



US00D406287S

United States Patent [19] Carver

[11] **Patent Number: Des. 406,287**

[45] **Date of Patent: **Mar. 2, 1999**

[54] **EXERCISE DEVICE**

5,643,159 7/1997 Iavarone 482/126
5,695,437 12/1997 Olschansky et al. 482/122

[76] Inventor: **Kathleen Carver**, 201 W. 85th St.,
#16A, New York, N.Y. 10024

Primary Examiner—Philip S. Hyder
Attorney, Agent, or Firm—Charles E. Temko

[**] Term: **14 Years**

[57] **CLAIM**

[21] Appl. No.: **83,689**

The ornamental design for an exercise device, as shown and described.

[22] Filed: **Feb. 17, 1998**

[51] **LOC (6) Cl.** **21-02**

[52] **U.S. Cl.** **D21/662**

[58] **Field of Search** D21/662, 684,
D21/692; 482/121, 122, 123, 124, 125,
126, 127

DESCRIPTION

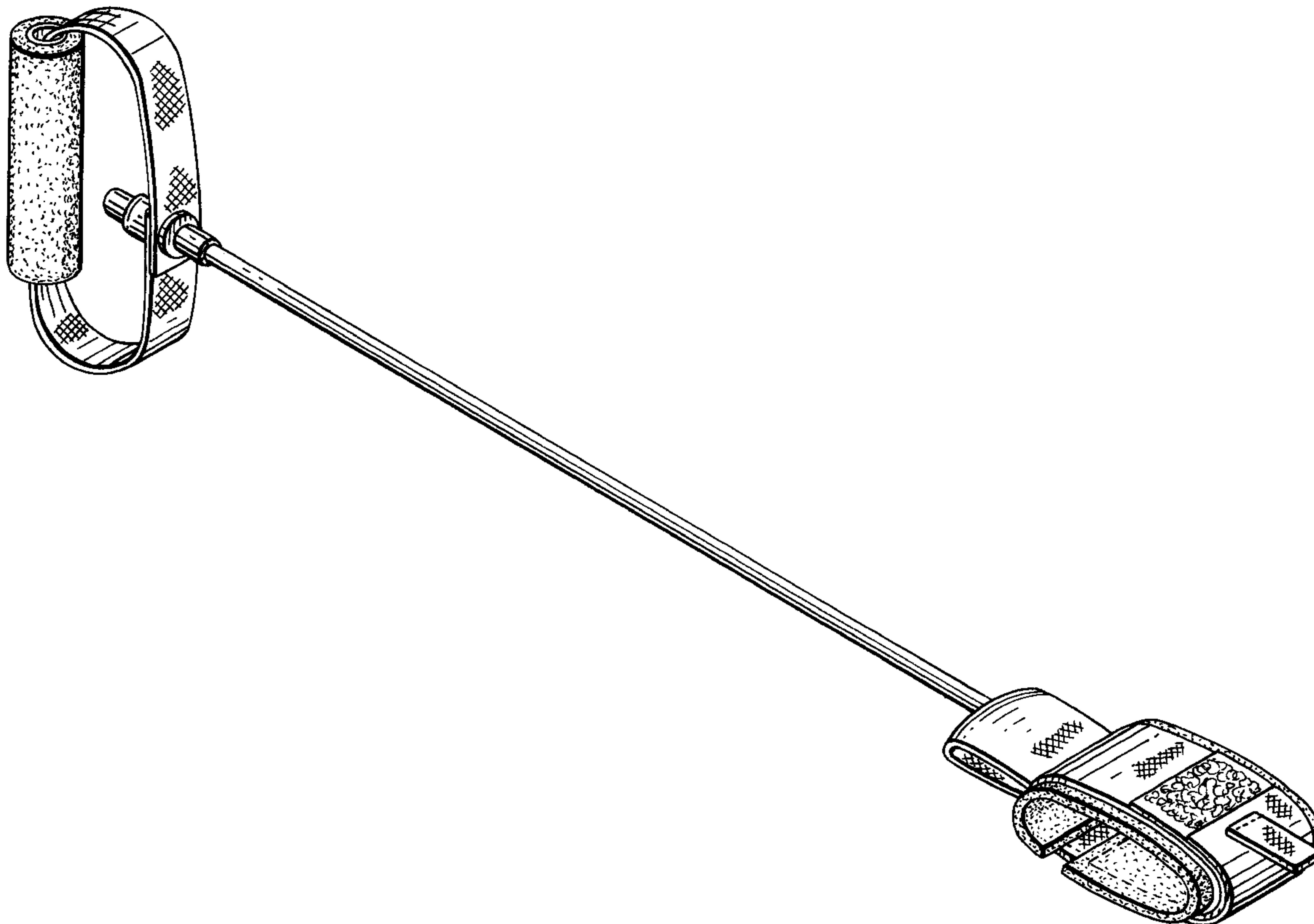
FIG. 1 is a view in perspective showing my new design for an exercise device;
FIG. 2 is a left side elevational view thereof;
FIG. 3 is a bottom plan view thereof;
FIG. 4 is a top plan thereof;
FIG. 5 is a front elevational view thereof; and,
FIG. 6 is a right side elevational view thereof.
The exercise device is shown fragmentarily in FIGS. 2, 5 and 6 for clarity of illustration.

[56] **References Cited**

U.S. PATENT DOCUMENTS

4,026,549	5/1977	Gunn	482/124
4,245,840	1/1981	Van Housen	482/124
5,100,129	3/1992	Porter et al.	482/125
5,263,916	11/1993	Bobich	482/125

1 Claim, 3 Drawing Sheets



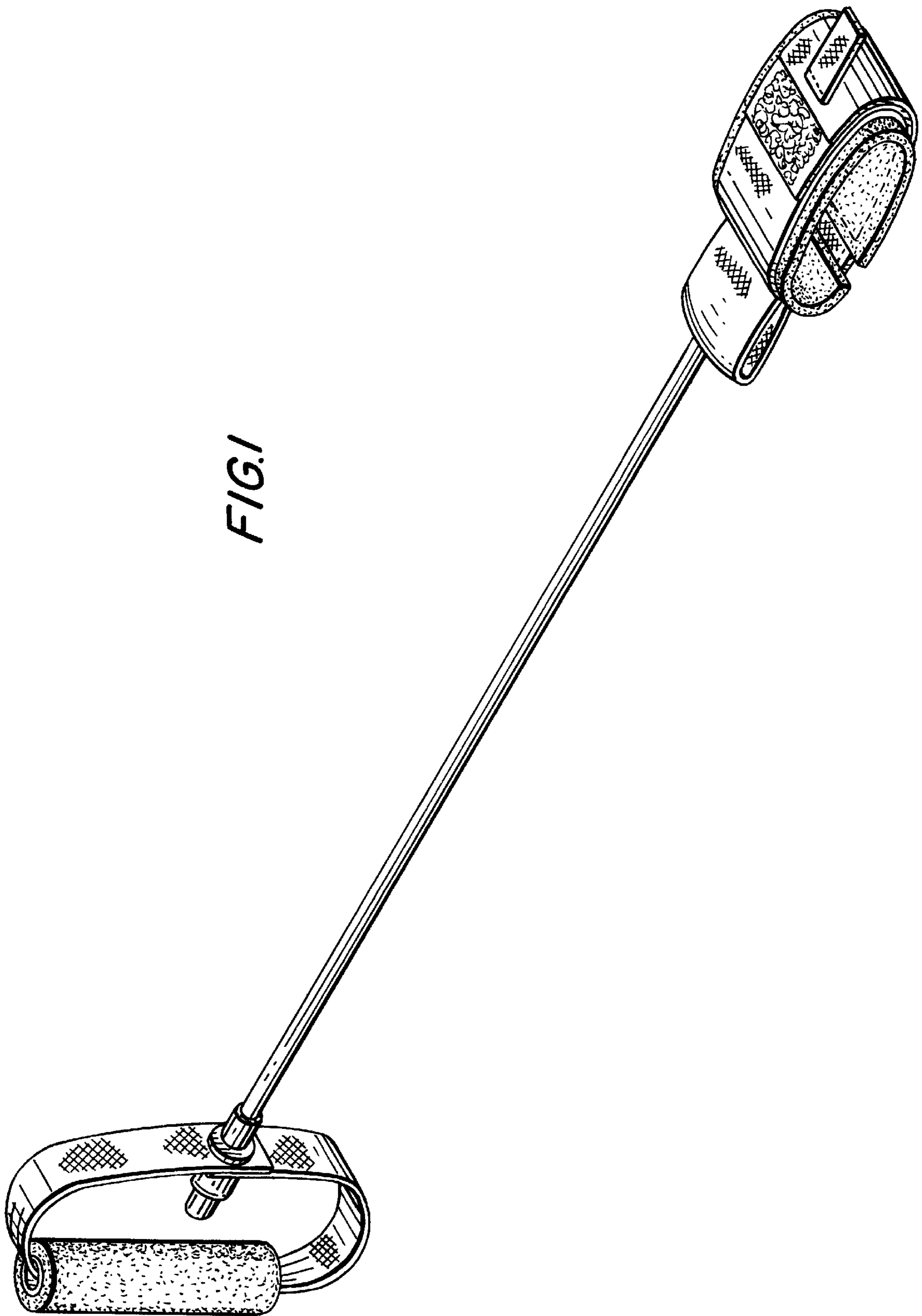


FIG. 1

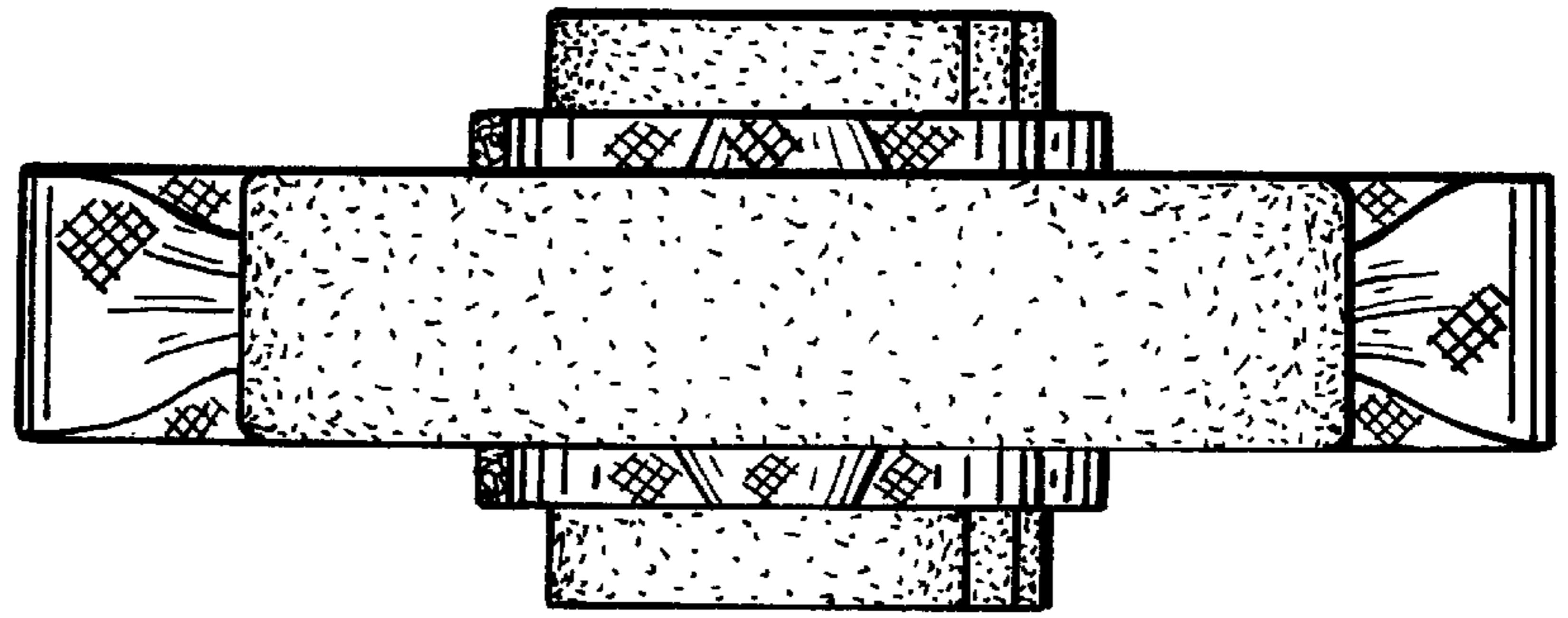
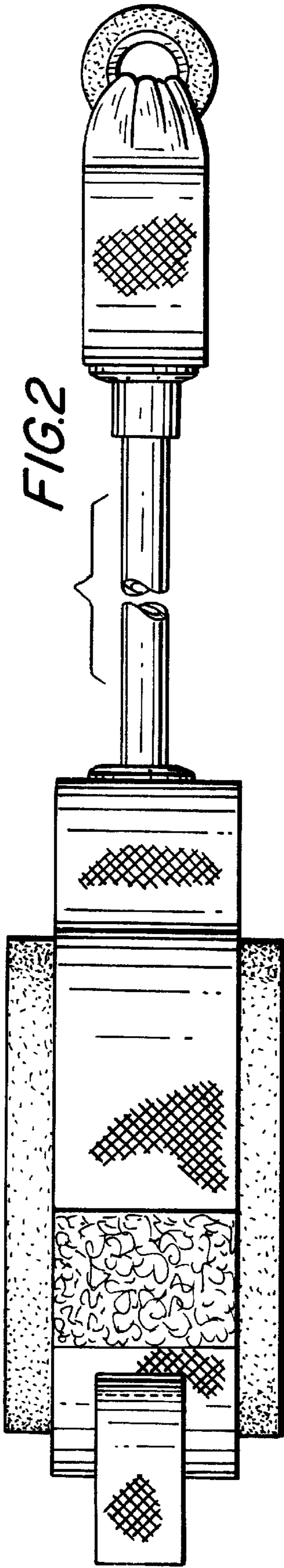


FIG. 4

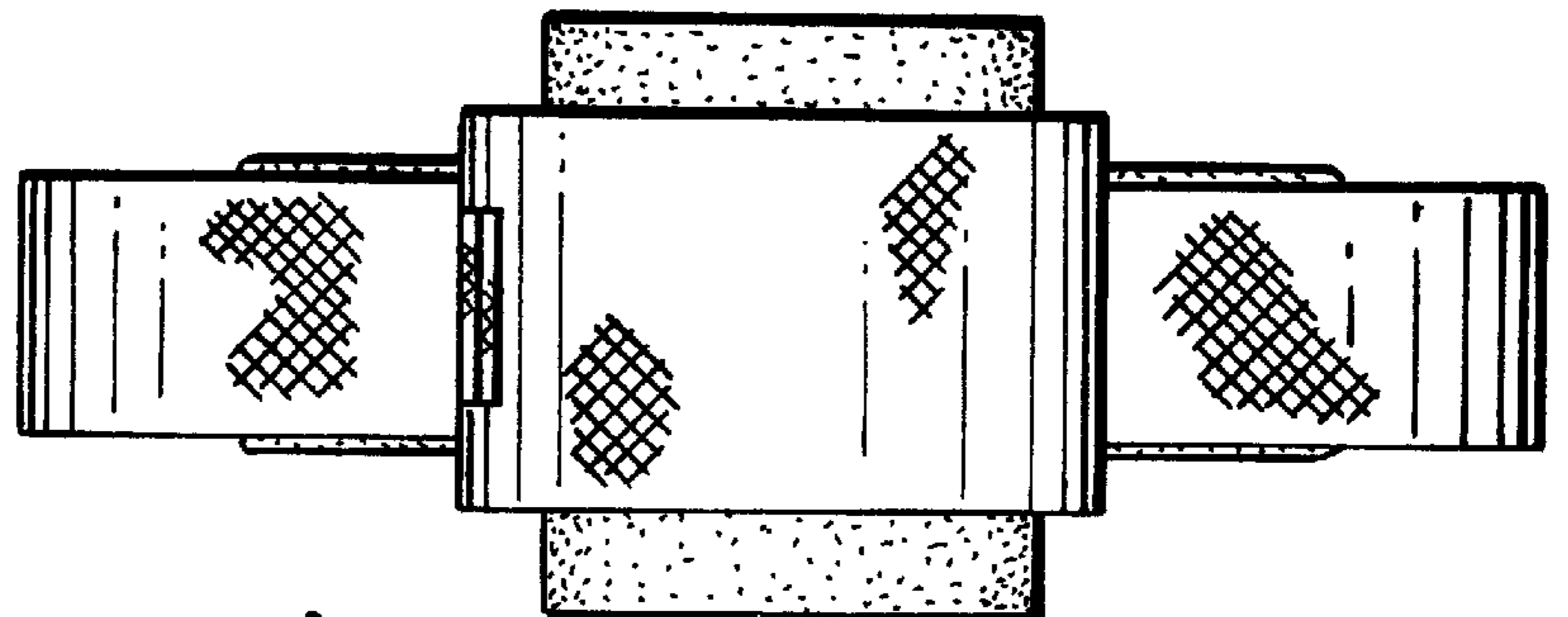


FIG. 3

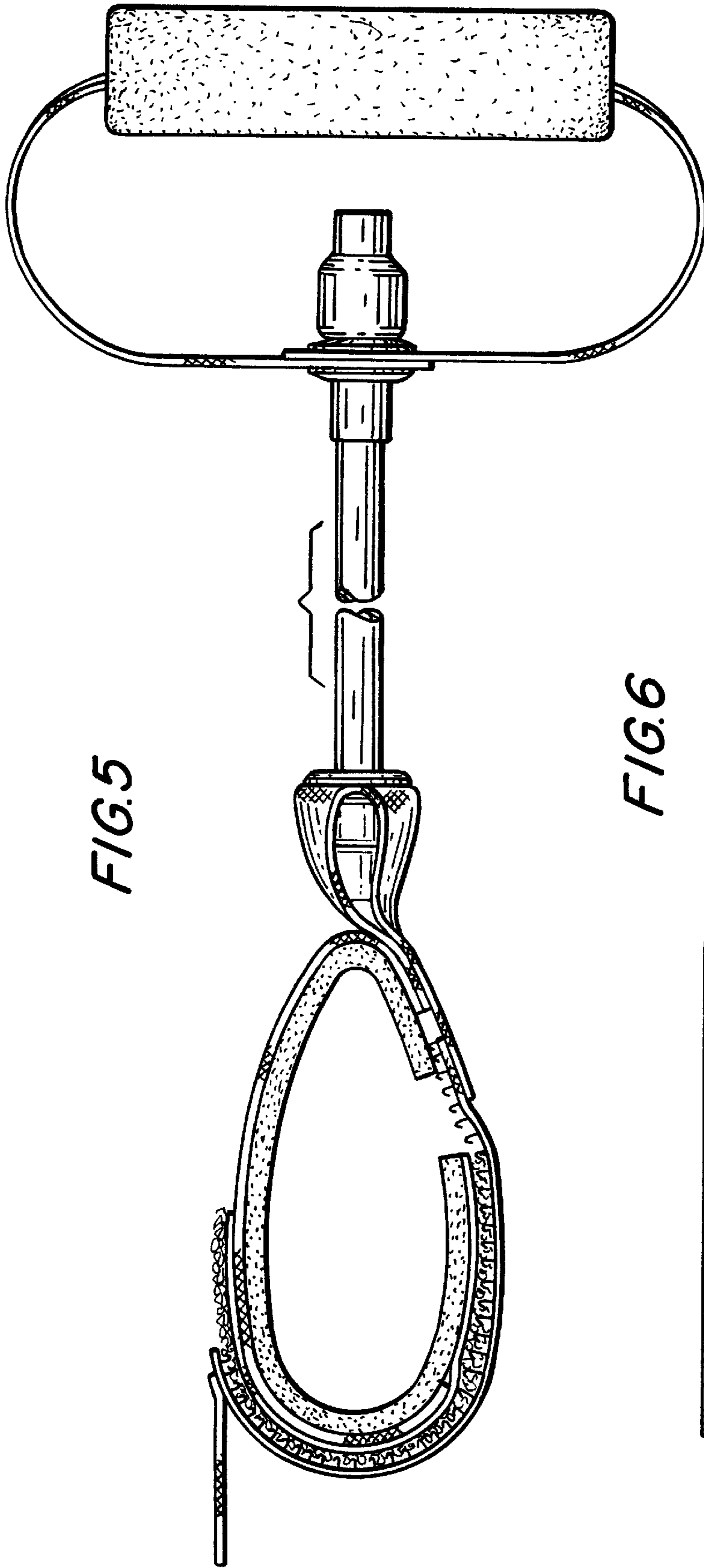


FIG. 5

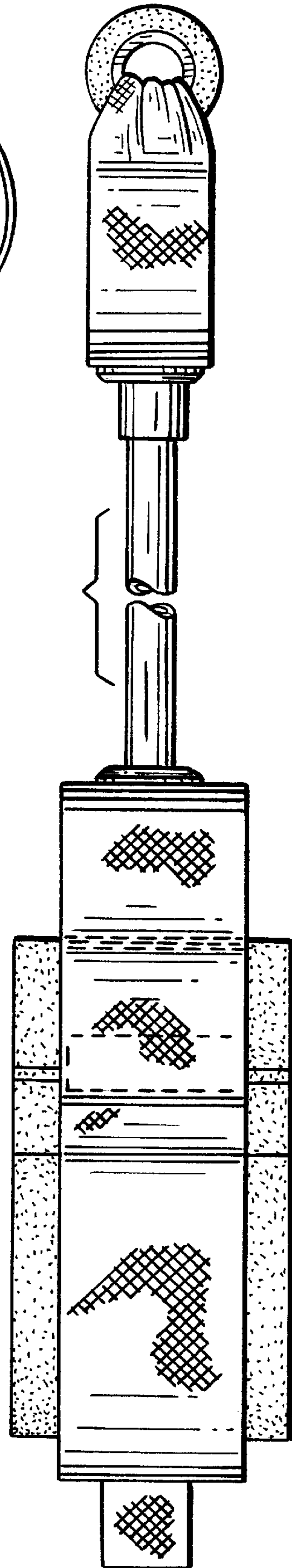


FIG. 6