



US00D406286S

United States Patent [19]
Chen

[11] **Patent Number: Des. 406,286**

[45] **Date of Patent: **Mar. 2, 1999**

[54] **EXERCISE APPARATUS**

[76] Inventor: **Chih-Liang Chen**, No. 10, Lane 1431,
Kuanghsing Rd., Pateh City, Taoyuan
Hsien, Taiwan

[**] Term: **14 Years**

[21] Appl. No.: **80,476**

[22] Filed: **Dec. 9, 1997**

[51] **LOC (6) Cl.** **21-02**

[52] **U.S. Cl.** **D21/662**

[58] **Field of Search** D21/191, 195,
D21/198; 482/138, 142, 140, 134

[56] **References Cited**

U.S. PATENT DOCUMENTS

D. 342,106	12/1993	Campbell et al.	D21/191
D. 347,868	6/1994	Hill	D21/191
D. 348,491	7/1994	Diep	D21/191
D. 353,419	12/1994	Sprague	D21/191
D. 355,002	1/1995	Bengtson	D21/191
D. 355,458	2/1995	Chen	D21/191
5,110,122	5/1992	Moore et al.	482/142

Primary Examiner—Philip S. Hyder
Attorney, Agent, or Firm—Kolisch Hartwell Dickinson
McCormack & Heuser

[57] **CLAIM**

The ornamental design for an exercise apparatus, as shown
and described.

DESCRIPTION

FIG. 1 is a perspective view from the front-left-top side of
an exercise apparatus showing my design;

FIG. 2 is a front elevational view thereof;

FIG. 3 is a rear elevational view thereof;

FIG. 4 is a left side elevational view thereof;

FIG. 5 is a right side elevational view thereof;

FIG. 6 is a top plan view thereof;

FIG. 7 is a bottom plan view thereof;

FIG. 8 is a right side elevational view thereof, wherein the
back rest is in an alternate position and the resistance
apparatus is extended, the broken line portion of the view
being for illustrative purpose only and forming no part of the
claimed design;

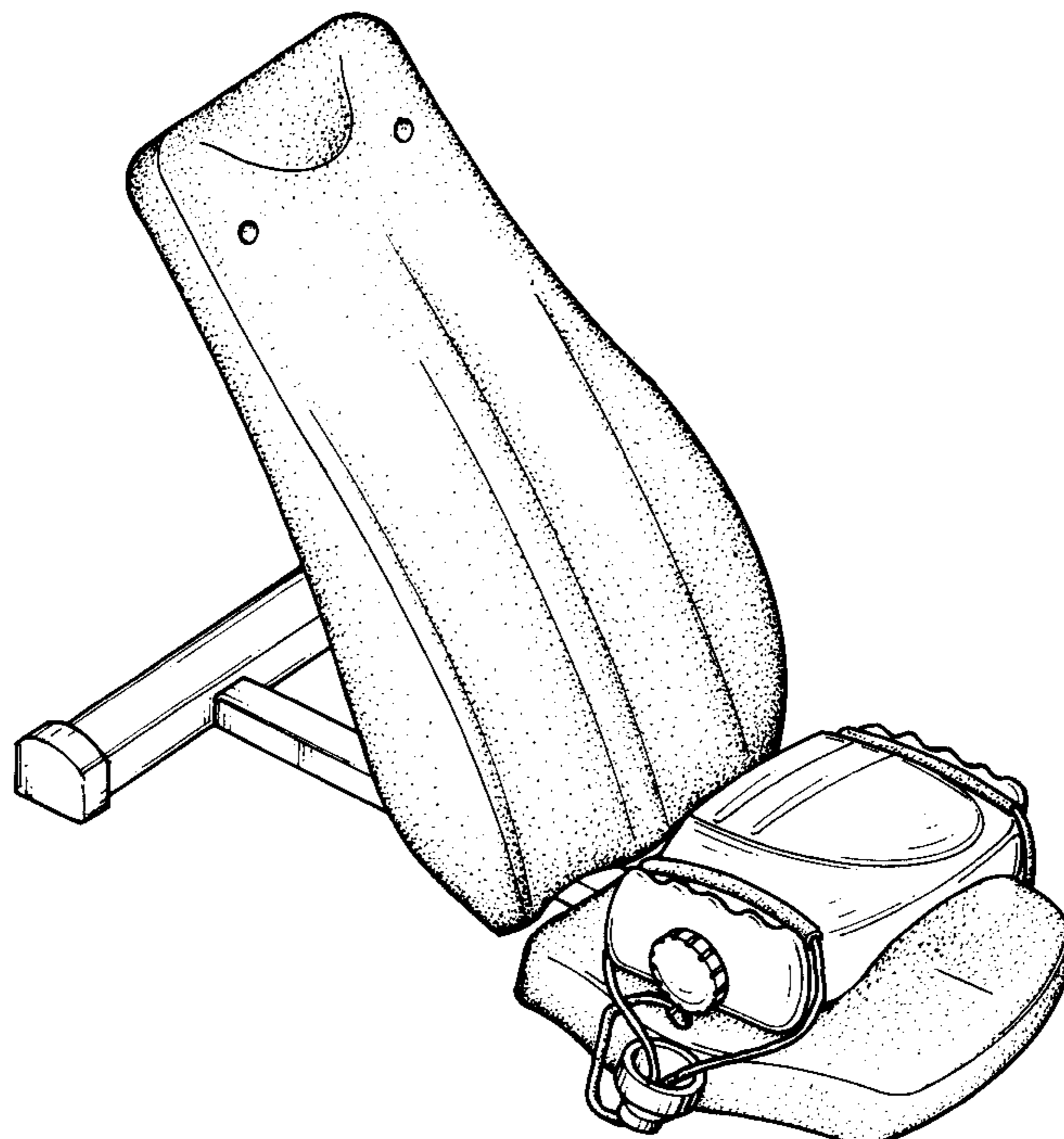
FIG. 9 is a right side elevational view thereof, wherein the
resistance member is in an alternate position and the
abdominal member has been removed, the broken line
portion of the view being for illustrative purpose only and
forming no part of the claimed design;

FIG. 10 is a front view of the exercise apparatus in a state
as described in FIG. 9, the broken line portion of the view
being for illustrative purpose only and forming no part of the
claimed design;

FIG. 11 is a right side elevational view similar to FIG. 8,
wherein the resistance member is in an extended state and
the abdominal member has been removed, the broken line
portion of the view being for illustrative purpose only and
forming no part of the claimed design; and,

FIG. 12 is a front view of the exercise apparatus in a state
as described in FIG. 11, the broken line portion of the view
being for illustrative purpose only and forming no part of the
claimed design.

1 Claim, 9 Drawing Sheets



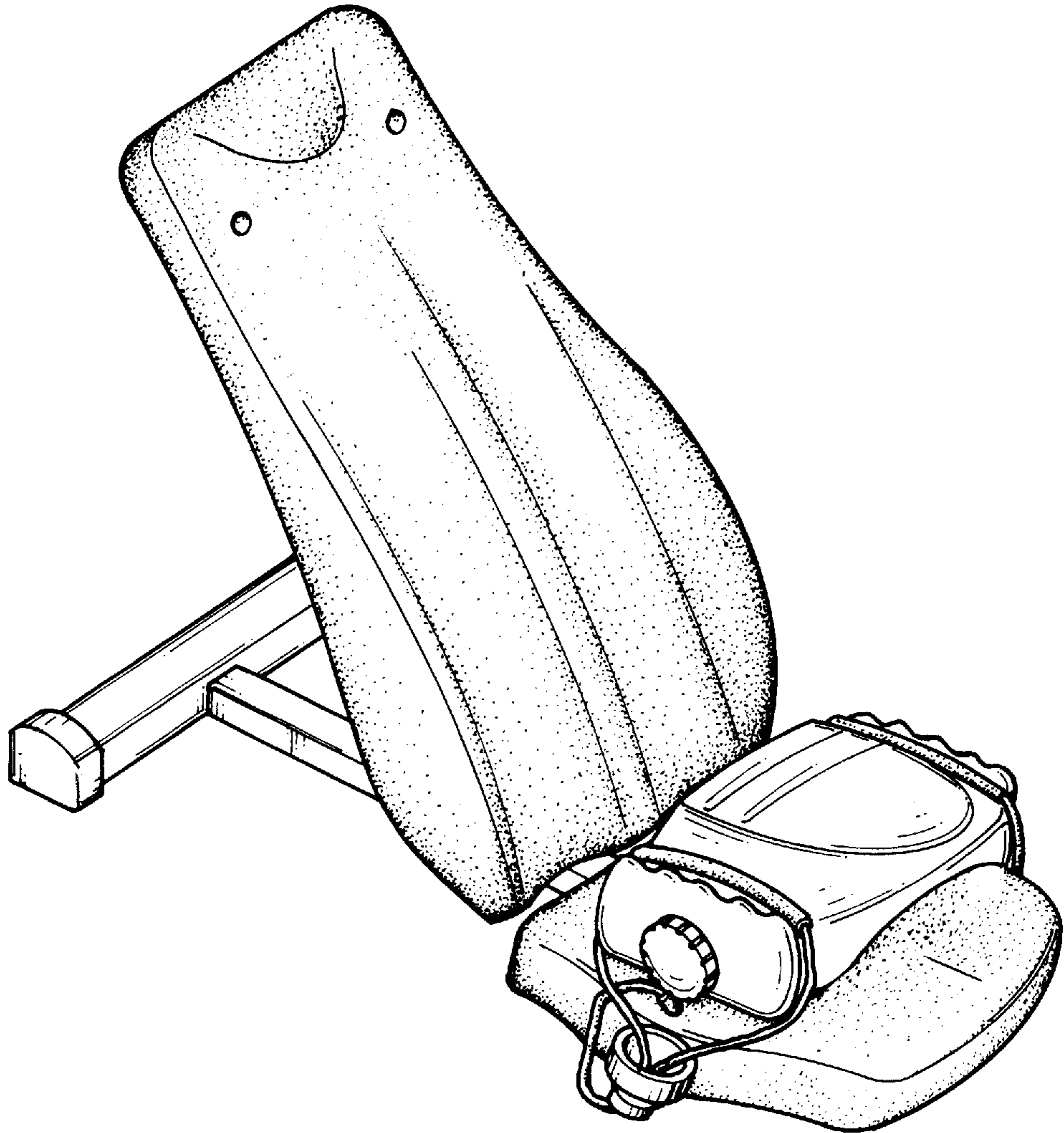


FIG. 1

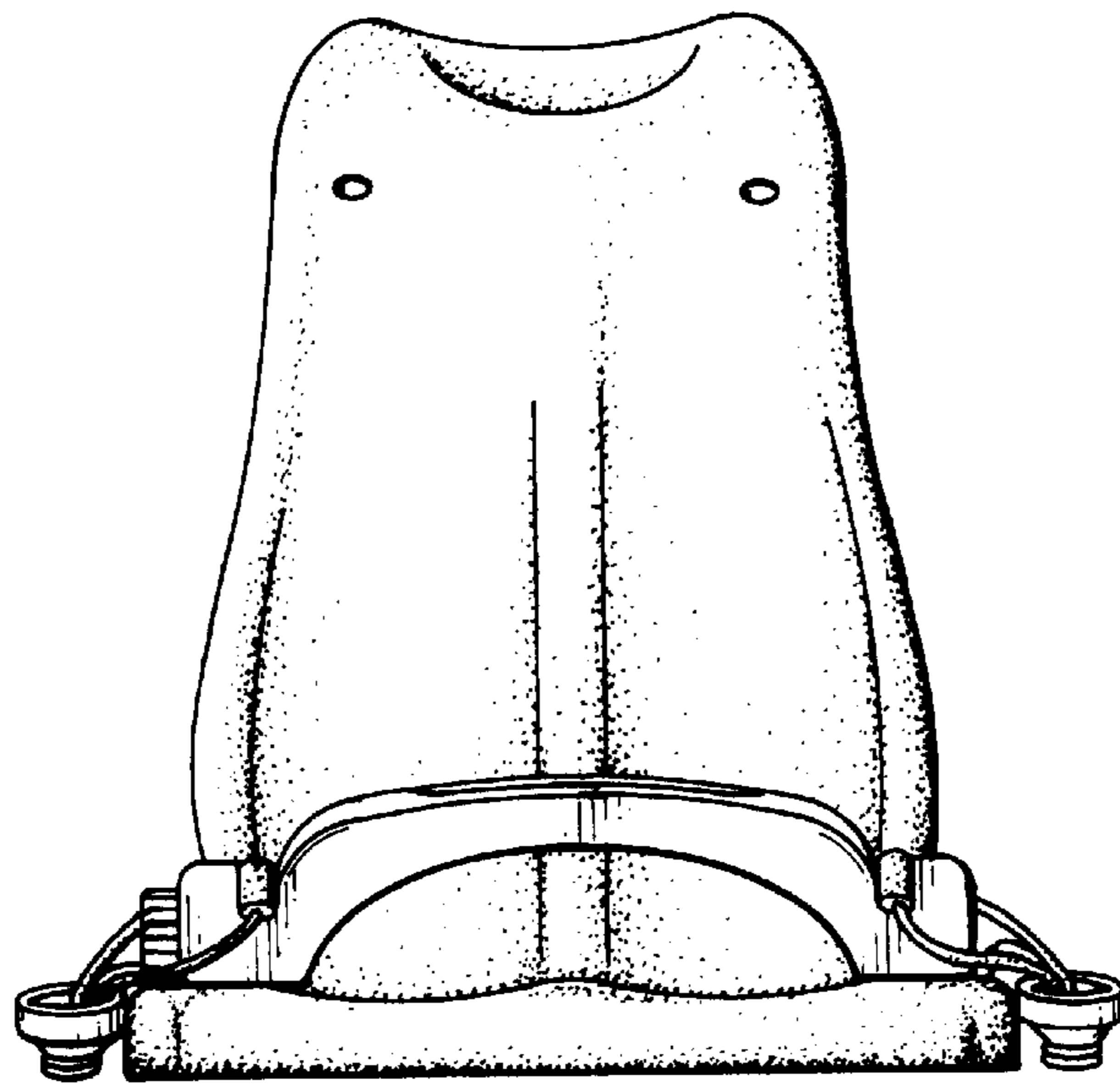


FIG. 2

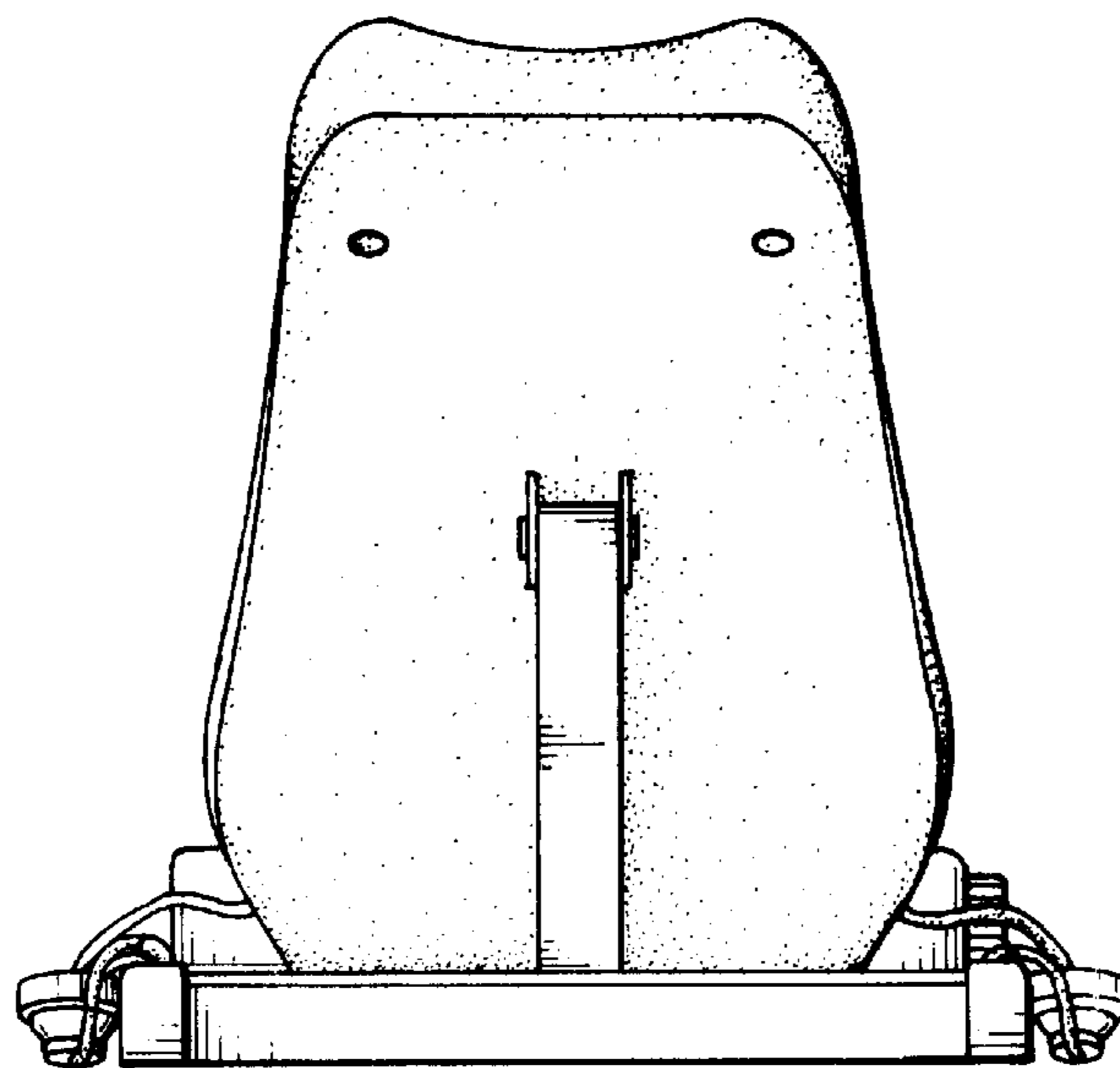


FIG. 3

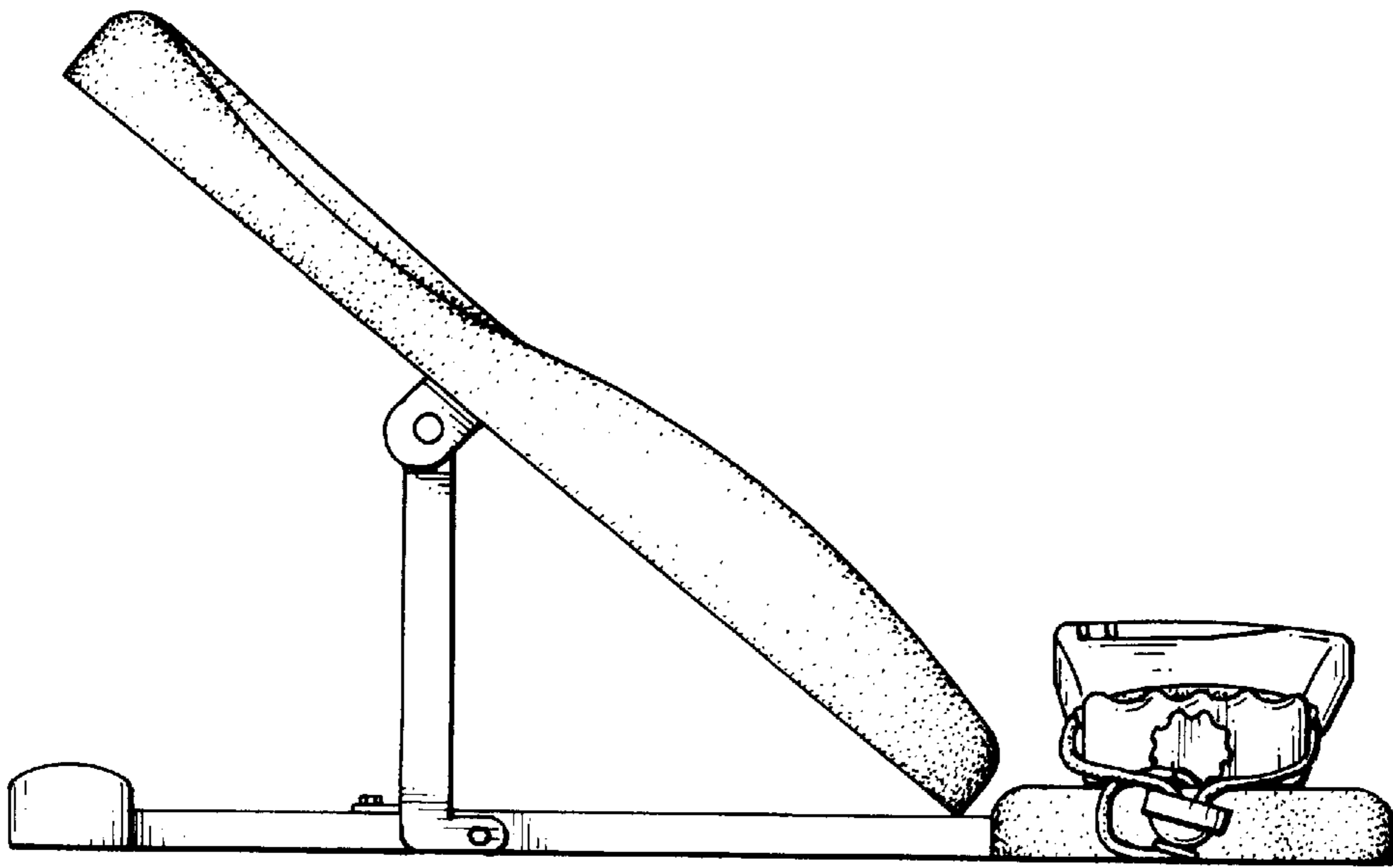


FIG. 4

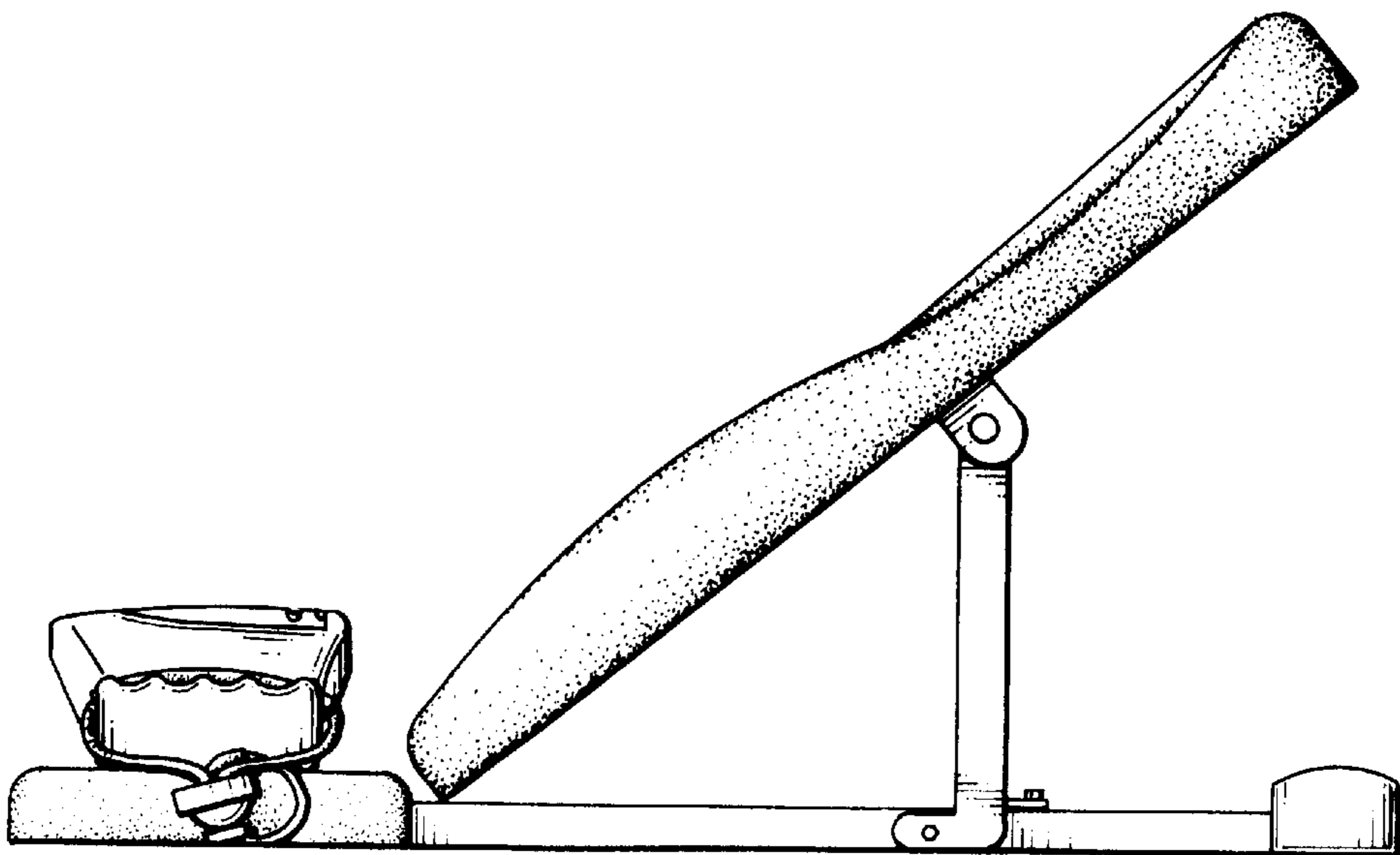


FIG. 5

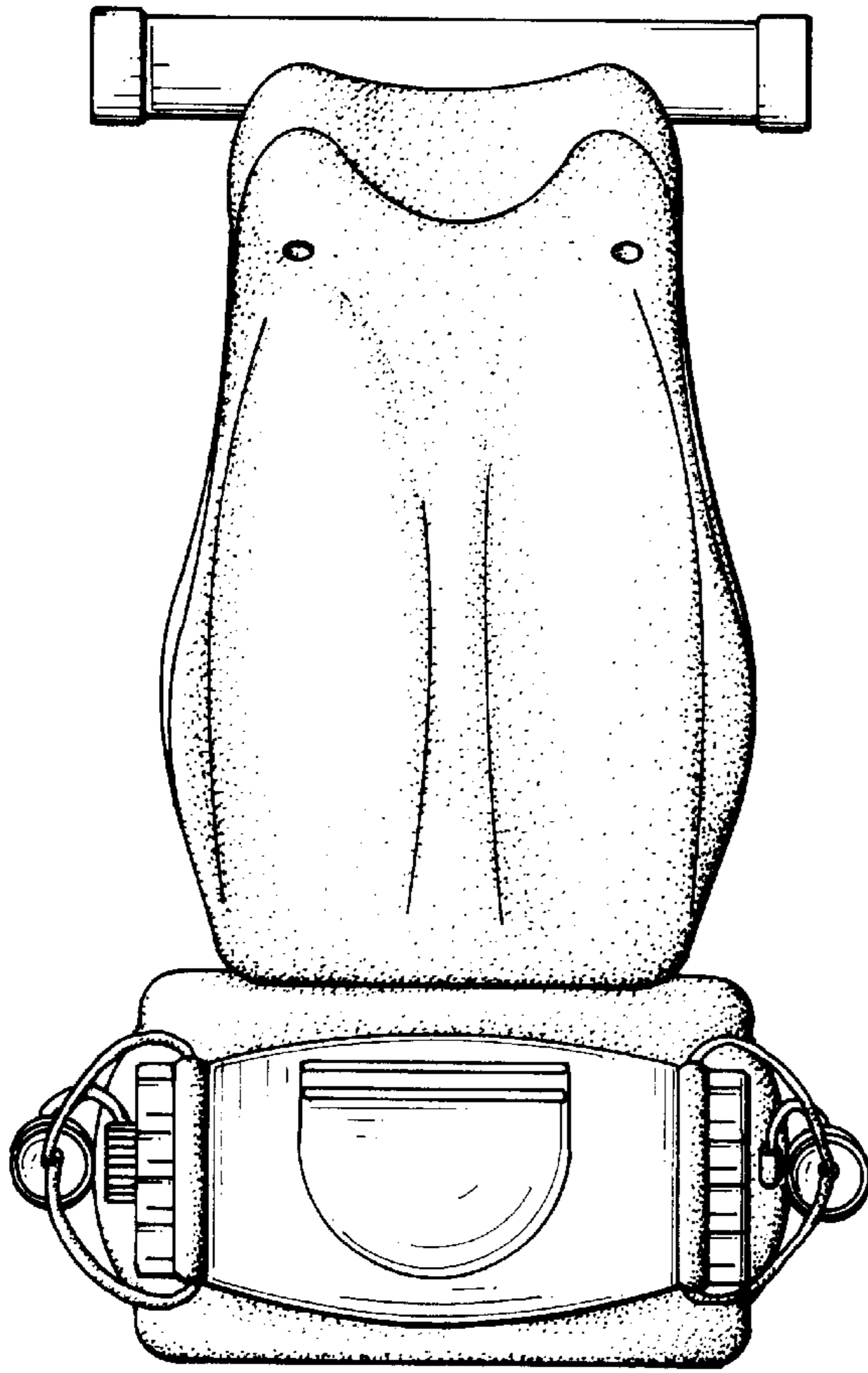


FIG. 6

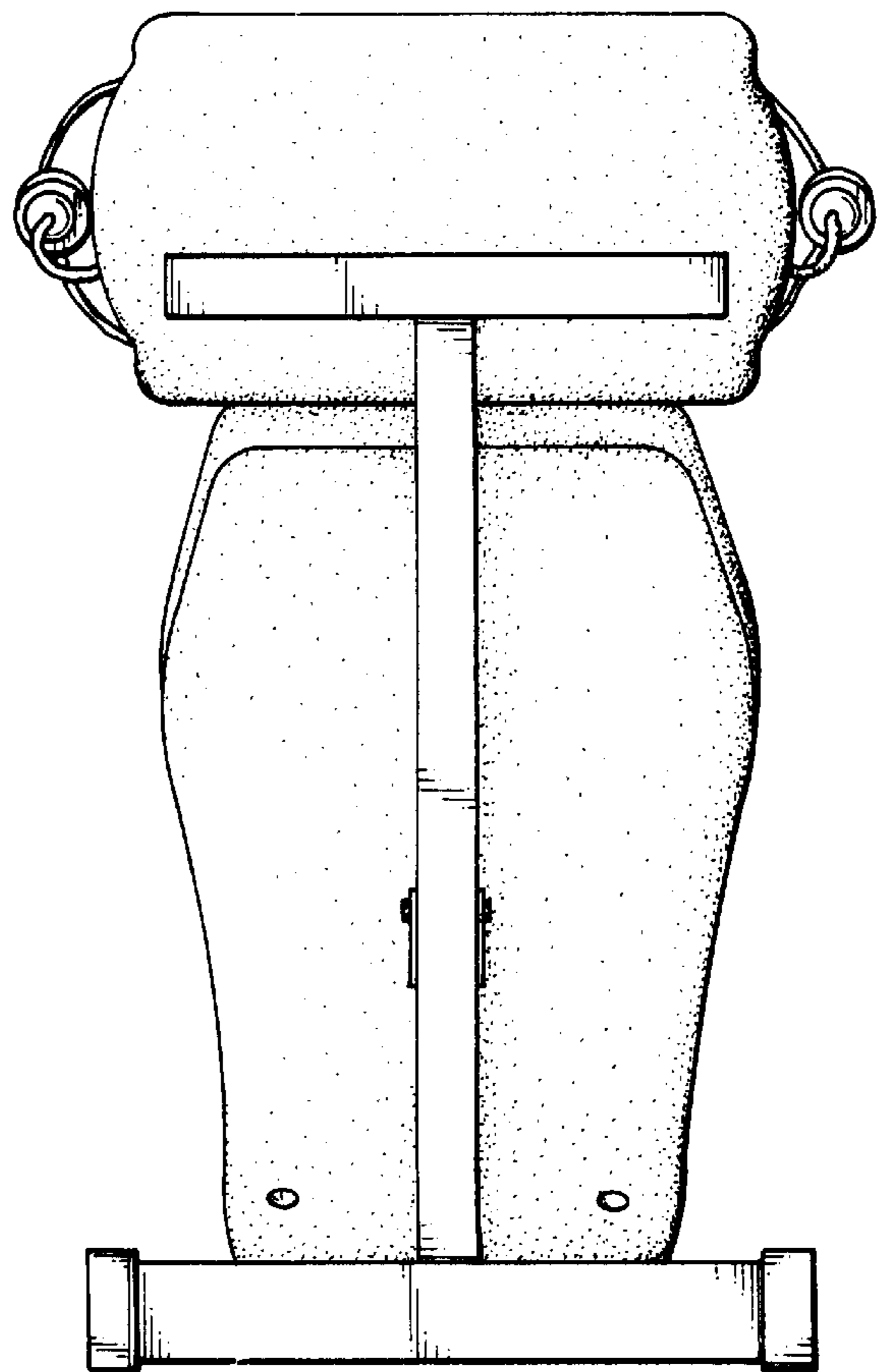


FIG. 7

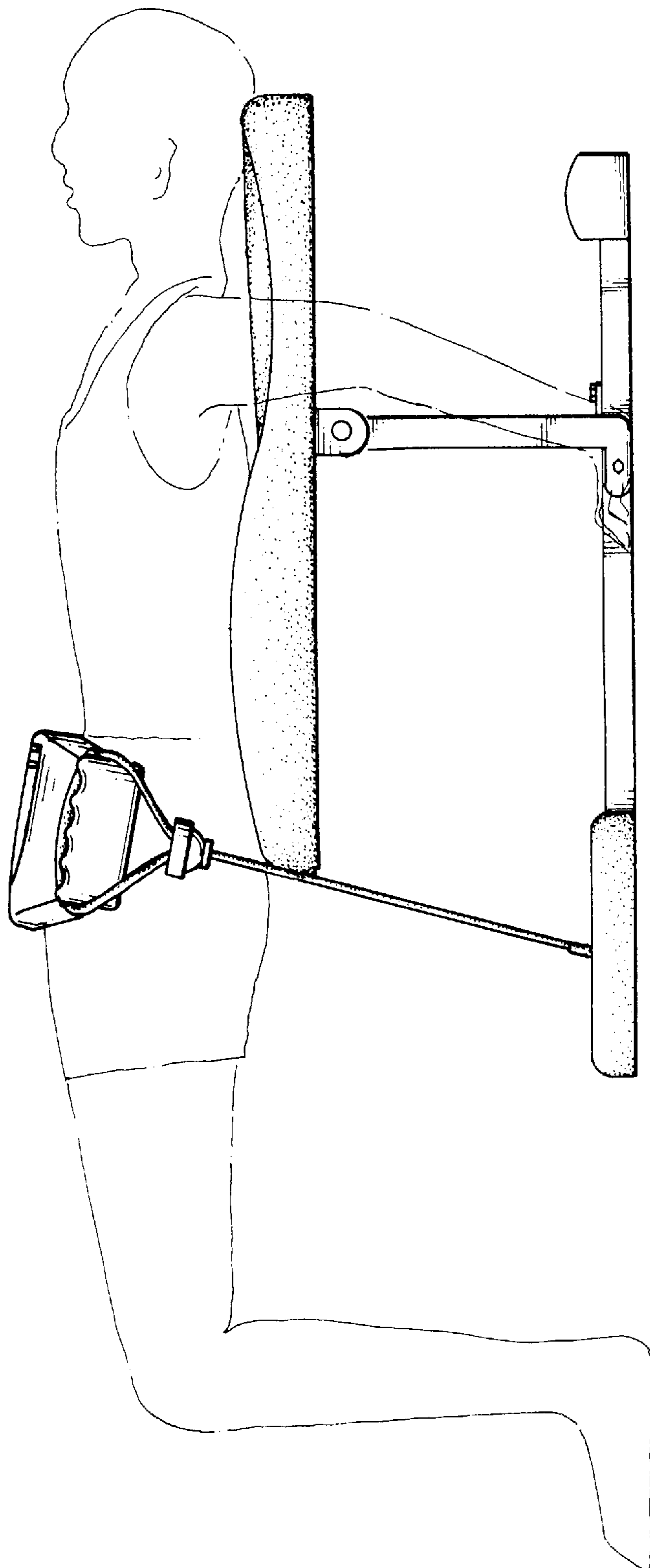


FIG. 8



FIG. 9

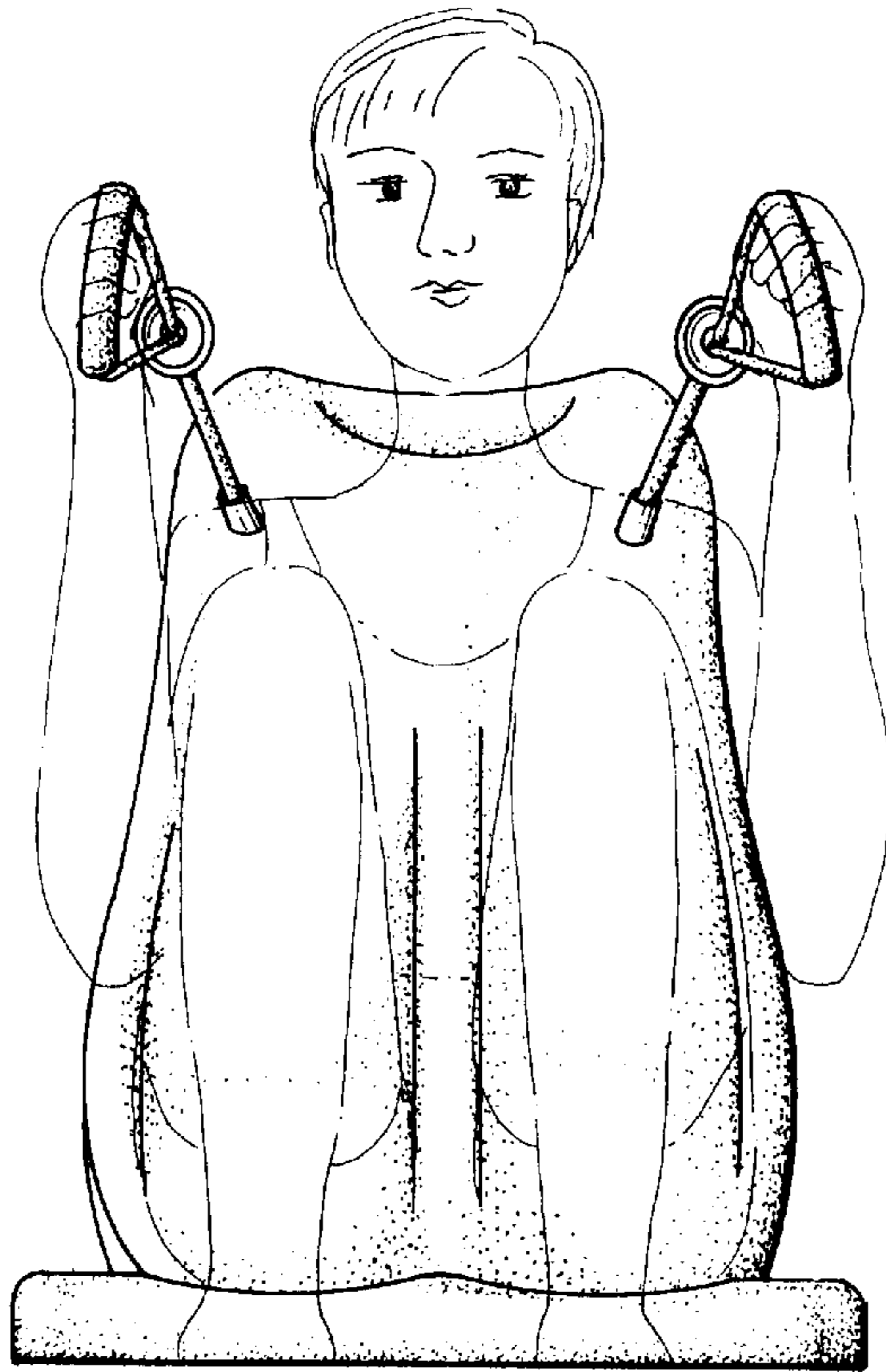


FIG.10

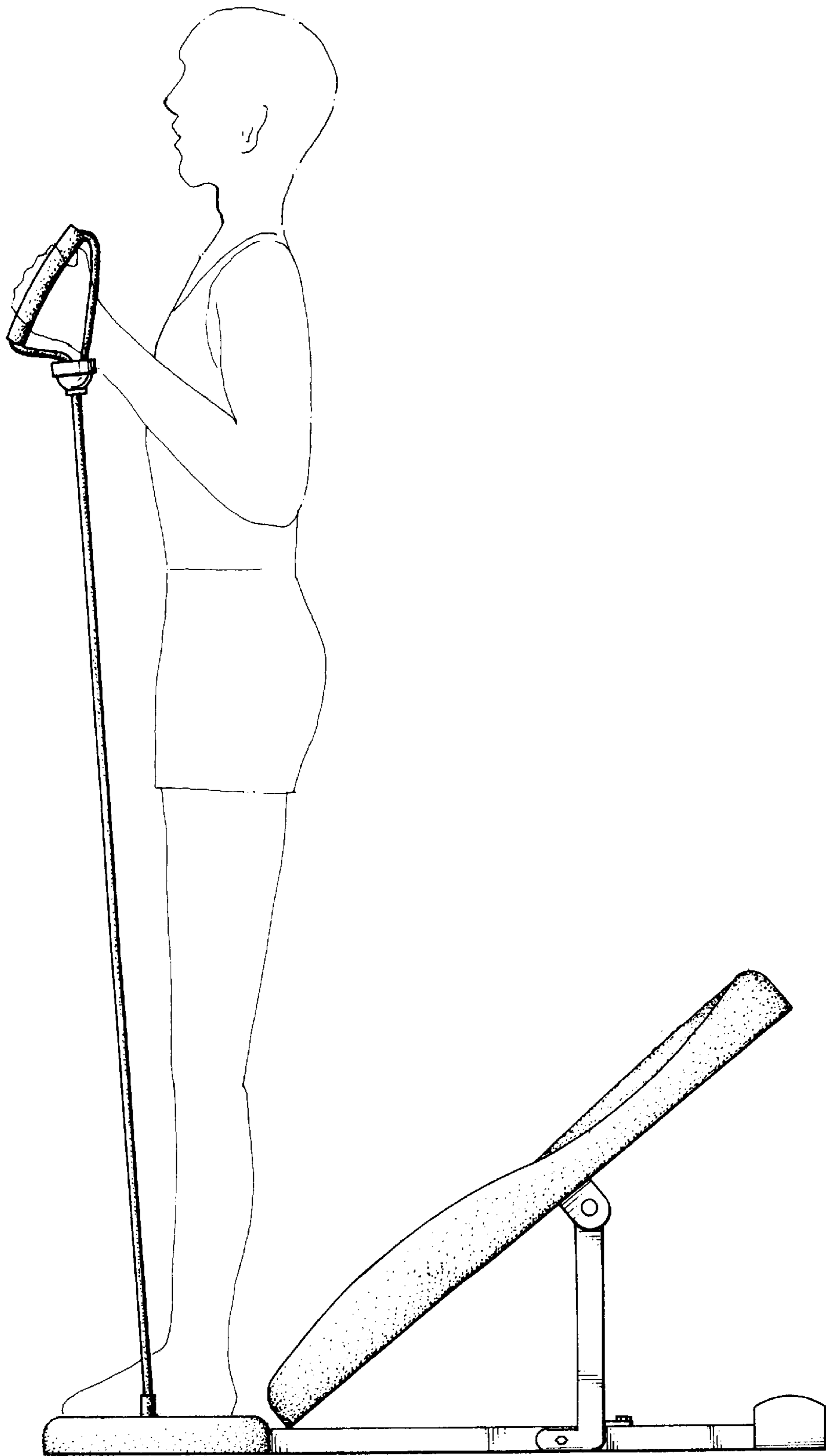


FIG. 11

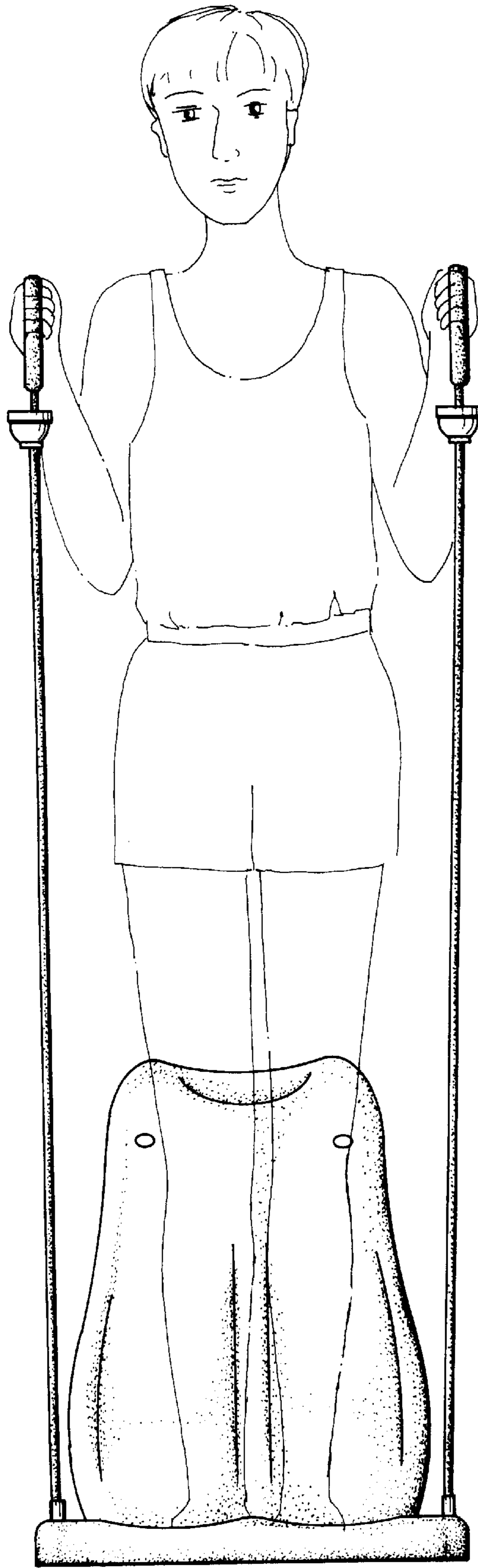


FIG.12