



US00D406273S

# United States Patent [19]

Dwyer et al.

[11] Patent Number: **Des. 406,273**

[45] Date of Patent: **\*\*\*Mar. 2, 1999**

[54] **INKJET PRINTER WITH ENVELOPE FEEDER**

[75] Inventors: **Daniel R. Dwyer**, Battle Ground; **Gene D. Jones**, Yacolt; **Thomas E McCue, Jr.**, Vancouver; **Michael K. Bowen**, Vancouver; **Stephen G Brown**, Vancouver; **Michael M. Leon**, Washougal, all of Wash.; **Jan Hippen**, Portland, Oreg.; **David M Thorpe**, Portland, Oreg.; **Henry Y Chin**, Portland, Oreg.; **Thomas J Froning**, Lyons, Oreg.

[73] Assignee: **Hewlett-Packard Company**, Palo Alto, Calif.

[\*\*] Term: **14 Years**

[\*] Notice: The term of this patent shall not extend beyond the expiration date of Pat. No. D. 373,380.

[21] Appl. No.: **76,373**

[22] Filed: **Sep. 9, 1997**

### Related U.S. Application Data

[63] Continuation of Ser. No. 59,969, Sep. 19, 1996, which is a continuation of Ser. No. 35,558, Mar. 2, 1995, abandoned.

[51] **LOC (6) Cl.** ..... **18-02**

[52] **U.S. Cl.** ..... **D18/55**

[58] **Field of Search** ..... 400/613, 613.1-613.4, 400/690, 691-694, 690.1-690.4; D18/50, 54, 55

[56] **References Cited**

### U.S. PATENT DOCUMENTS

D. 356,818	3/1995	Seking et al. ....	D18/55
D. 363,506	10/1995	Inukai .....	D18/55
D. 369,180	4/1996	Fukaya et al. ....	D18/50
D. 370,026	5/1996	McGlashan .....	D18/55
D. 373,378	9/1996	Brown et al. ....	D18/55
D. 373,380	9/1996	Dwyer et al. ....	D18/55
D. 376,615	12/1996	Dubson .....	D18/50
D. 378,757	4/1997	Dubson .....	D18/55
D. 379,828	6/1997	Dubson .....	D18/55
D. 382,894	8/1997	Berriman et al. ....	D18/55
D. 388,405	12/1997	Lin .....	D18/50
D. 390,257	2/1998	Dwyer et al. ....	D18/55
D. 390,258	2/1998	Kawahara et al. ....	D18/55
5,620,269	4/1997	Gustafson .....	400/691

*Primary Examiner*—Cathy Anne MacCormac  
*Attorney, Agent, or Firm*—Flory L. Martin

[57] **CLAIM**

The ornamental design for an inkjet printer with envelope feeder, as shown and described.

### DESCRIPTION

FIG. 1 is a perspective view of an inkjet printer with envelope feeder in accordance with the present invention; FIG. 2 is a top plan view thereof; FIG. 3 is a front elevational view thereof; FIG. 4 is a bottom plan view thereof; FIG. 5 is a rear elevational view thereof; FIG. 6 is a right side elevational view thereof; and, FIG. 7 is a left side elevational view thereof.

**1 Claim, 6 Drawing Sheets**

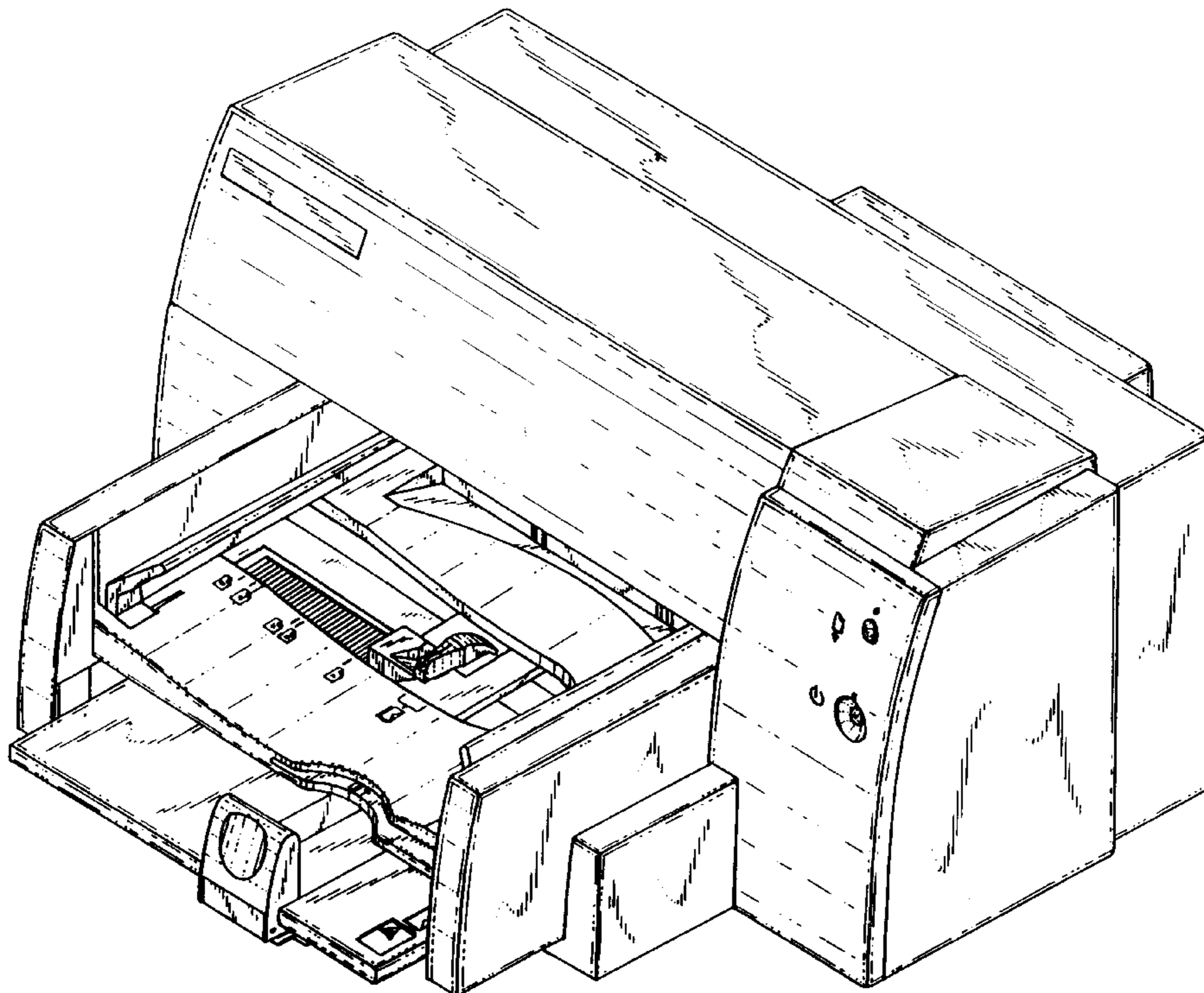
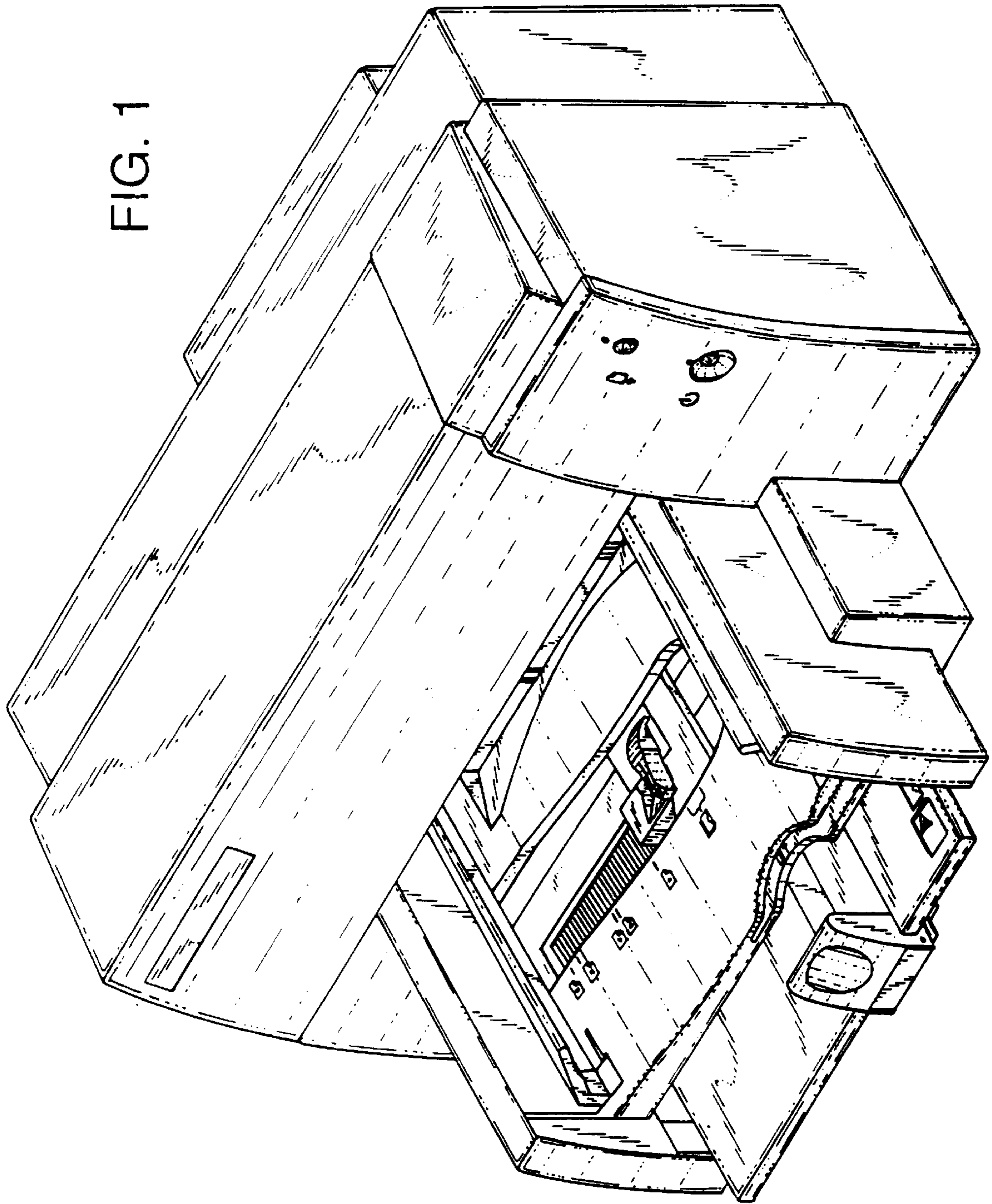


FIG. 1



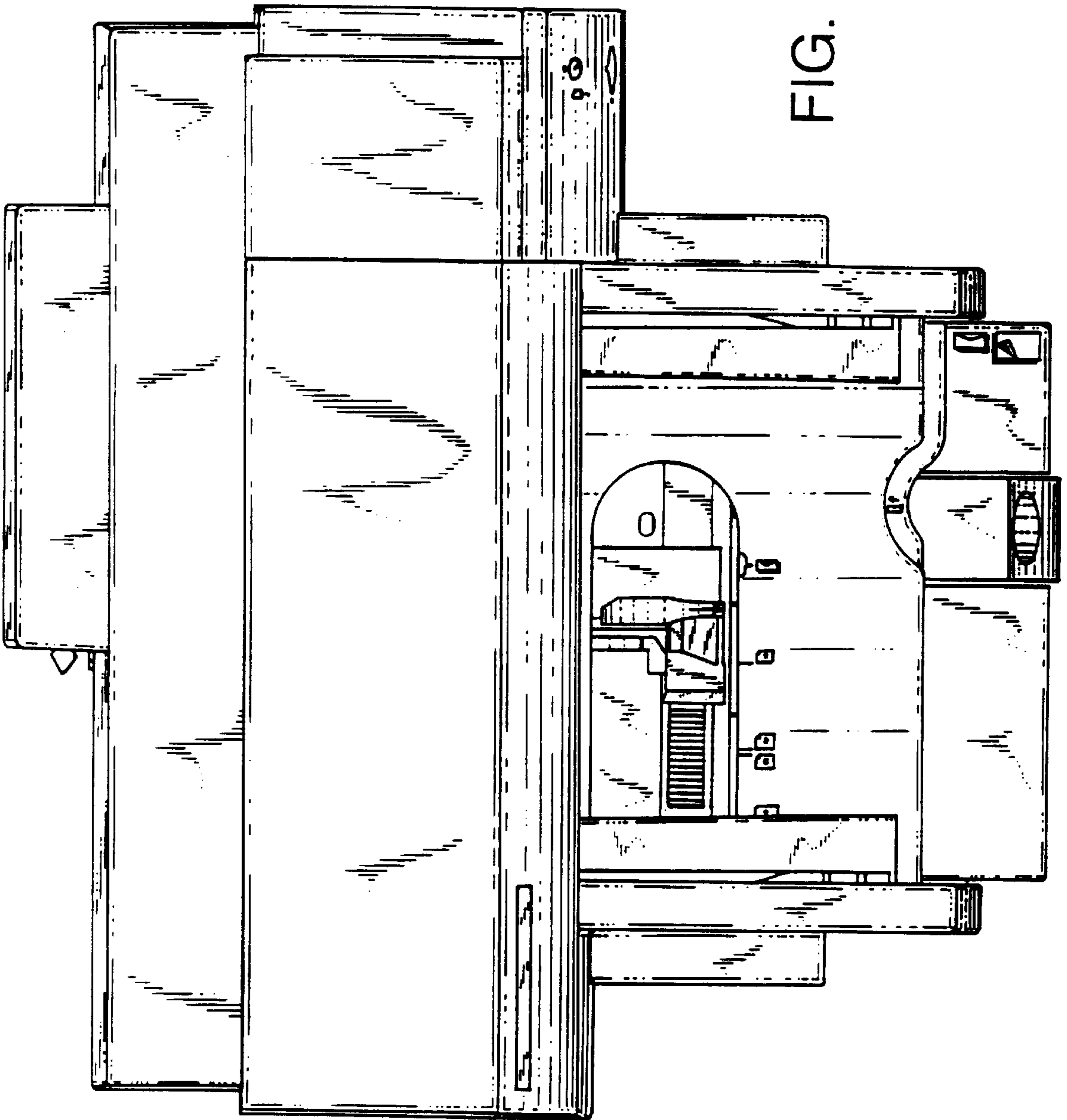


FIG. 2

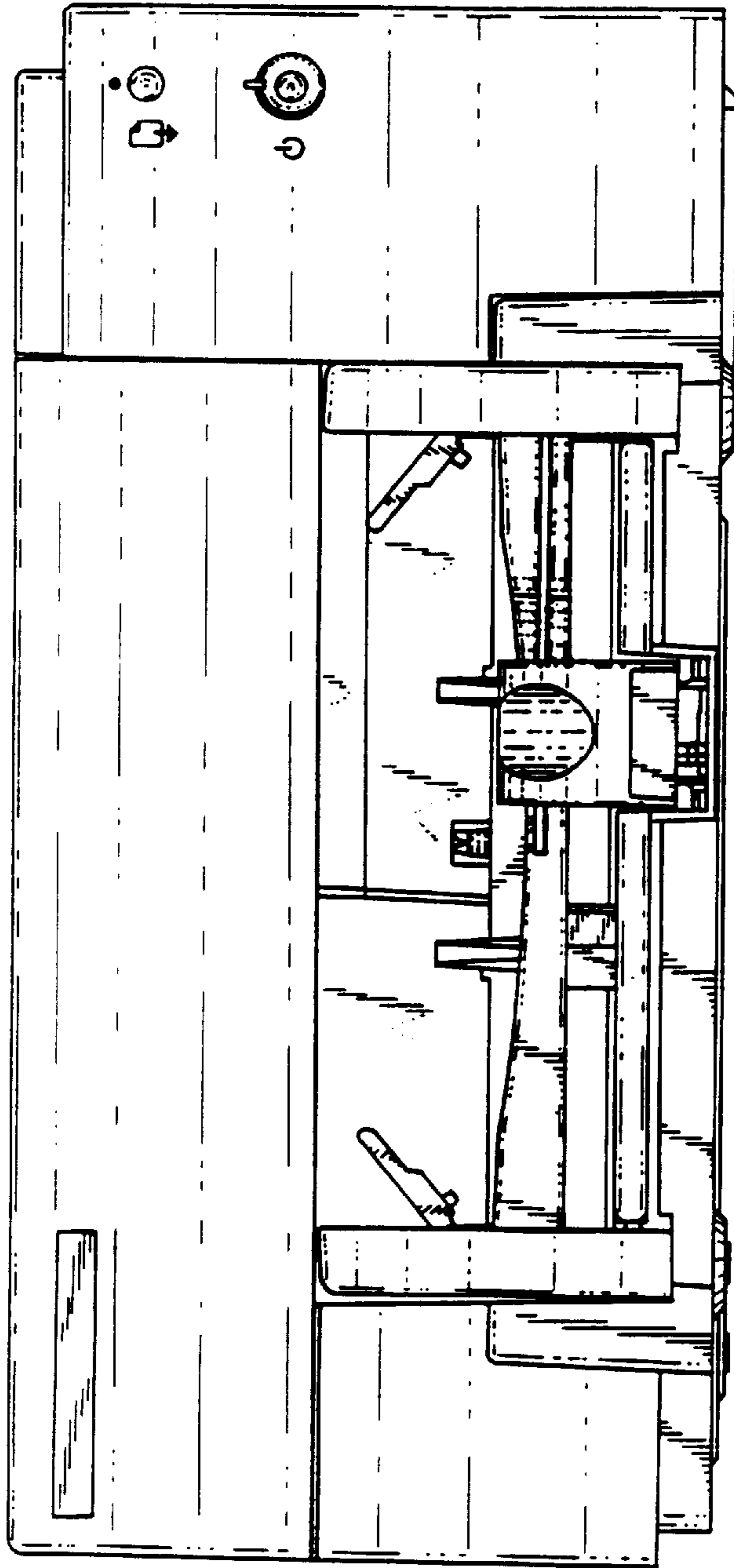
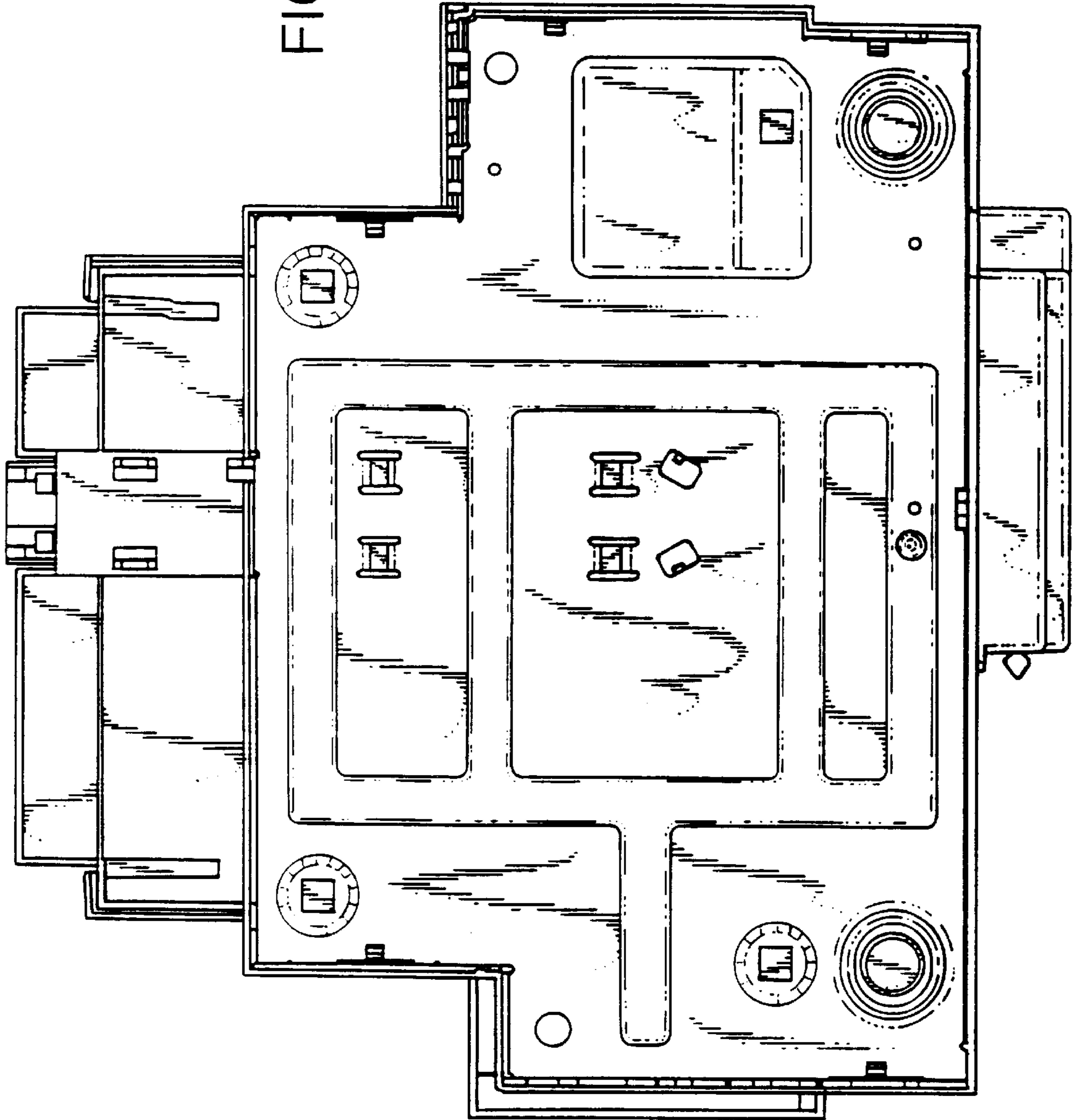


FIG. 3

FIG. 4



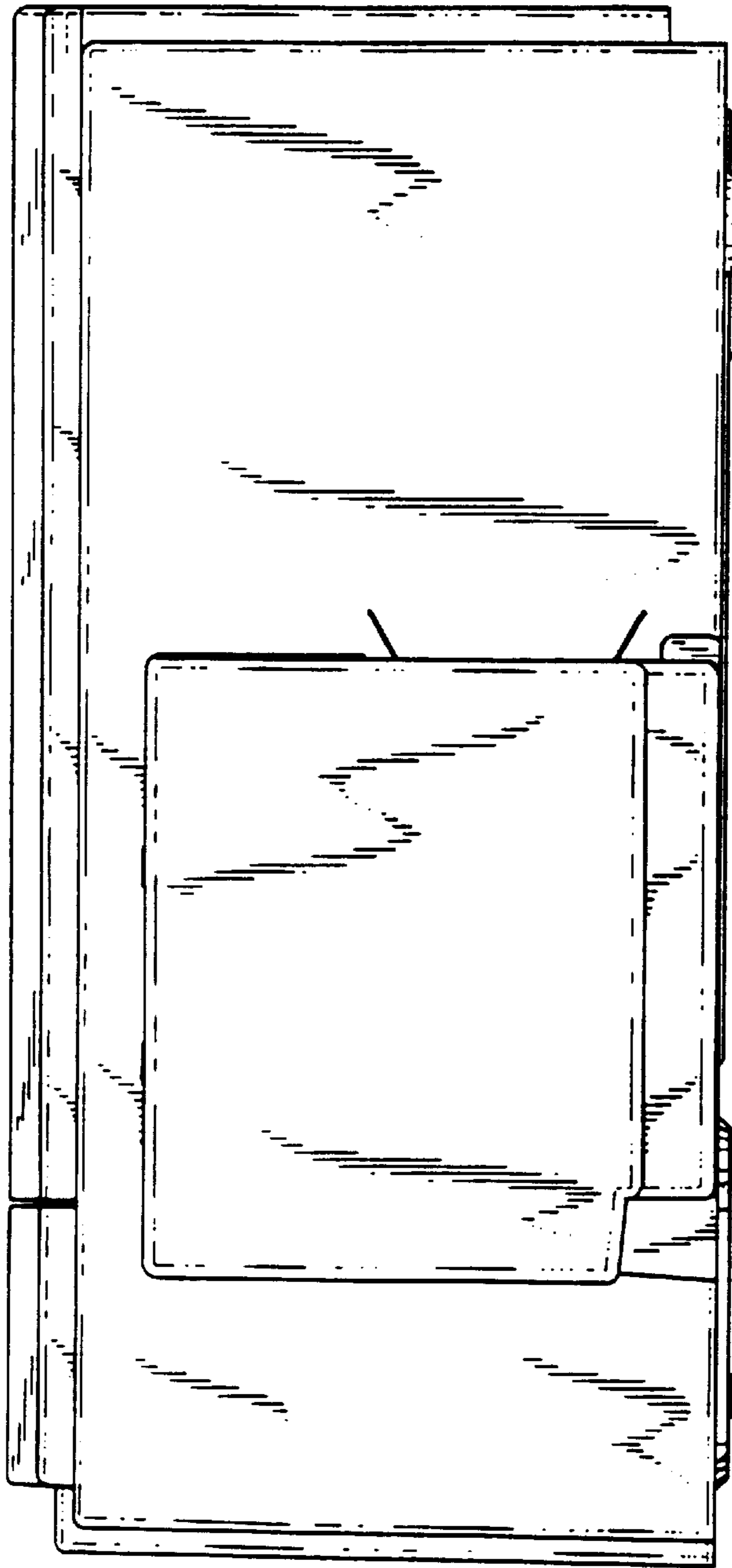


FIG. 5

