



US00D406270S

United States Patent [19]

[11] **Patent Number: Des. 406,270**

Postrel et al.

[45] **Date of Patent: **Mar. 2, 1999**

[54] **PORTABLE POINT OF SALE DEVICE**

| | | |
|-----------|---------|------------------|
| 2205428 | 12/1988 | United Kingdom . |
| WO9001199 | 2/1990 | WIPO . |
| WO9202903 | 2/1992 | WIPO . |
| WO9503595 | 2/1995 | WIPO . |
| WO9523390 | 8/1995 | WIPO . |
| WO9704426 | 2/1997 | WIPO . |

[75] Inventors: **Richard D. Postrel**, Miami Beach, Fla.;
Steven J. Shiozaki, Belmont; **Kenneth R. Haven**, Fremont, both of Calif.

[73] Assignee: **SkyTeller, L.L.C.**, Englewood, Colo.

OTHER PUBLICATIONS

[**] Term: **14 Years**

Inflight Financial Services, Ltd., Press Release, "IFS introduces the world's first inflight currency exchange system", Feb., 1998 (4 pages).

[21] Appl. No.: **85,316**

Primary Examiner—Caron D. Veynar
Attorney, Agent, or Firm—Sidley & Austin

[22] Filed: **Mar. 20, 1998**

[51] **LOC (6) Cl.** **18-01**

[52] **U.S. Cl.** **D18/4; D14/106**

[58] **Field of Search** D18/2, 4, 6, 7,
D18/11; D14/100, 105, 106, 115; 235/1 D,
1 E, 2, 4, 7 R, 10, 145, 375, 380, 419;
364/404, 405

[57] CLAIM

The ornamental design for a portable point of sale device, as shown and described.

[56] References Cited

DESCRIPTION

U.S. PATENT DOCUMENTS

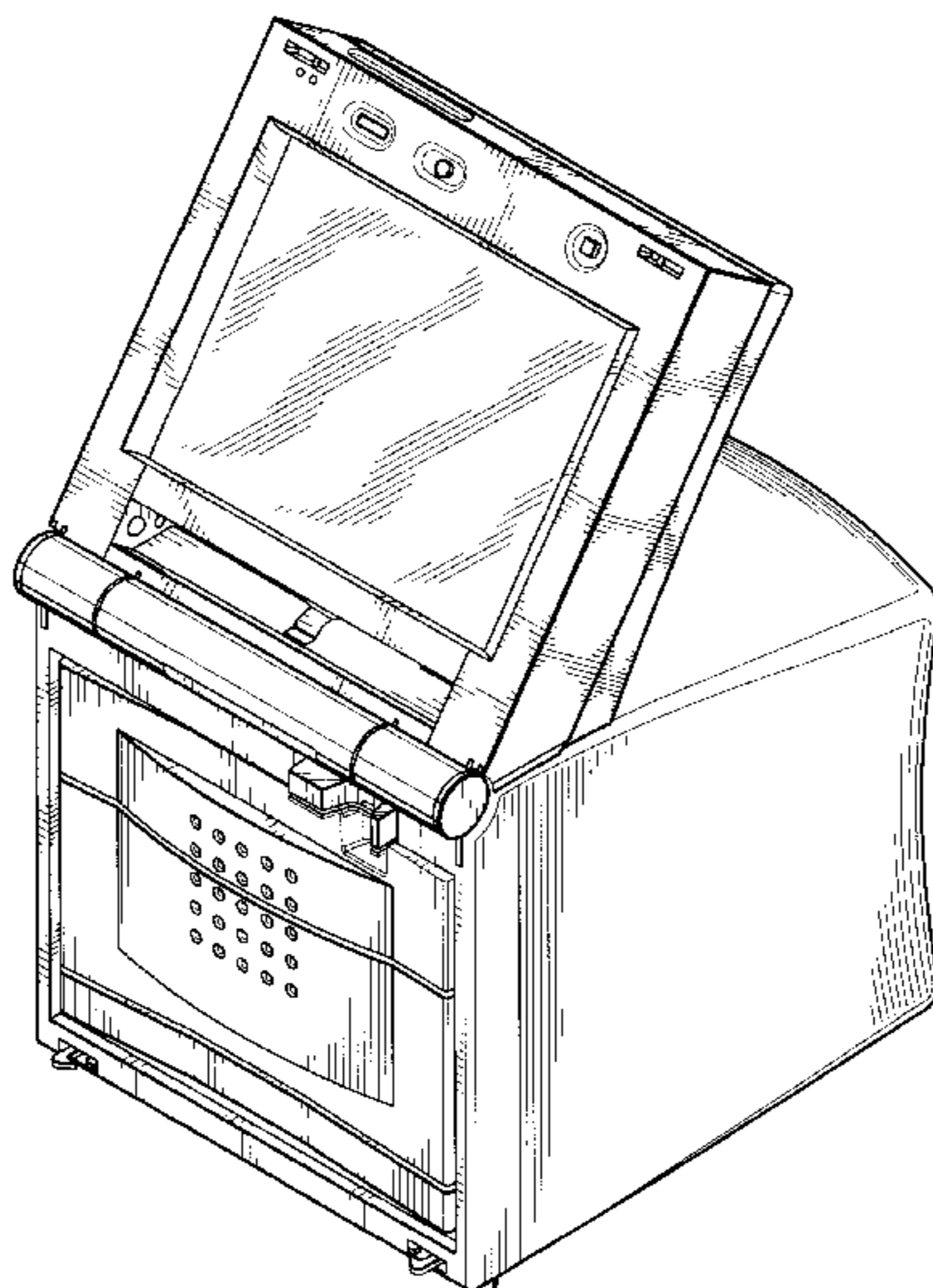
| | | | |
|------------|---------|----------------------|-----------|
| D. 334,567 | 4/1993 | Someya et al. | D14/106 X |
| D. 348,896 | 7/1994 | Kumar et al. | D18/4 |
| D. 360,196 | 7/1995 | Cox et al. | D14/105 |
| D. 389,813 | 1/1998 | Itoh | D14/105 |
| 3,945,316 | 3/1976 | Thomson et al. | 101/45 |
| 4,251,867 | 2/1981 | Uchida et al. | 364/408 |
| 4,277,837 | 7/1981 | Stuckert | 364/900 |
| 4,310,885 | 1/1982 | Azcua et al. | 364/405 |
| 4,669,393 | 6/1987 | Wüthrich | 109/48 |
| 4,903,200 | 2/1990 | Mook, Jr. | 364/405 |
| 4,953,086 | 8/1990 | Fakatsu | 364/408 |
| 4,972,496 | 11/1990 | Sklarew | 382/13 |
| 5,031,098 | 7/1991 | Miller et al. | 364/405 |
| 5,057,676 | 10/1991 | Komaki | 235/375 |
| 5,057,677 | 10/1991 | Bertagna et al. | 235/381 |
| 5,173,590 | 12/1992 | Nakano et al. | 235/379 |
| 5,237,487 | 8/1993 | Dittmer et al. | 361/729 |
| 5,294,782 | 3/1994 | Kumar | 235/462 |
| 5,334,821 | 8/1994 | Campo et al. | 235/380 |
| 5,670,768 | 9/1997 | Modiano et al. | 239/379 |

FIG. 1 is a front side perspective view of a portable point of sale device showing our new design;
 FIG. 2 is a front elevational view thereof;
 FIG. 3 is a side elevational view thereof, the opposite side being identical;
 FIG. 4 is a back elevational view thereof;
 FIG. 5 is the top plan view thereof;
 FIG. 6 is a bottom plan view thereof;
 FIG. 7 is a front side perspective view thereof wherein the case is closed;
 FIG. 8 is a front elevational view thereof wherein the case is closed;
 FIG. 9 is a side elevational view thereof wherein the case is closed, the opposite side being identical;
 FIG. 10 is a back elevational view thereof wherein the case is closed;
 FIG. 11 is a top plan view thereof wherein the case is closed;
 and,
 FIG. 12 is a bottom plan view thereof wherein the case is closed.

FOREIGN PATENT DOCUMENTS

0660280A1 6/1995 European Pat. Off. .

1 Claim, 6 Drawing Sheets



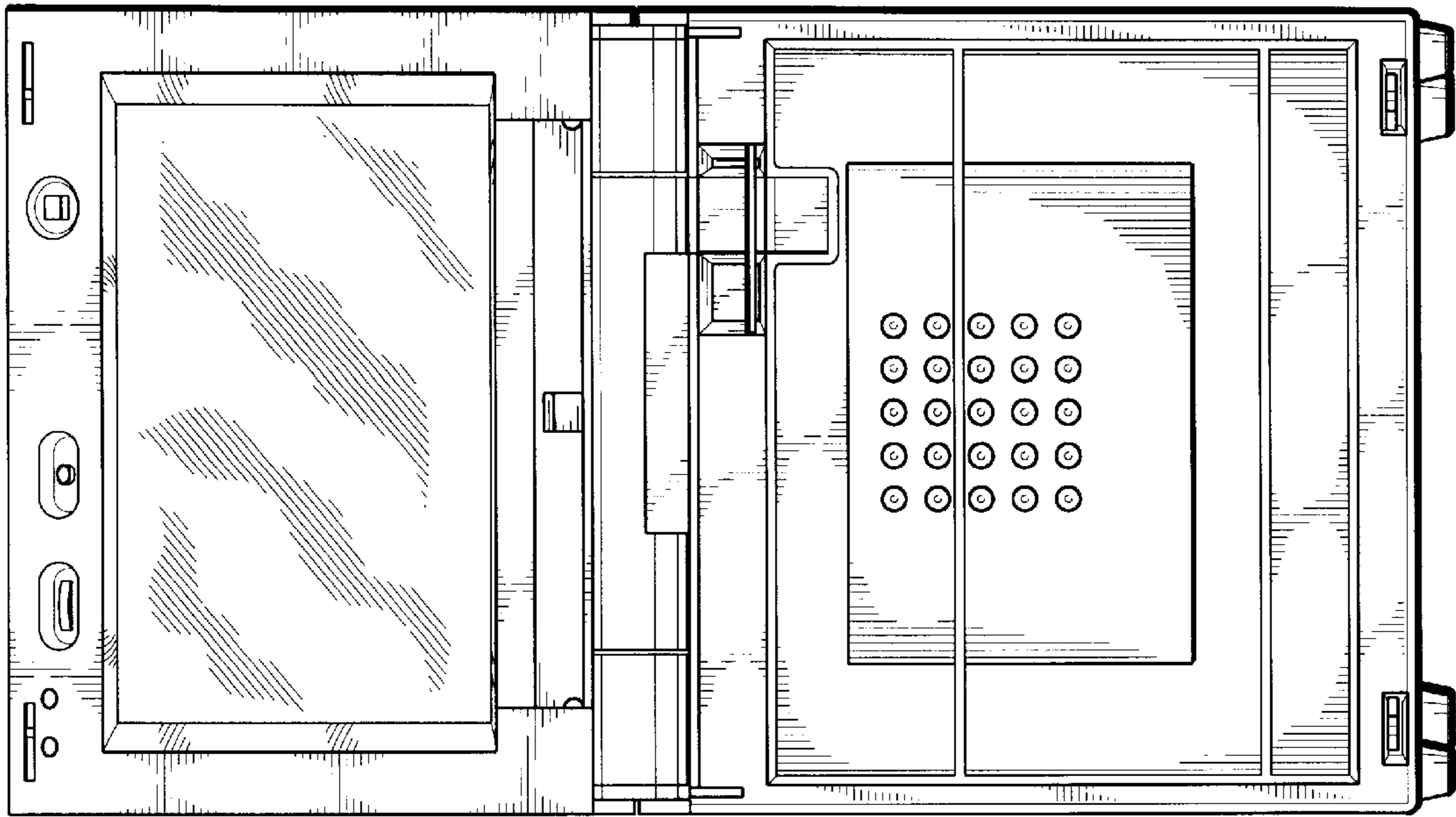


FIG. 2

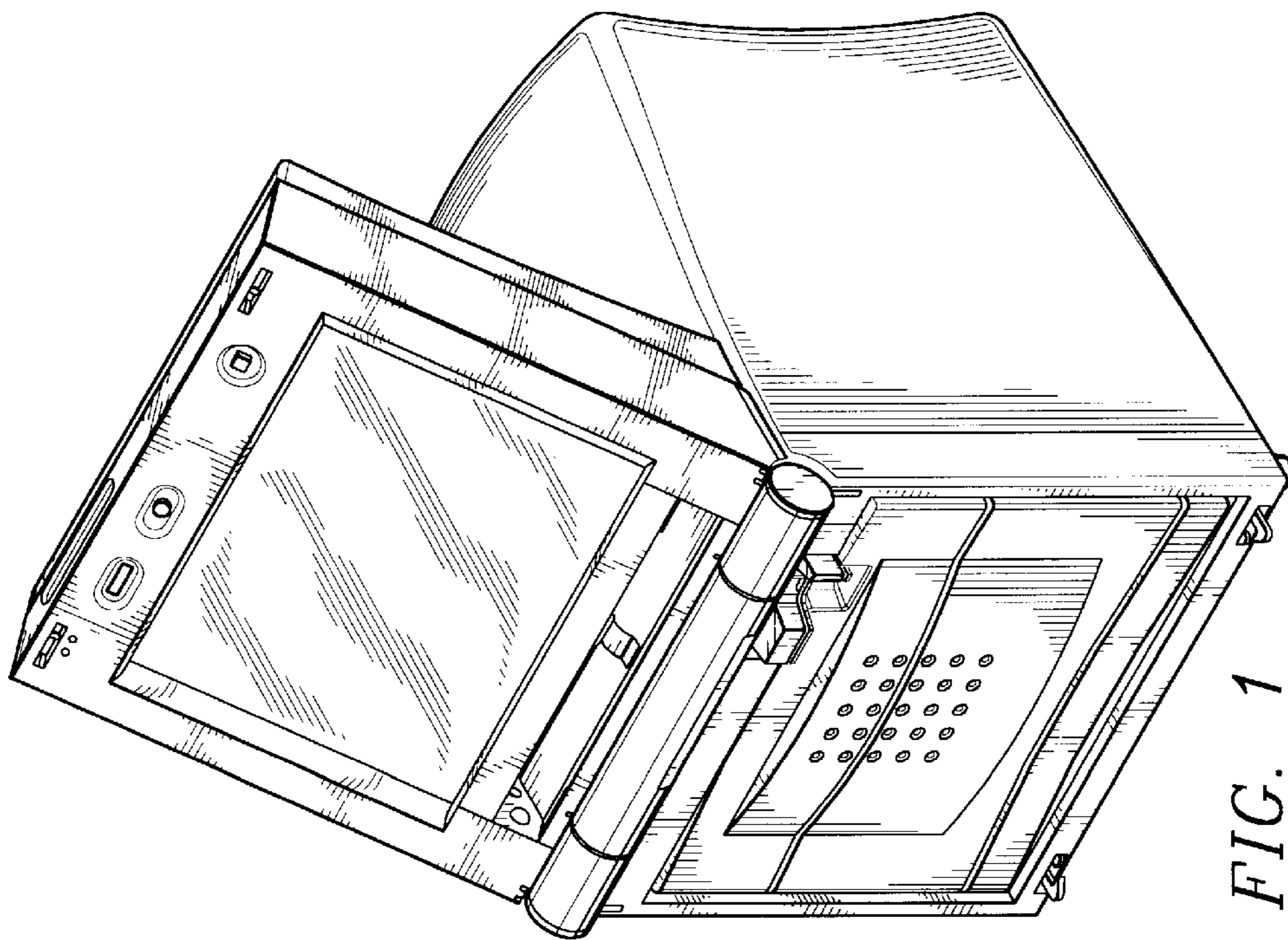


FIG. 1

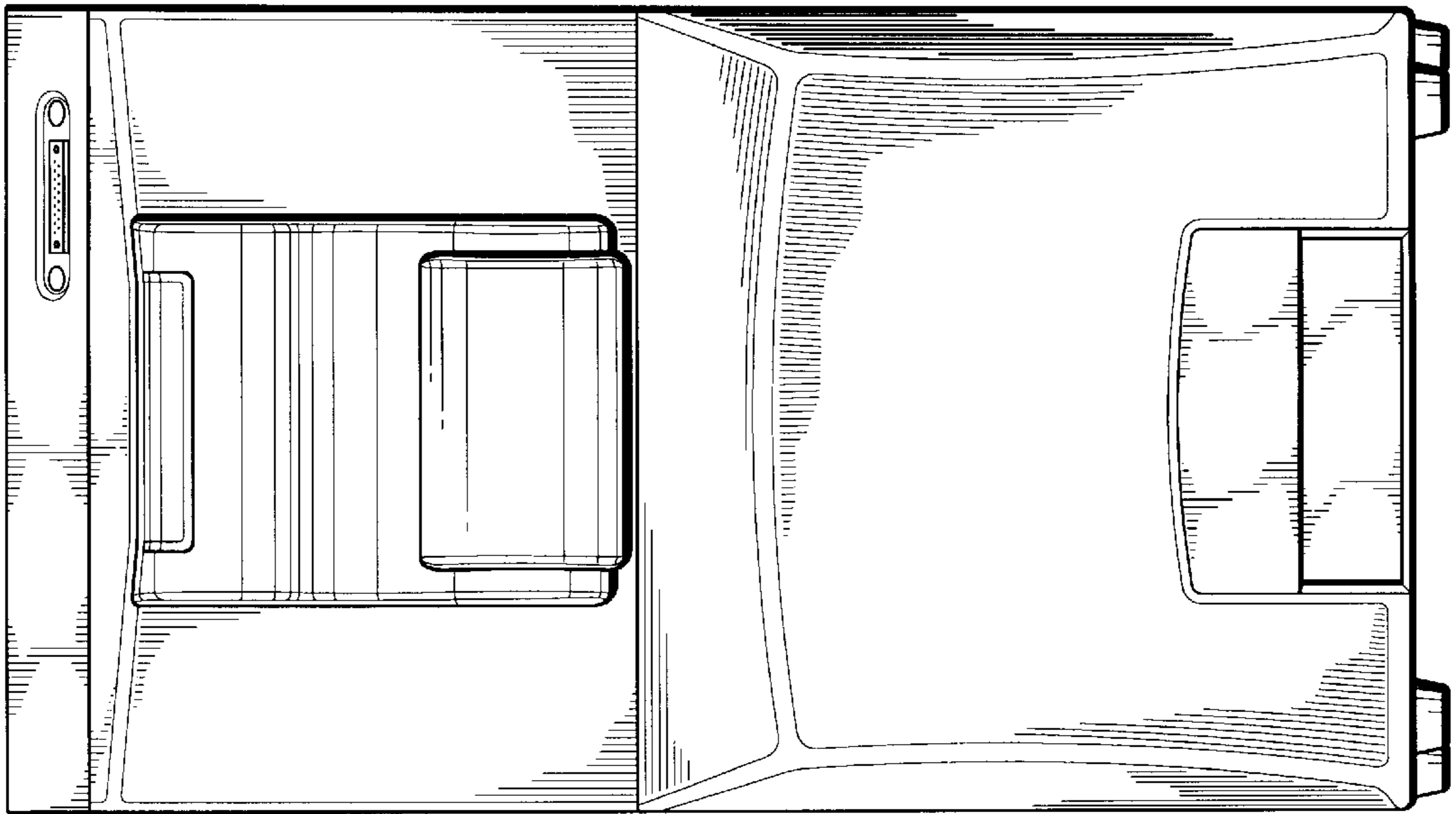


FIG. 4

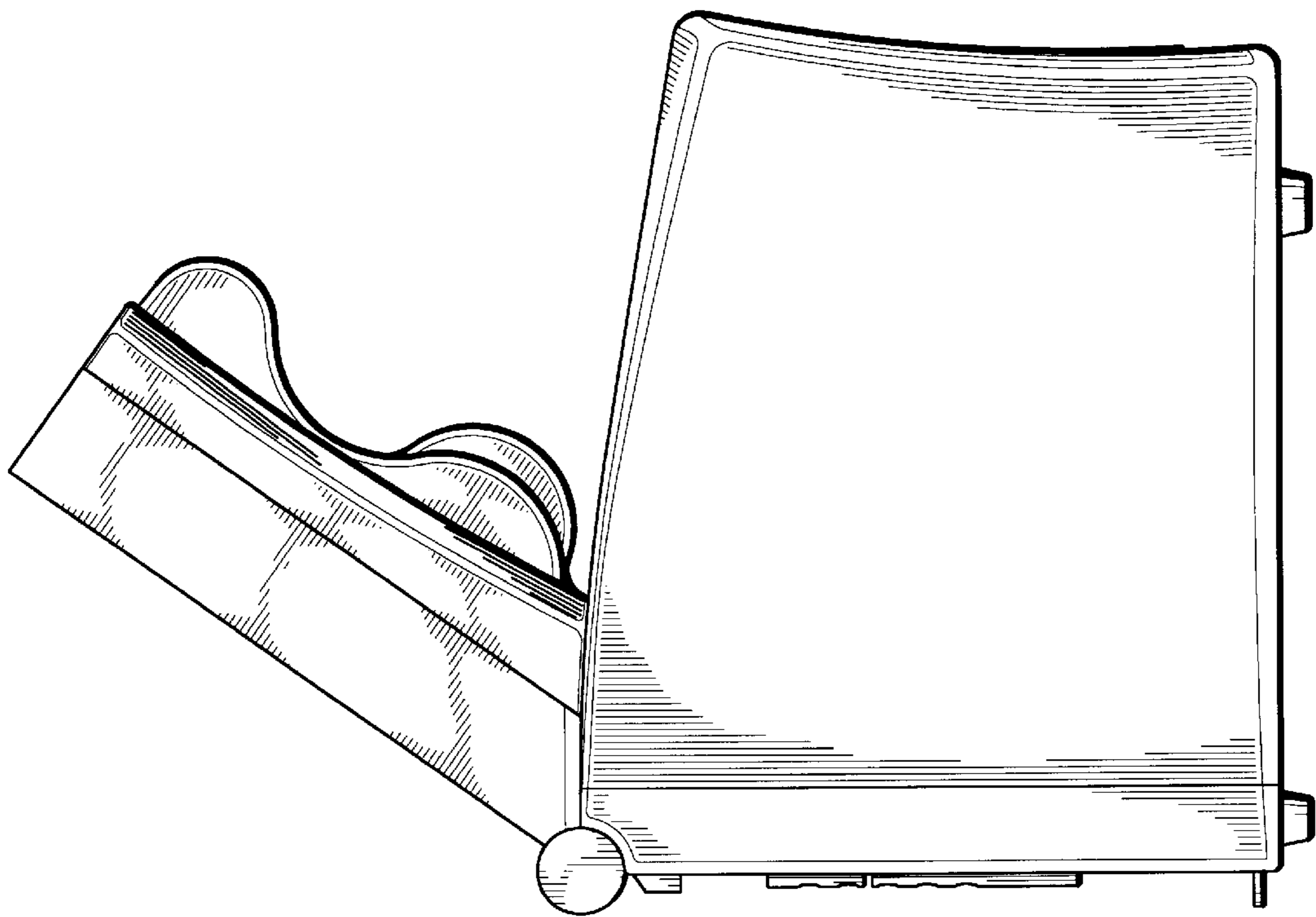


FIG. 3

FIG. 5

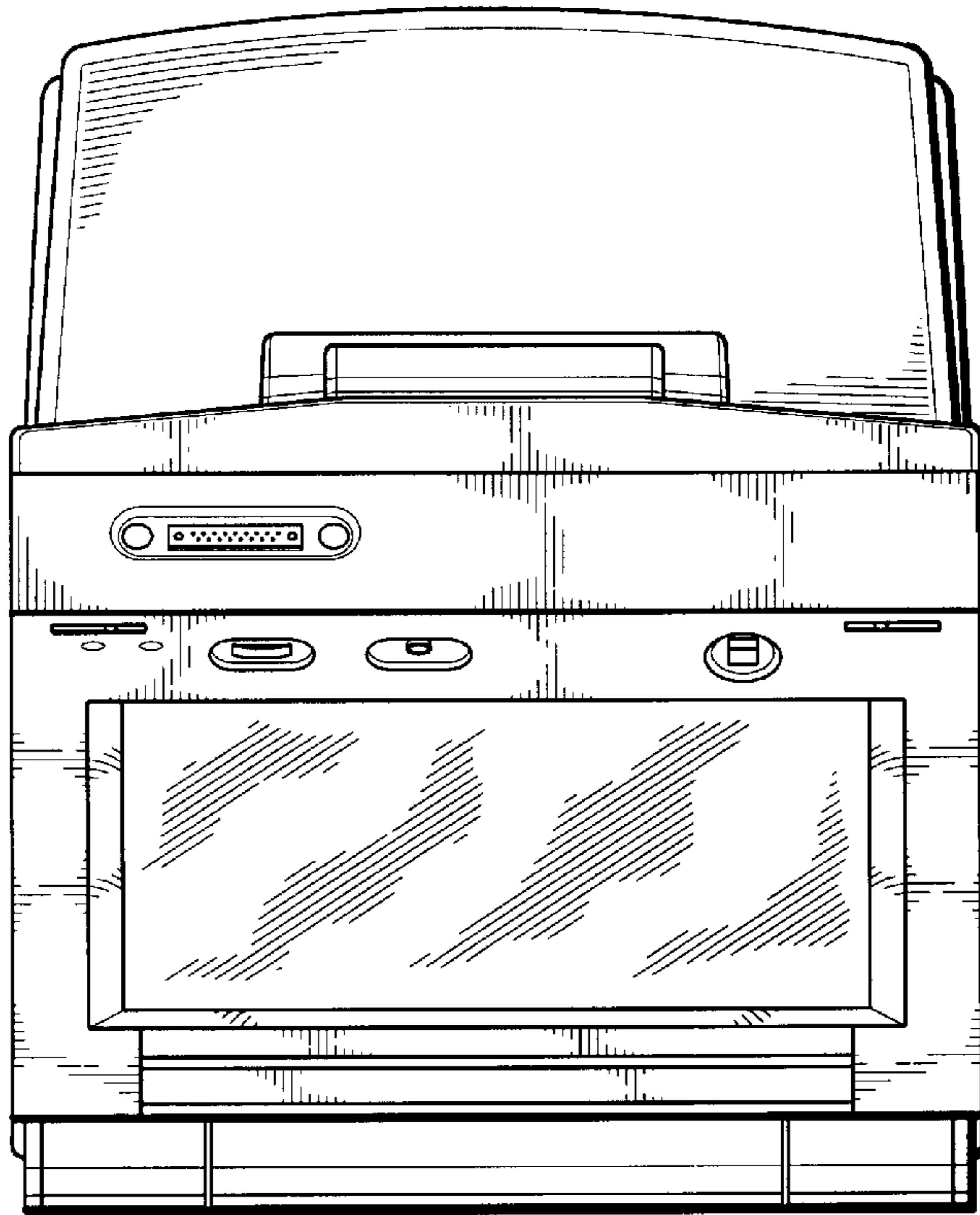
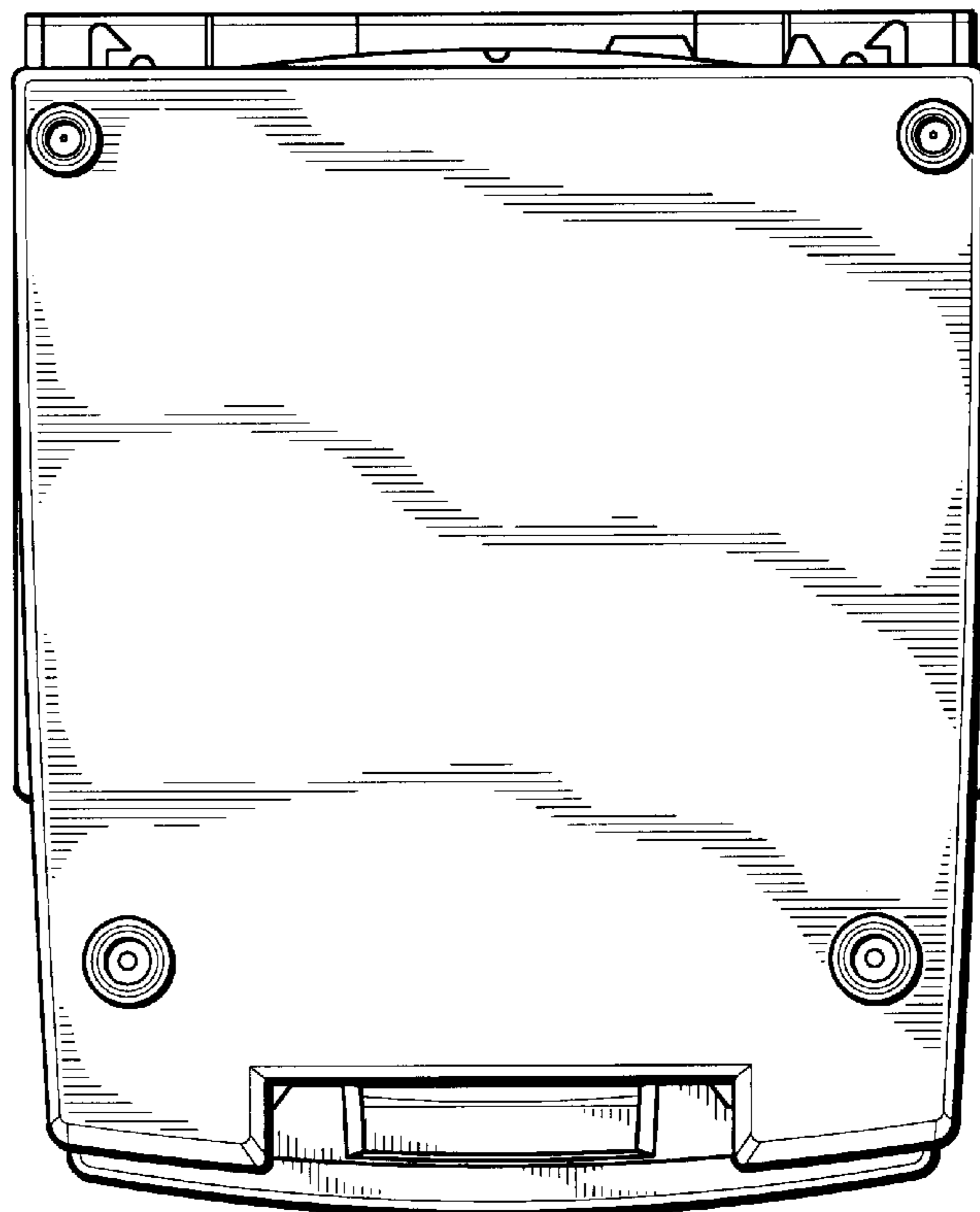


FIG. 6



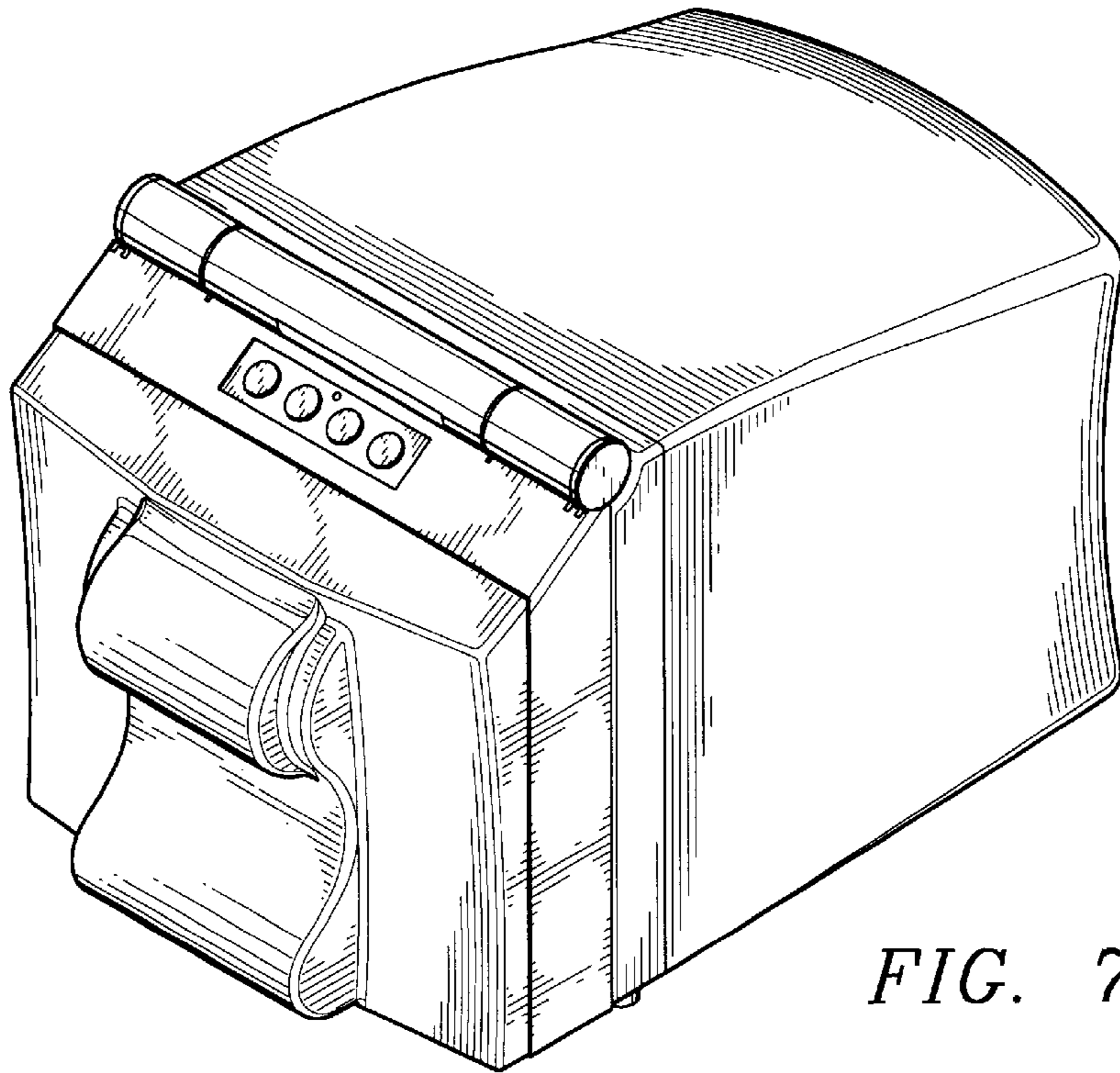


FIG. 7

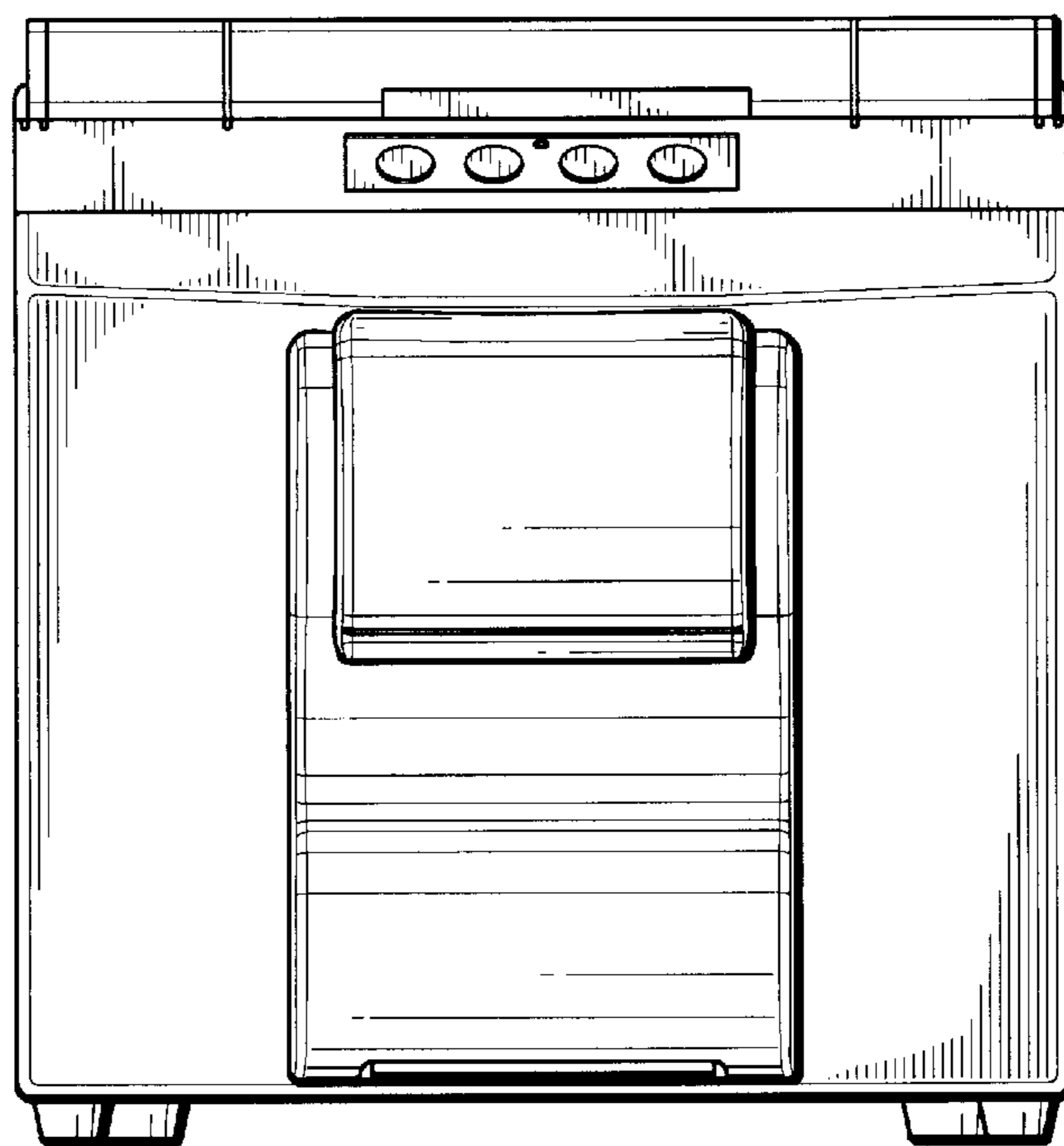


FIG. 8

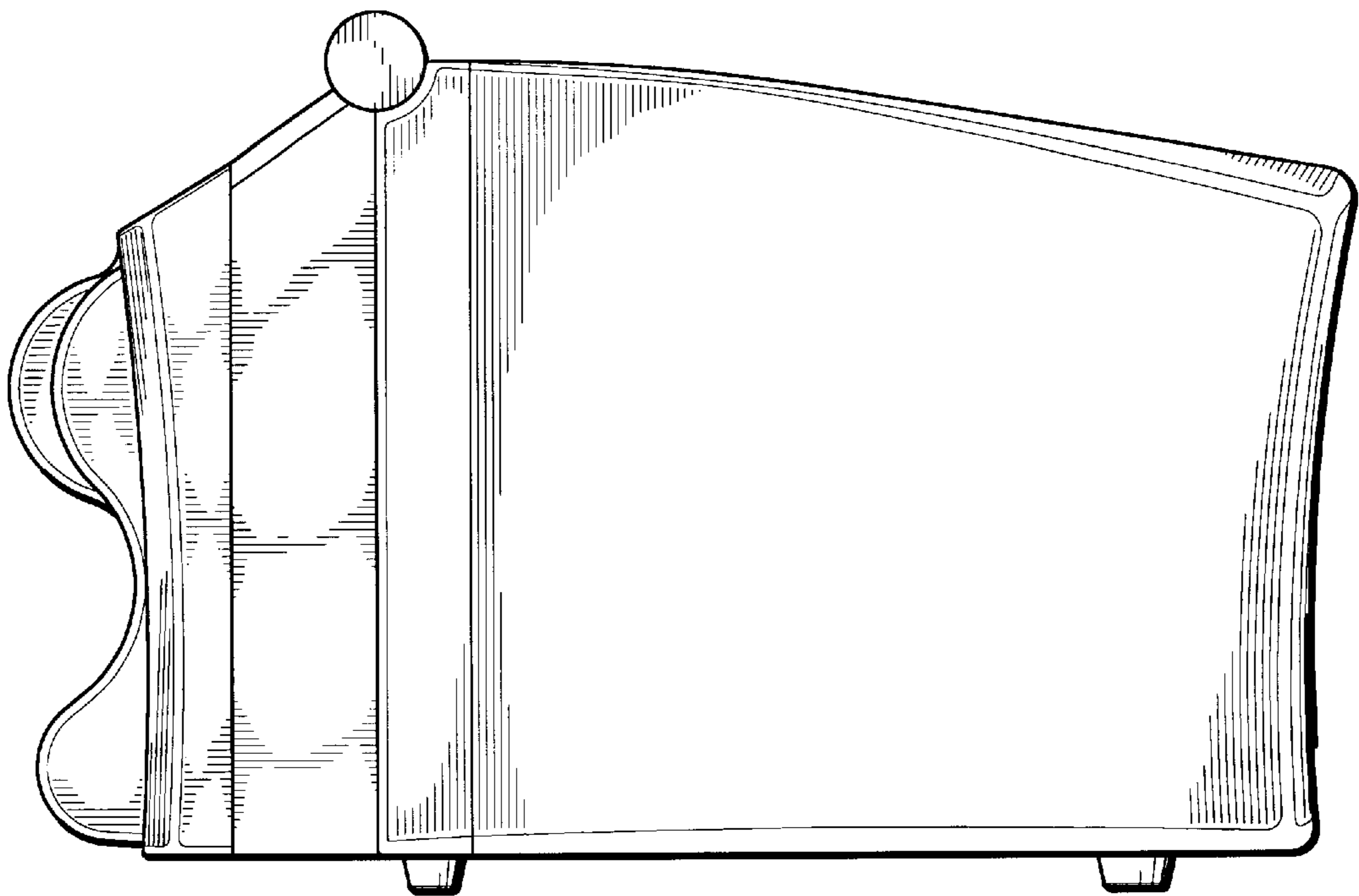


FIG. 9

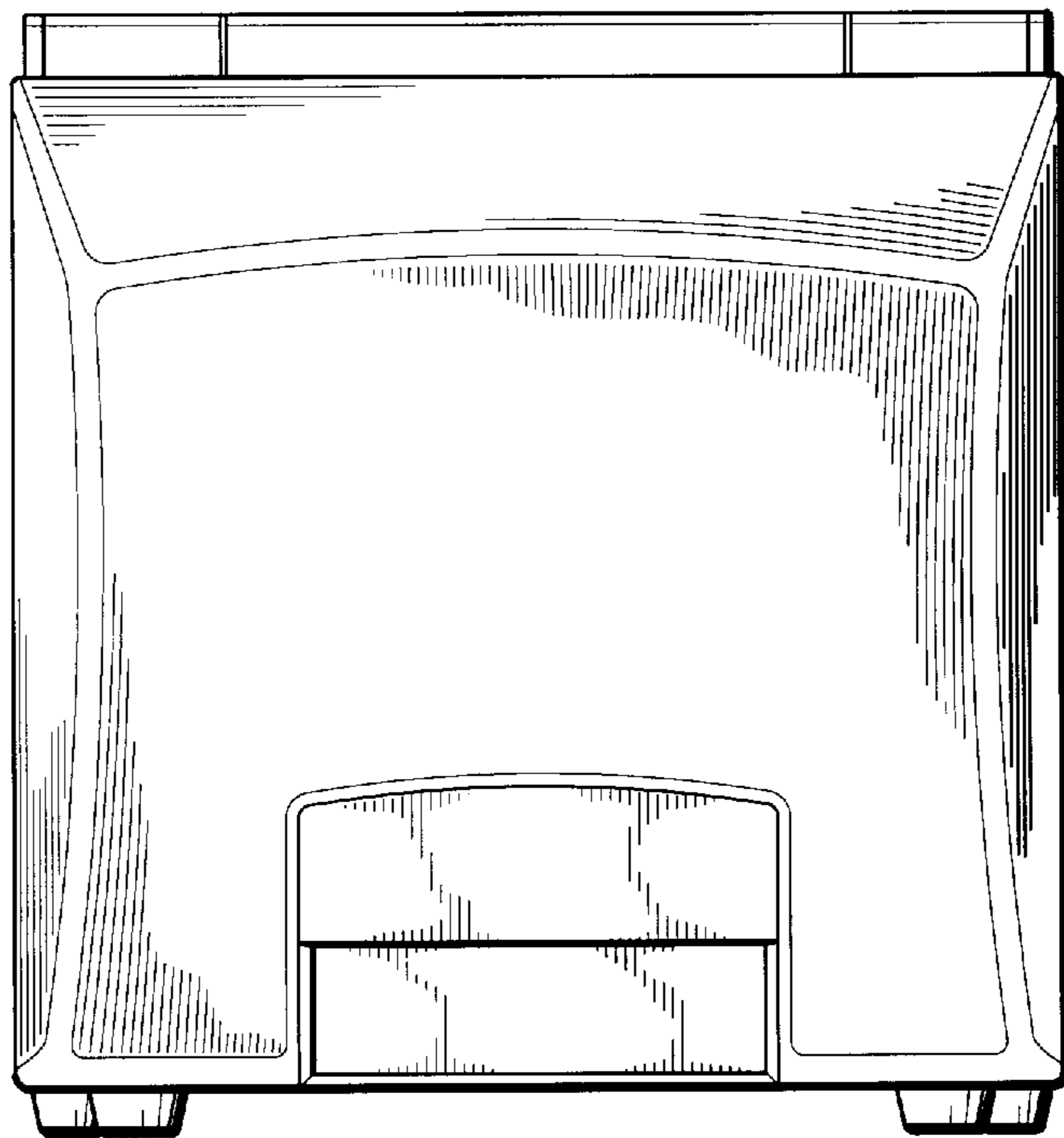


FIG. 10

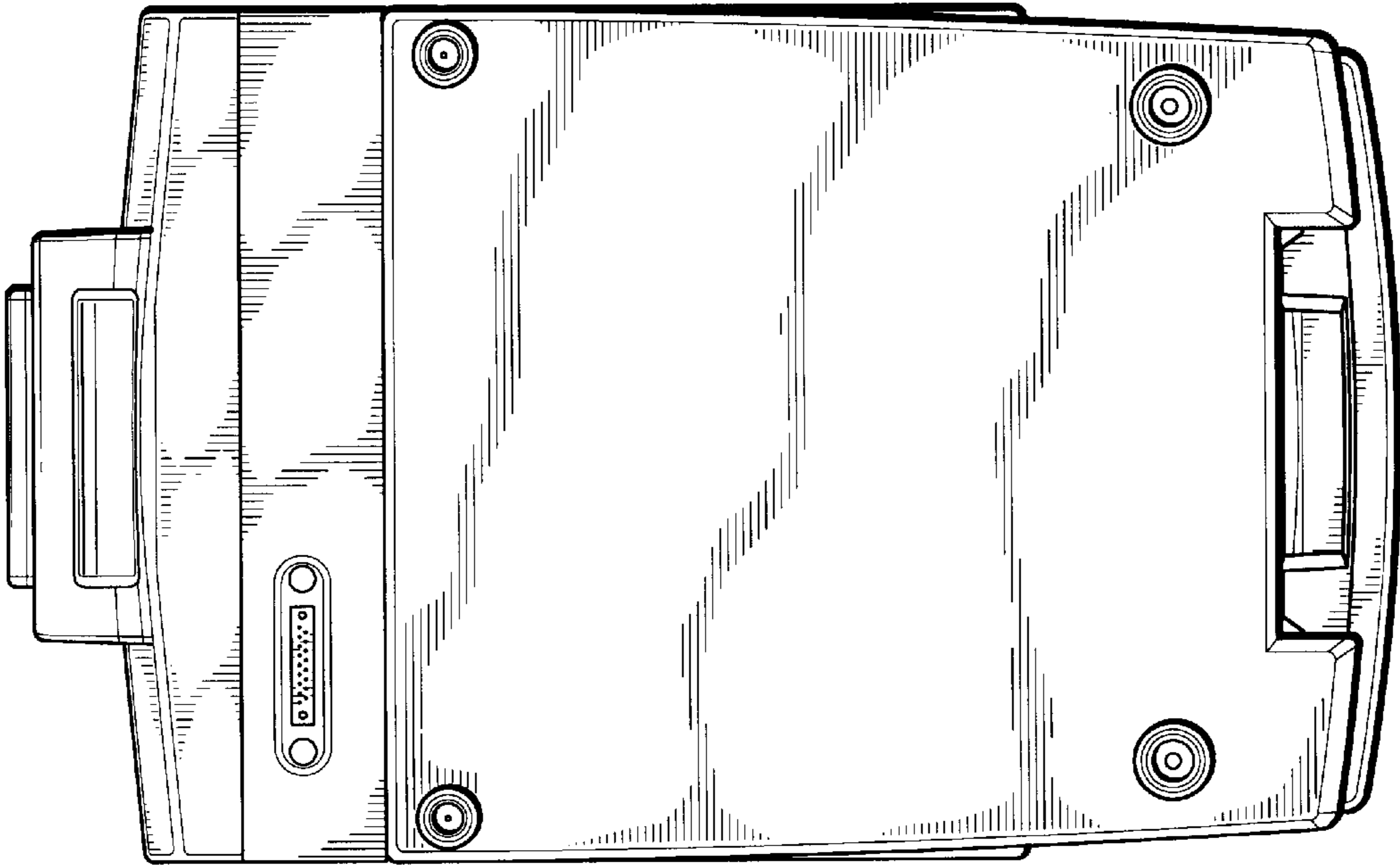


FIG. 11

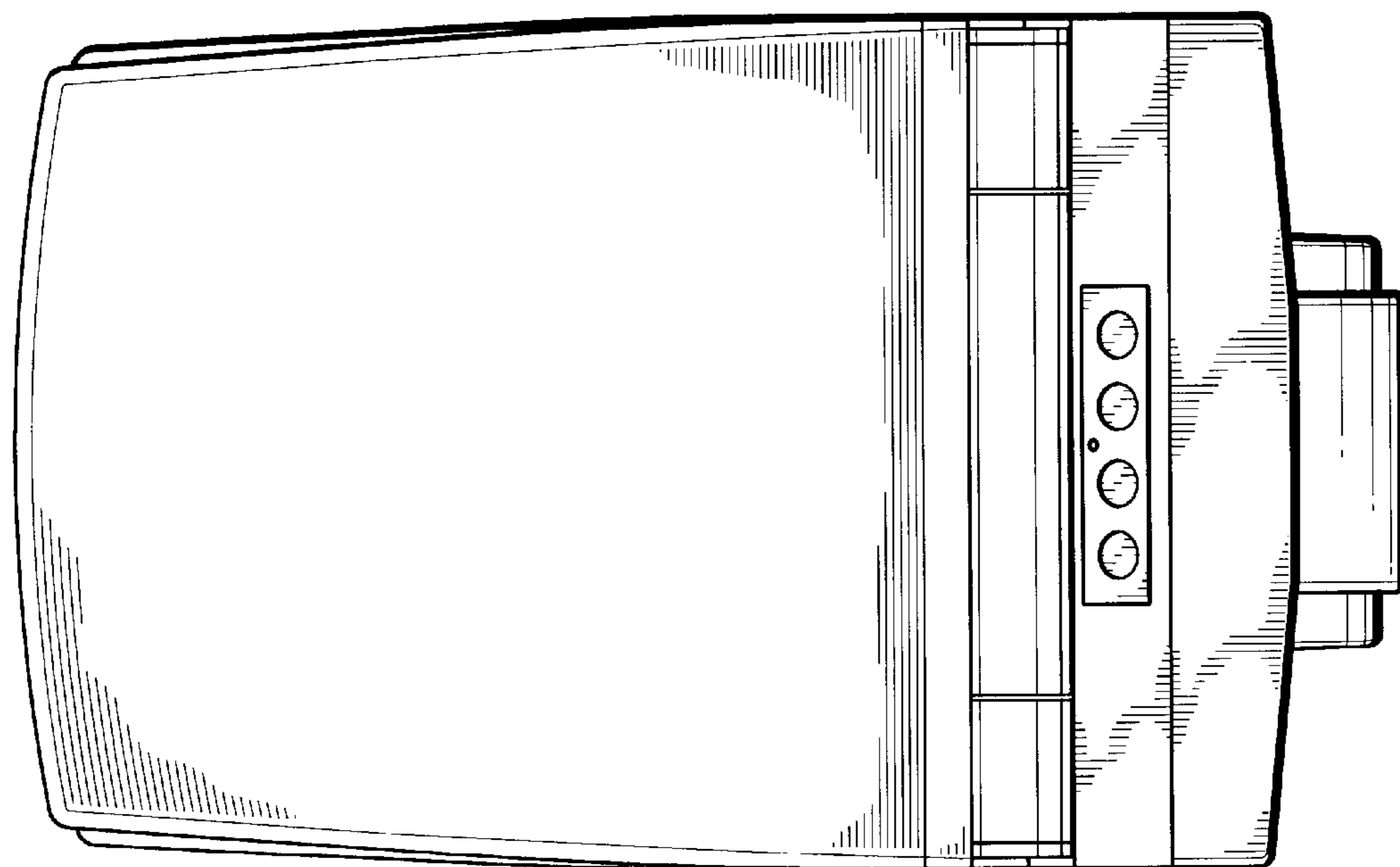


FIG. 12