



US00D406268S

United States Patent [19]

Lamond et al.

[11] Patent Number: **Des. 406,268**

[45] Date of Patent: ****Mar. 2, 1999**

[54] **VACUUM PUMP WITH INTEGRAL PRETRAP AND POST-TRAP**

D. 344,735	3/1994	Ohman	D15/7
D. 354,753	1/1995	Turner, III et al.	D15/7
D. 365,107	12/1995	Ward	D15/7
3,758,236	9/1973	Zimmerman	417/360

[75] Inventors: **Donald R. Lamond**, Lynbrook; **John Moldauer**, Brooklyn; **James T. Collins, III**, New York; **Michael Glater**, Brooklyn, all of N.Y.

Primary Examiner—Ralf Seifert
Attorney, Agent, or Firm—Morrison Law Firm

[73] Assignee: **Savant Instruments, Inc.**, Holbrook, N.Y.

[57] **CLAIM**

The ornamental design for a vacuum pump with integral pretrap and post-trap, as shown and described.

[**] Term: **14 Years**

DESCRIPTION

[21] Appl. No.: **86,290**

FIG. 1 is a perspective view of a vacuum pump with integral pretrap and post-trap showing my design; FIG. 2 is a front elevational view thereof; FIG. 3 is a top plan view thereof; FIG. 4 is a left side elevational view thereof; FIG. 5 is a right side elevational view thereof; FIG. 6 is a rear elevational view thereof; and, FIG. 7 is a bottom plan view thereof.

[22] Filed: **Apr. 9, 1998**

[51] **LOC (6) Cl.** **15-02**

[52] **U.S. Cl.** **D15/7**

[58] **Field of Search** D15/7-9; D26/38; 417/360, 362, 68, 69, 423.1, 243.14, 223.15

[56] **References Cited**

U.S. PATENT DOCUMENTS

D. 328,305 7/1992 Wong D15/7

1 Claim, 7 Drawing Sheets

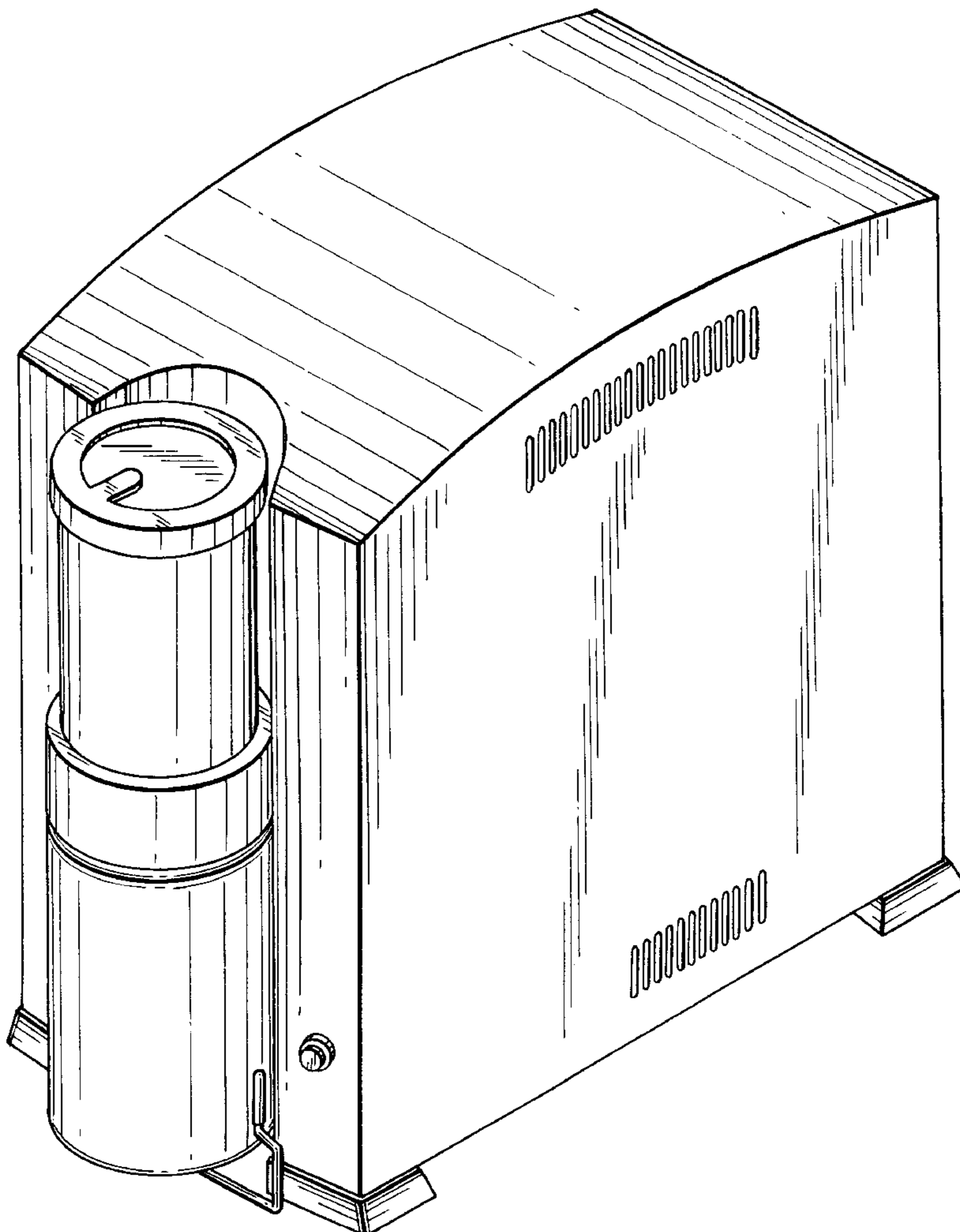
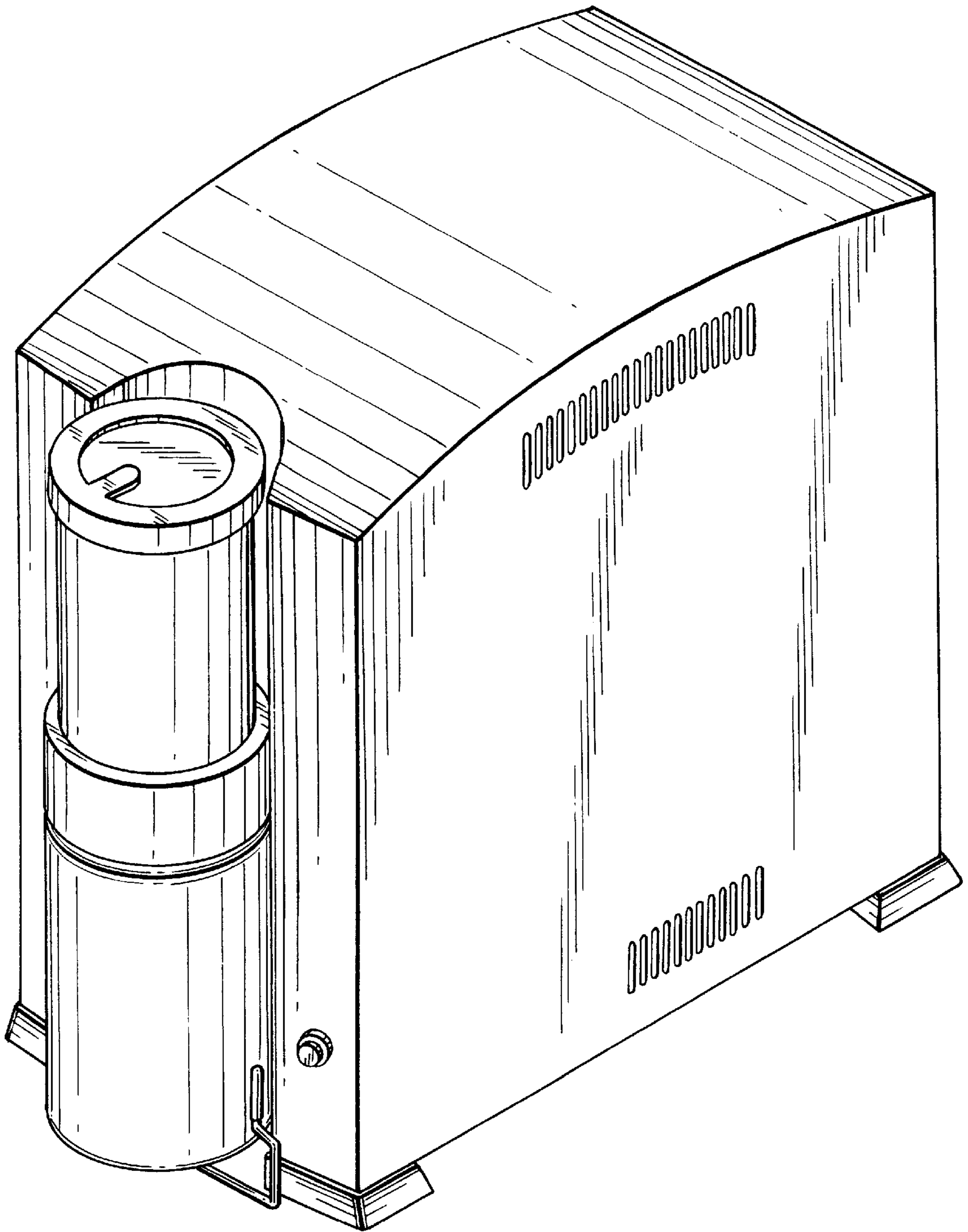


FIG. 1



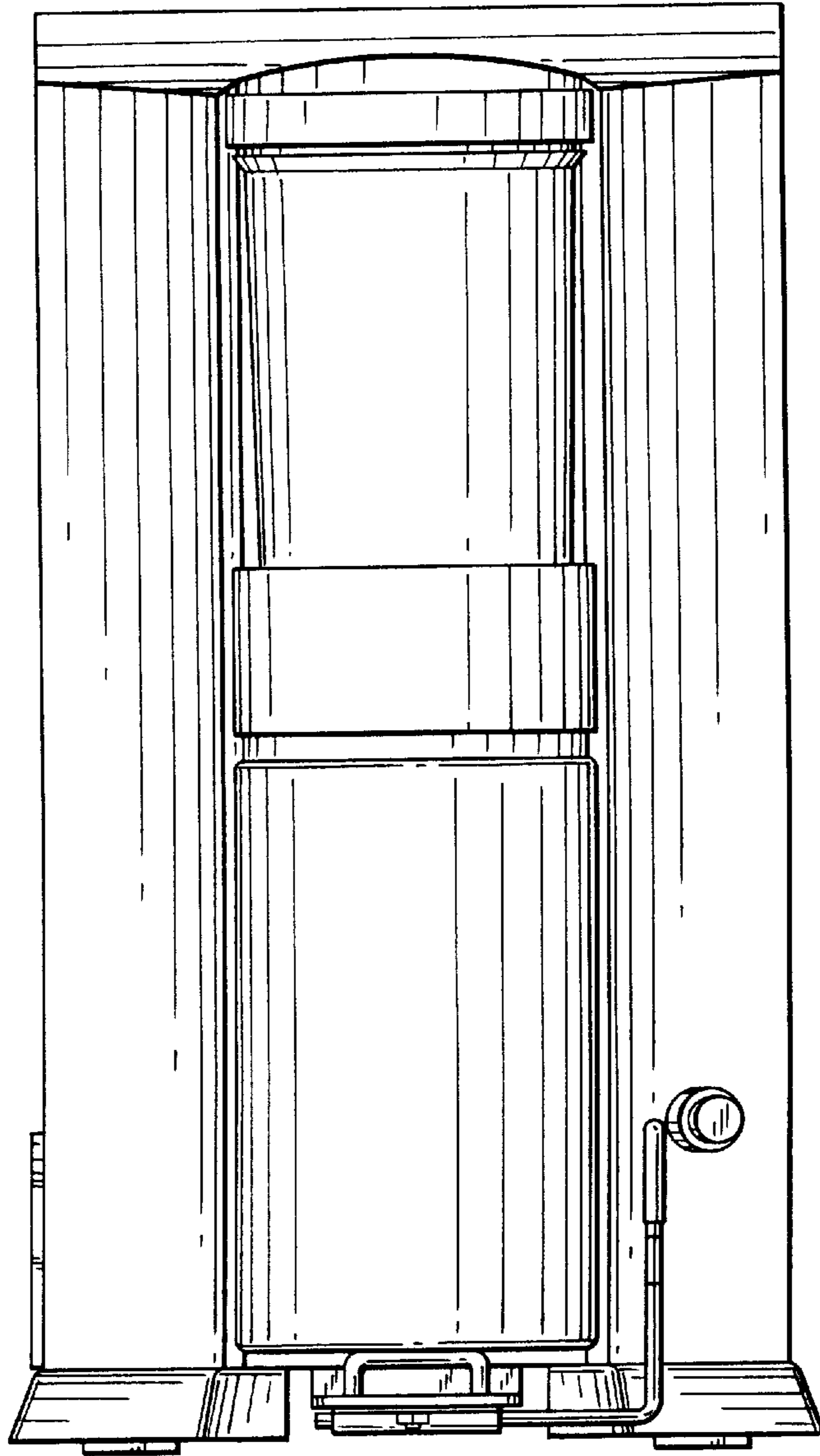
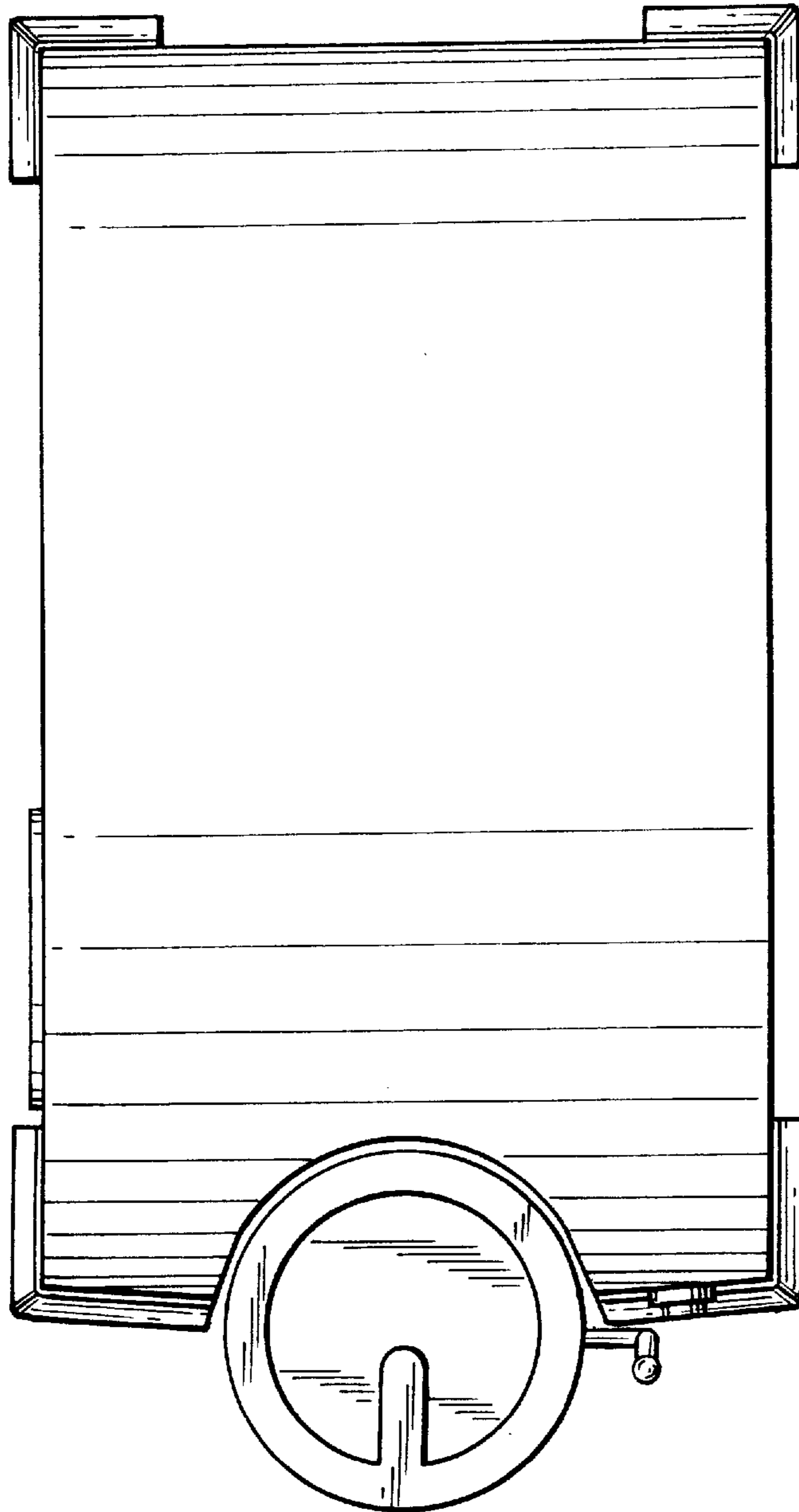


FIG. 2

FIG. 3



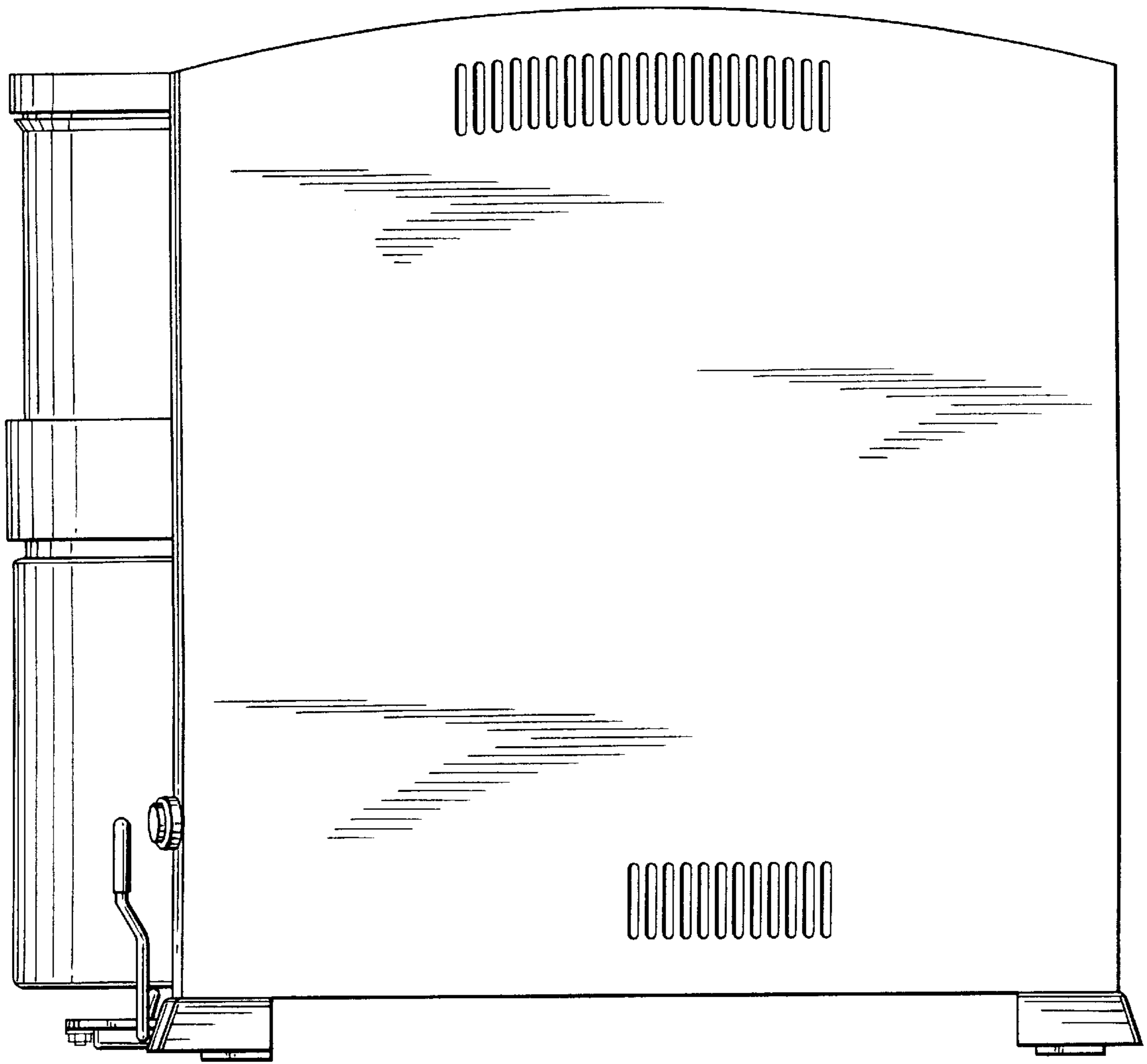


FIG.4

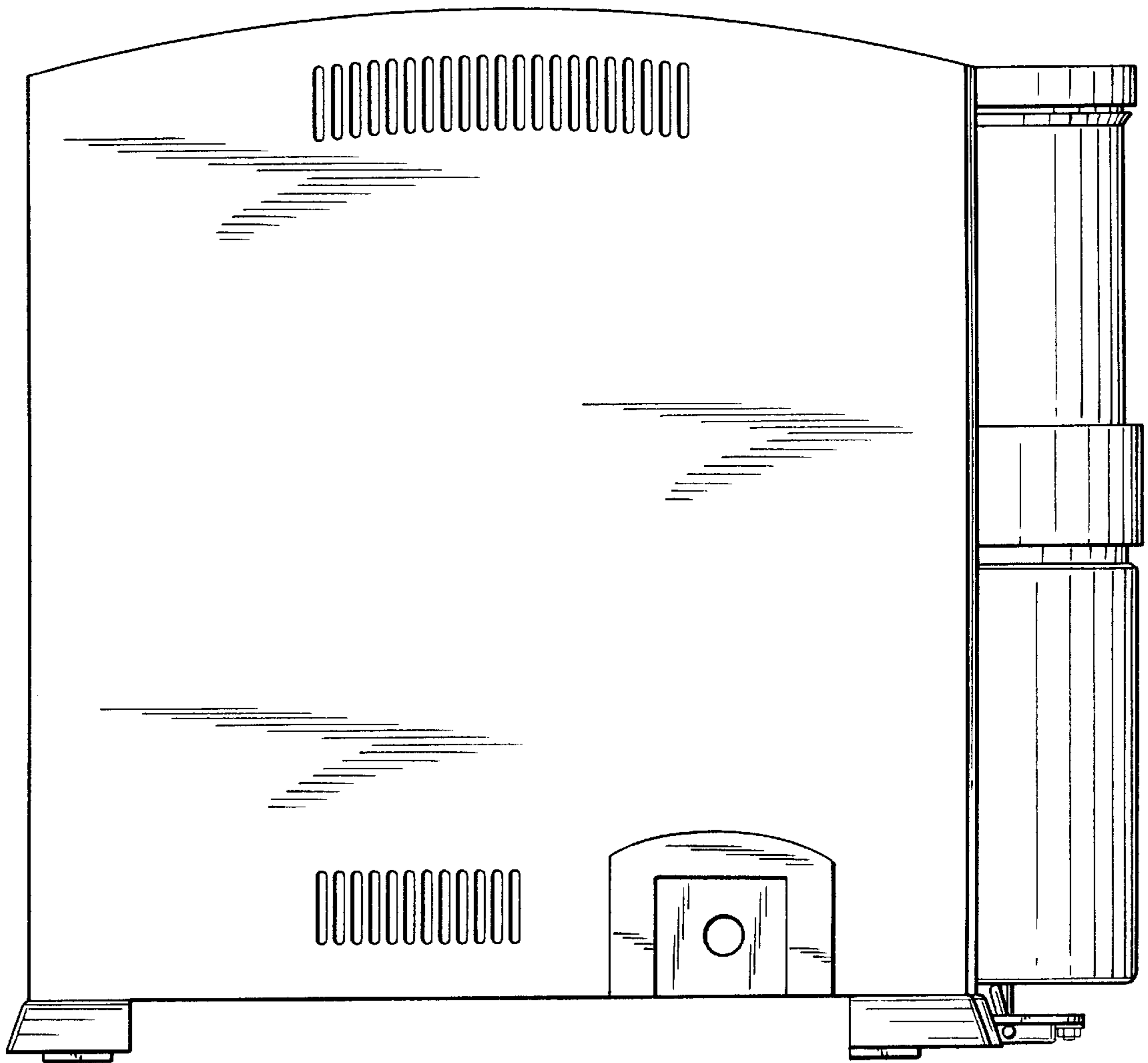


FIG.5

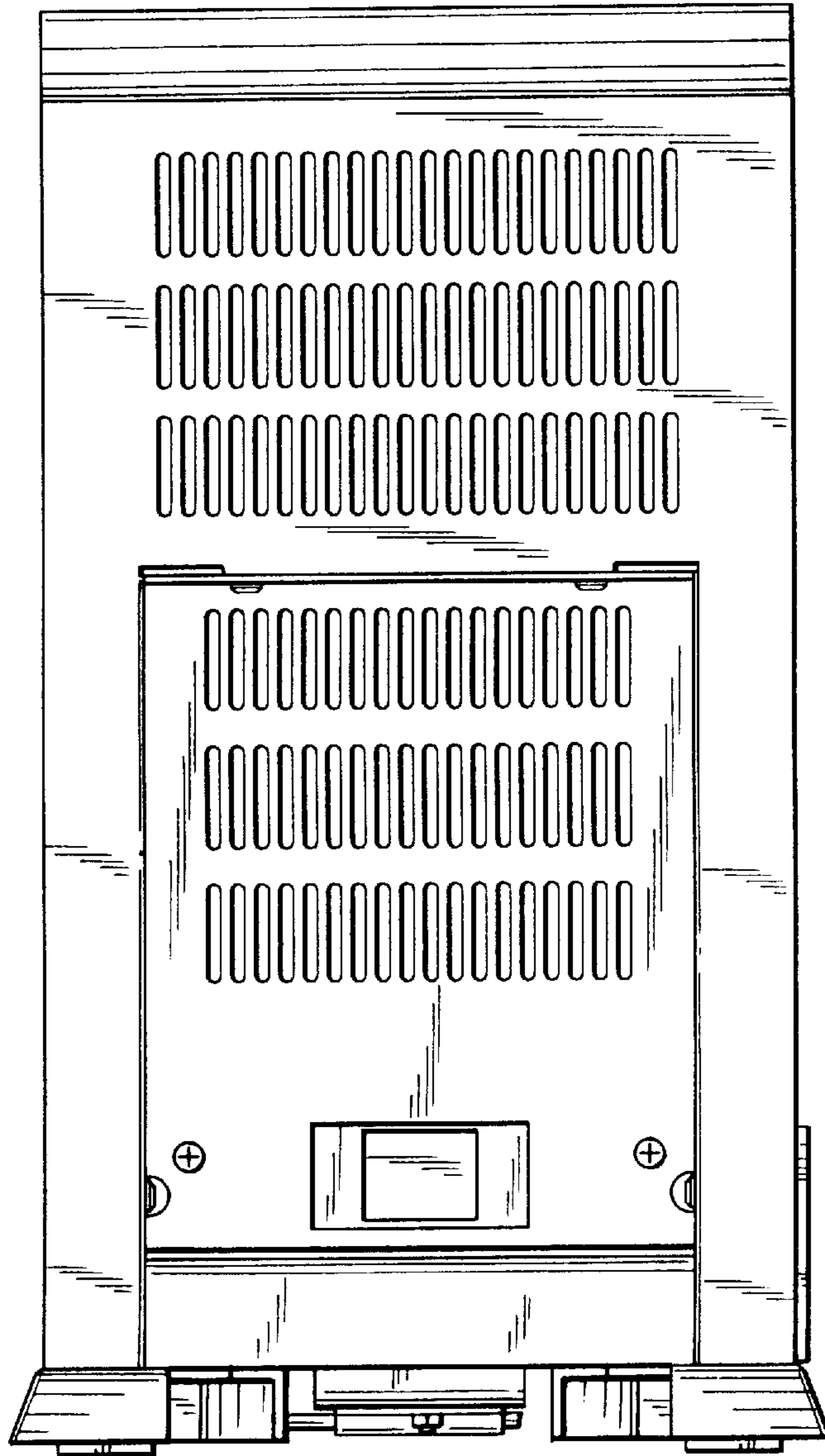


FIG. 6

FIG. 7

