



US00D406265S

**United States Patent** [19]  
**Barrese**

[11] **Patent Number: Des. 406,265**

[45] **Date of Patent: \*\*Mar. 2, 1999**

[54] **CD CHANGER DOOR**

D. 346,168 4/1994 Tai ..... D14/217  
D. 373,109 8/1996 Brown ..... D14/168 X

[75] Inventor: **Frank Barrese**, Ringwood, N.J.

[73] Assignee: **Alpine Electronics, Inc.**, Tokyo, Japan

[\*\*] Term: **14 Years**

*Primary Examiner*—Ted Shooman  
*Assistant Examiner*—Nanda Bondade  
*Attorney, Agent, or Firm*—Brinks Hofer Gilson & Lione

[21] Appl. No.: **69,600**

[22] Filed: **Apr. 30, 1997**

[57] **CLAIM**

The ornamental design for a CD changer door, as shown and described.

[51] **LOC (6) Cl.** ..... **14-99**

[52] **U.S. Cl.** ..... **D14/217; D14/299**

[58] **Field of Search** ..... D14/135, 136,  
D14/155-157, 159, 167, 168, 217, 257-260,  
265, 299; 369/75.1, 75.2, 77.1, 77.2

**DESCRIPTION**

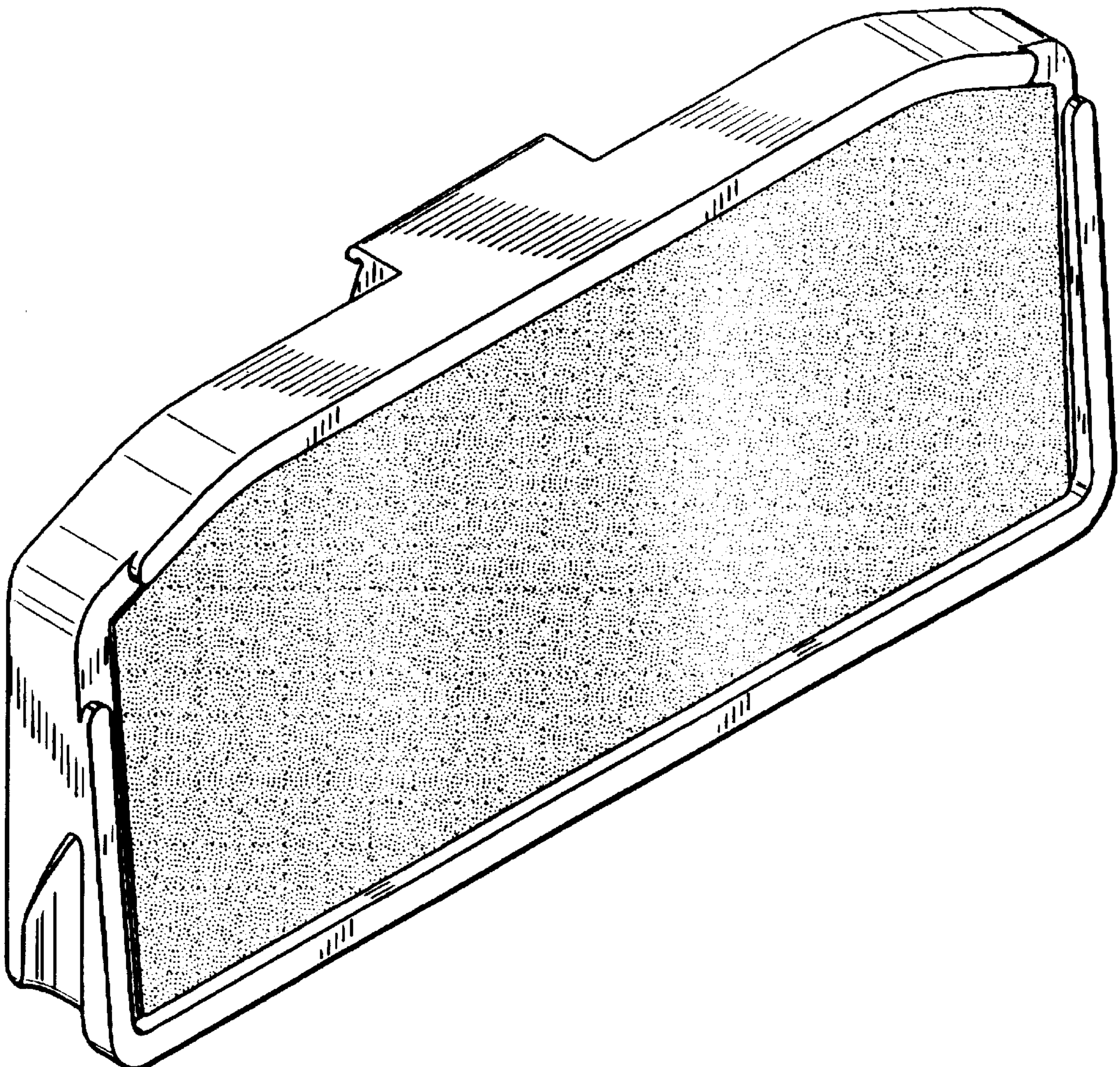
FIG. 1 is a perspective front view of a CD changer door showing my new design;  
FIG. 2 is a front elevation view thereof;  
FIG. 3 is a bottom plan view thereof;  
FIG. 4 is a right side elevation view thereof, the left side being a mirror image;  
FIG. 5 is a top plan view thereof; and,  
FIG. 6 is a rear elevation view thereof.

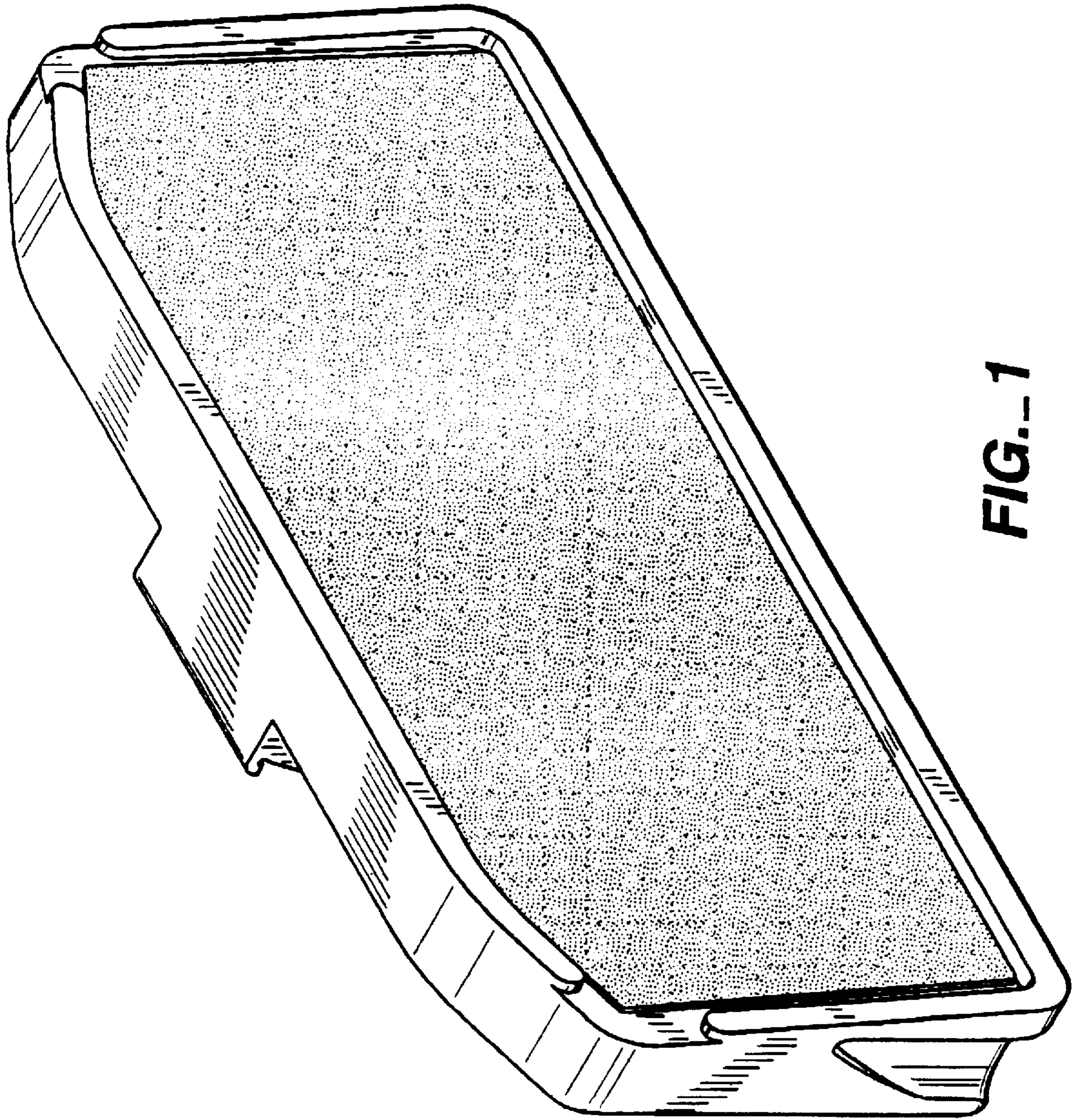
[56] **References Cited**

**U.S. PATENT DOCUMENTS**

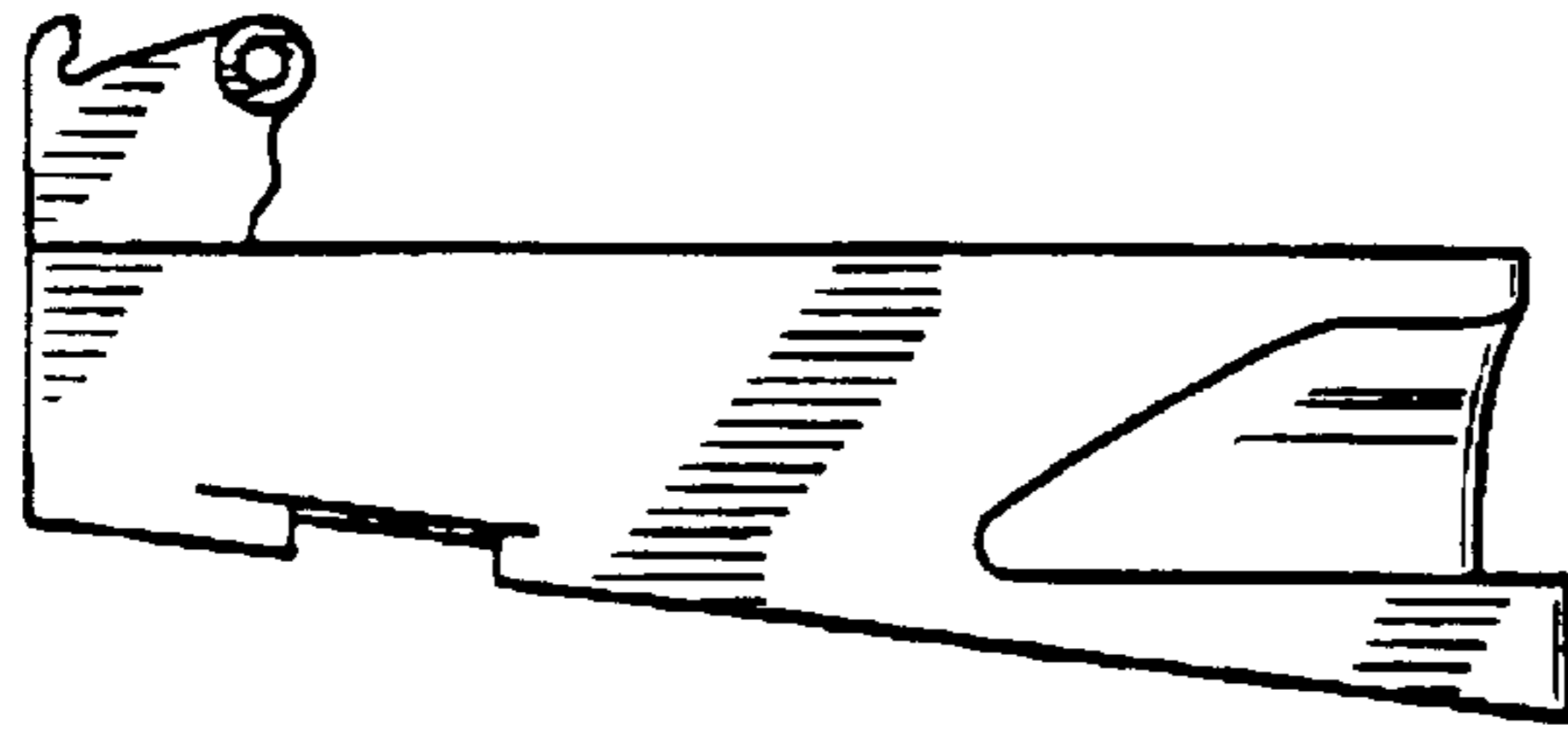
D. 314,386 2/1991 Clubertson ..... D14/257  
D. 337,330 7/1993 Tseng ..... D14/217

**1 Claim, 3 Drawing Sheets**

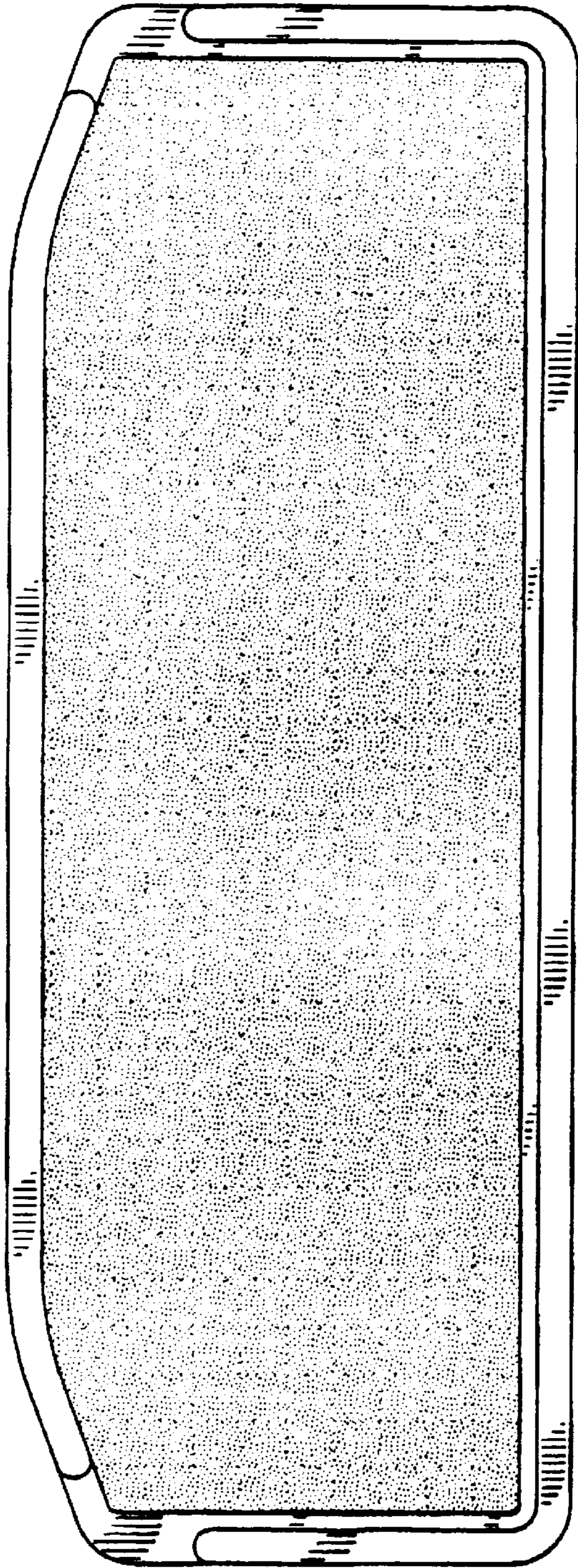




**FIG. 1**



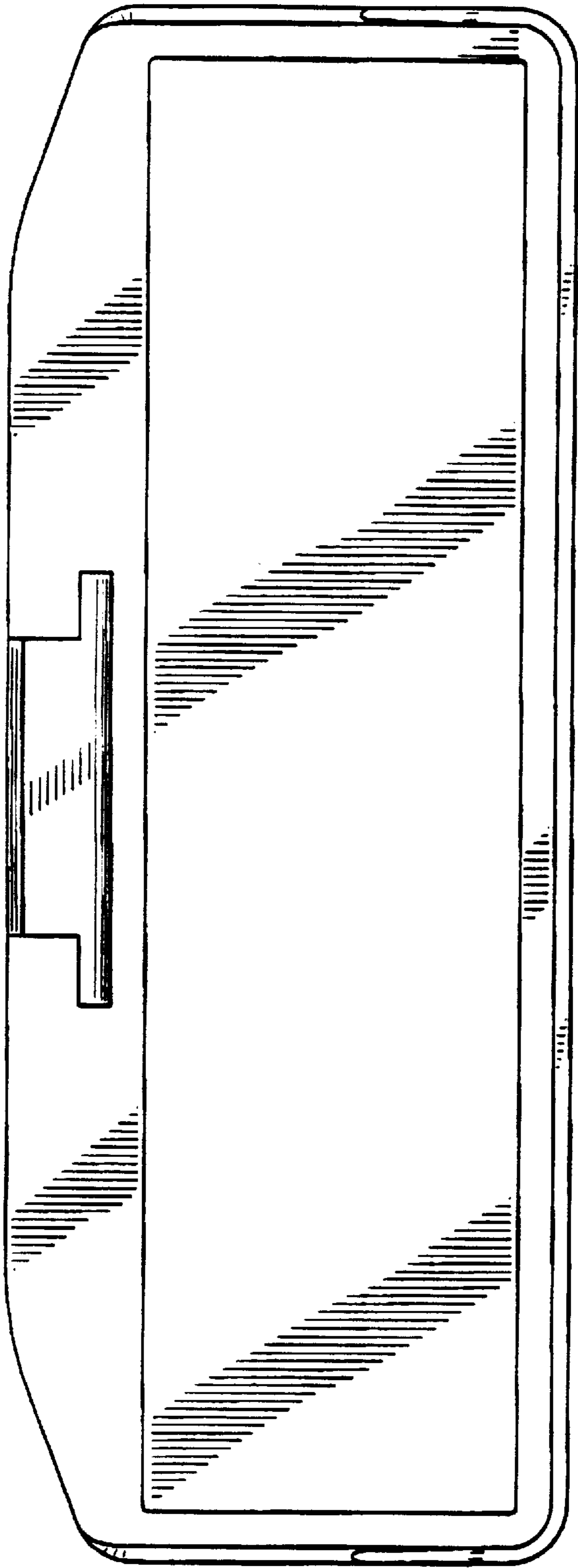
**FIG. 4**



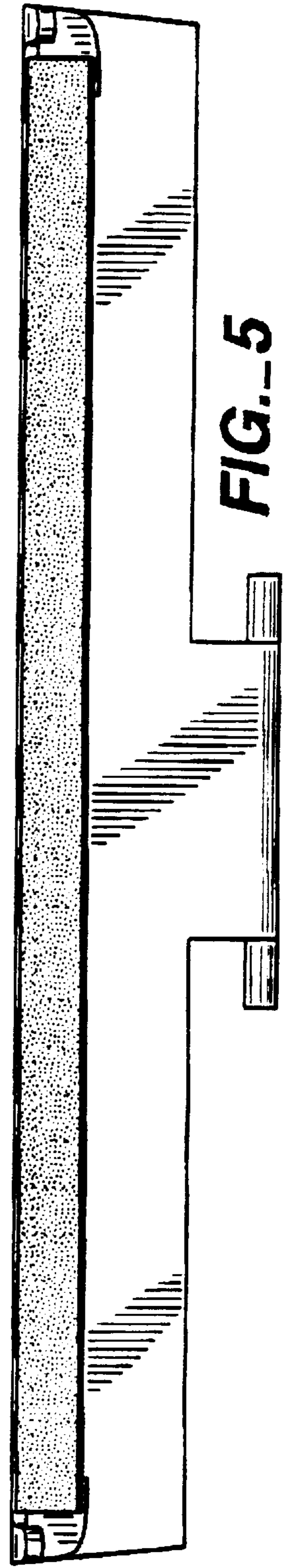
**FIG. 2**



**FIG. 3**



**FIG. 6**



**FIG. 5**