



US00D406261S

United States Patent [19]

Kettula et al.

[11] **Patent Number: Des. 406,261**

[45] **Date of Patent: **Mar. 2, 1999**

[54] **CIGARETTE LIGHTER CHARGER**

[75] Inventors: **Jan Kettula**, Kivilähteentie; **Anu Suomalainen**, Rahintie, both of Finland

[73] Assignee: **Nokia Mobile Phones Limited**, Espoo, Finland

[**] Term: **14 Years**

[21] Appl. No.: **58,819**

[22] Filed: **Aug. 23, 1996**

[30] **Foreign Application Priority Data**

Feb. 23, 1996 [FI] Finland 137/96

[51] **LOC (6) Cl.** **13-03**

[52] **U.S. Cl.** **D13/144**

[58] **Field of Search** D13/107, 108, D13/133, 144; 439/620, 638, 668, 669, 675, 825

[56] **References Cited**

U.S. PATENT DOCUMENTS

- D. 209,284 11/1967 Busch D13/144
- D. 330,885 11/1992 Tattari D13/108
- D. 330,887 11/1992 Wharton D13/144
- D. 339,788 9/1993 Leman et al. D13/108

- D. 339,790 9/1993 Leman et al. D13/133
- D. 341,123 11/1993 Hakanen et al. D13/108
- D. 347,617 6/1994 Tattari D13/107
- D. 348,250 6/1994 Shababy D13/144
- D. 349,096 7/1994 Hyvonen D13/107
- D. 392,617 3/1998 Yokozawa D13/144
- 5,170,067 12/1992 Baum et al. 439/668 X
- 5,593,323 1/1997 Dernehl 439/668

Primary Examiner—Alan P. Douglas
Assistant Examiner—Lavone D. Tabor
Attorney, Agent, or Firm—Perman & Green, LLP

[57] **CLAIM**

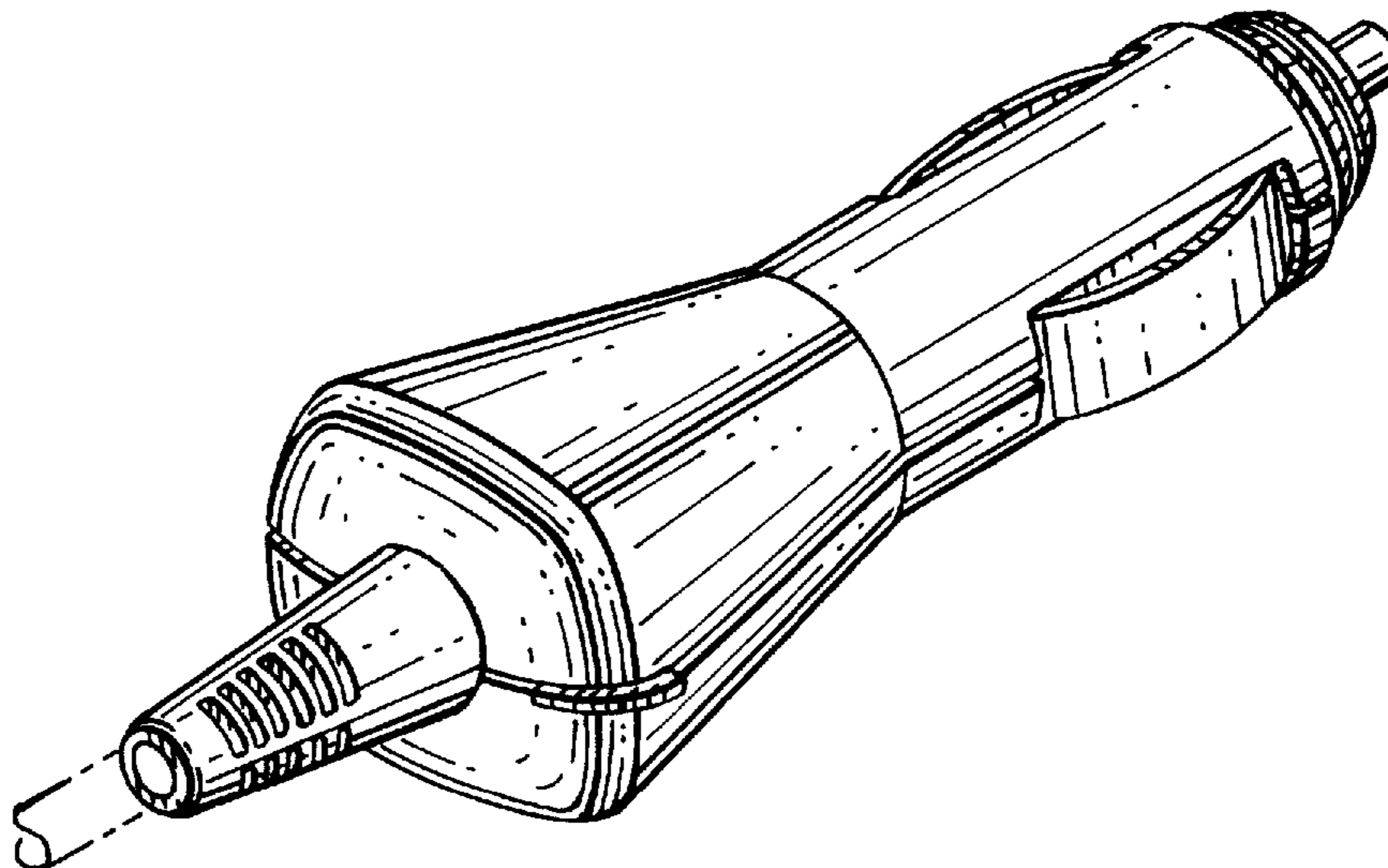
The ornamental design for a cigarette lighter charger, as shown and described.

DESCRIPTION

FIG. 1 is a front perspective view showing & the right side and a bottom view of a cigarette lighter charger showing our new design;
FIG. 2 is a bottom plan view thereof;
FIG. 3 is a front elevation view thereof;
FIG. 4 is a right side view thereof; and,
FIG. 5 is a top plan view thereof.

The electrical cord is shown in broken lines for illustrative purposes only and forms no part of the claimed design.

1 Claim, 2 Drawing Sheets



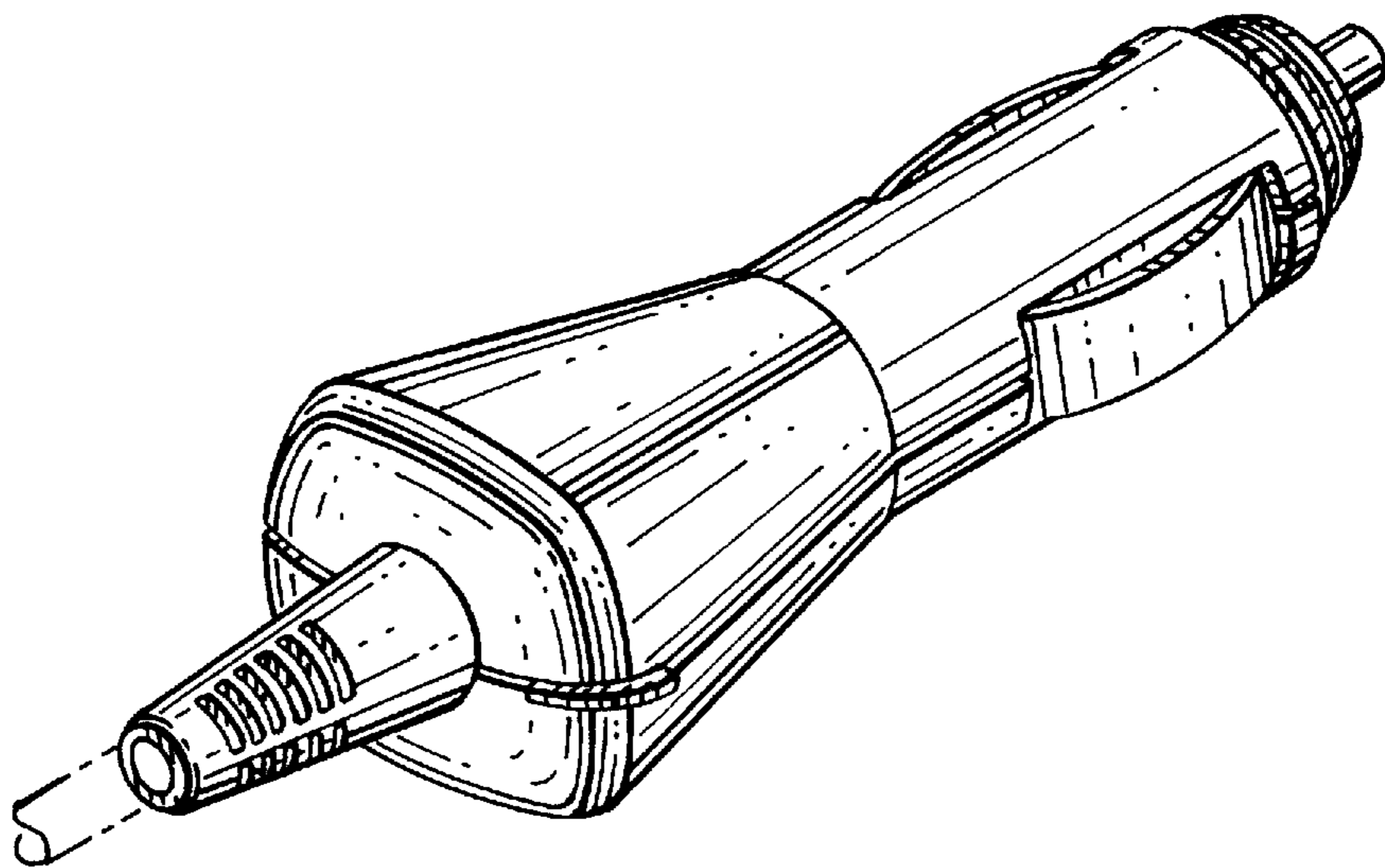


FIG. 1

FIG. 2

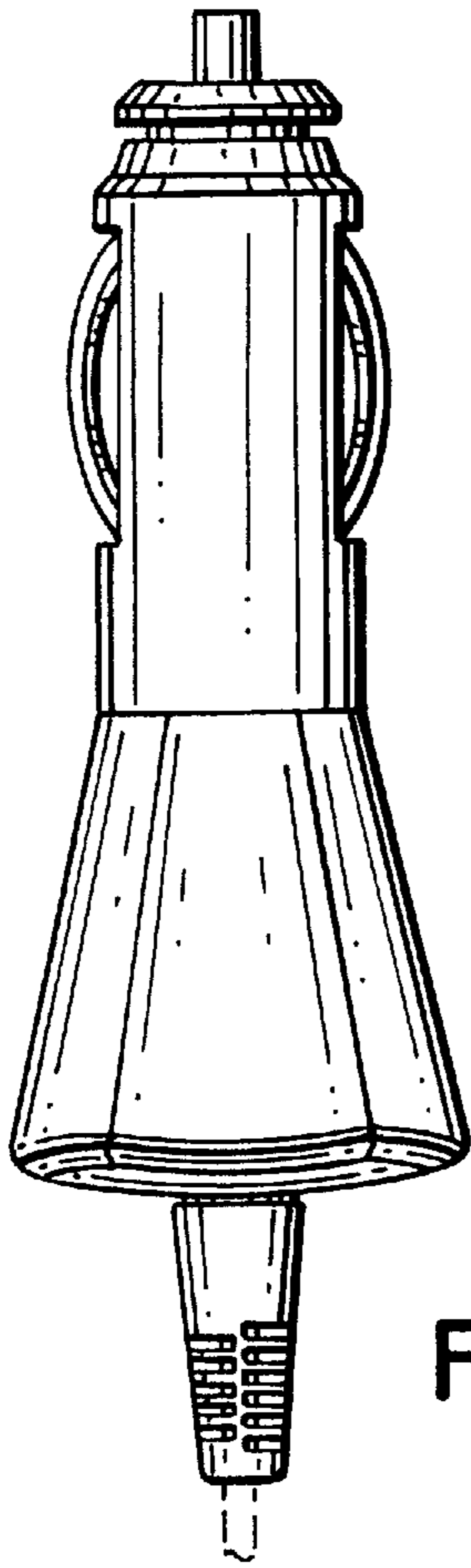
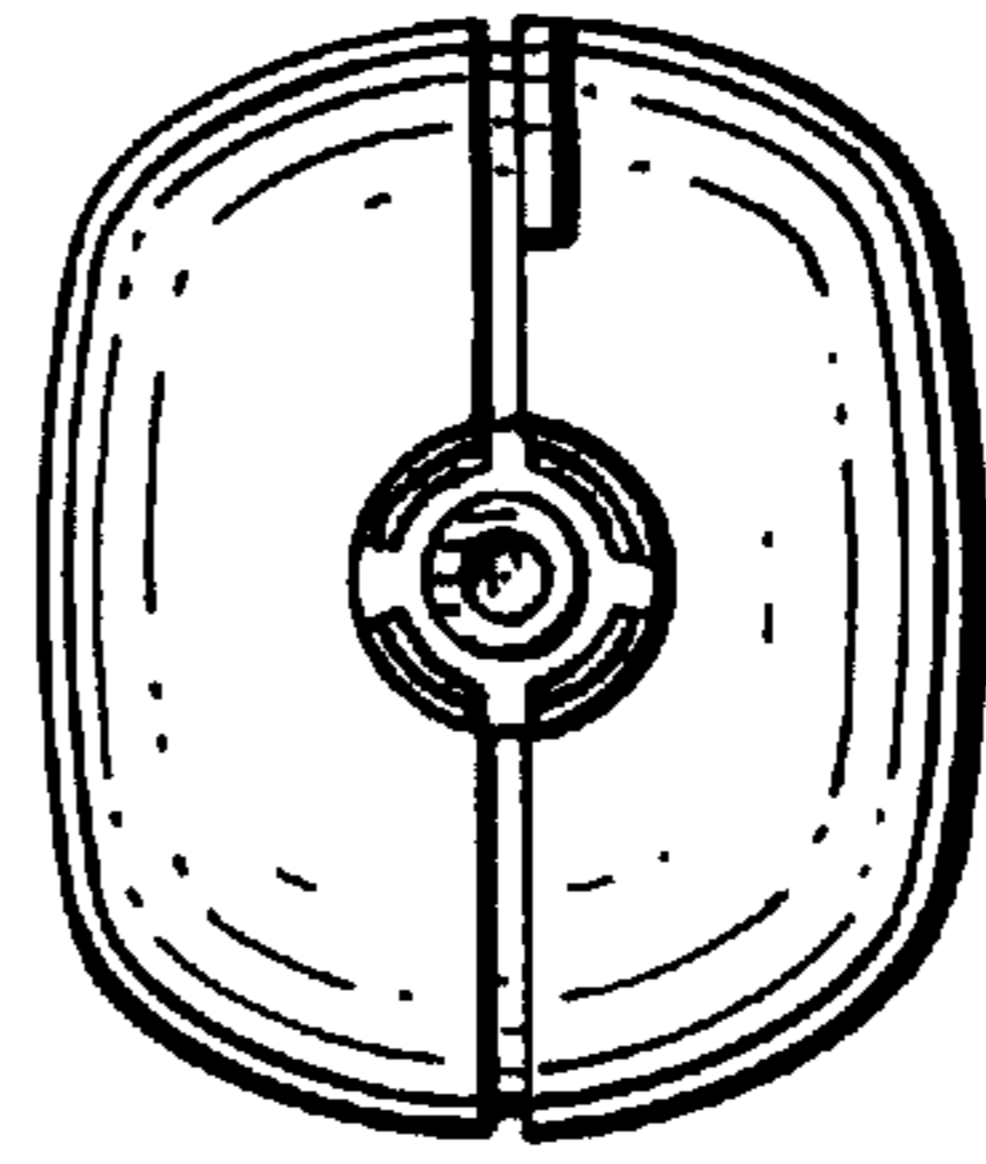


FIG. 3

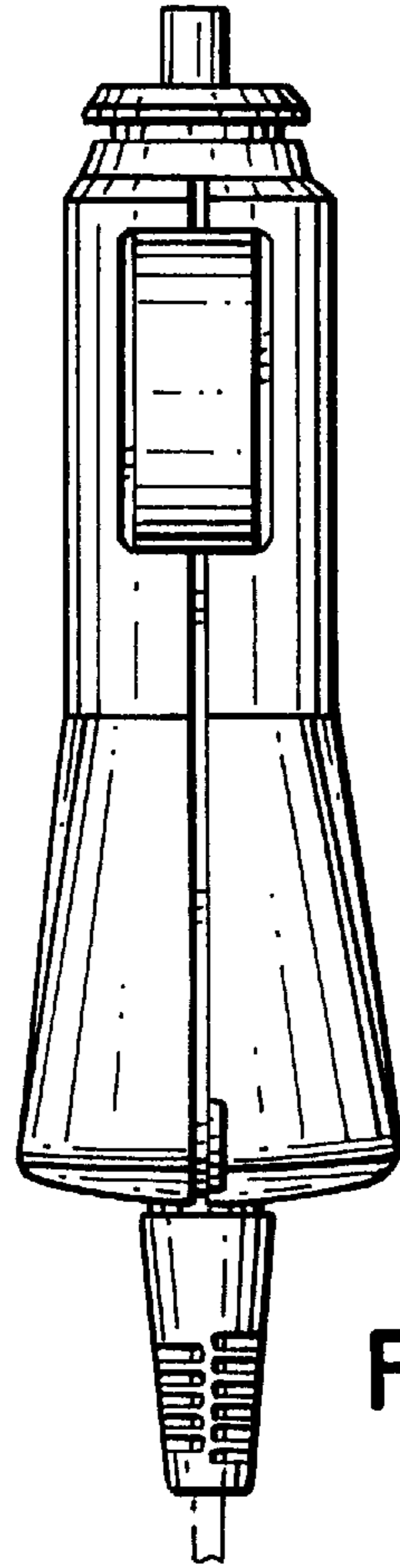


FIG. 4

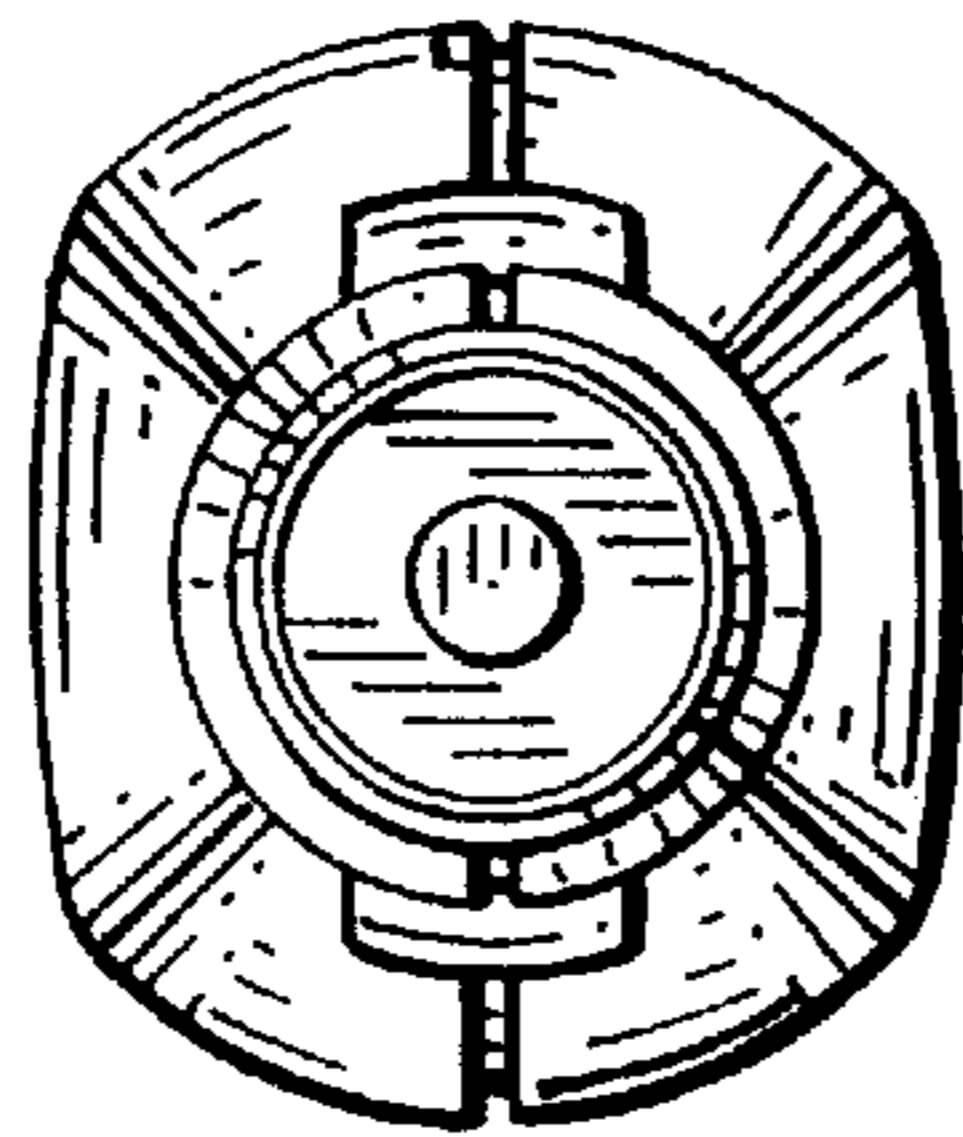


FIG. 5