



US00D406260S

# United States Patent [19] Wardenburg

[11] Patent Number: **Des. 406,260**

[45] Date of Patent: **\*\*Mar. 2, 1999**

[54] **COMBINED ELECTRICAL PLUG AND RECEPTACLE**

[75] Inventor: **Peter Wardenburg**, Novato, Calif.

[73] Assignee: **Hydrofarm, Inc.**, Petaluma, Calif.

[\*\*] Term: **14 Years**

[21] Appl. No.: **73,074**

[22] Filed: **Jul. 2, 1997**

[51] **LOC (6) Cl.** ..... **13-03**

[52] **U.S. Cl.** ..... **D13/137.1**

[58] **Field of Search** ..... D13/137.1, 138.1,  
D13/138.2, 137.4; 439/346, 296, 369, 320,  
283, 278, 345

[56] **References Cited**

**U.S. PATENT DOCUMENTS**

3,884,849	5/1975	Bailey et al.	439/320 X
4,703,989	11/1987	Price et al.	439/283
4,940,424	7/1990	Odbert	439/369
5,100,341	3/1992	Czyz et al.	429/320 X
5,649,835	7/1997	Weed	439/320

*Primary Examiner*—Susan J. Lucas

*Assistant Examiner*—Jennifer Rivard

*Attorney, Agent, or Firm*—Thomas M. Freiburger

[57] **CLAIM**

The ornamental design for a combined electrical plug and receptacle, as shown and described.

**DESCRIPTION**

FIG. 1 is a perspective view of a combined electrical plug and according to my new design;

FIG. 2 is an exploded perspective view thereof, with the plug and receptacle separated;

FIG. 3 is a top plan view of the receptacle alone, the bottom plan view being a mirror image;

FIG. 4 is a side elevation view of the receptacle alone, the opposite side view being a mirror image;

FIG. 5 is a front end view of the receptacle alone;

FIG. 6 is a back end view of the receptacle alone;

FIG. 7 is a top plan view of the plug alone, the bottom plan view being a mirror image;

FIG. 8 is a side elevation view of the plug alone, the opposite side elevation view being a mirror image;

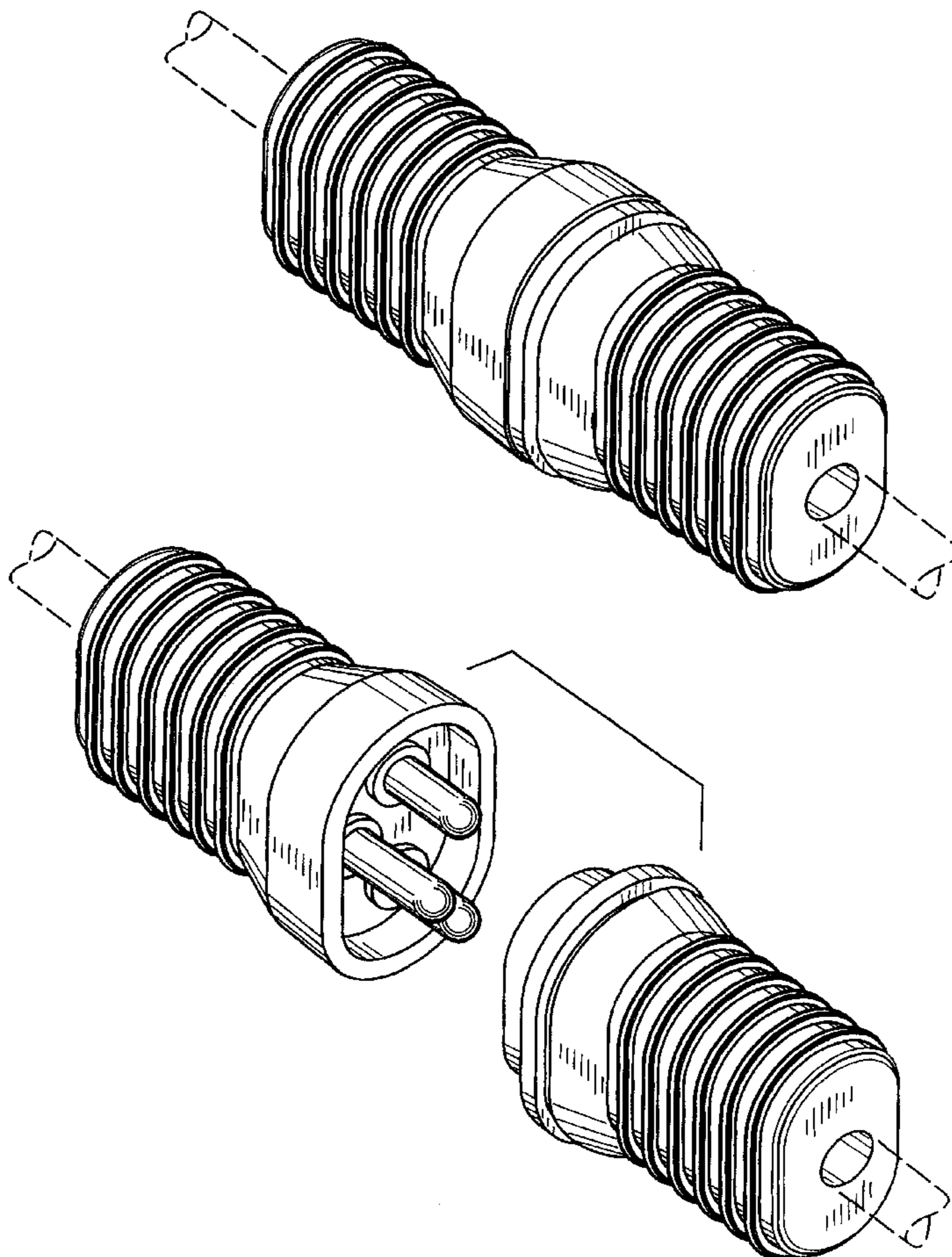
FIG. 9 is a front end view of the plug alone; and,

FIG. 10 is a back end view of the plug alone.

The broken lines are shown for illustrative purposes only and form no part of the claimed design.

For the purposes of disclosure, the plug has been omitted in FIGS. 3–6 and the receptacle has been omitted in FIGS. 7–10.

**1 Claim, 2 Drawing Sheets**



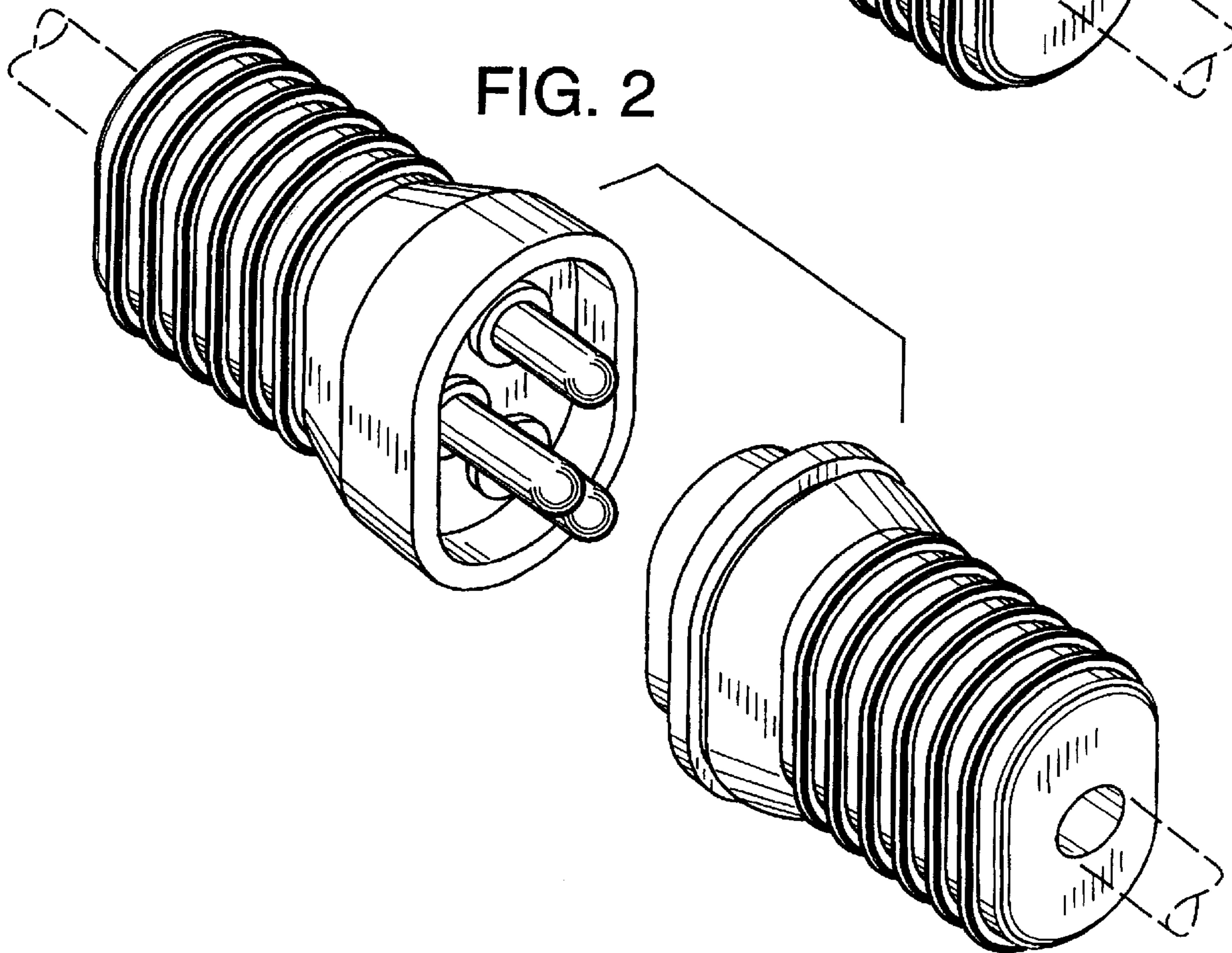
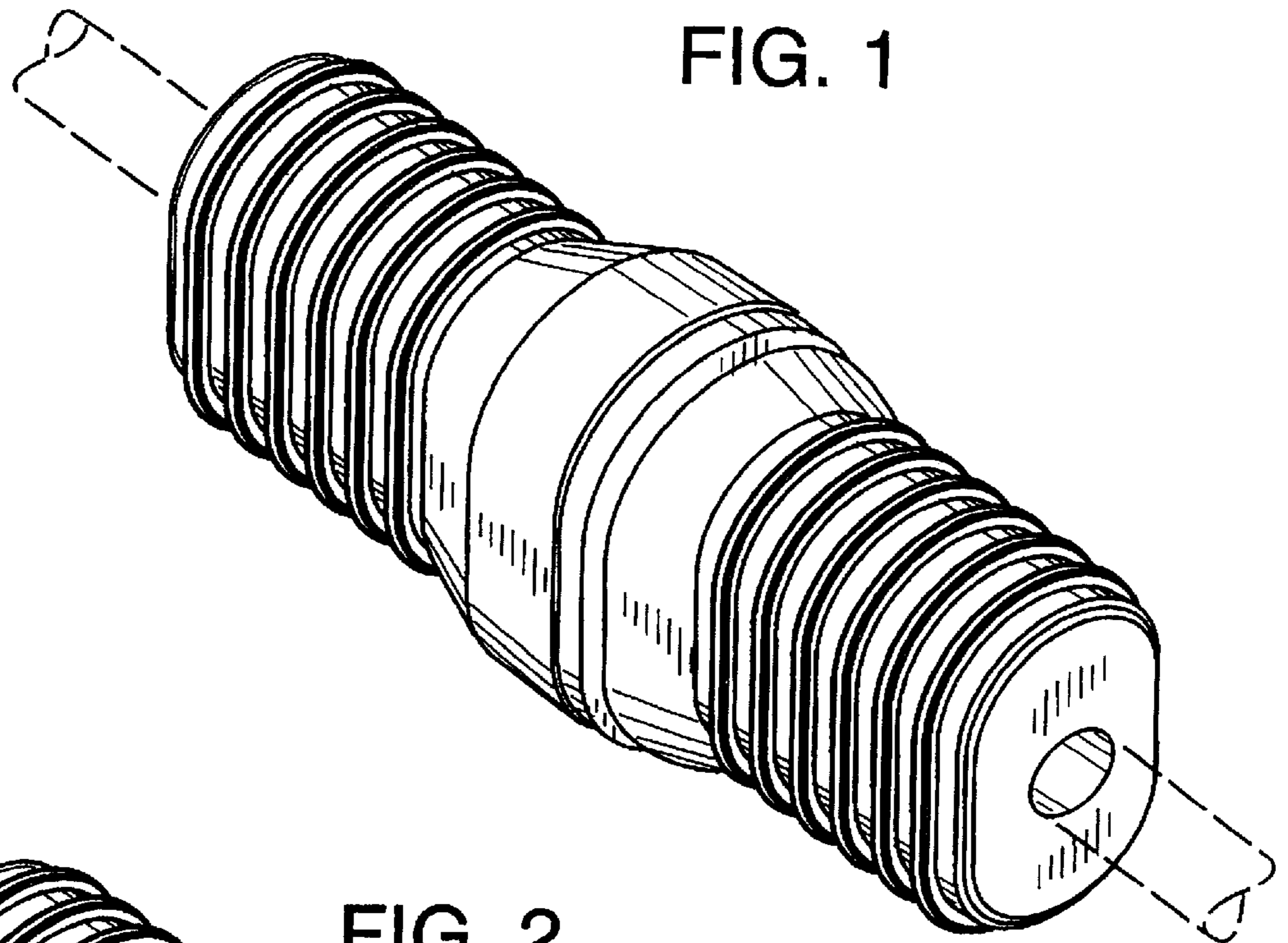


FIG. 3

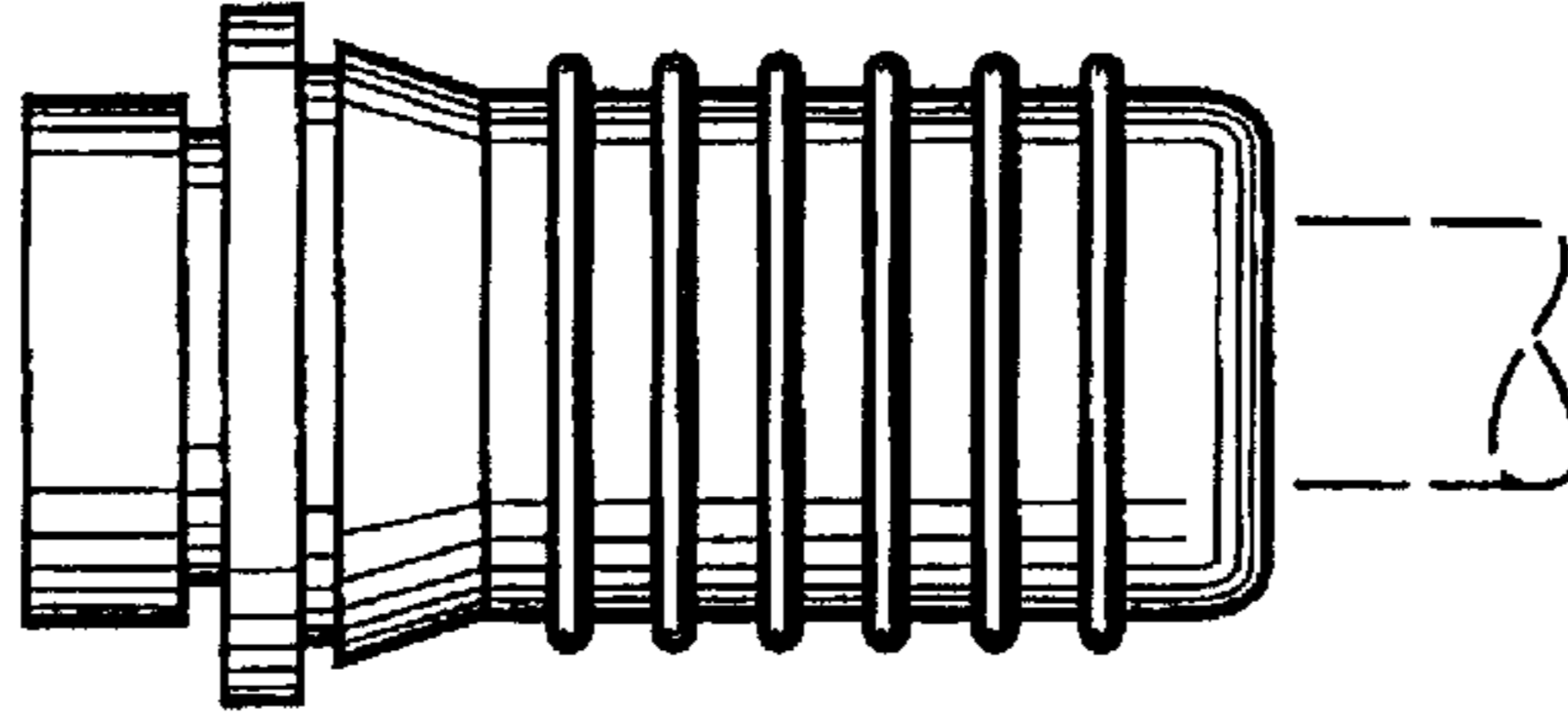


FIG. 5

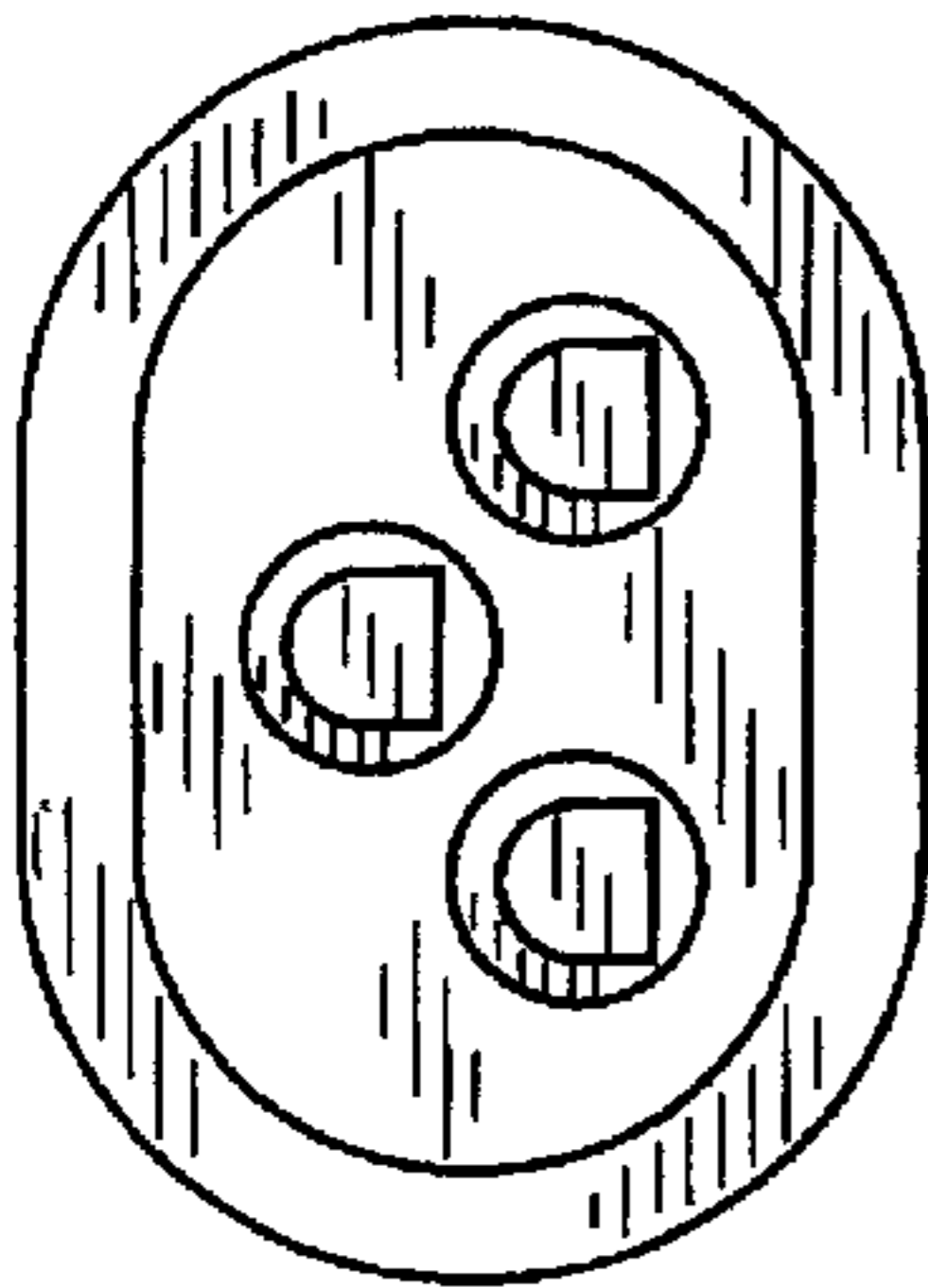


FIG. 4

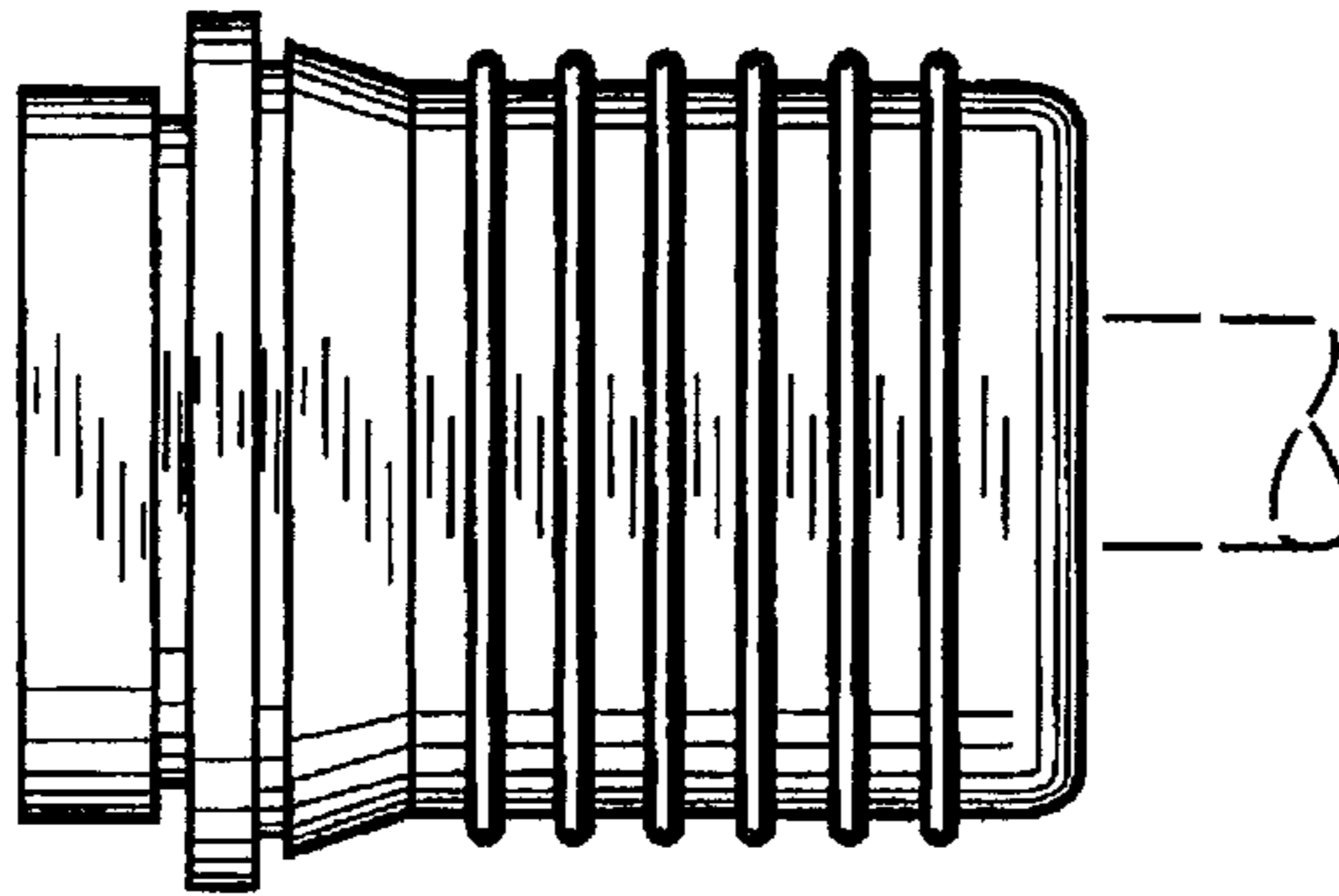


FIG. 6

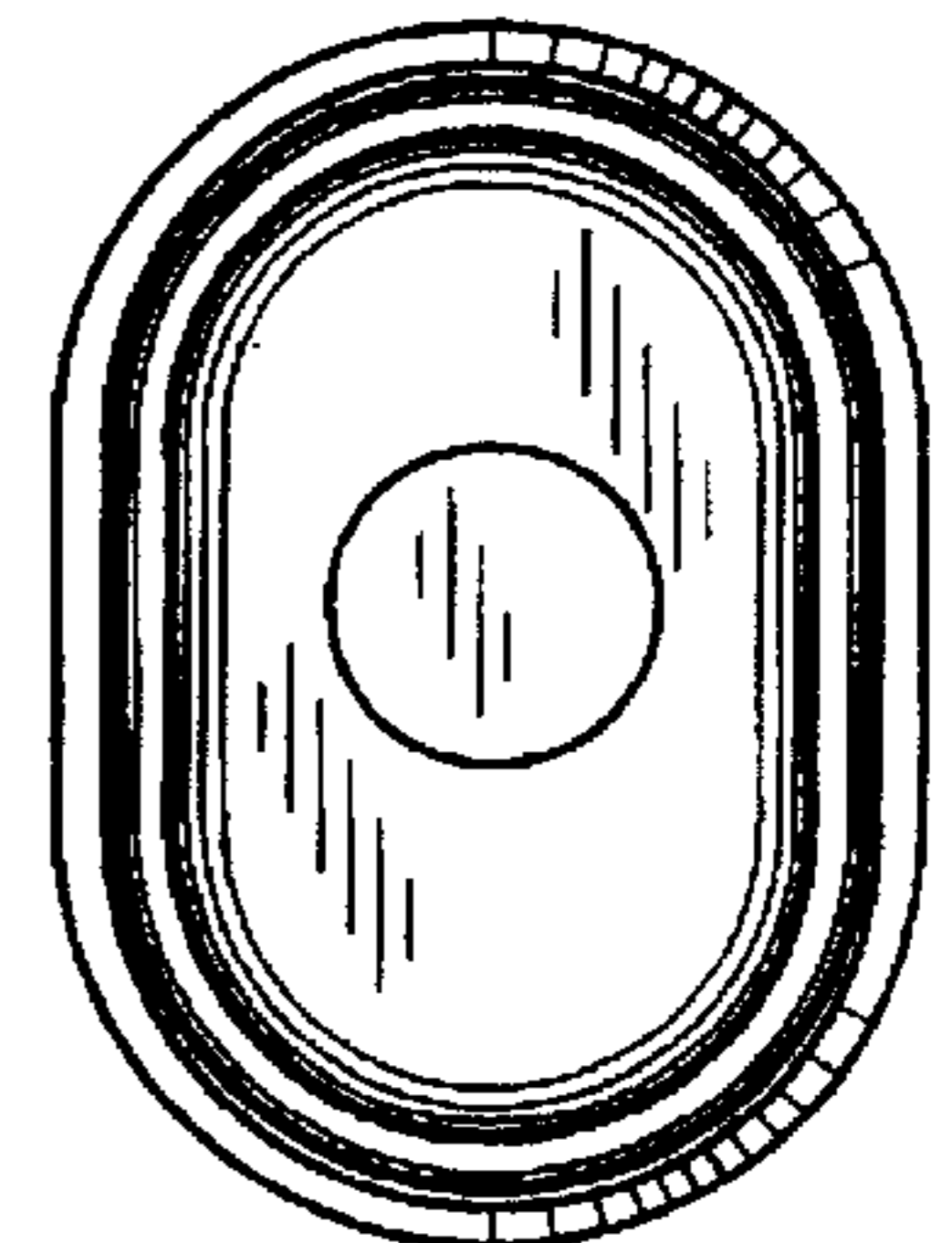


FIG. 7

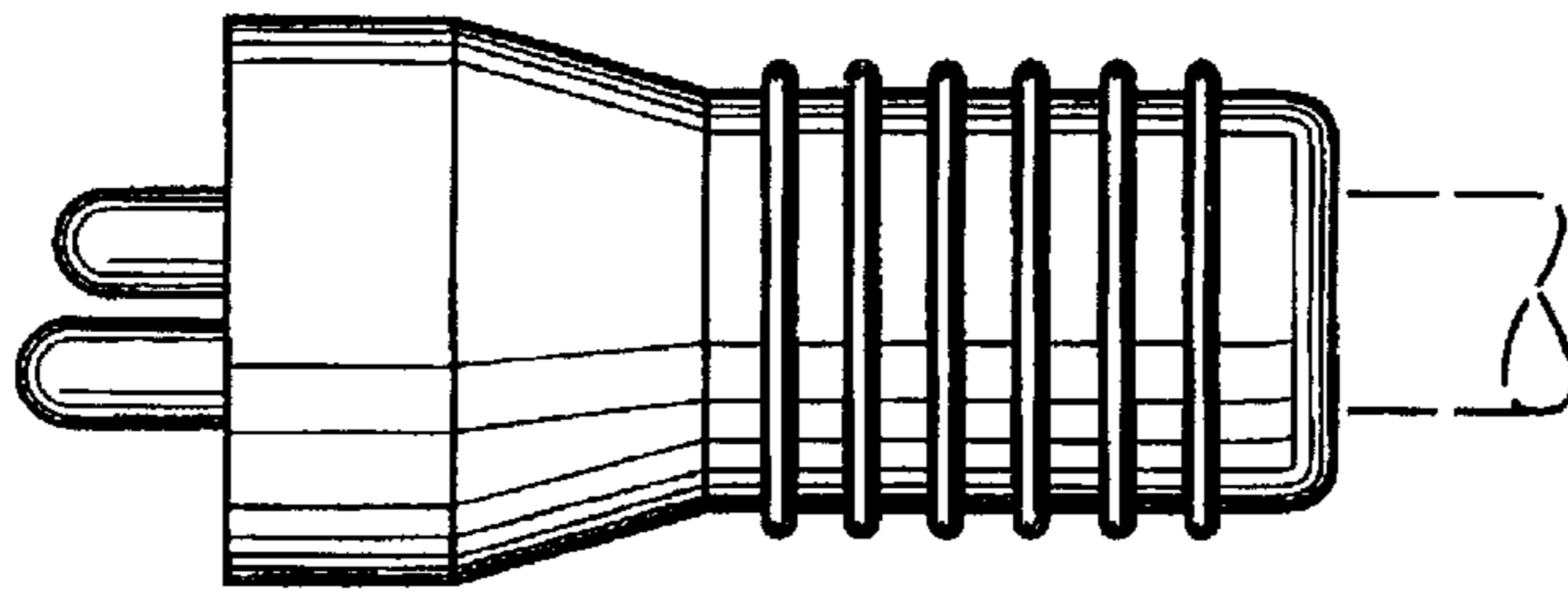


FIG. 9

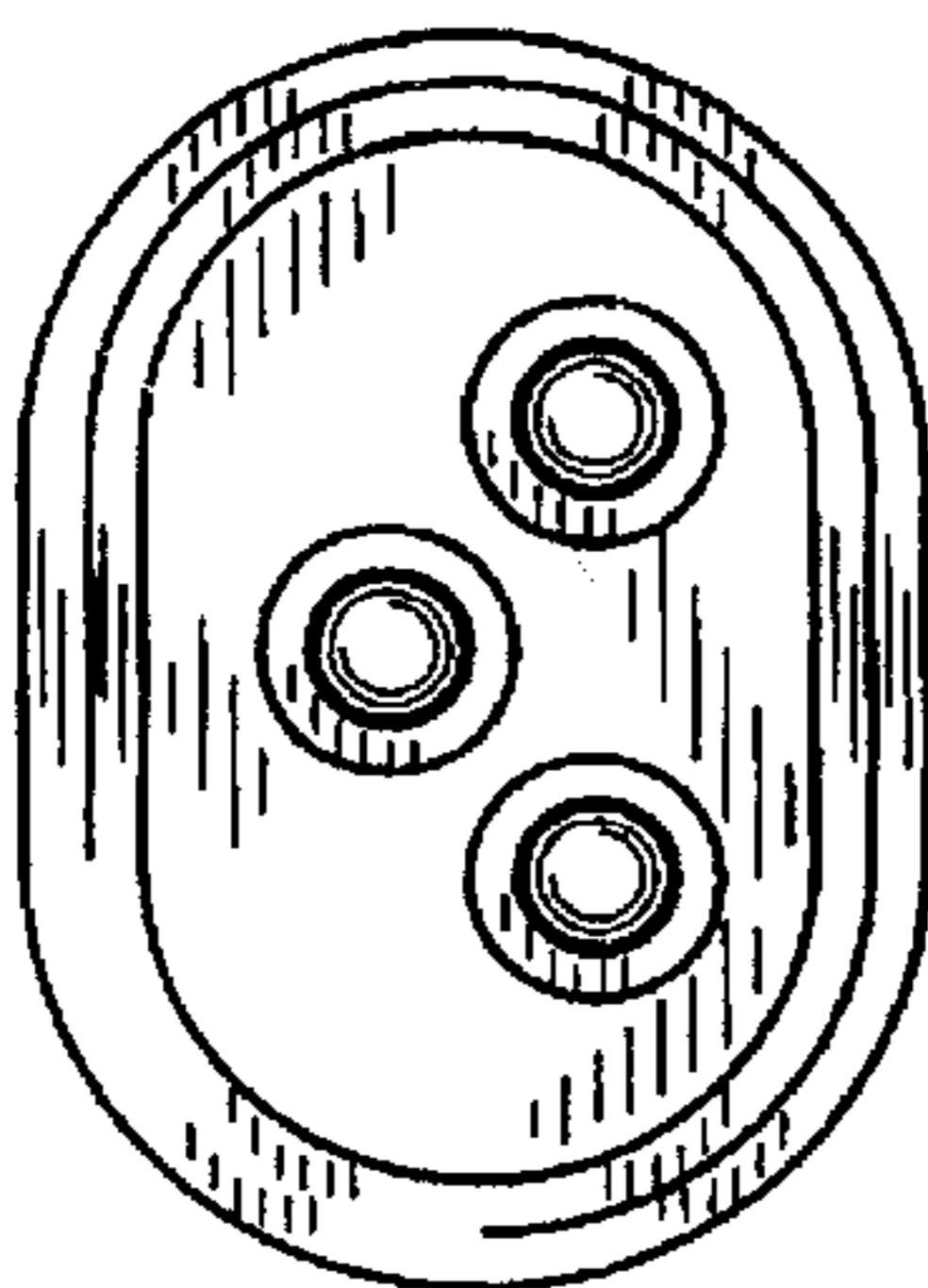


FIG. 8

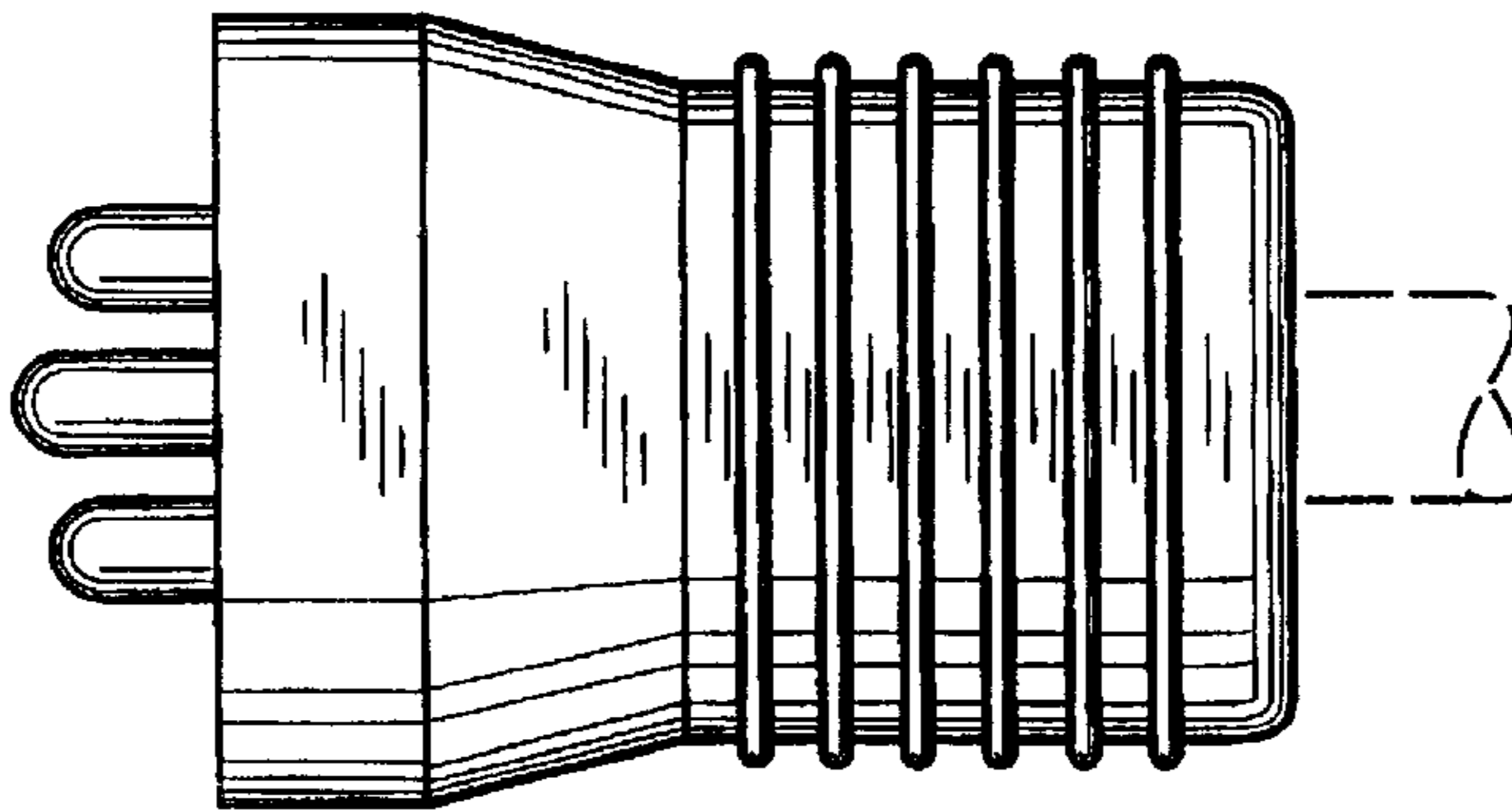


FIG. 10

