



US00D406256S

United States Patent [19]

[11] **Patent Number: Des. 406,256**

Pestel et al.

[45] **Date of Patent: **Mar. 2, 1999**

[54] **OARLOCK**

4,309,173	1/1982	Leber	440/109
4,358,281	11/1982	Woodward	440/109
4,623,315	11/1986	Carter	440/106
4,941,855	7/1990	Agner	440/104

[75] Inventors: **Dominique Pestel**, Courbevoie; **Lionel Braud**, Villenouvelle, both of France

[73] Assignee: **Zodiac International**, Issy Les Moulineaux, France

[**] Term: **14 Years**

[21] Appl. No.: **82,052**

[22] Filed: **Jan. 13, 1998**

[30] **Foreign Application Priority Data**

Jul. 17, 1997 [FR] France 974159

[51] **LOC (6) Cl.** **12-06**

[52] **U.S. Cl.** **D12/317; D12/215**

[58] **Field of Search** D12/302, 317, D12/318, 215; D8/354, 363; 114/364, 363; 440/104, 106, 109

[56] **References Cited**

U.S. PATENT DOCUMENTS

D. 162,910	4/1951	Wallace	D12/317
D. 235,865	7/1975	Bellis	D12/317
2,734,205	2/1956	Preiss	281/515

FOREIGN PATENT DOCUMENTS

2267239	4/1974	France .
2365481	1/1977	France .
0297920	1/1989	France .
1212125	11/1969	United Kingdom .
2046688	11/1980	United Kingdom .

Primary Examiner—Kay H. Chin
Attorney, Agent, or Firm—Gary M. Nath; Nath & Associates

[57] **CLAIM**

The ornamental design for a oarlock, as shown.

DESCRIPTION

FIG. 1 is a front elevation view thereof;
FIG. 2 is a top plan view thereof;
FIG. 3 is a rear elevation view thereof;
FIG. 4 is a bottom plan view thereof;
FIG. 5 is an elevation view of the left side thereof; and,
FIG. 6 is an elevation view of the right side thereof.

1 Claim, 5 Drawing Sheets

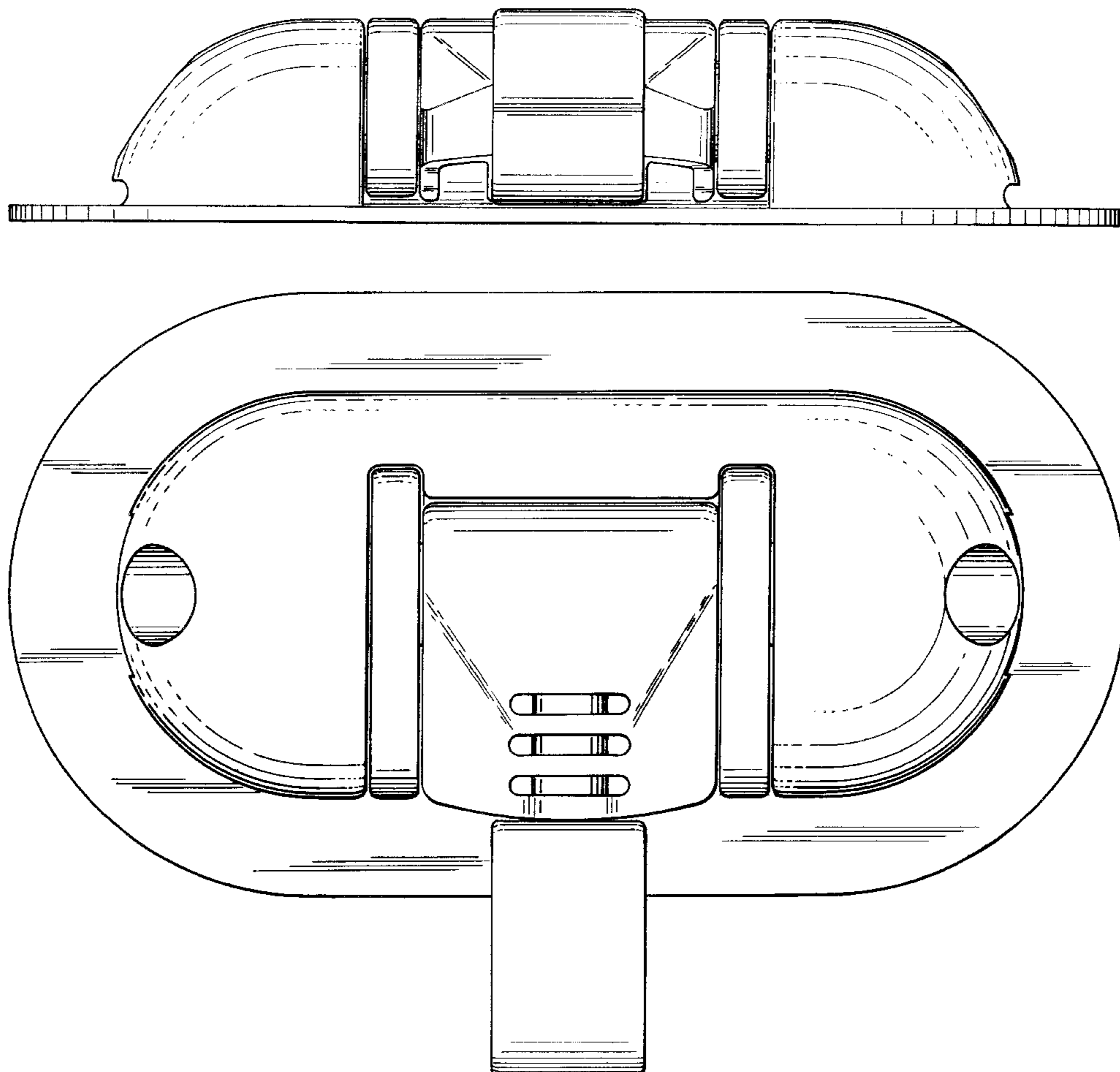


FIG.1.

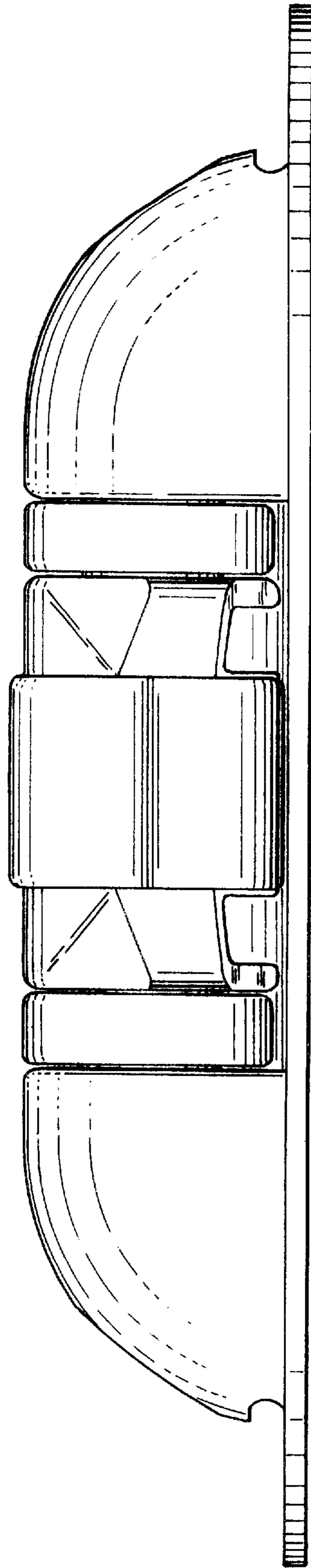


FIG. 2.

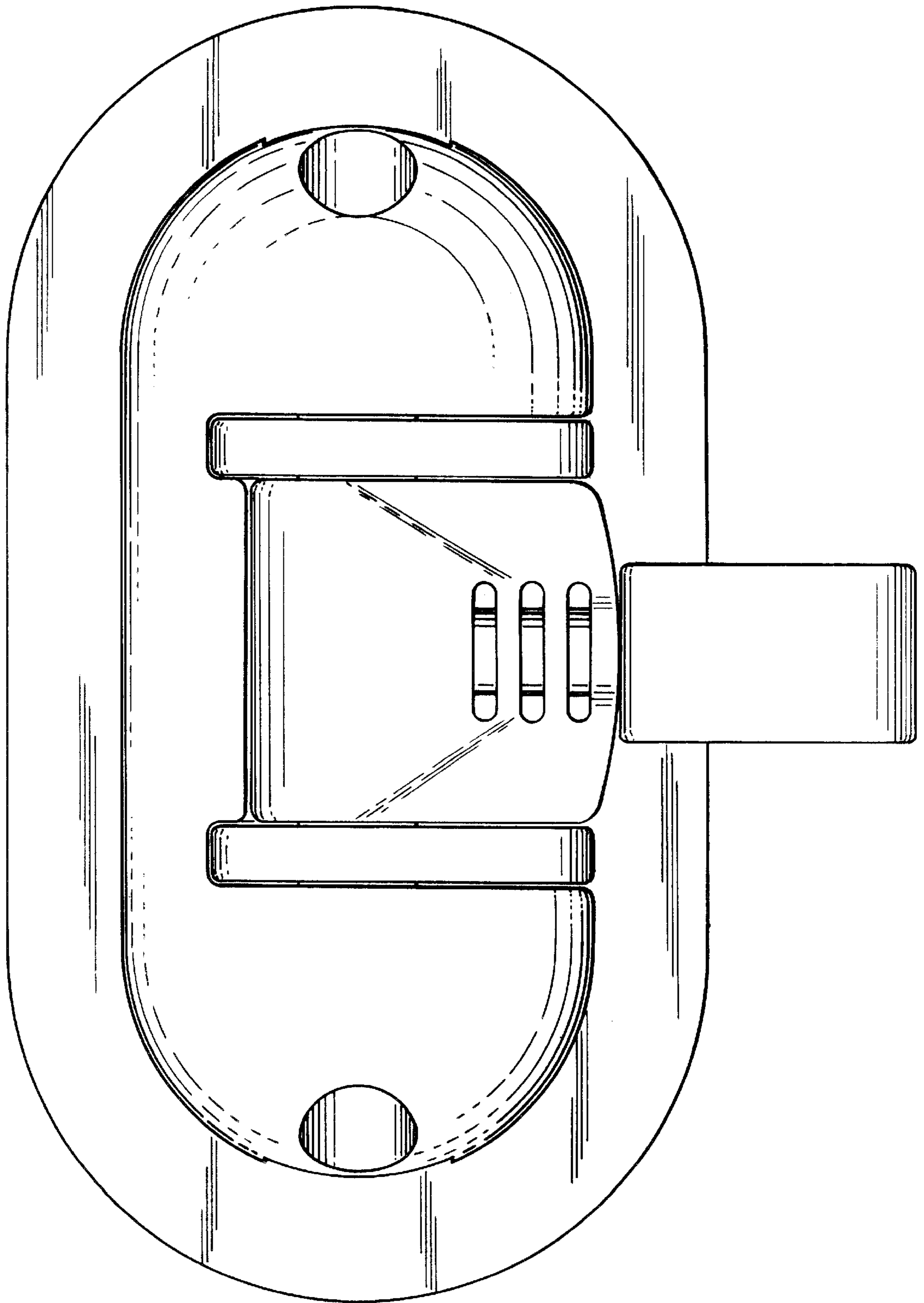


FIG. 3.

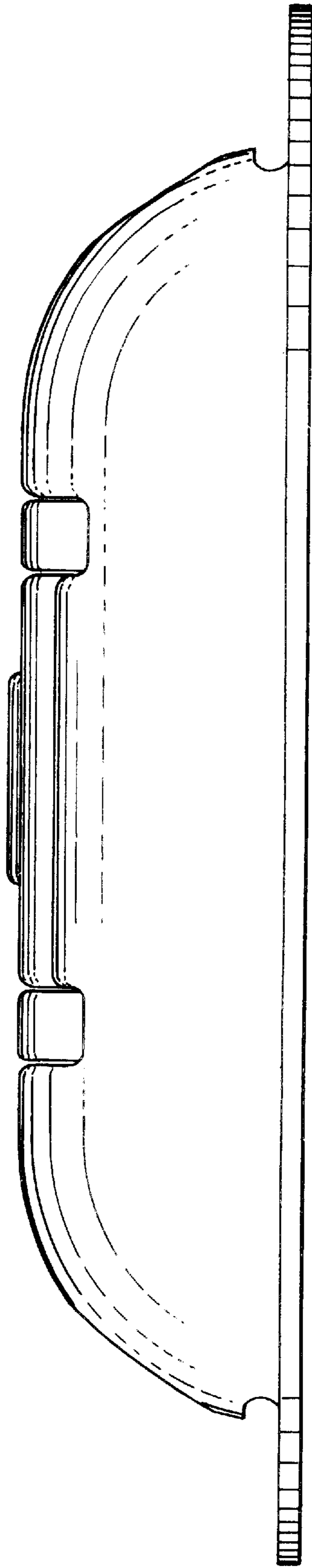


FIG. 4.

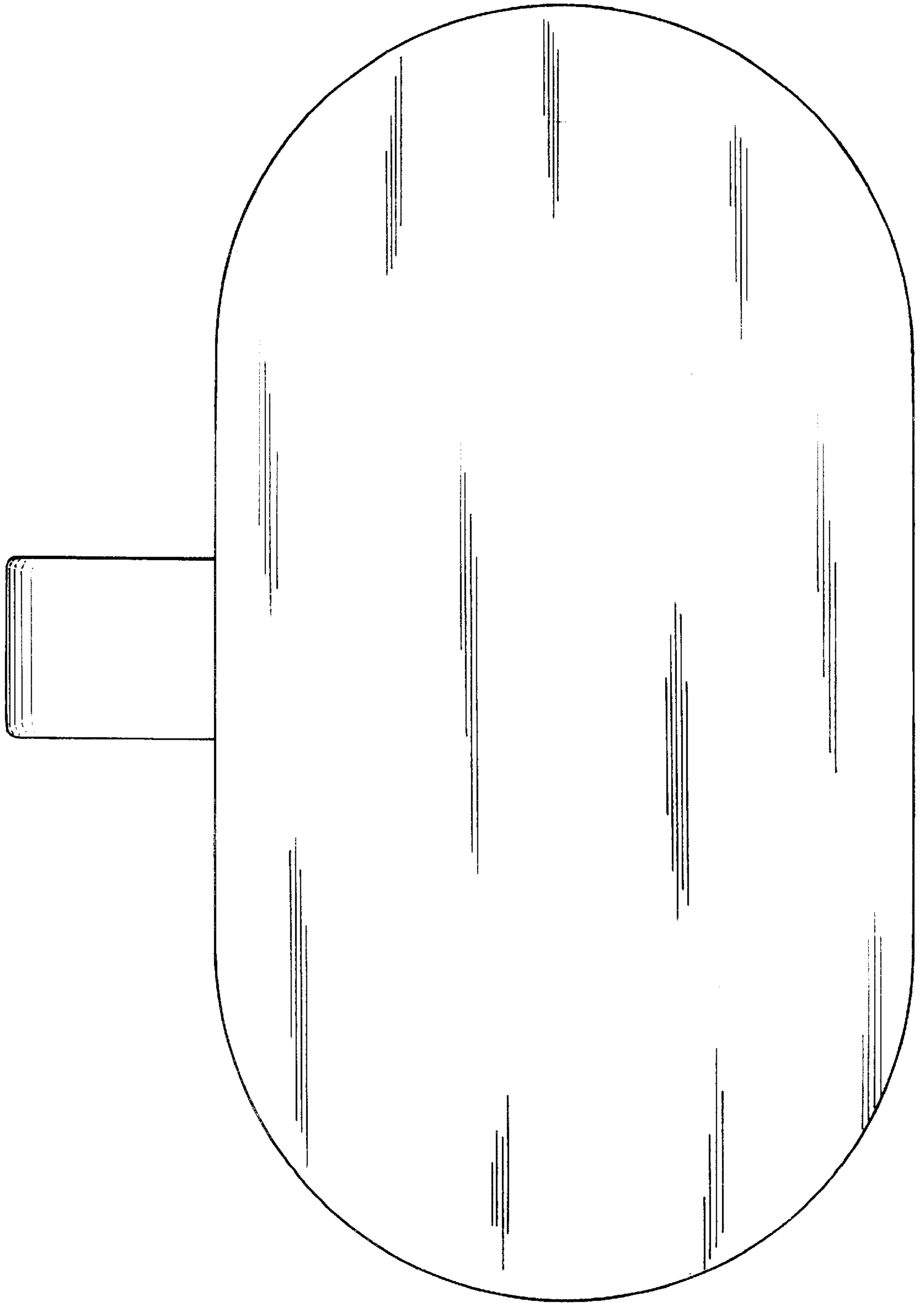


FIG. 5.

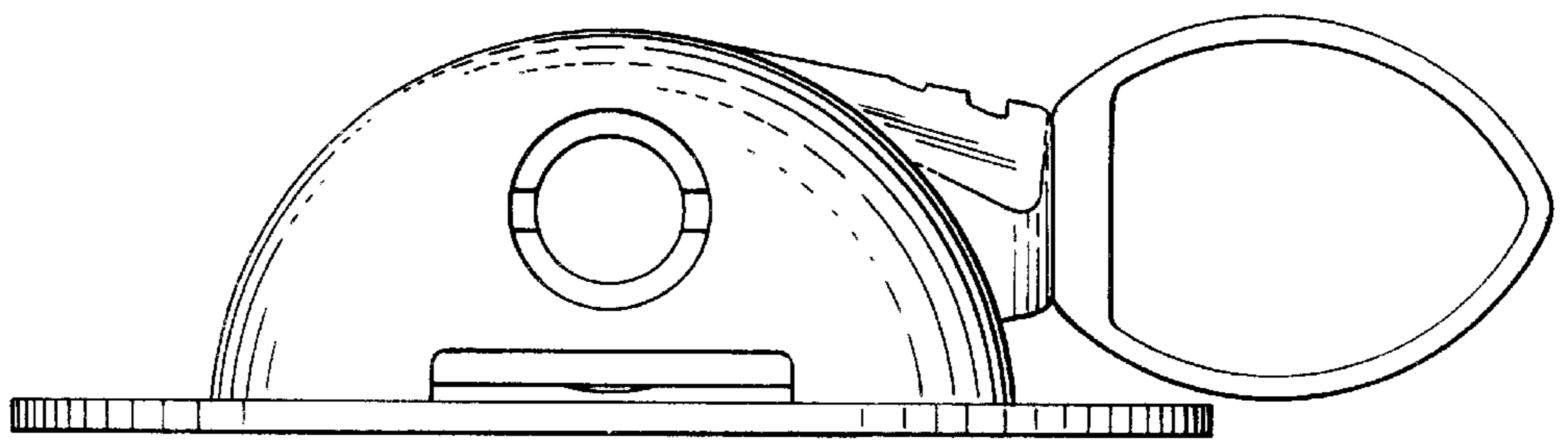


FIG. 6.

