



US00D406253S

United States Patent [19]

Yamashita et al.

[11] Patent Number: **Des. 406,253**

[45] Date of Patent: ****Mar. 2, 1999**

[54] ENGINE POWER ASSISTED BICYCLE

[75] Inventors: **Izumi Yamashita; Akiyoshi Suzuki,**
both of Iwata, Japan

[73] Assignee: **Yamaha Hatsudoki Kabushiki Kaisha,**
Iwata, Japan

[**] Term: **14 Years**

[21] Appl. No.: **71,252**

[22] Filed: **May 27, 1997**

[51] LOC (6) Cl. **12-11**

[52] U.S. Cl. **D12/110**

[58] Field of Search D12/110, 111;
280/281.1, 288.1-288.3

[56] **References Cited**

U.S. PATENT DOCUMENTS

D. 241,527	9/1976	Kojo	D12/110
D. 269,772	7/1983	Hahn	D12/110
D. 274,611	7/1984	Nakano et al.	D12/110
D. 281,615	12/1985	Barbato et al.	D12/110

D. 294,338	2/1988	Yamada et al.	D12/110
D. 302,801	8/1989	Lacroix	D12/110
D. 343,810	2/1994	Sanborn	D12/111
D. 359,014	6/1995	Haney et al.	D12/111

Primary Examiner—Melody N. Brown
Attorney, Agent, or Firm—Knobbe, Martens, Olson & Bear
LLP

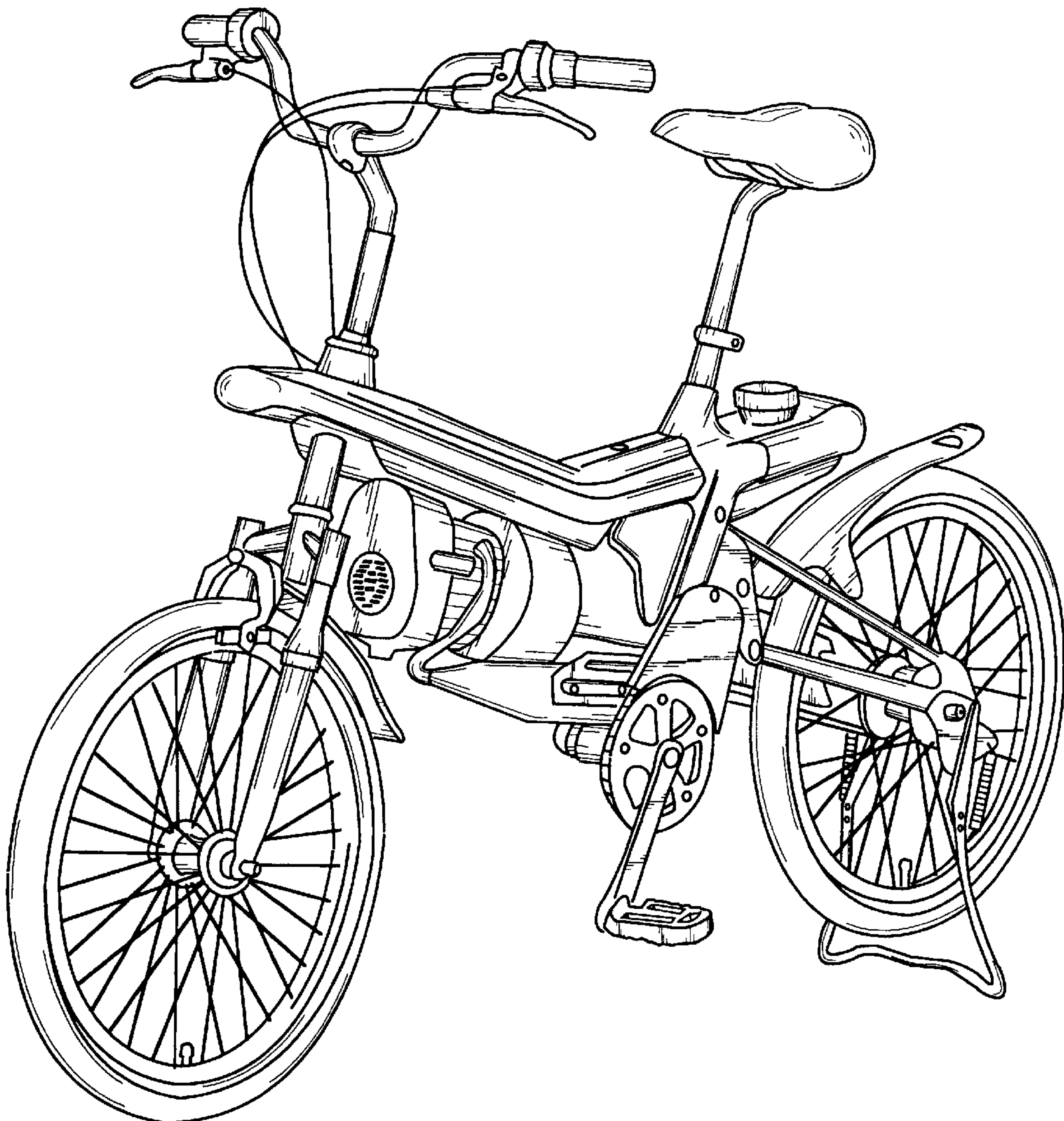
[57] **CLAIM**

The ornamental design for an engine power assisted bicycle, as shown and described.

DESCRIPTION

FIG. 1 is a front left hand side perspective view of an engine power assisted bicycle embodying the design; FIG. 2 is a left side elevational view thereof; FIG. 3 is a right side elevational view thereof; FIG. 4 is a front elevational view thereof; FIG. 5 is a rear elevational view thereof; FIG. 6 is a top plan view thereof; and, FIG. 7 is a bottom plan view thereof.

1 Claim, 7 Drawing Sheets



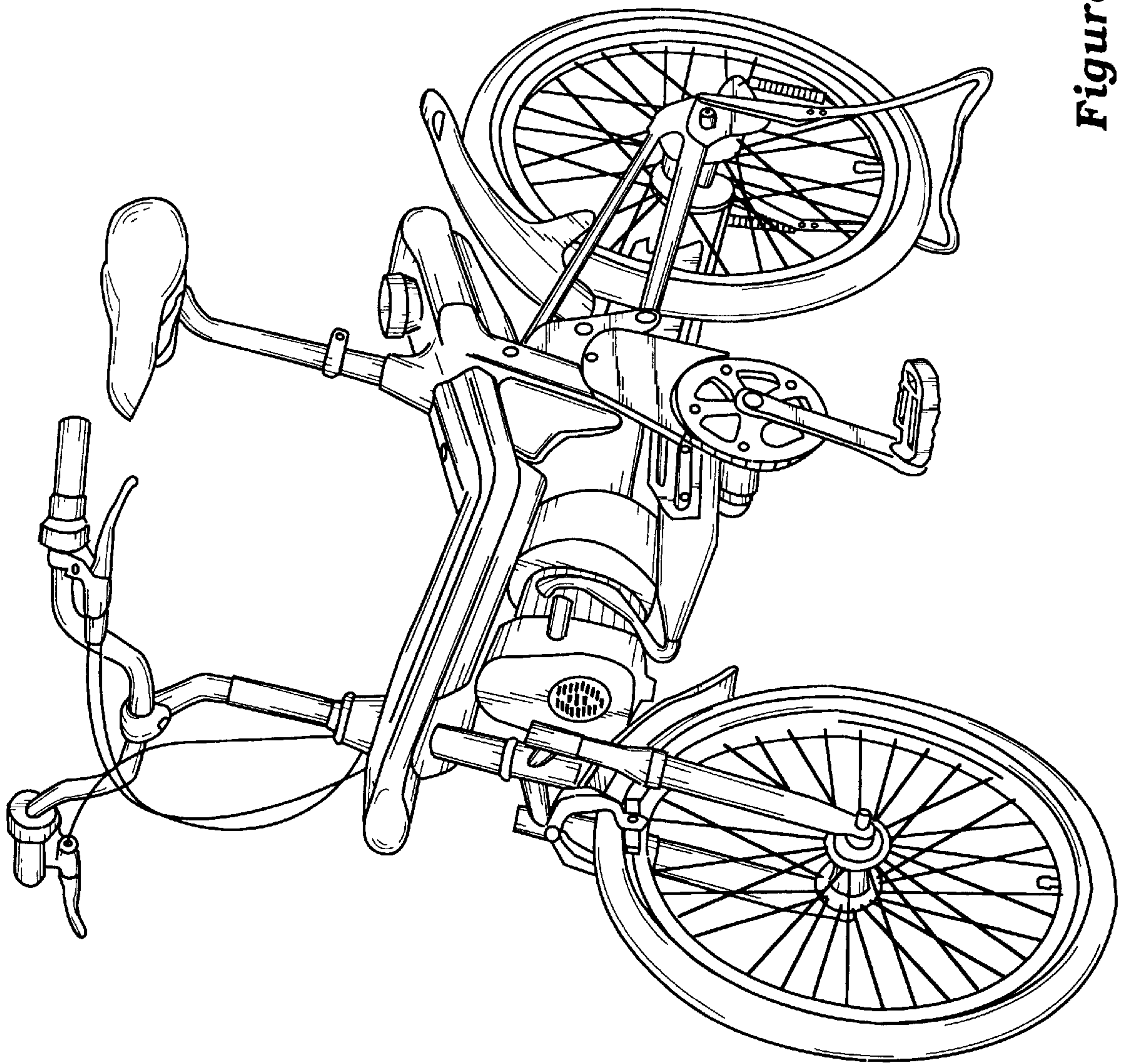


Figure 1

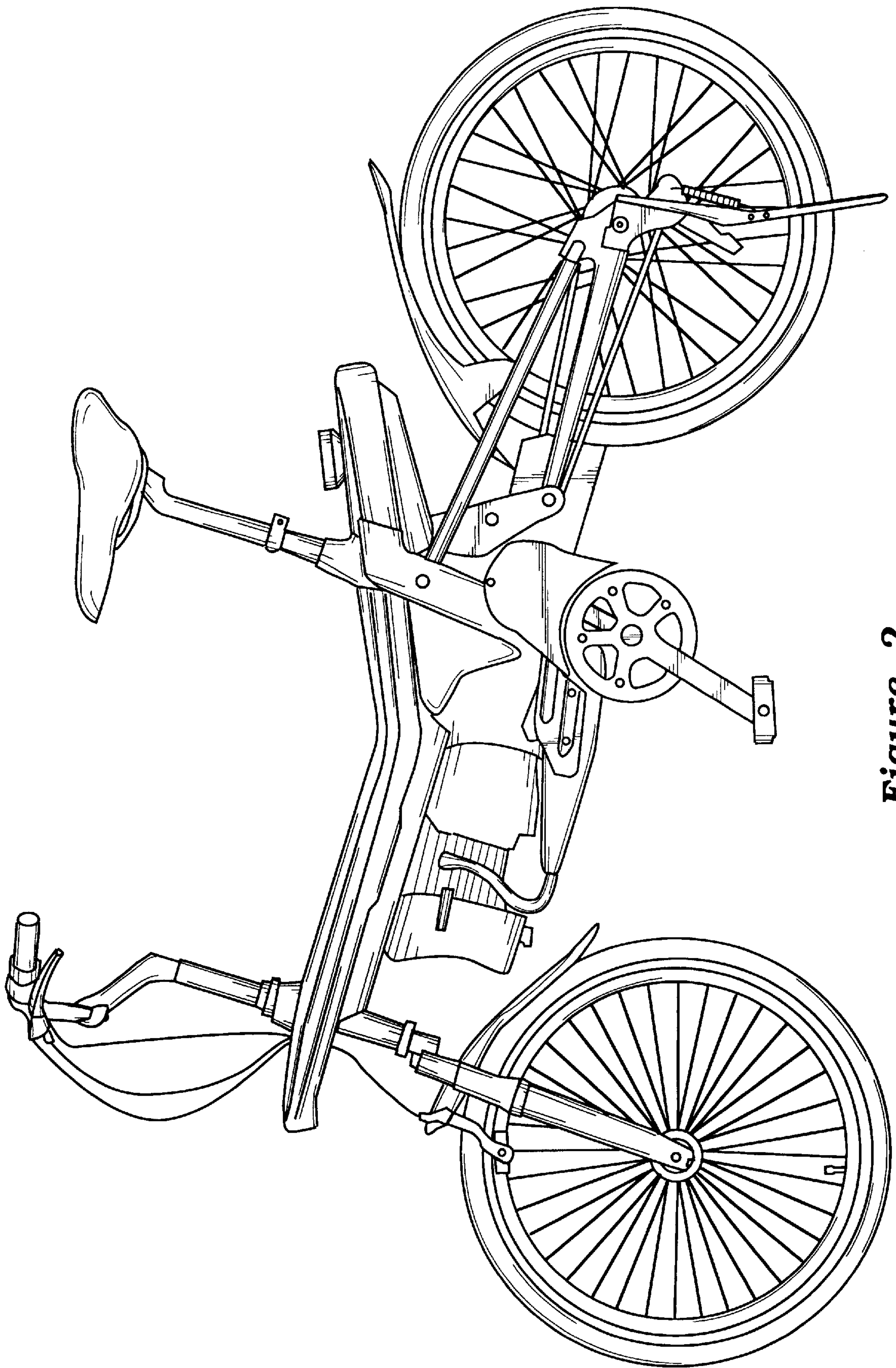


Figure 2

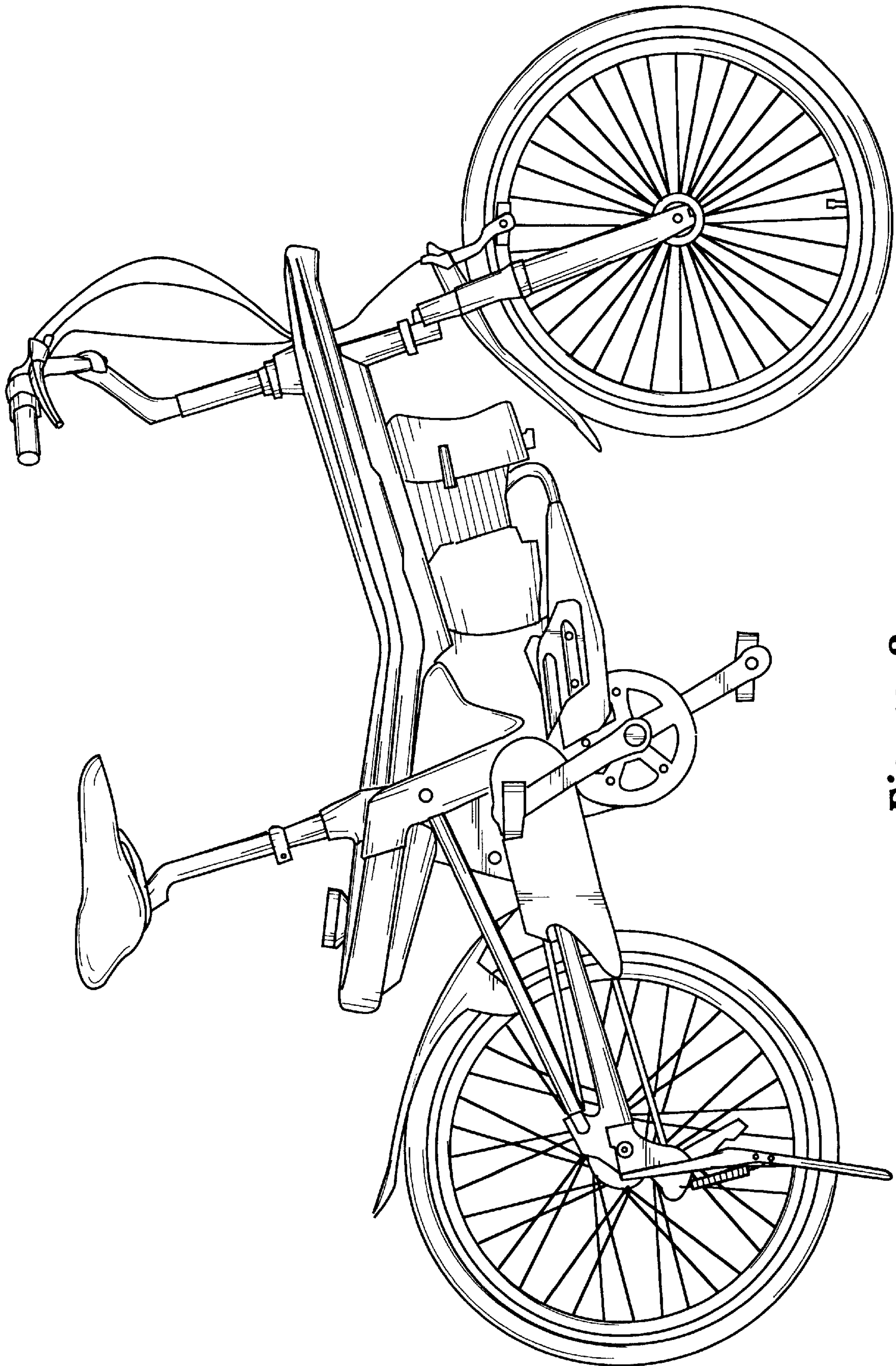


Figure 3

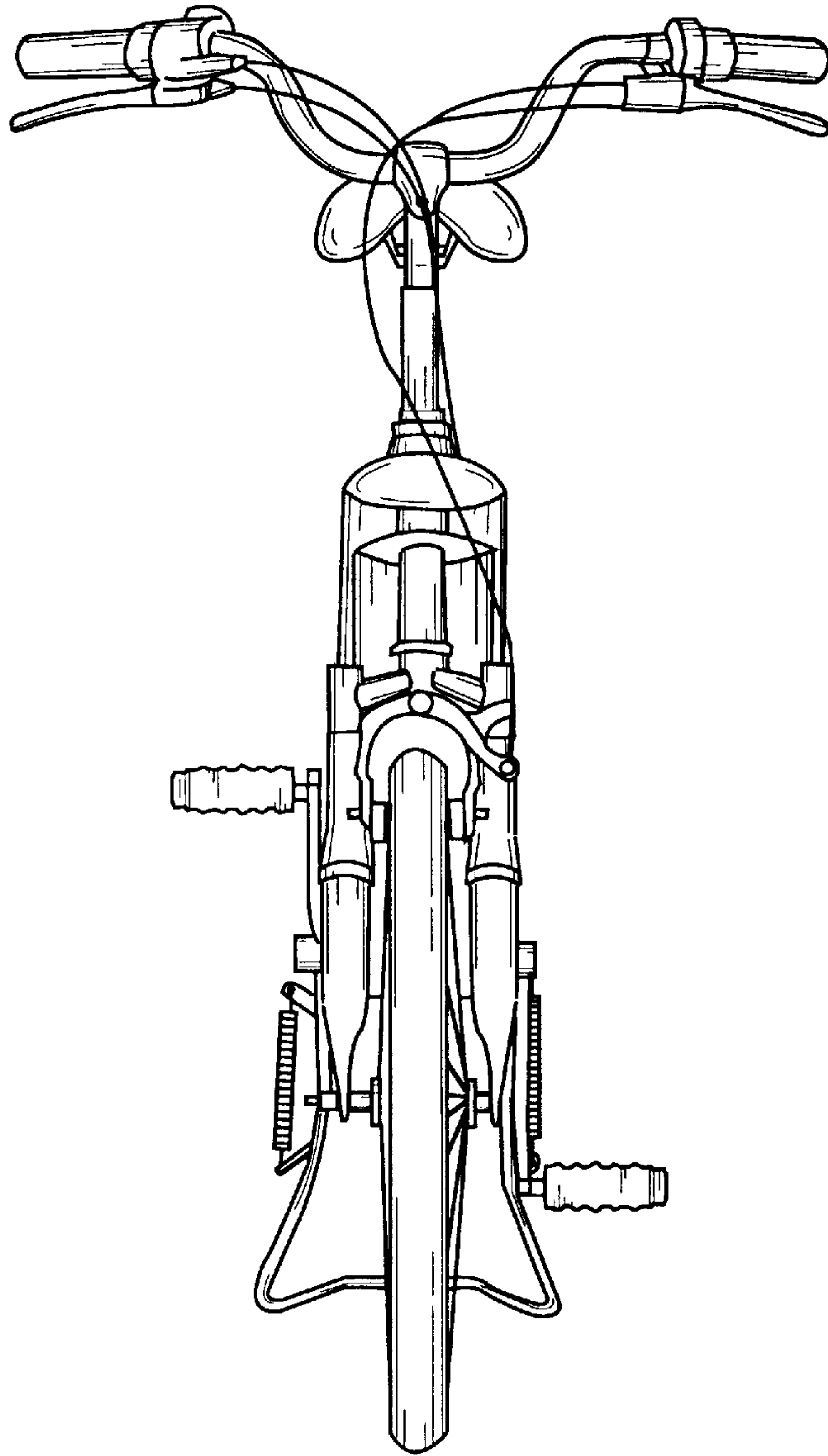


Figure 4

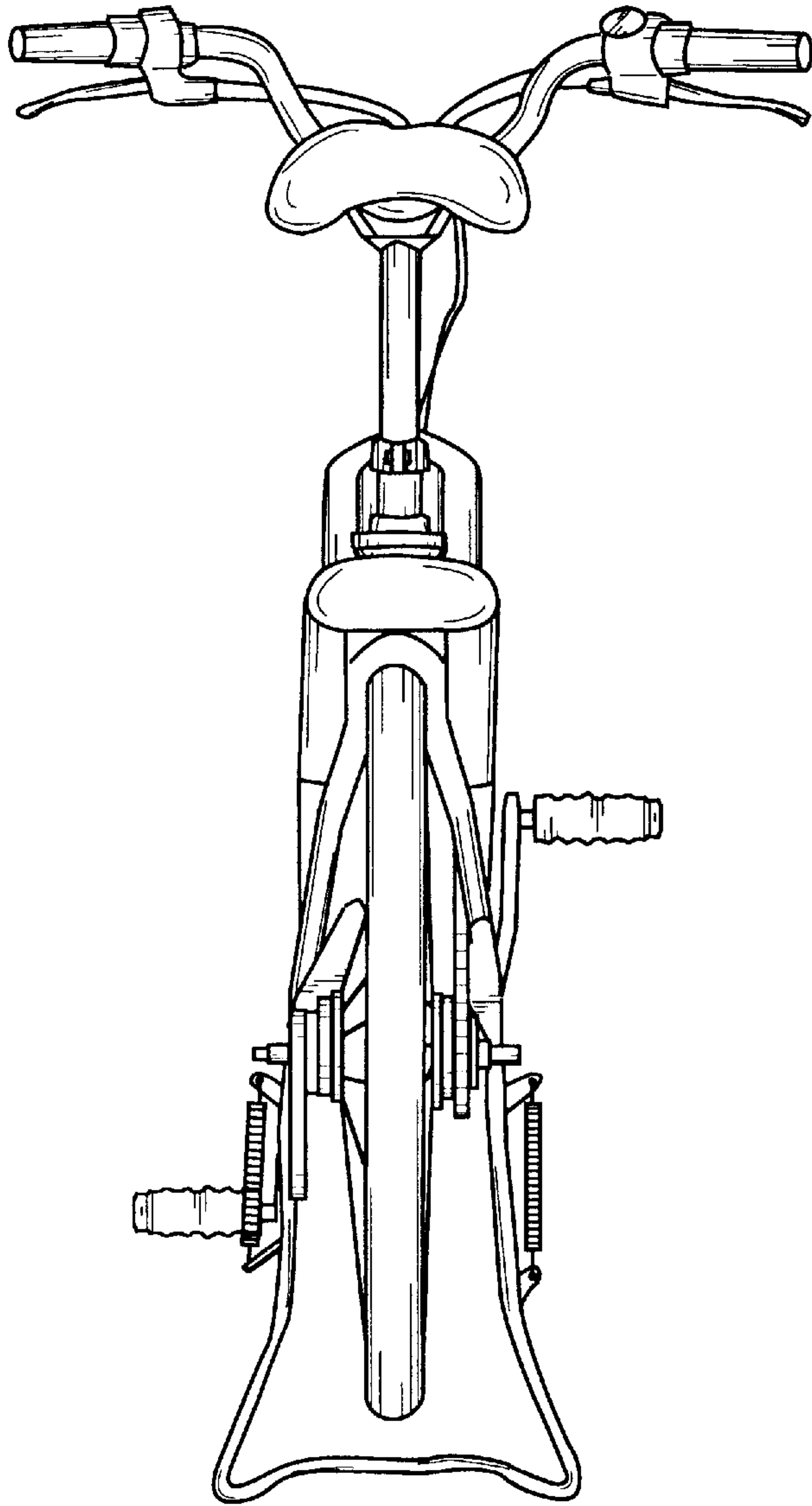


Figure 5

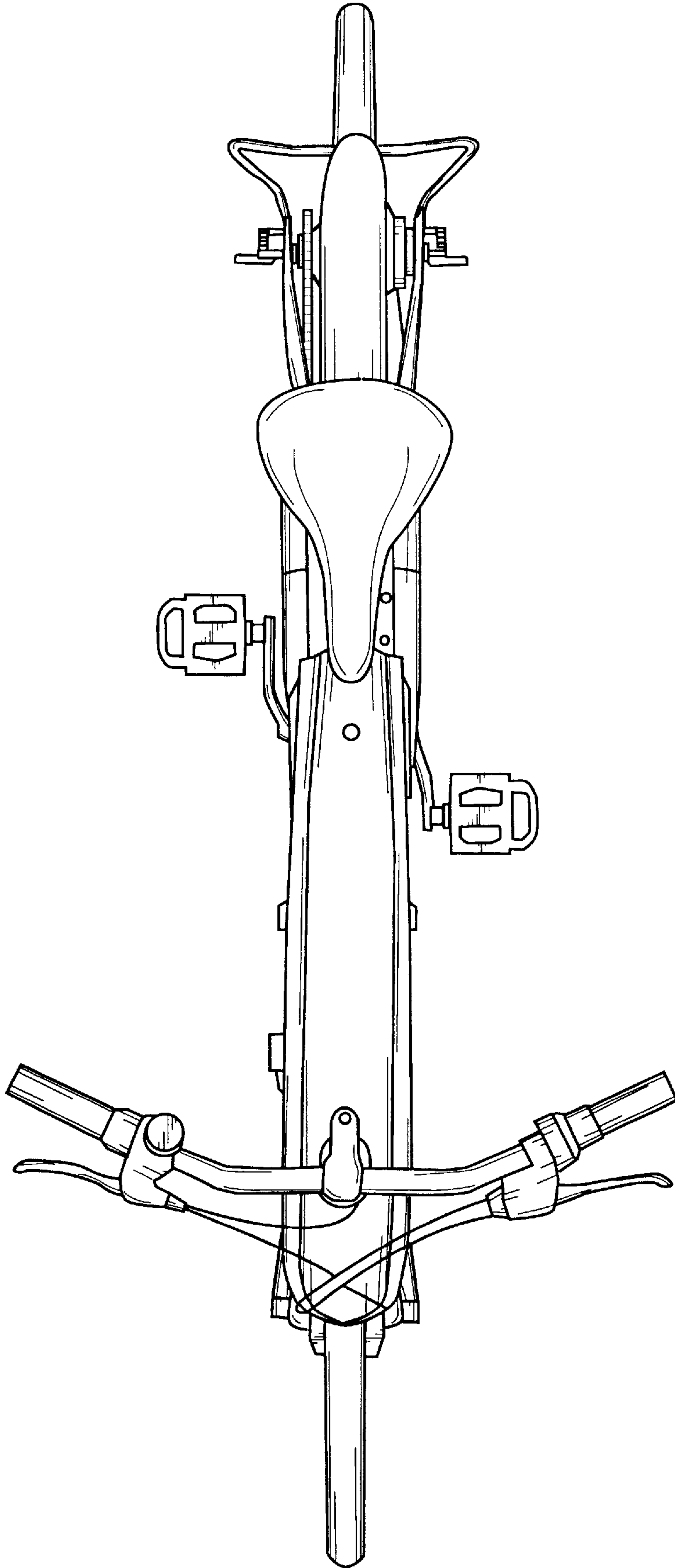


Figure 6

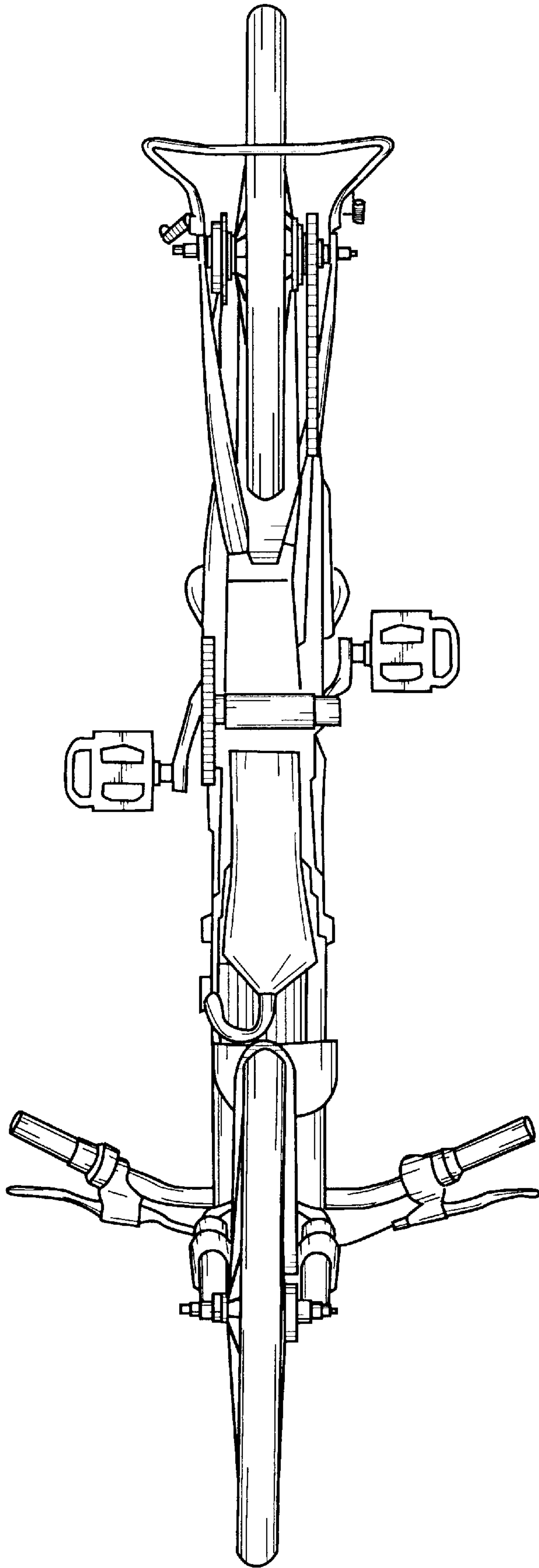


Figure 7