



US00D406251S

**United States Patent** [19]  
**Nakamura**

[11] **Patent Number: Des. 406,251**  
[45] **Date of Patent: \*\*Mar. 2, 1999**

[54] **ZIPPER SLIDER**

[75] Inventor: **Toshinobu Nakamura**, Tokyo, Japan

[73] Assignee: **Shinagawa Shoko Co., Ltd.**, Tokyo, Japan

[\*\*] Term: **14 Years**

[21] Appl. No.: **86,390**

[22] Filed: **Apr. 13, 1998**

[51] **LOC (6) Cl.** ..... **02-07**

[52] **U.S. Cl.** ..... **D11/221**

[58] **Field of Search** ..... D11/200, 221;  
264/252; 24/381-385, 415-418, 427-431;  
403/354

[56] **References Cited**

**U.S. PATENT DOCUMENTS**

D. 114,269	4/1939	Poux	.....	D11/221
D. 320,768	10/1991	Oda	.....	D11/221
D. 349,263	8/1994	Mukai	.....	D11/221
4,368,562	1/1983	Minami	.....	403/354

*Primary Examiner*—Ralf Seifert  
*Attorney, Agent, or Firm*—Banner & Witcoff, Ltd.

[57] **CLAIM**

The ornamental design for a zipper slider, as shown and described.

**DESCRIPTION**

FIG. 1 is a front perspective view of a zipper slider embodying the present design;  
FIG. 2 is a rear perspective view thereof;  
FIG. 3 is a front view thereof;  
FIG. 4 is a rear view thereof;  
FIG. 5 is a top plan view thereof;  
FIG. 6 is a bottom view thereof;  
FIG. 7 is a right side view thereof;  
FIG. 8 is a left side view thereof;  
FIG. 9 is a perspective view thereof when a stopper is locked;  
FIG. 10 is a front view thereof when a stopper is locked; and,  
FIG. 11 is a top plan view thereof when a stopper is locked.

**1 Claim, 4 Drawing Sheets**

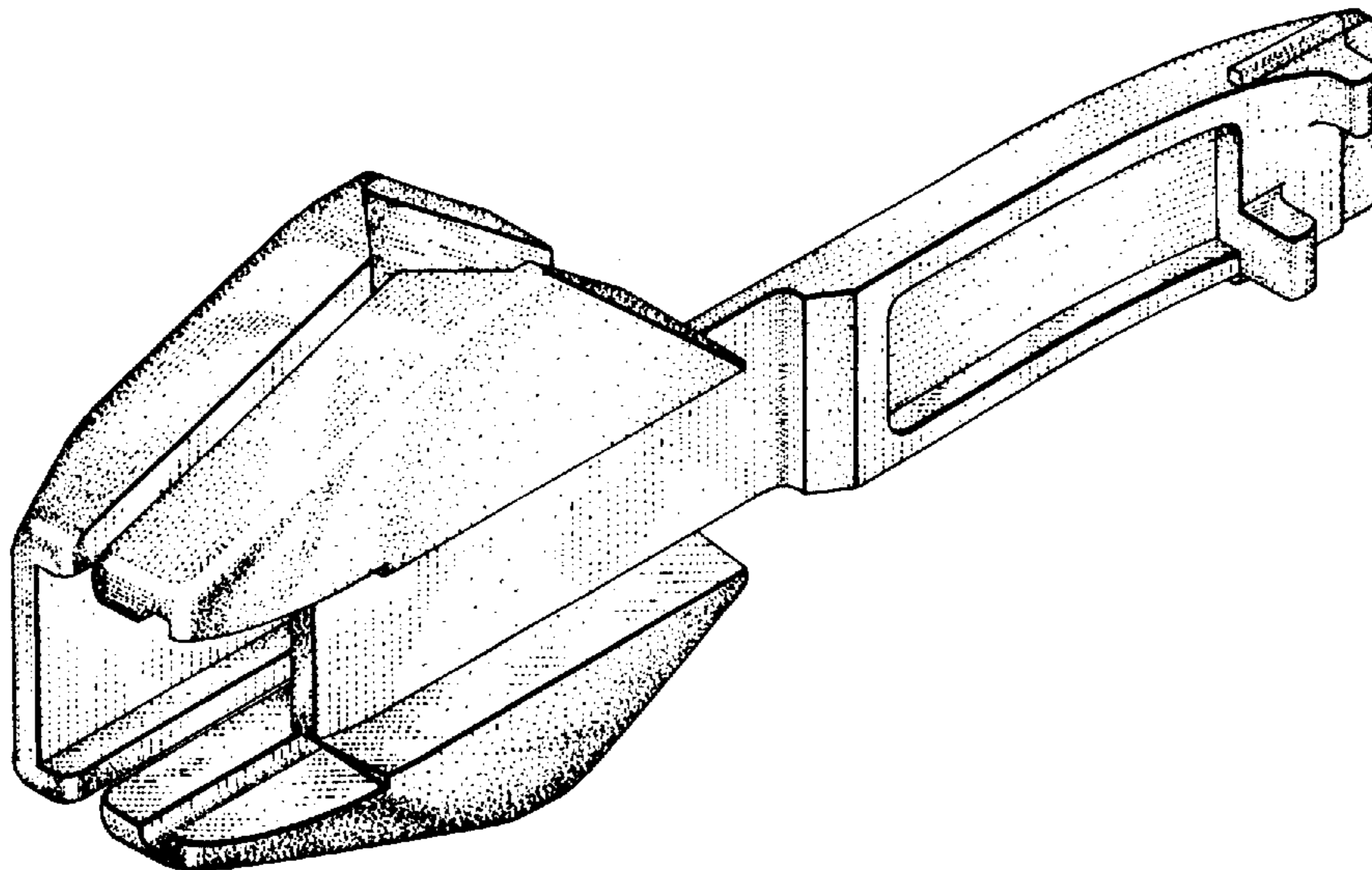


FIG. 1

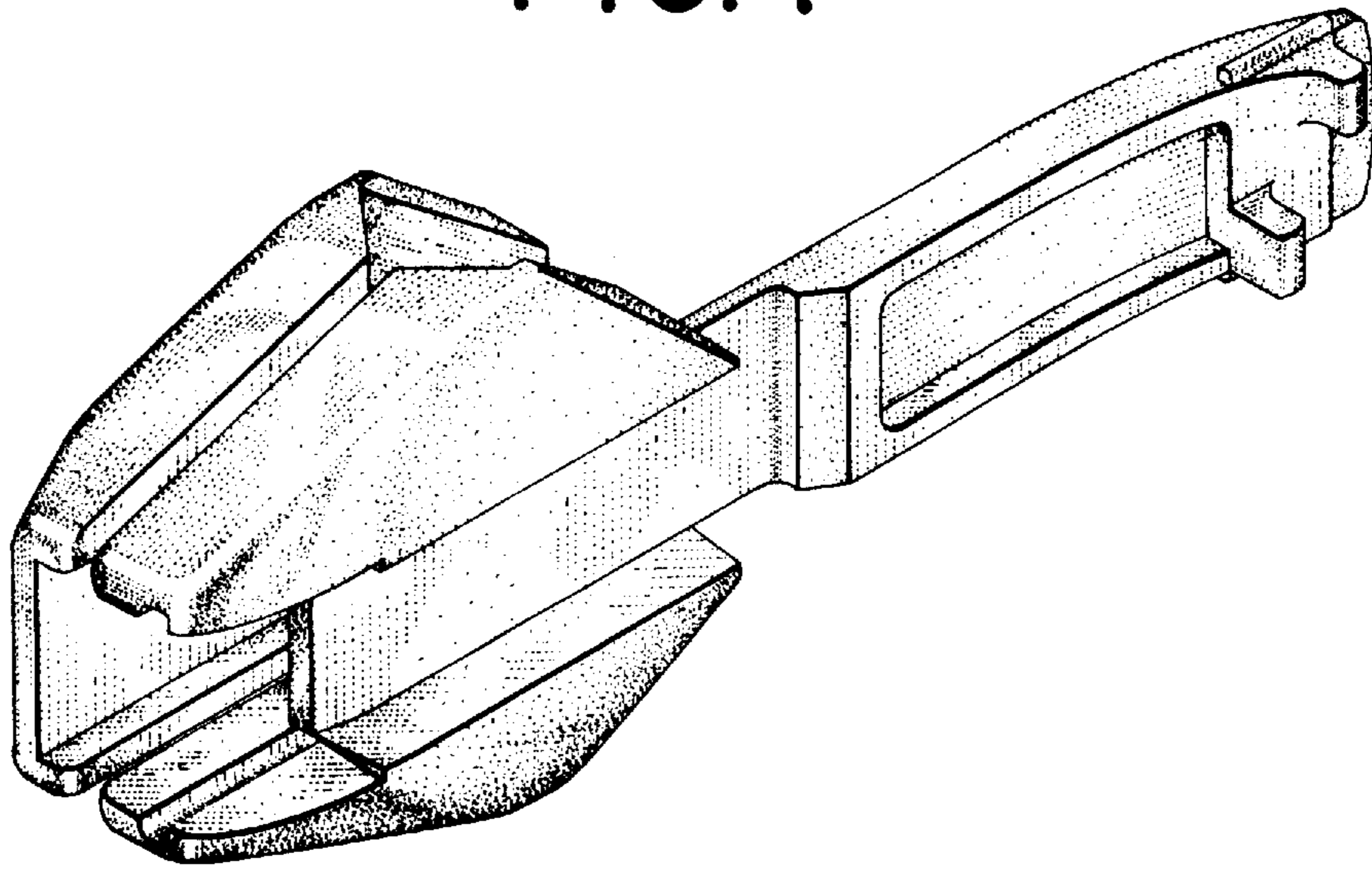


FIG. 2

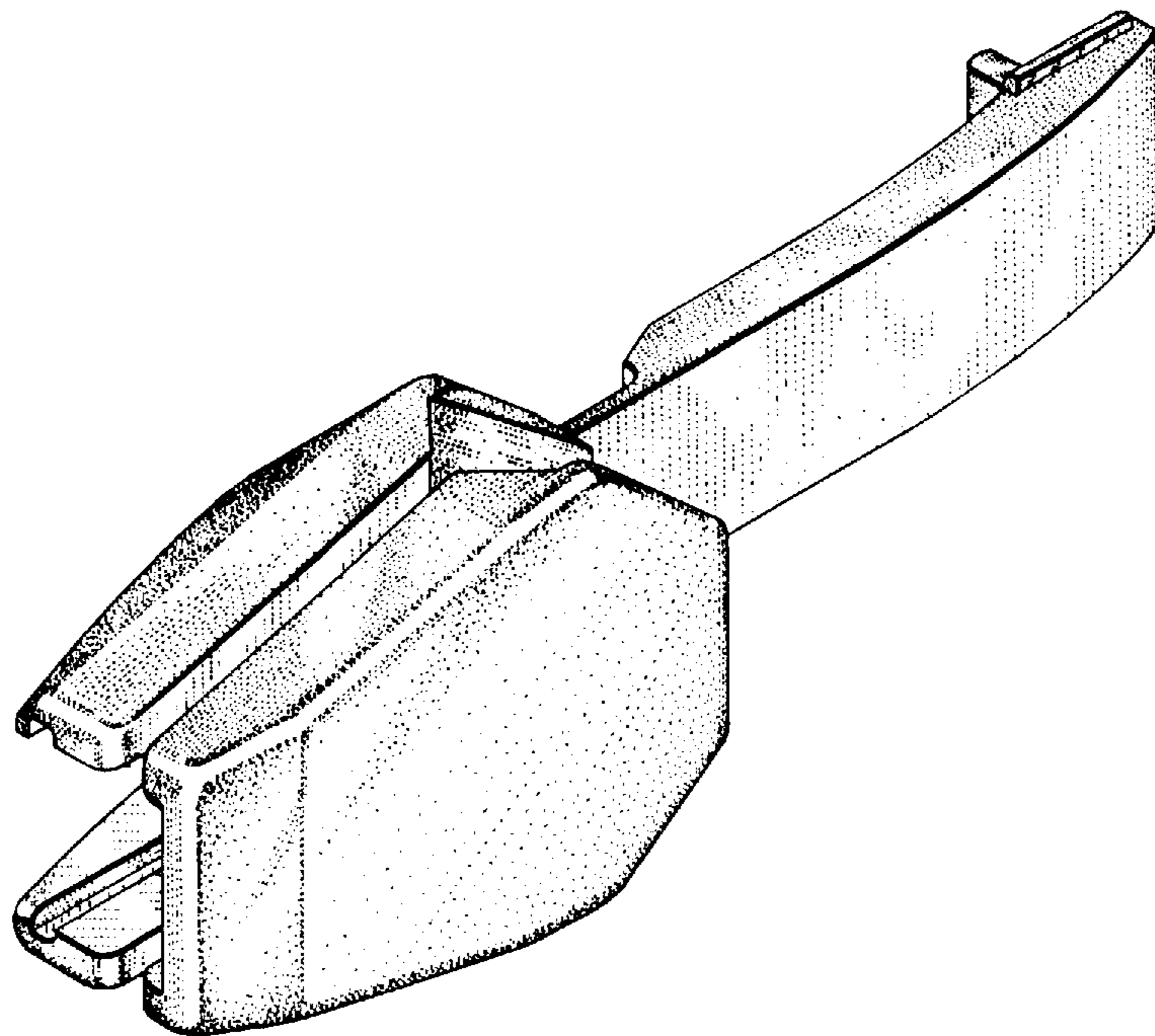


FIG. 3

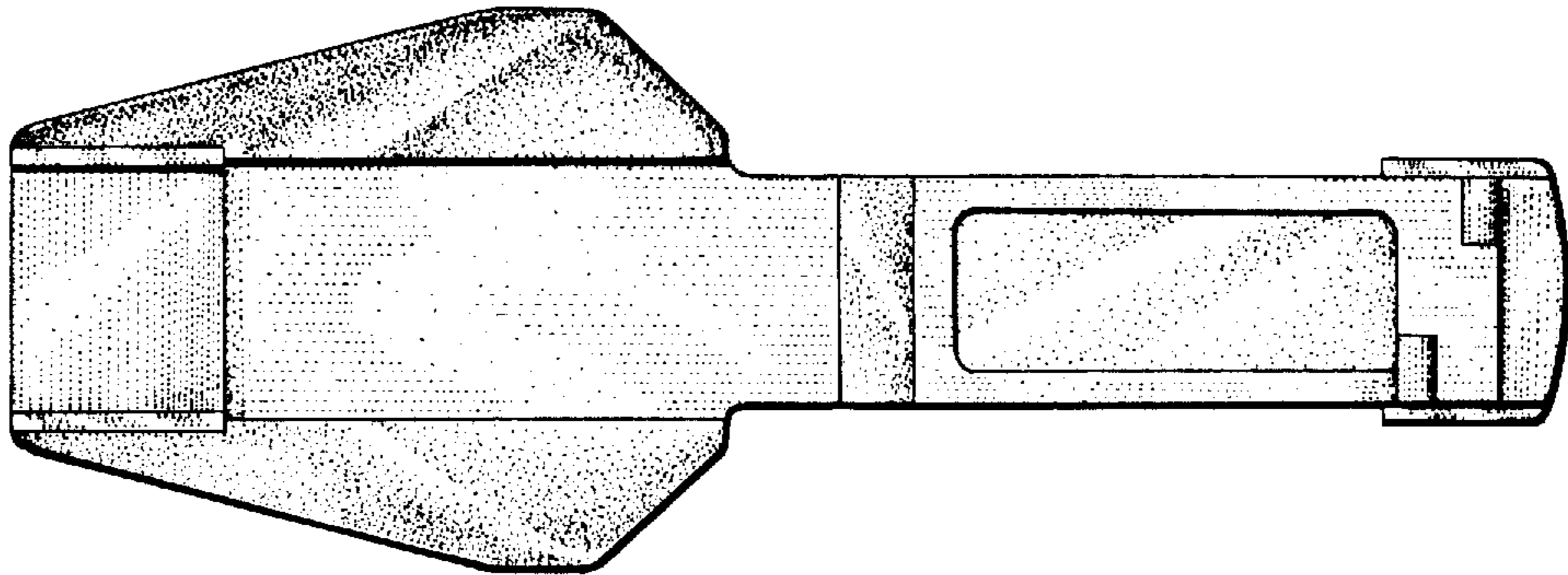


FIG. 4

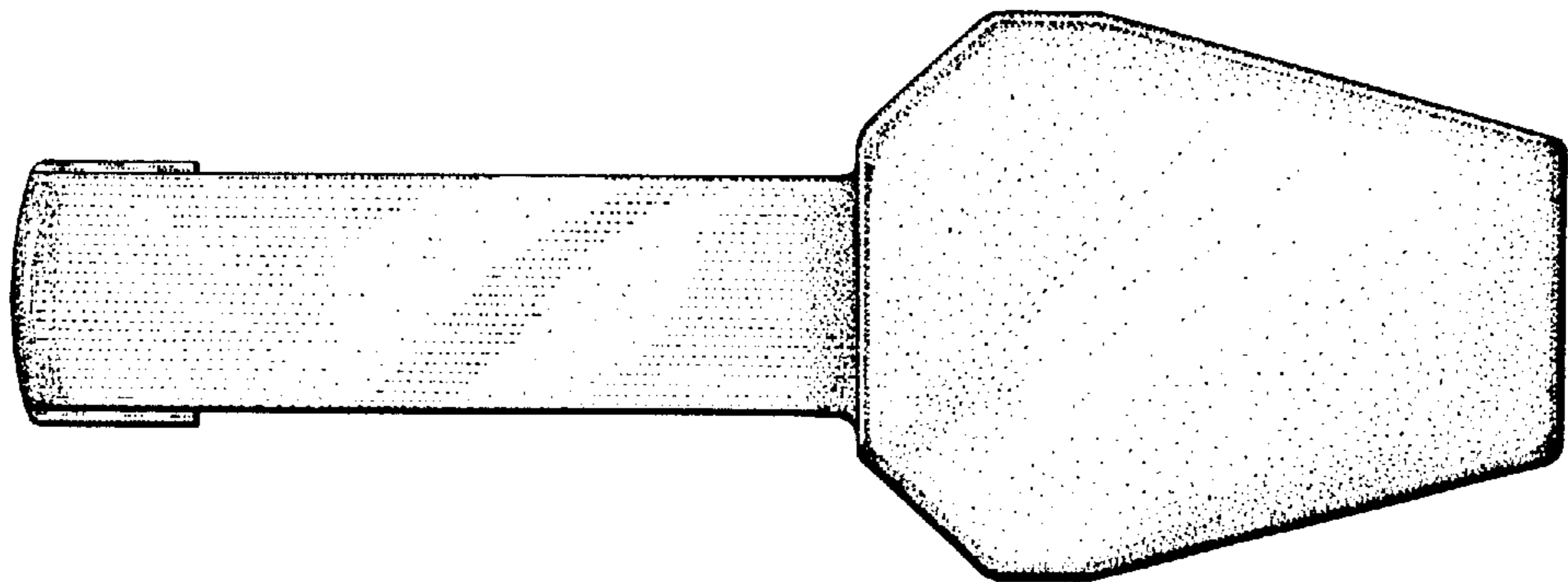


FIG. 5

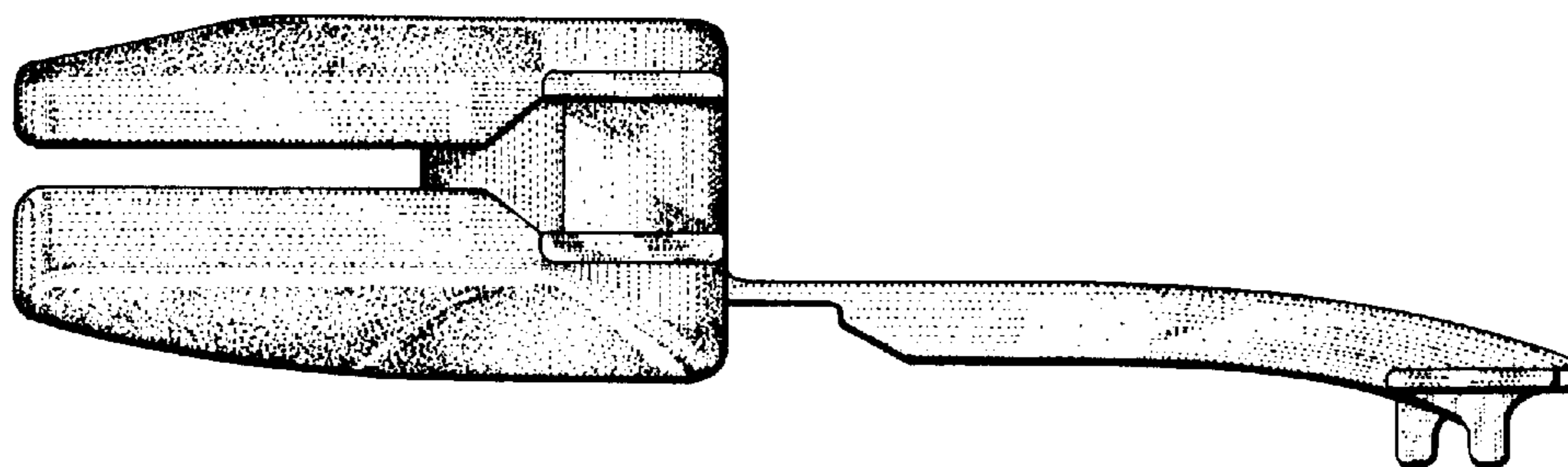


FIG. 6

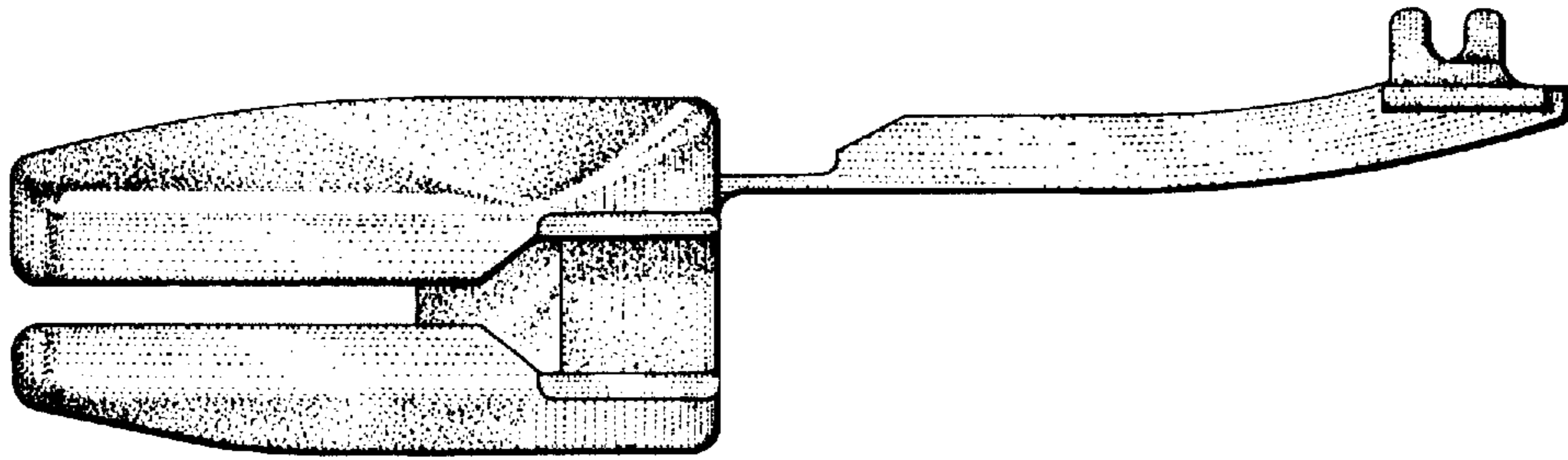


FIG. 7

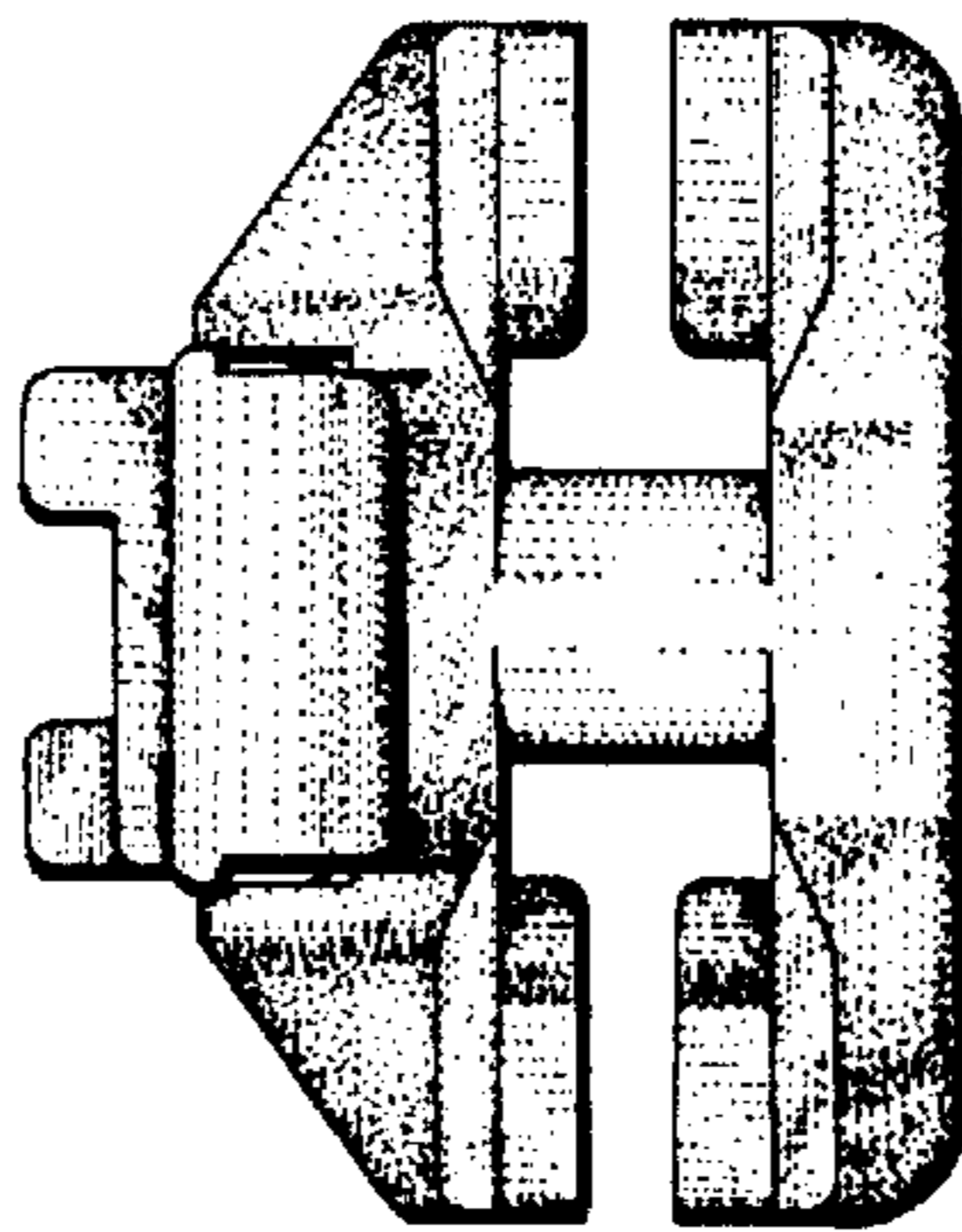
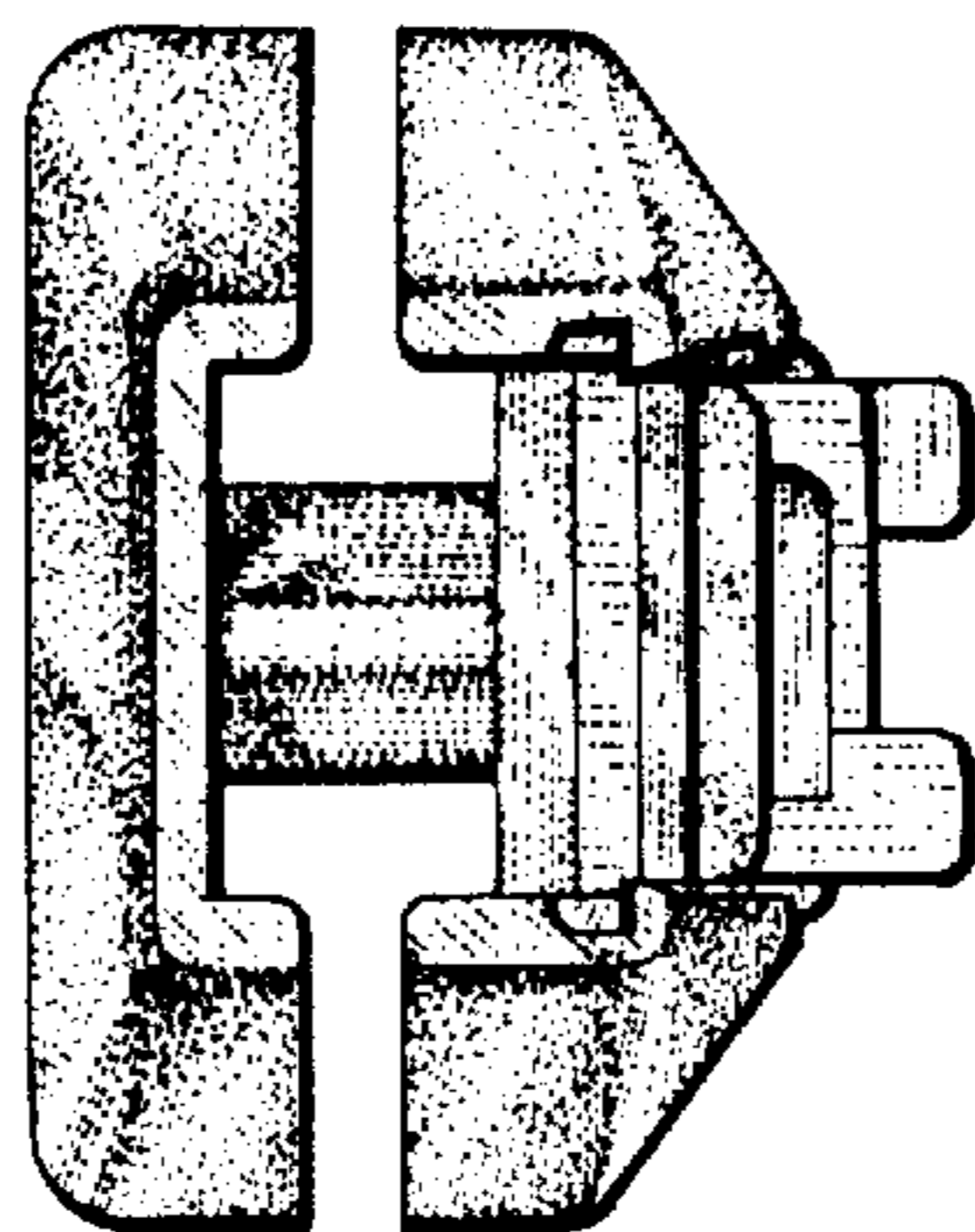
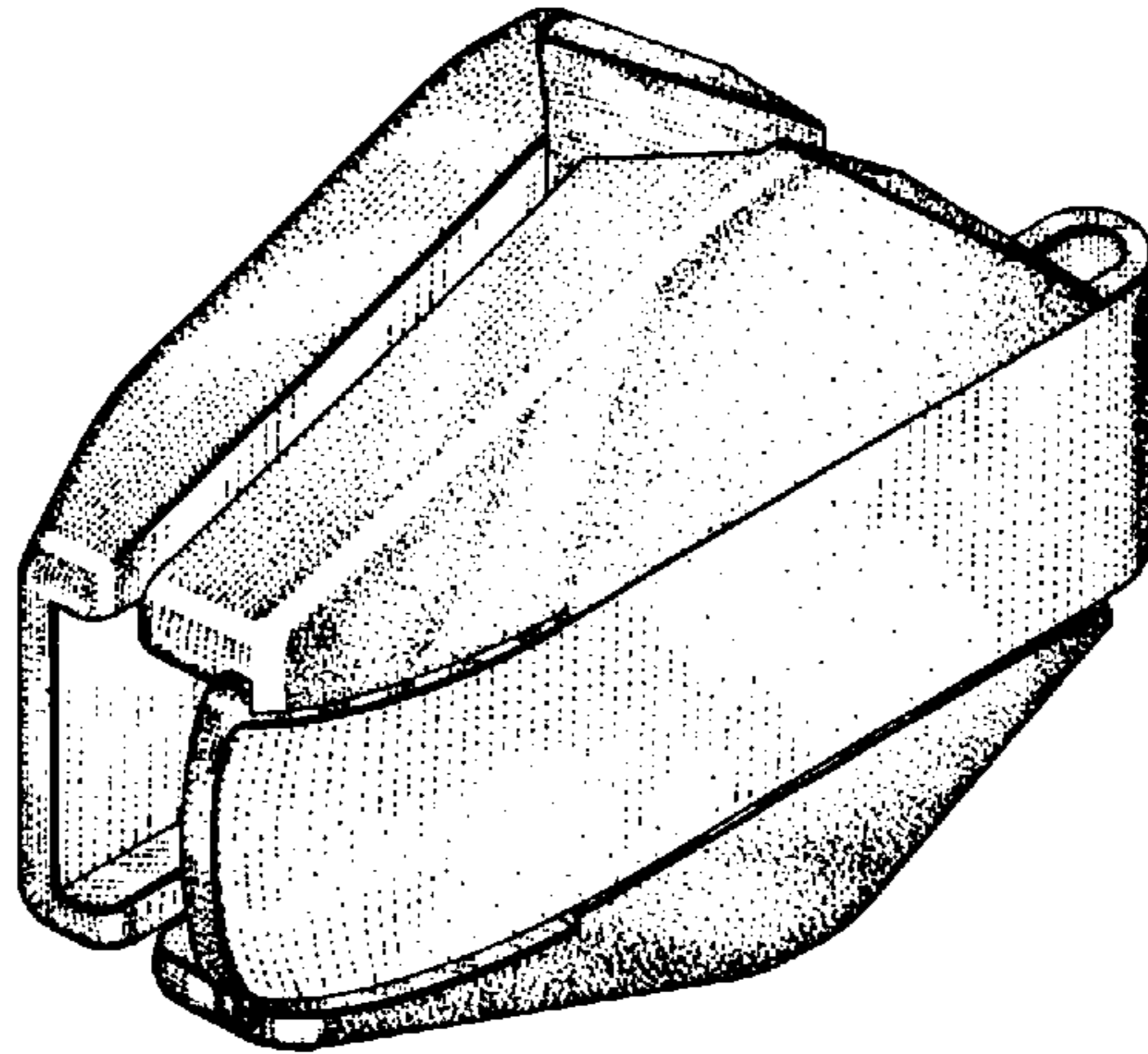


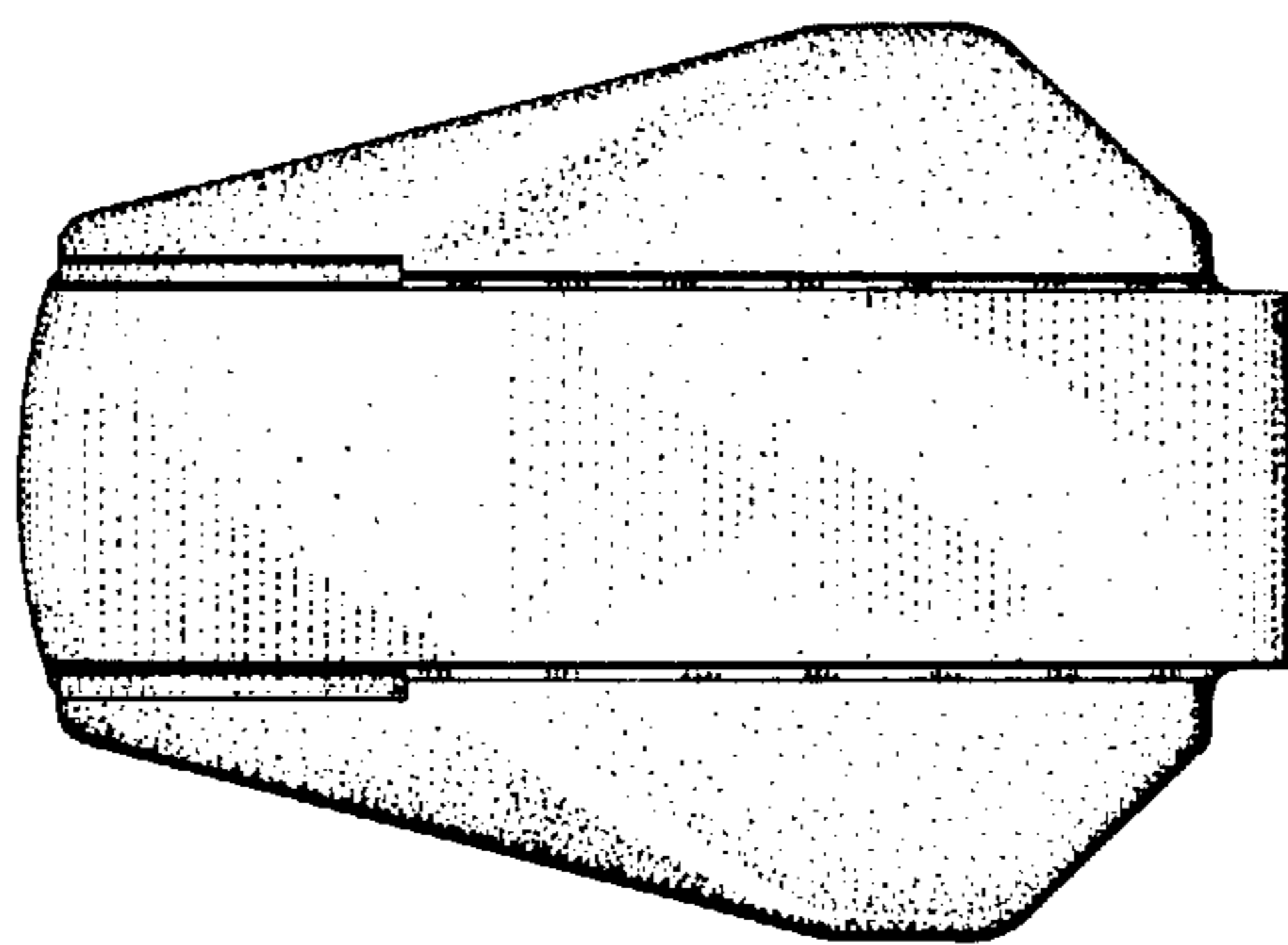
FIG. 8



**FIG. 9**



**FIG. 10**



**FIG. 11**

