



US00D406250S

United States Patent [19] Luk

[11] **Patent Number: Des. 406,250**

[45] **Date of Patent: **Mar. 2, 1999**

[54] **BUCKLE**

[75] **Inventor: Siu Ming Luk, Cheung Sha Wan, Hong Kong**

[73] **Assignee: Luk's Brothers Metal Button Factory & Co. Ltd., Hong Kong**

[**] **Term: 14 Years**

[21] **Appl. No.: 88,507**

[22] **Filed: May 26, 1998**

[51] **LOC (6) Cl. 02-07**

[52] **U.S. Cl. D11/218**

[58] **Field of Search D11/200, 216-219; 24/200, 265 R, 196, 198, 186, 312, 313, 308, 325, 309; 2/268, 336, 338**

[56] **References Cited**

U.S. PATENT DOCUMENTS

35,441	12/1862	Hecht	D11/218
45,239	2/1864	Peterson	D11/218
55,533	6/1866	Plotts	D11/218

D. 121,618	7/1940	Reiter	D11/218
D. 125,083	2/1941	Dickson	D11/218
D. 287,067	12/1986	Kasai	D11/218
1,142,842	6/1915	Rehm	D11/218
2,105,516	1/1938	Anderson	24/163 R
2,809,408	10/1957	Goldstein	24/312
3,346,930	10/1967	Browning	D11/218
3,591,900	7/1971	Brown	D4/196

Primary Examiner—Ralf Seifert
Attorney, Agent, or Firm—Samuels, Gauthier & Stevens

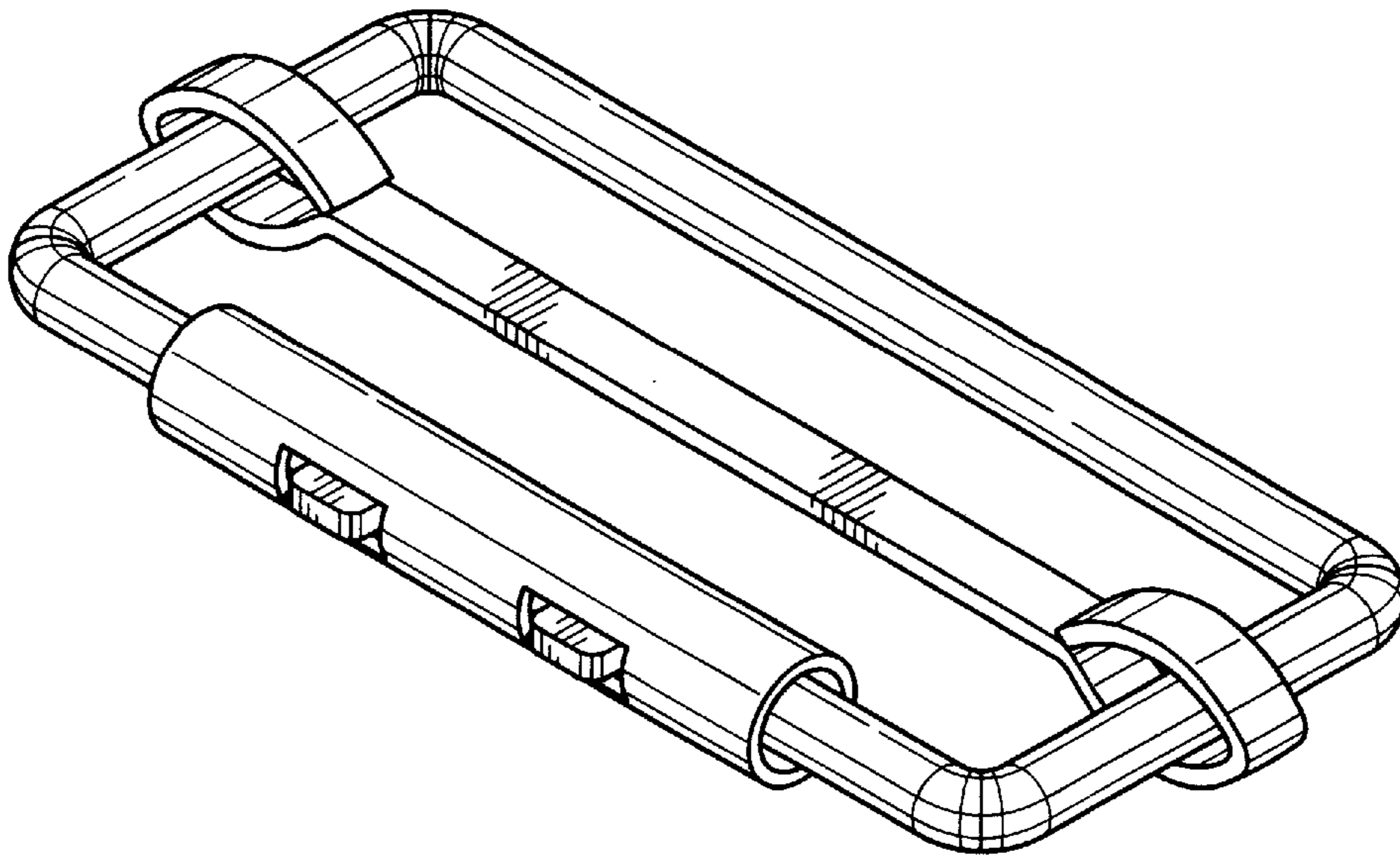
[57] **CLAIM**

The ornamental design for a “buckle,” as shown and described.

DESCRIPTION

FIG. 1 is the front perspective view showing my new design; FIG. 2 is the front view thereof; FIG. 3 is the rear view thereof; FIG. 4 is the left-hand view thereof; FIG. 5 is the right-hand view thereof; FIG. 6 is the top view thereof; and, FIG. 7 is the bottom view thereof.

1 Claim, 3 Drawing Sheets



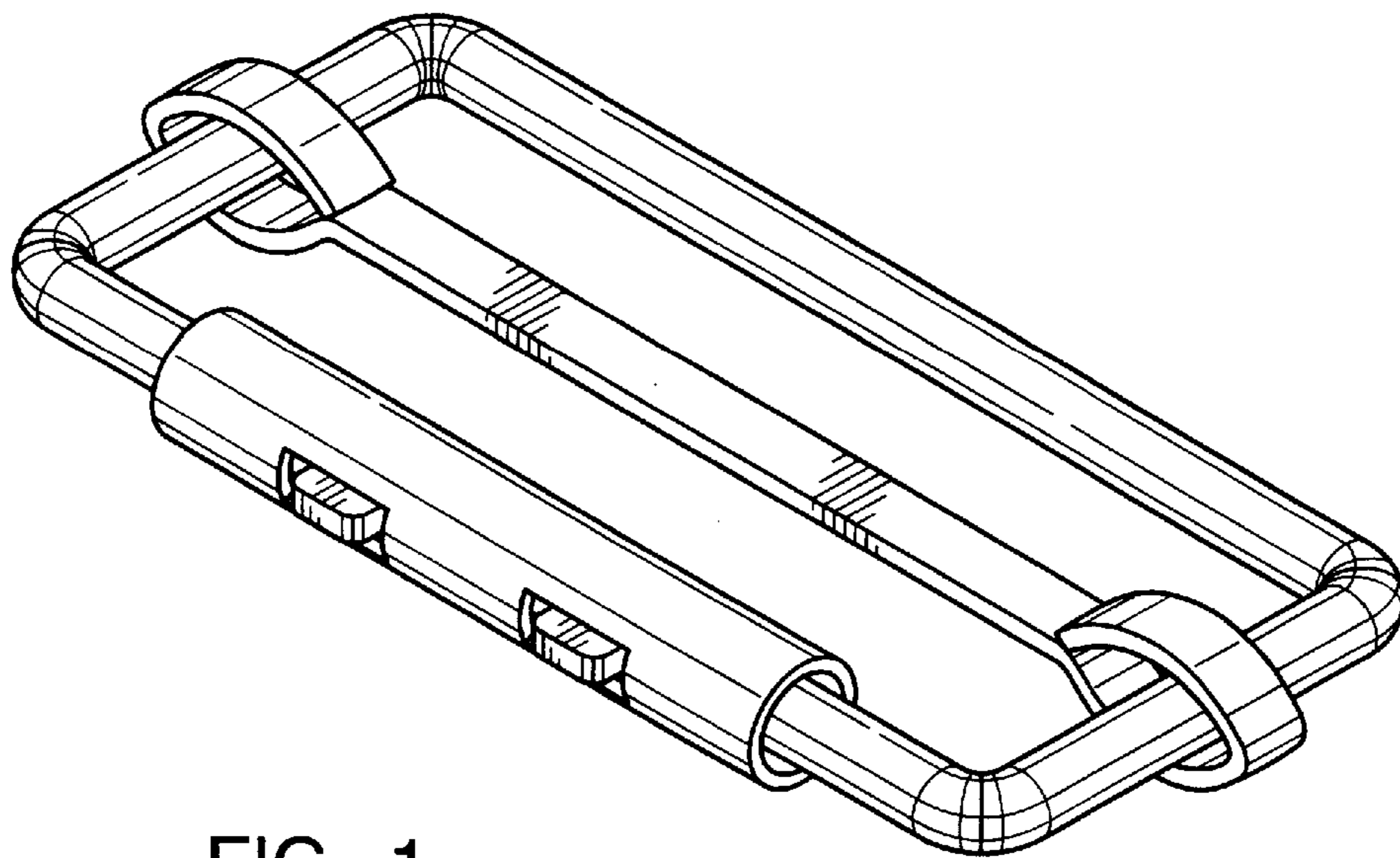


FIG. 1

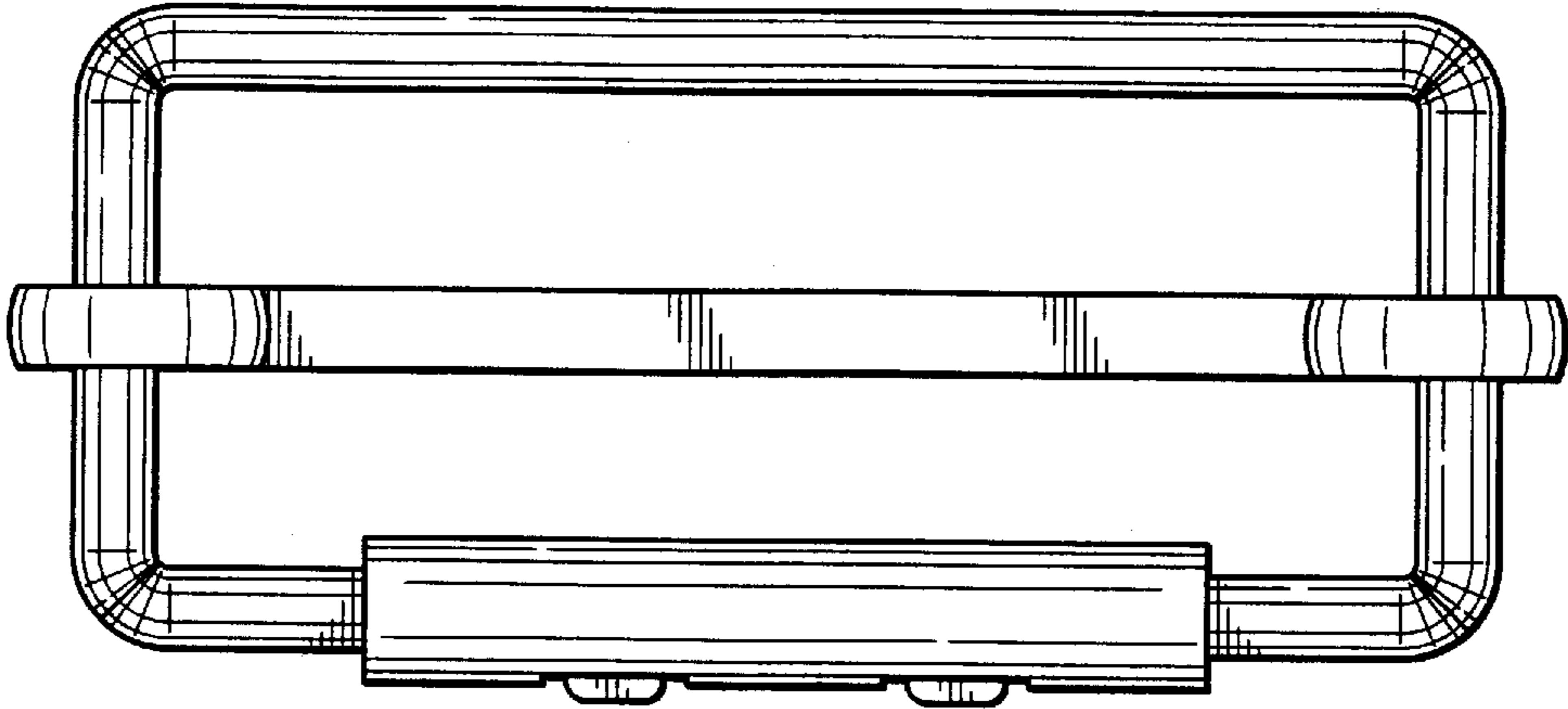


FIG. 2

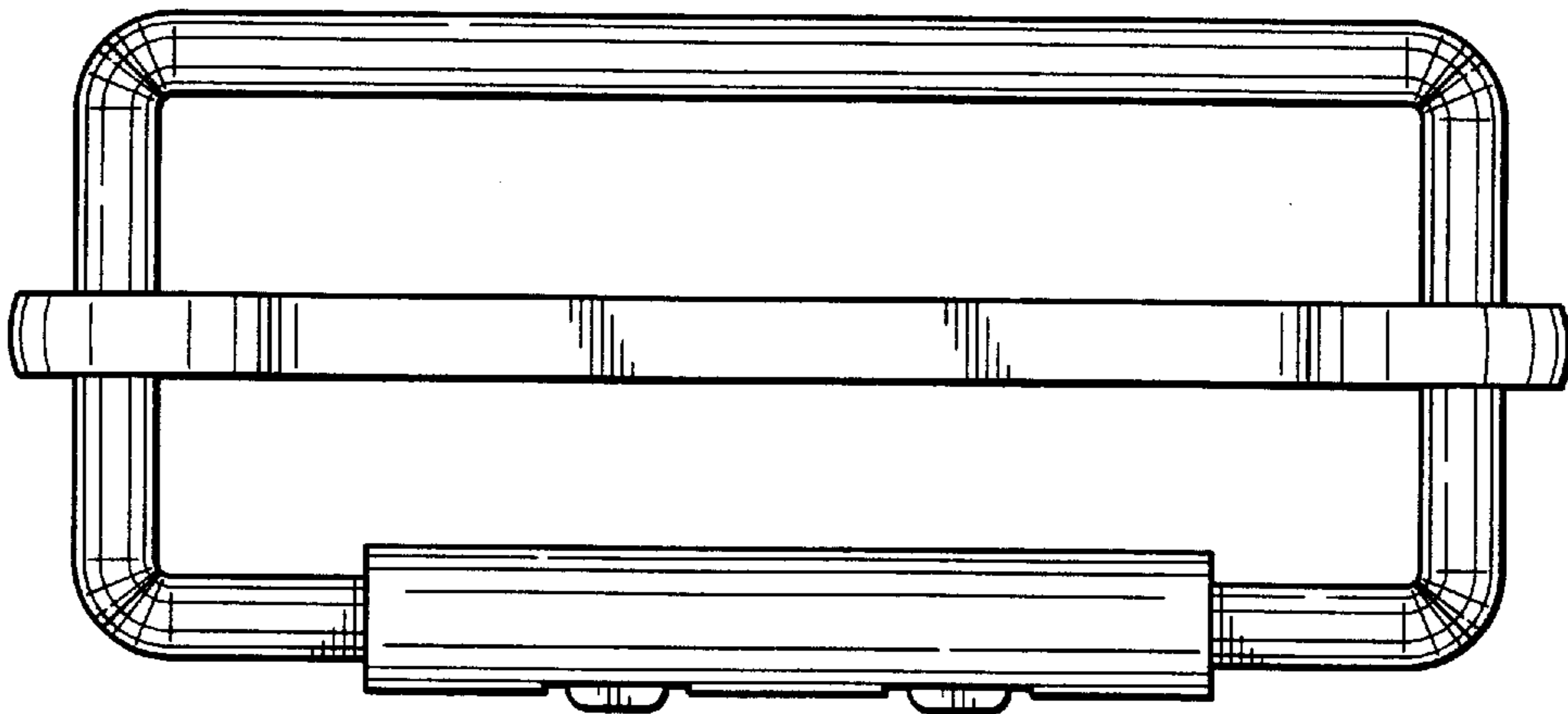


FIG. 3

FIG. 4

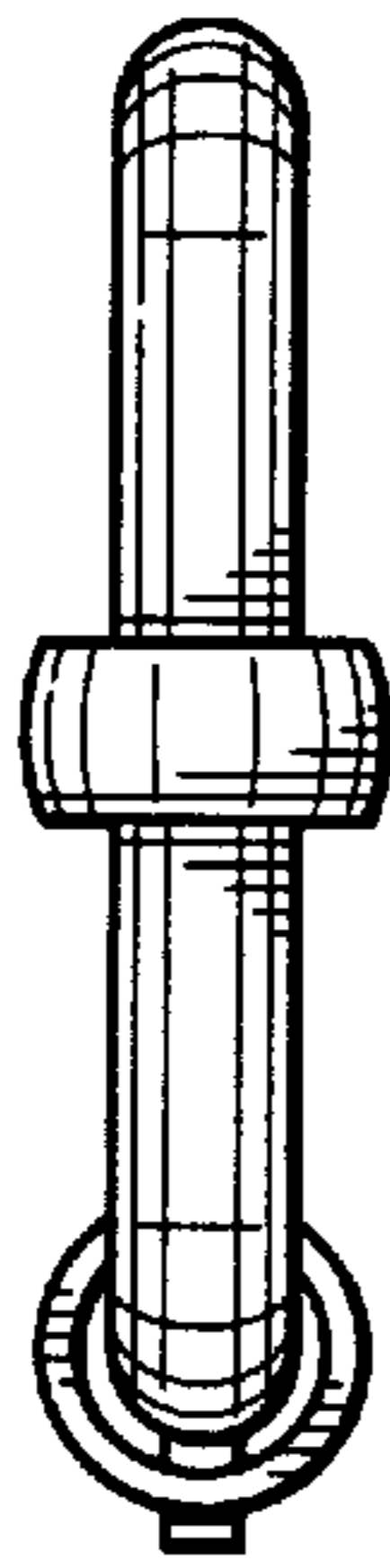


FIG. 5

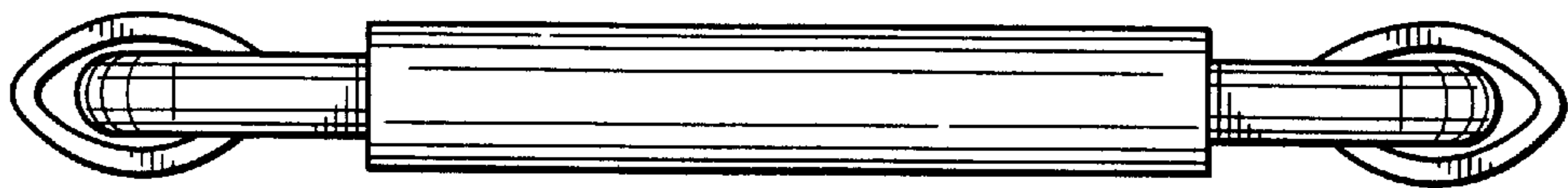
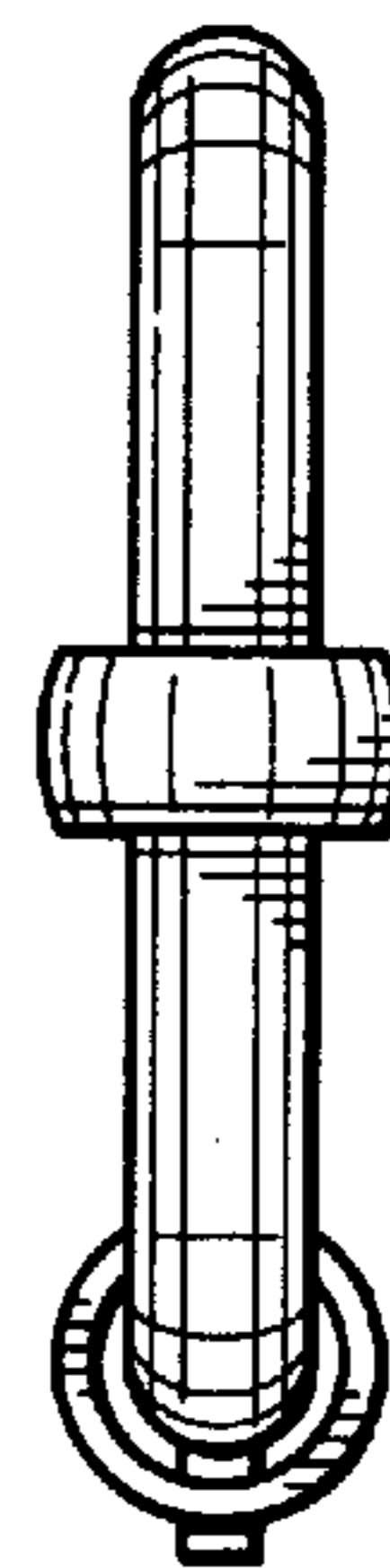


FIG. 6

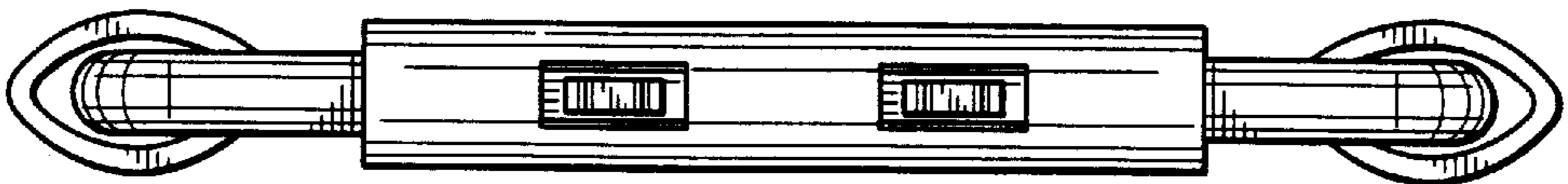


FIG. 7