



US00D406247S

United States Patent [19]

[11] Patent Number: Des. 406,247

Chia et al.

[45] Date of Patent: **Mar. 2, 1999

[54] JEWELRY COMPONENT

DESCRIPTION

[76] Inventors: **Meang Chia; Cheo Chia; Huy Kim Chia**, all of Chain & Charm Manufacturers, 412 W. 6th St., Suite #1104, Los Angeles, Calif. 90014

[**] Term: **14 Years**

[21] Appl. No.: **70,204**

[22] Filed: **May 7, 1997**

[51] **LOC (6) Cl.** **11-01**

[52] **U.S. Cl.** **D11/93**

[58] **Field of Search** D11/1-26, 35, D11/40, 89-94, 54, 56, 76, 48; 63/32, 1.1, 2, 15, 27, 4; 59/80

[56] References Cited

U.S. PATENT DOCUMENTS

12,579	11/1855	Reynolds	D11/91
14,818	2/1856	Merrill	D11/91
D. 314,929	2/1991	Chia et al.	D11/93
D. 319,033	8/1991	Chia et al.	D11/93
D. 325,709	4/1992	Chia et al.	D11/93
D. 329,401	9/1992	Chia et al.	D11/93
D. 331,726	12/1992	Chia .		
D. 335,639	5/1993	Chia et al.	D11/93
D. 337,070	7/1993	Chia et al.	D11/93
D. 337,283	7/1993	Keshishian	D11/93
D. 337,546	7/1993	Keshishian	D11/93
D. 337,547	7/1993	Keshishian	D11/93
D. 338,852	8/1993	Keshishian	D11/93
813,084	2/1906	Dover	D11/91
1,189,497	7/1916	Schwartzman	59/80
1,443,654	1/1923	Schmidt	59/80
2,538,090	1/1951	Ferragamo	D11/16
2,584,207	2/1952	Holl	63/27
5,694,791	12/1997	Esposito	63/3

Primary Examiner—Ralf Seifert
Attorney, Agent, or Firm—Ladas & Parry

[57] CLAIM

The ornamental design for a jewelry component, as shown and herein described.

FIG. 1 is a perspective view of a jewelry component showing my new design in a position of use, the broken line showing of the adjacent components are for illustrative purposes only and form no part of the claimed design; FIG. 2 is an enlarged perspective view; FIG. 3 is a top plan view of FIG. 2; FIG. 4 is a side elevational view of FIG. 2, the opposite side being a mirror image; FIG. 5 is an enlarged perspective view of a jewelry component showing a second embodiment of my new design; FIG. 6 is a side elevational view of FIG. 5, the opposite side being a mirror image; FIG. 7 is a right side elevational view of FIG. 5, the opposite side being a mirror image; FIG. 8 is a perspective view of a jewelry component showing a third embodiment of my new design, the broken line showing of the adjacent components are for illustrative purposes only and form no part of the claimed design; FIG. 9 is an enlarged perspective view of FIG. 8; FIG. 10 is a top plan view of FIG. 9; FIG. 11 is a side elevational view of FIG. 9, the opposite side being a mirror image; FIG. 12 is a perspective view of a jewelry component showing a fourth embodiment of my new design; FIG. 13 is a side elevational view of FIG. 12, the opposite side being a mirror image; FIG. 14 is a right side elevational view of FIG. 12, the opposite side being a mirror image; FIG. 15 is a perspective view of a jewelry component showing a fifth embodiment of my new design, the broken line showing of the adjacent components are for illustrative purposes only and form no part of the claimed design; FIG. 16 is an enlarged perspective view of FIG. 15; FIG. 17 is a top plan view of FIG. 16; FIG. 18 is a side elevational view of FIG. 16, the opposite side being a mirror image; FIG. 19 is a cross sectional view taken along the lines 19—19 of FIG. 17; FIG. 20 is a perspective view of a jewelry component showing a sixth embodiment of my new design; FIG. 21 is a side elevational view of FIG. 20, the opposite side view being a mirror image; and, FIG. 22 is a right side elevational view of FIG. 20, the opposite side view being a mirror image.

1 Claim, 6 Drawing Sheets

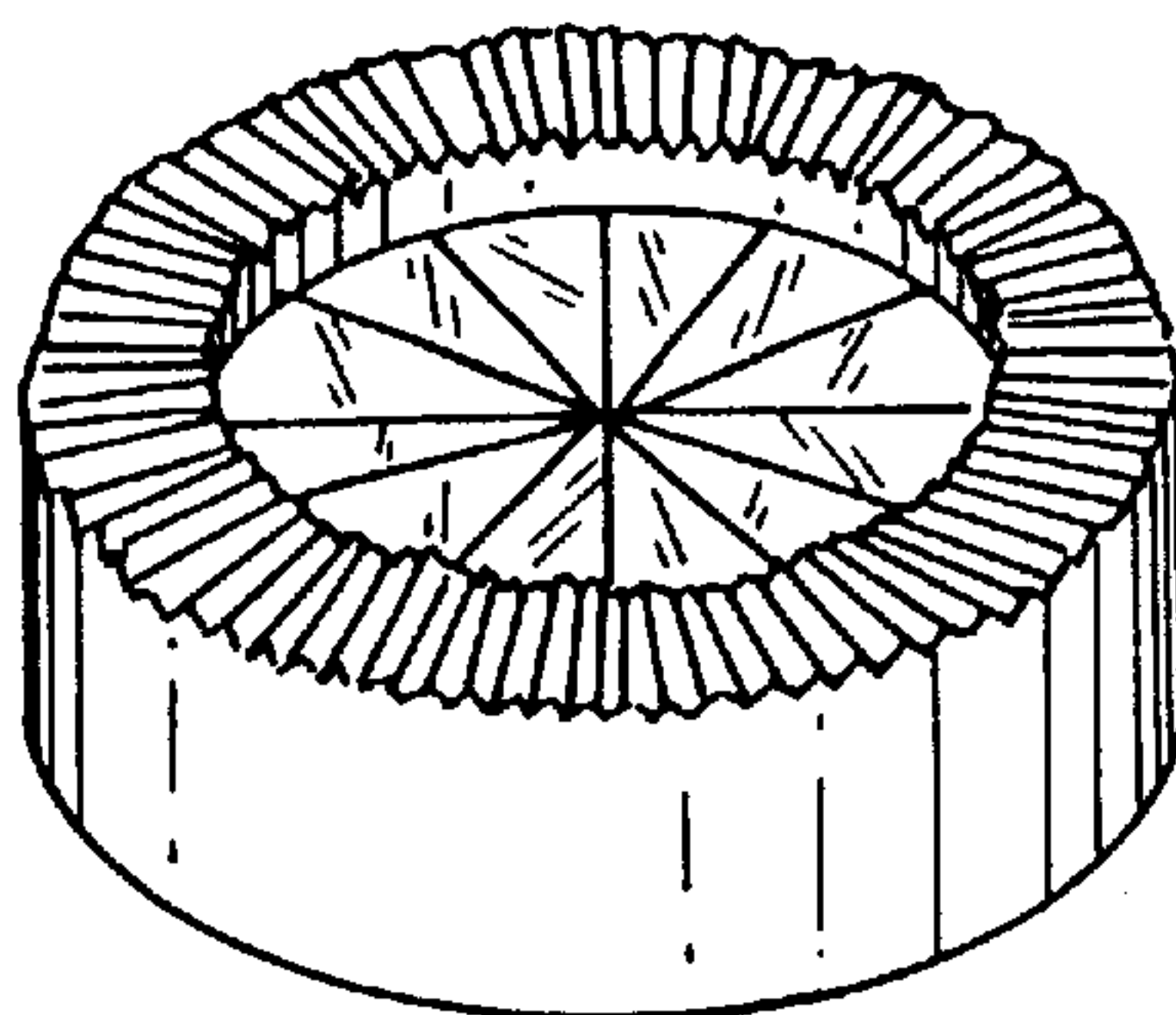


FIG. 1

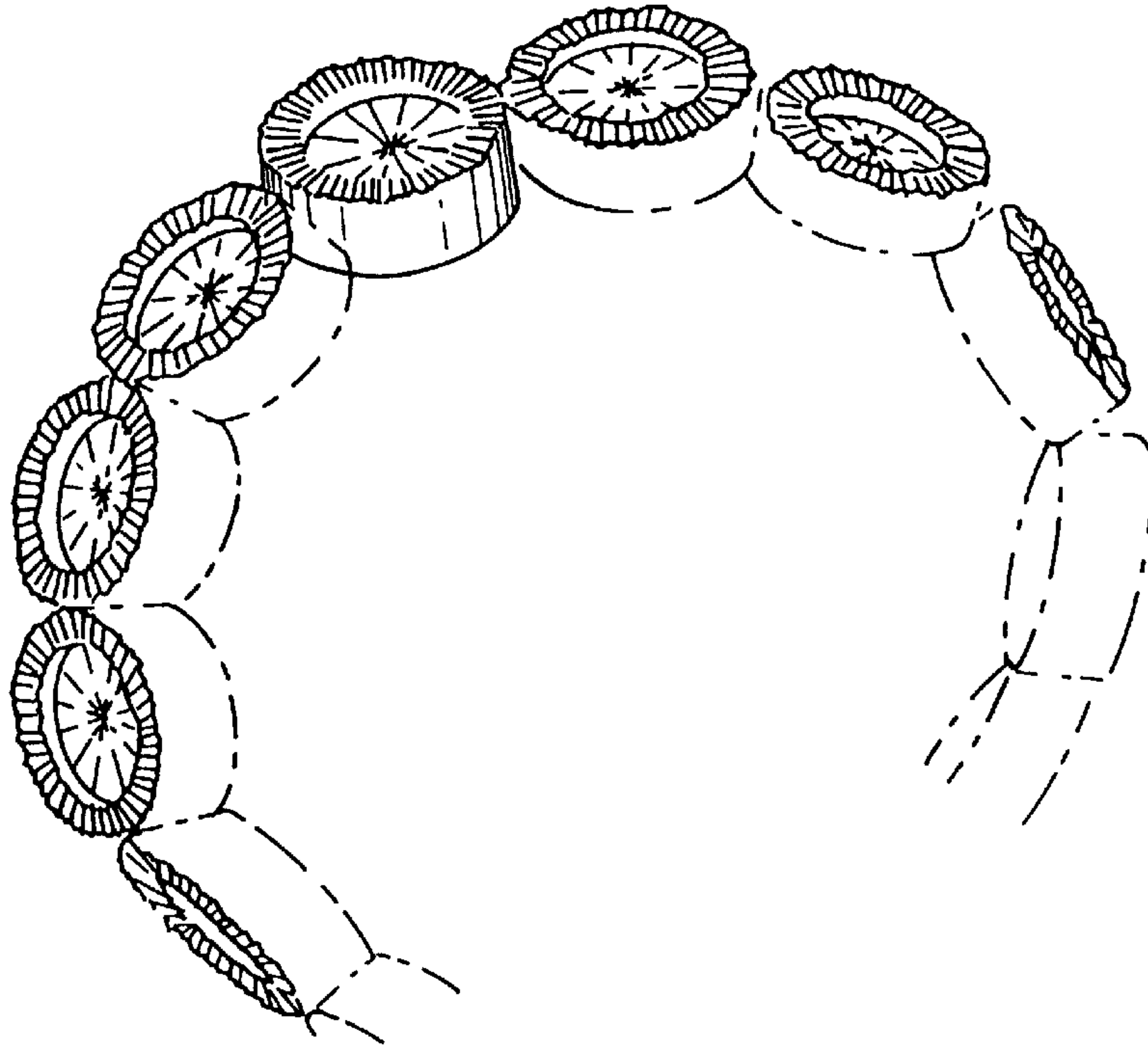


FIG. 2

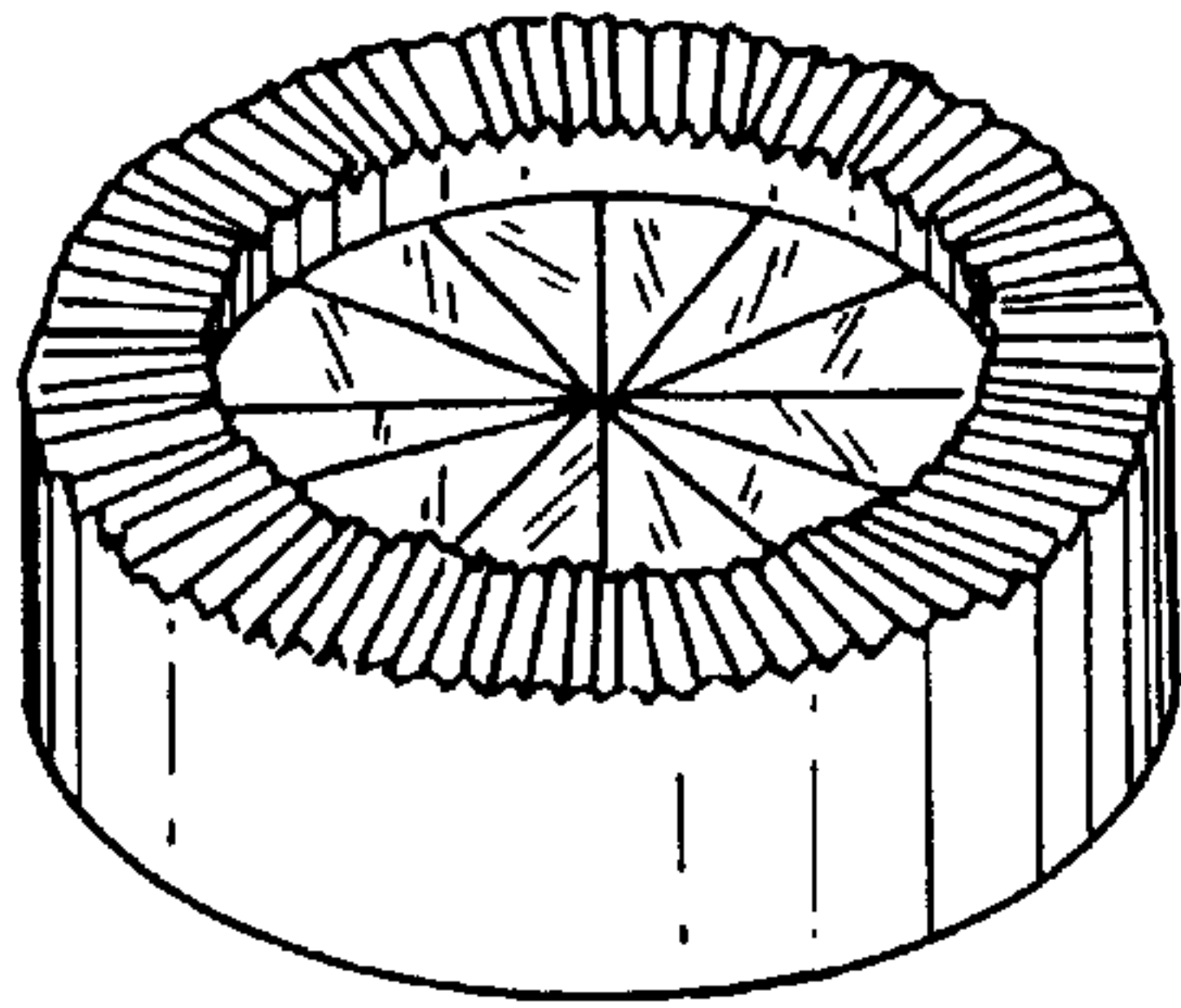


FIG. 3

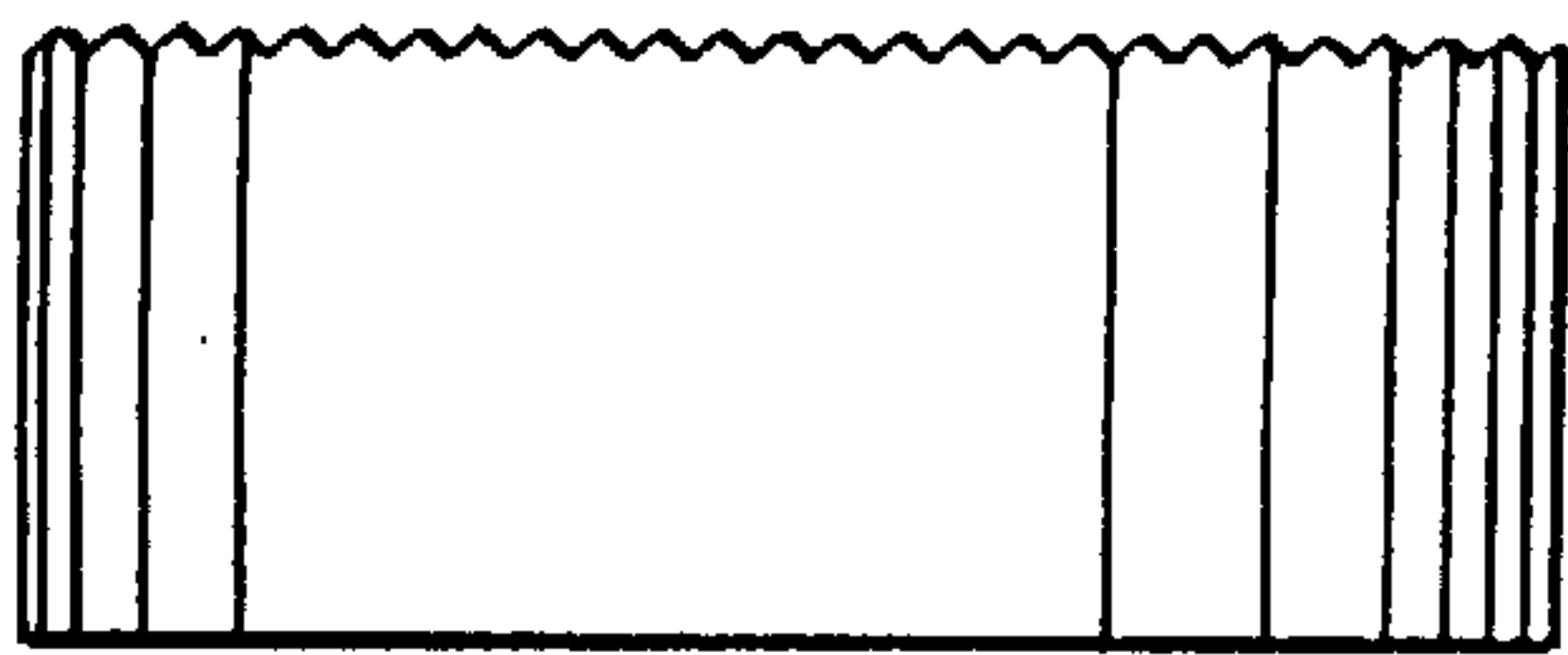
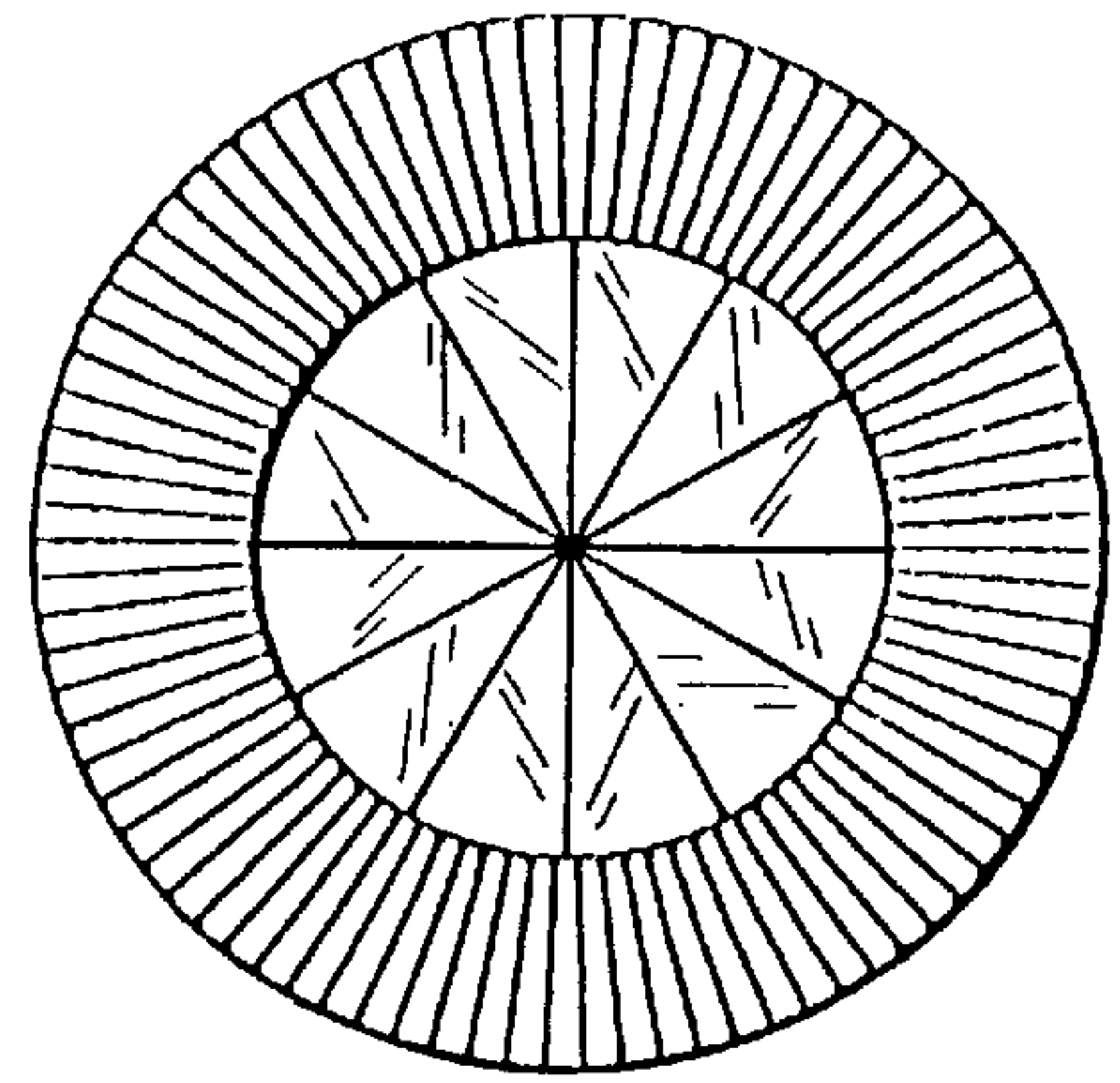


FIG. 4

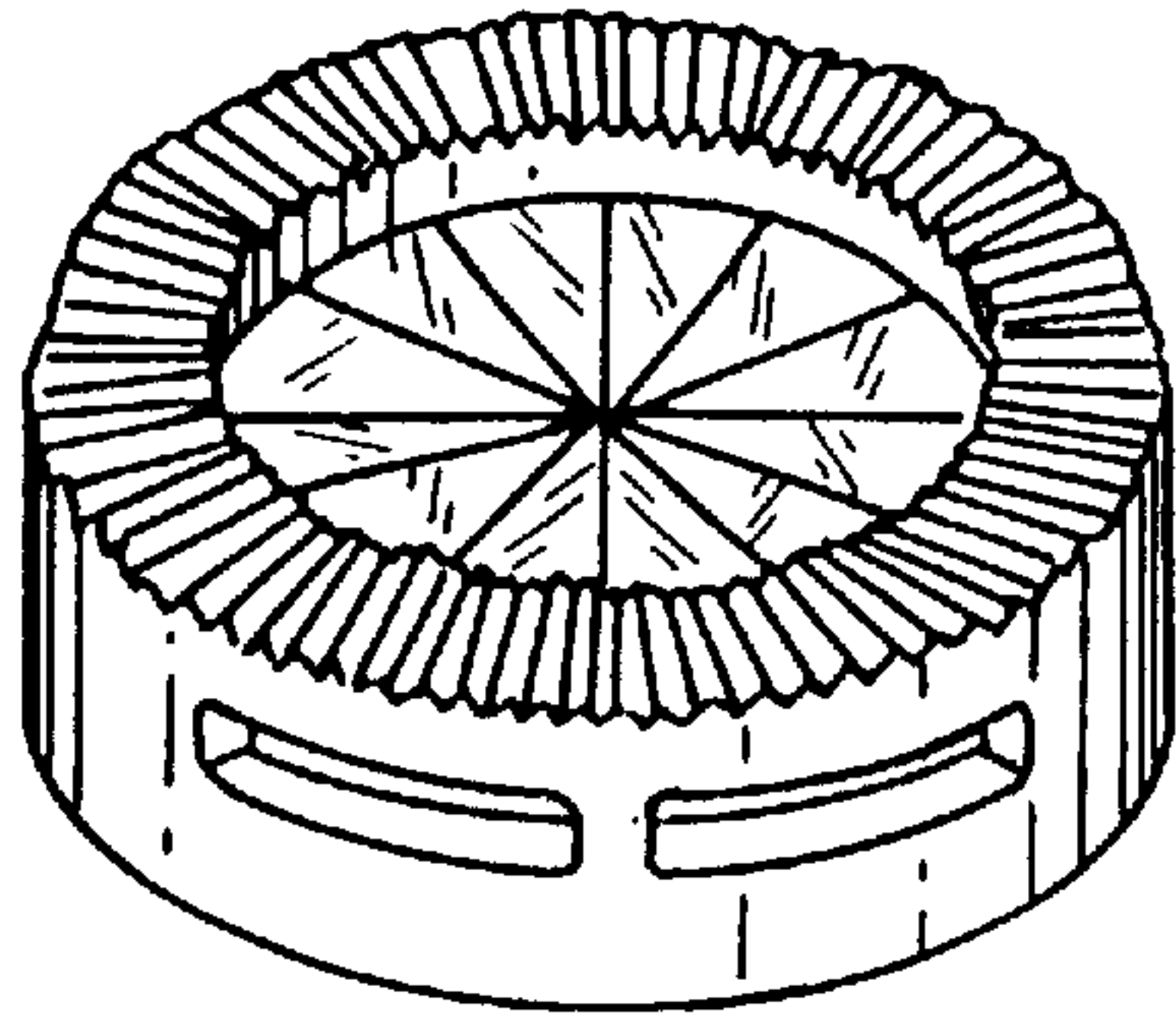


FIG. 5

FIG. 6

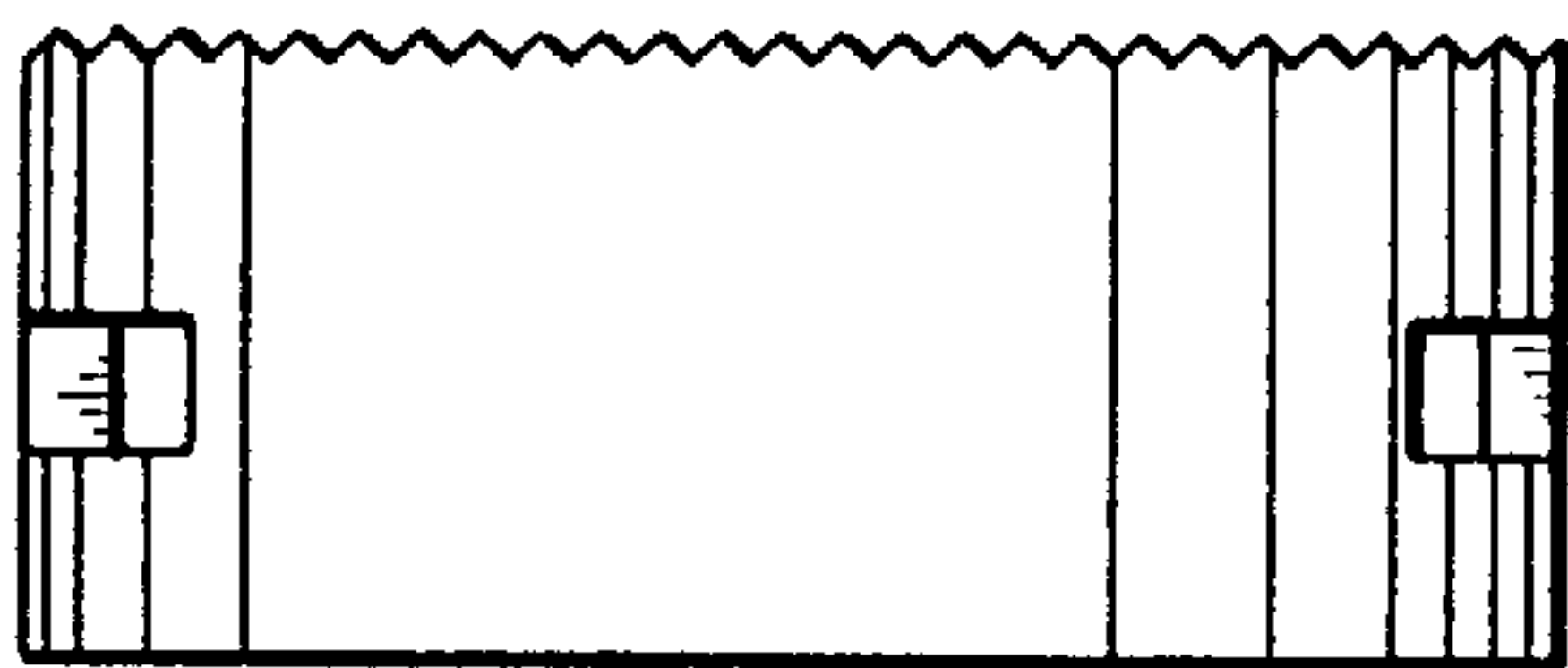
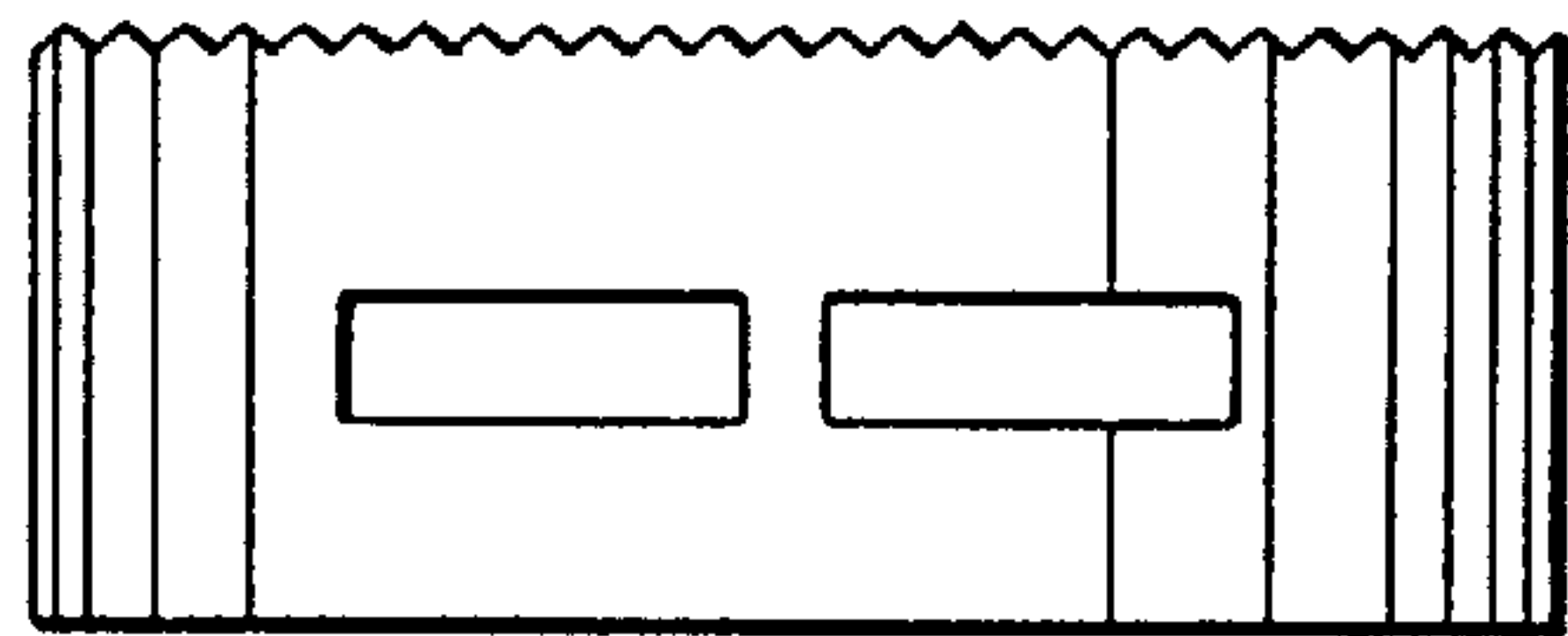


FIG. 7

FIG. 8

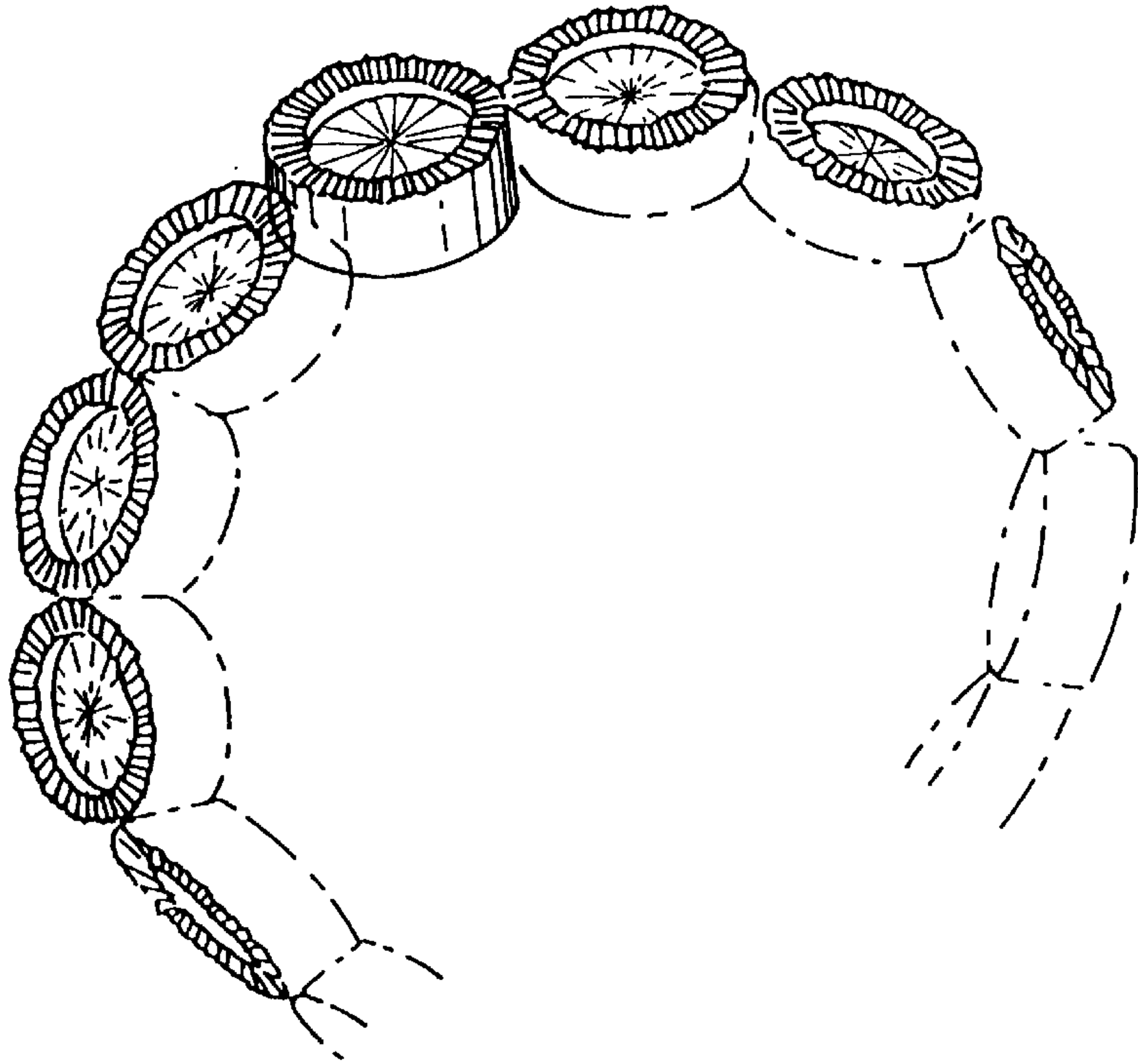


FIG. 9

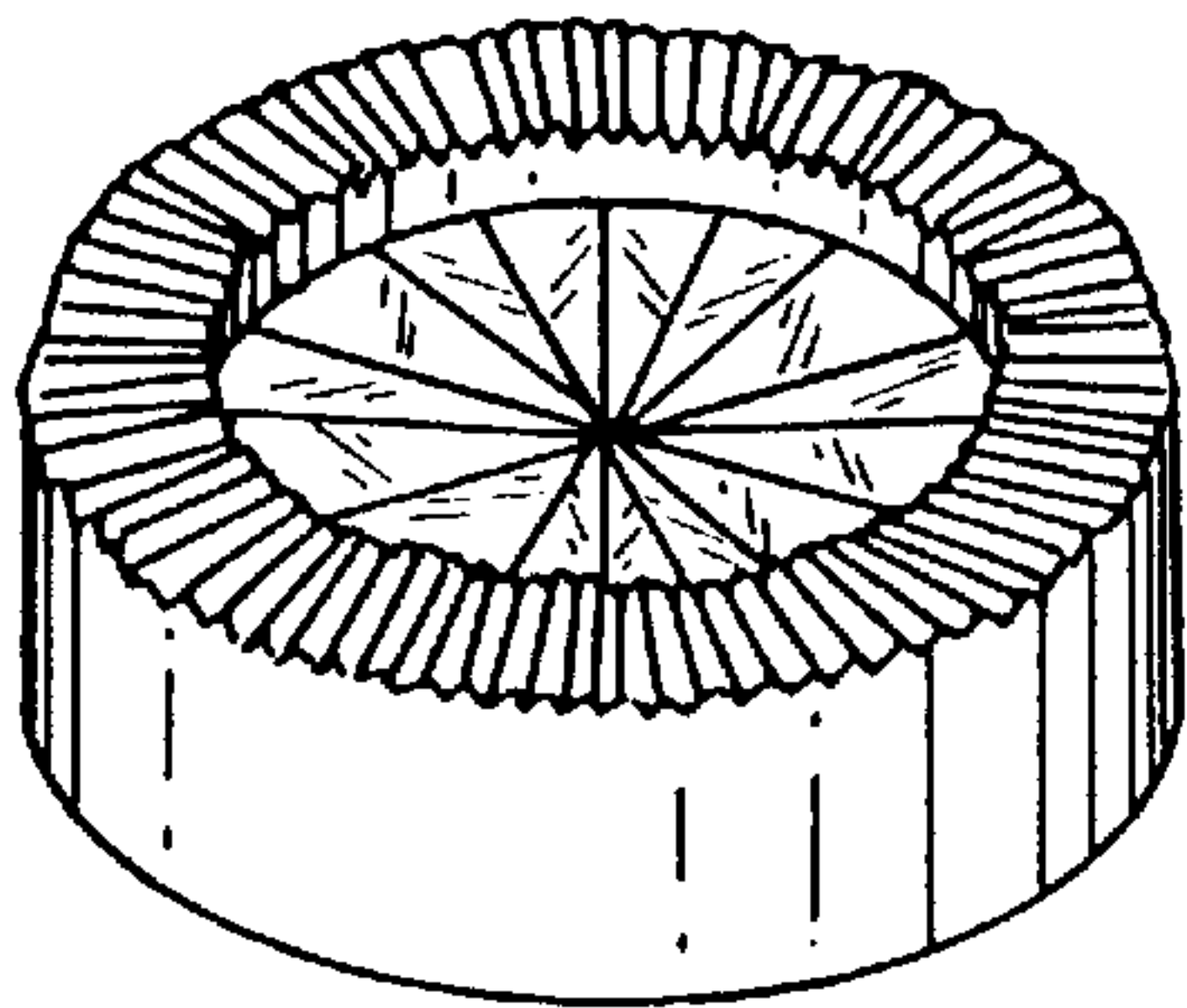


FIG. 10

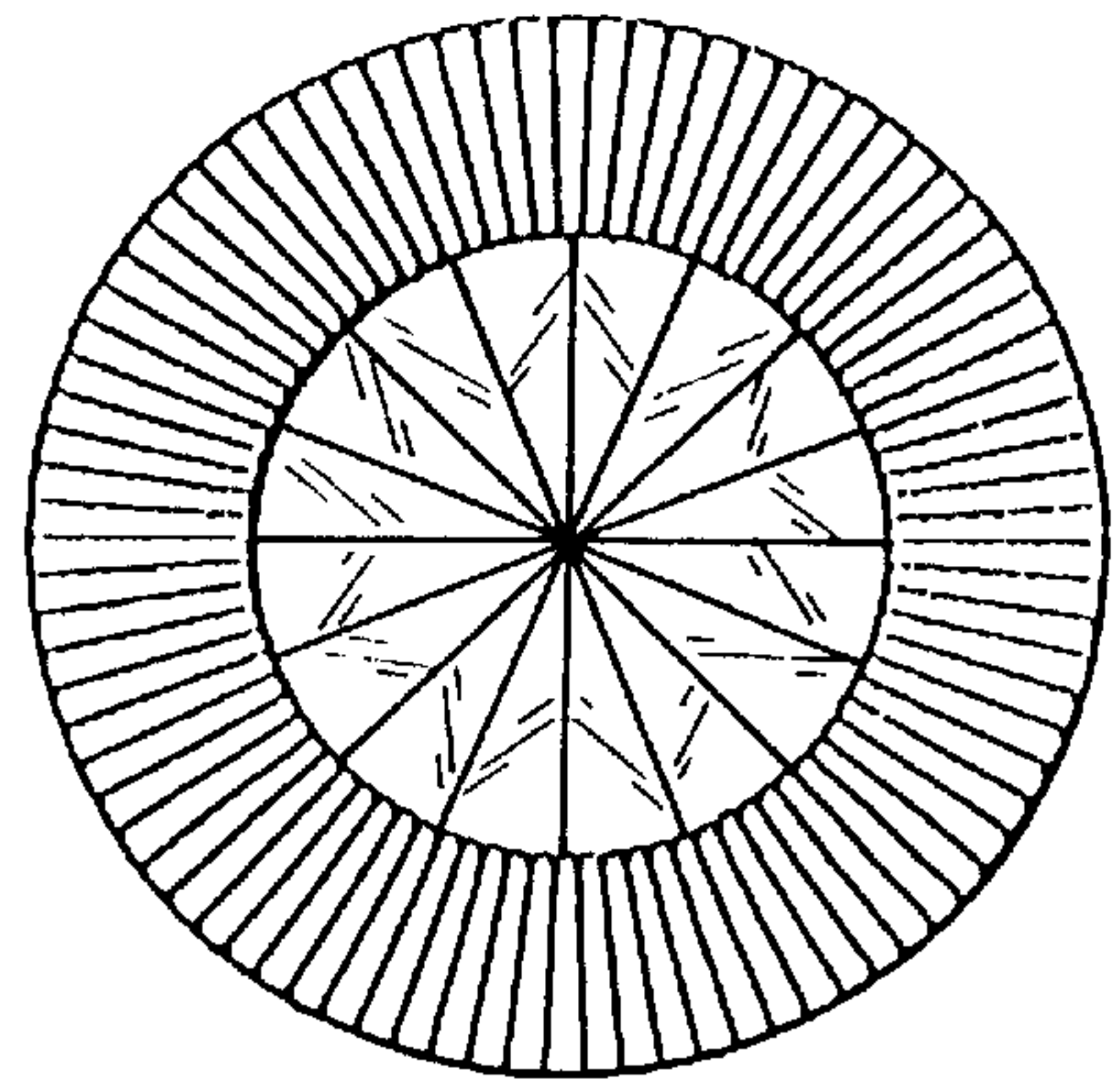


FIG. 11

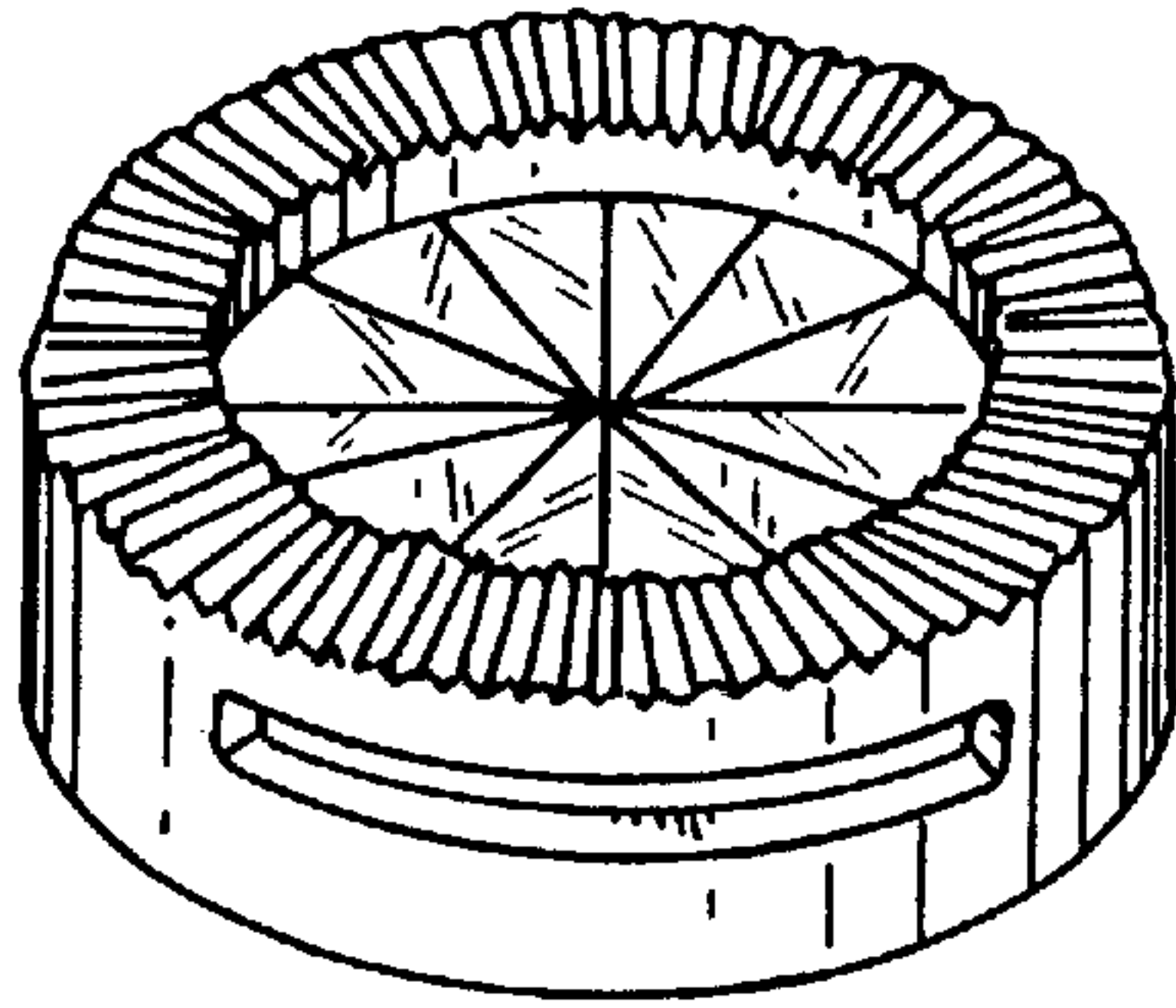


FIG. 12

FIG. 13

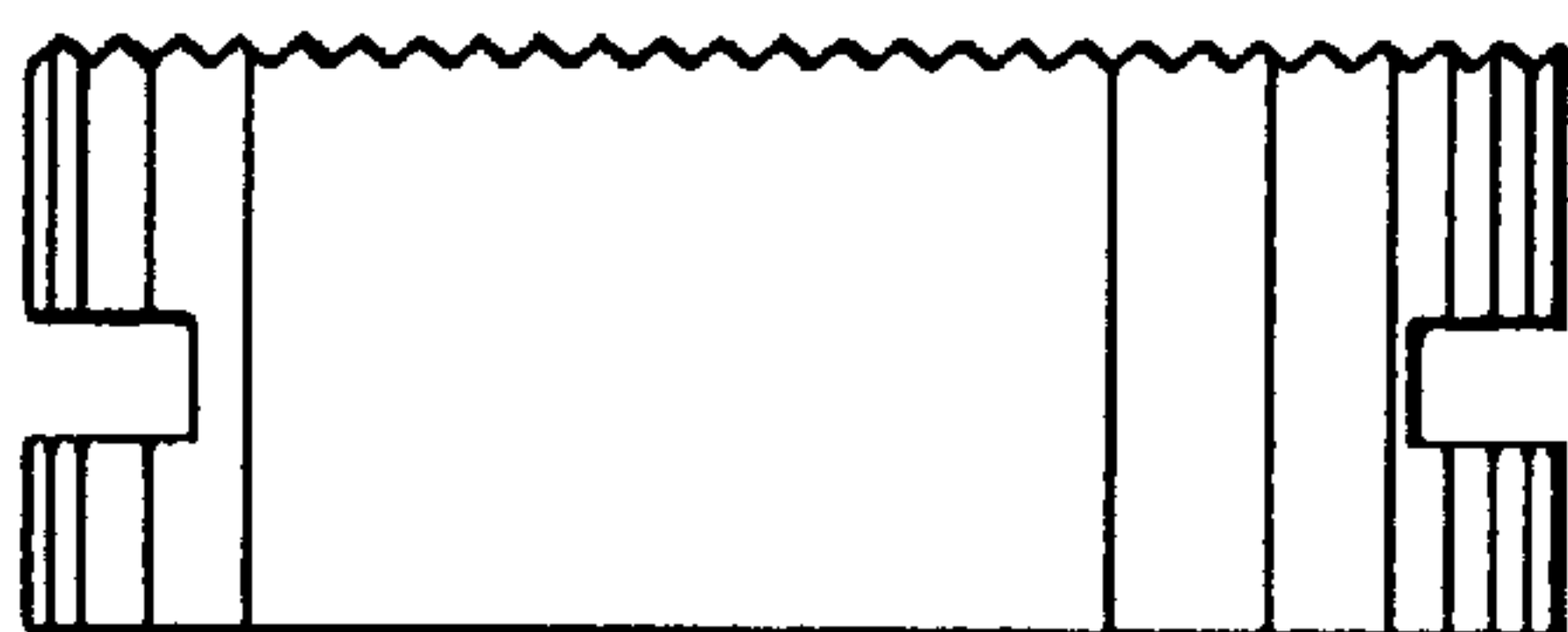
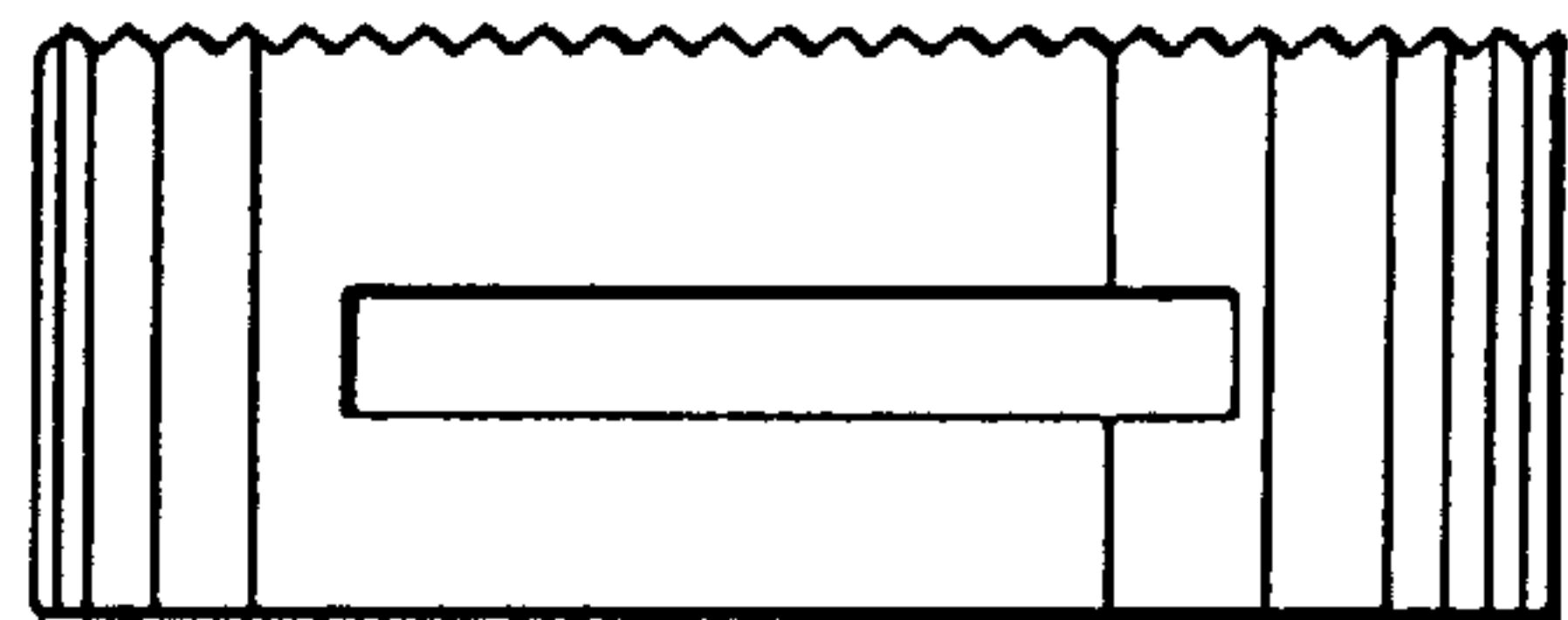


FIG. 14

FIG. 15

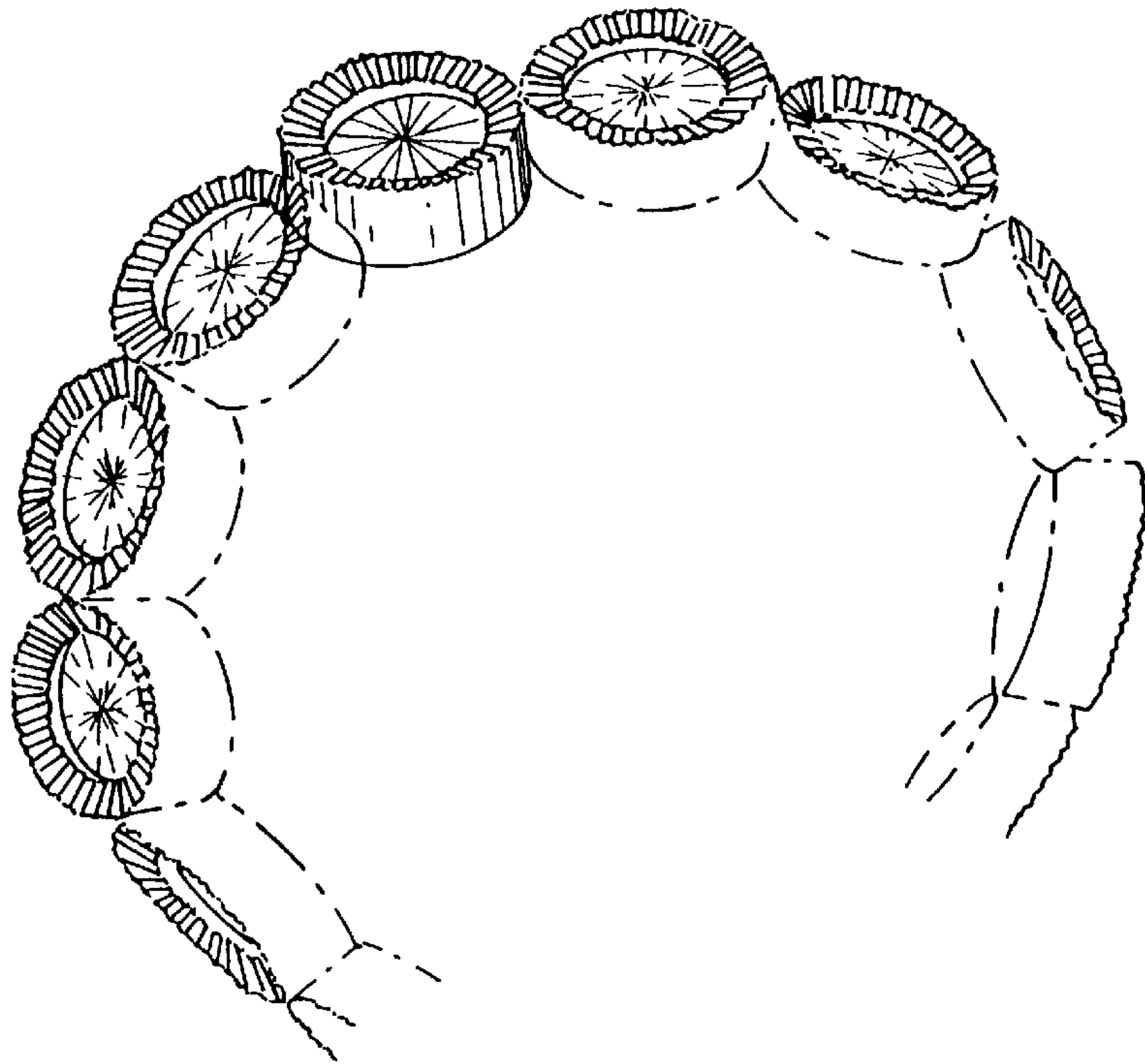


FIG. 16

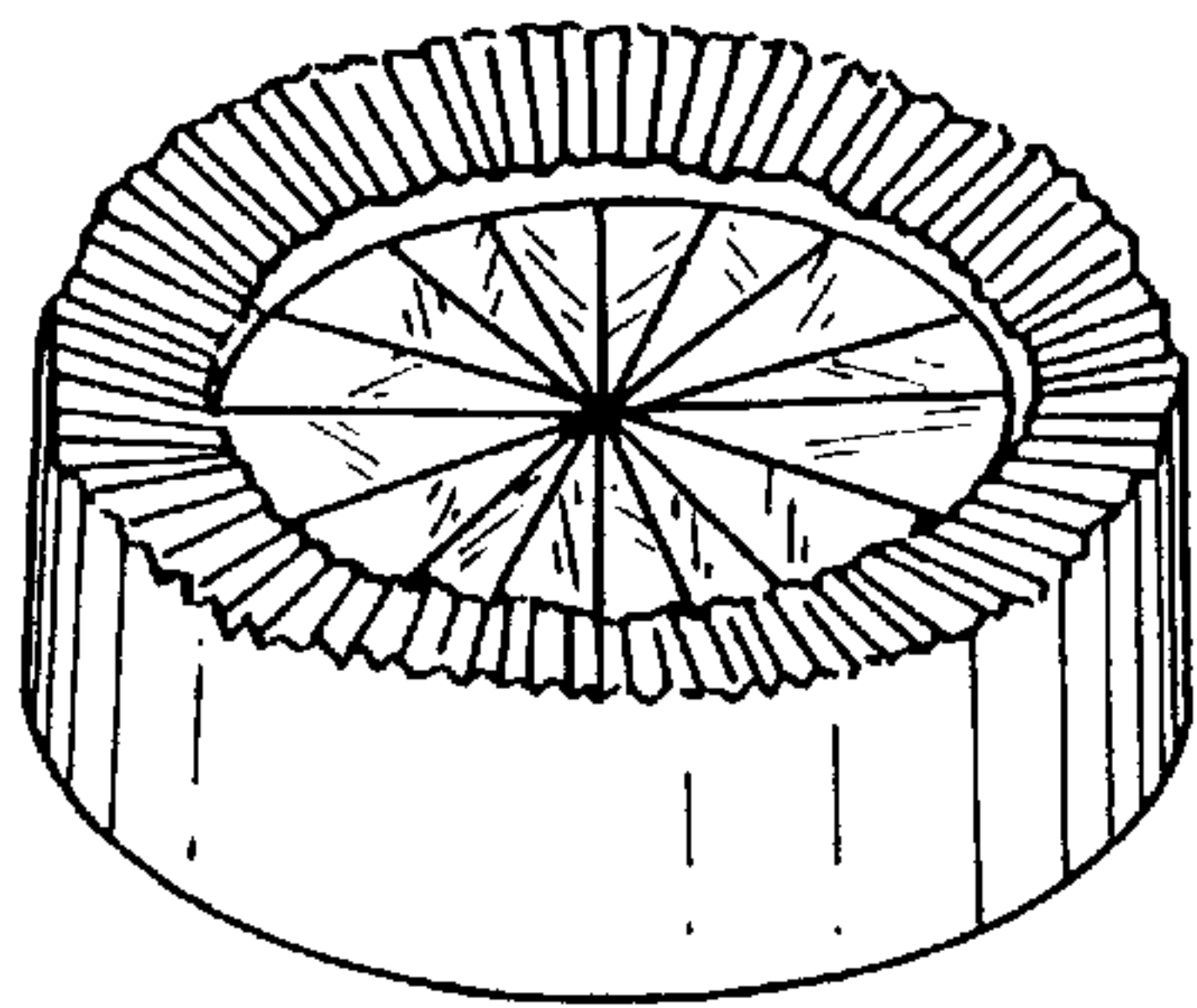


FIG. 17

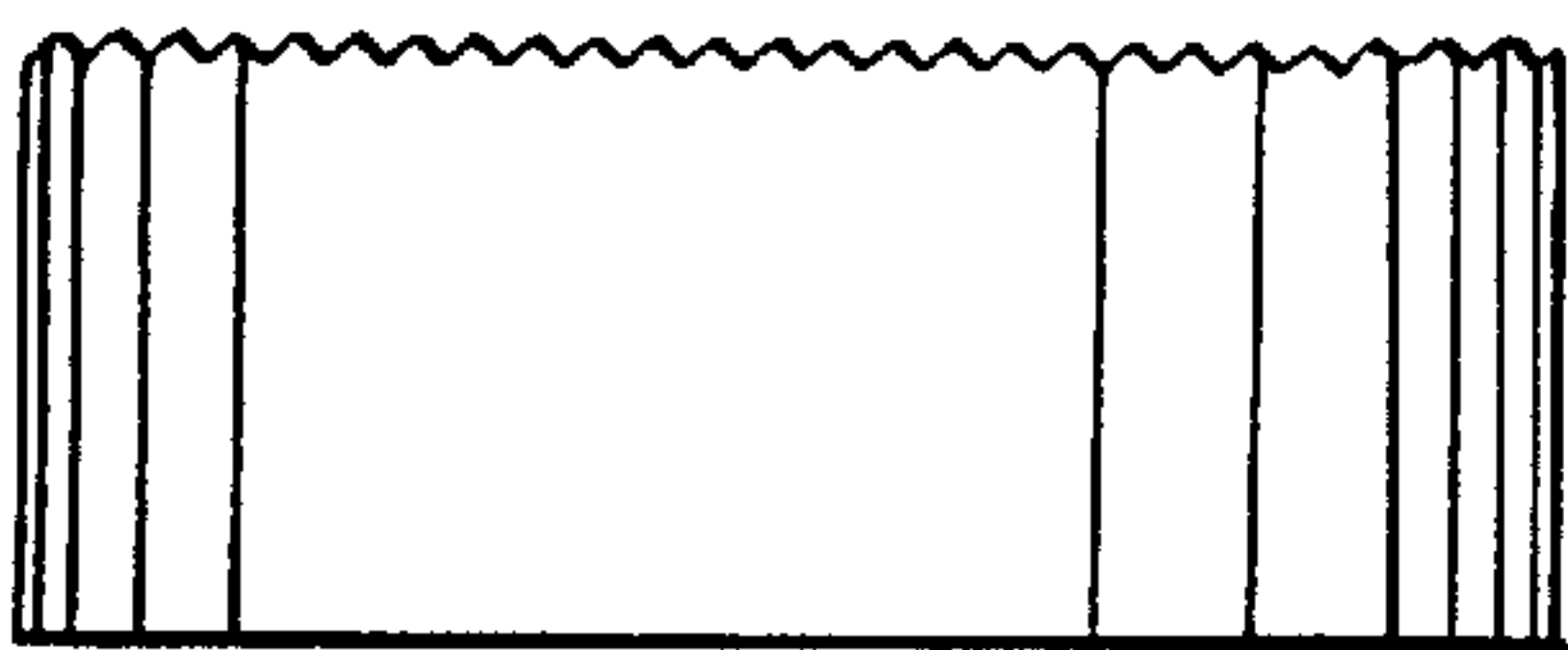
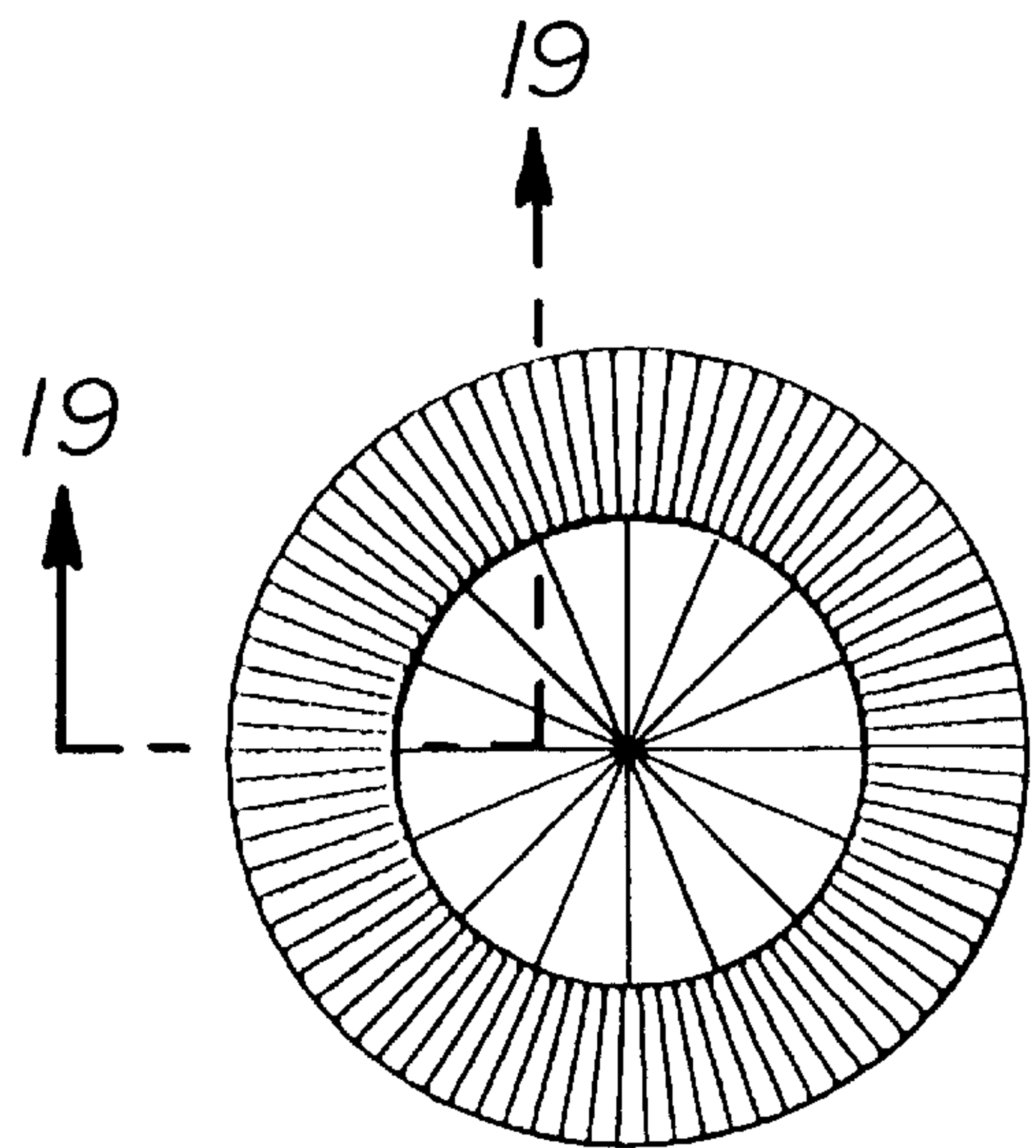


FIG. 18

FIG. 19

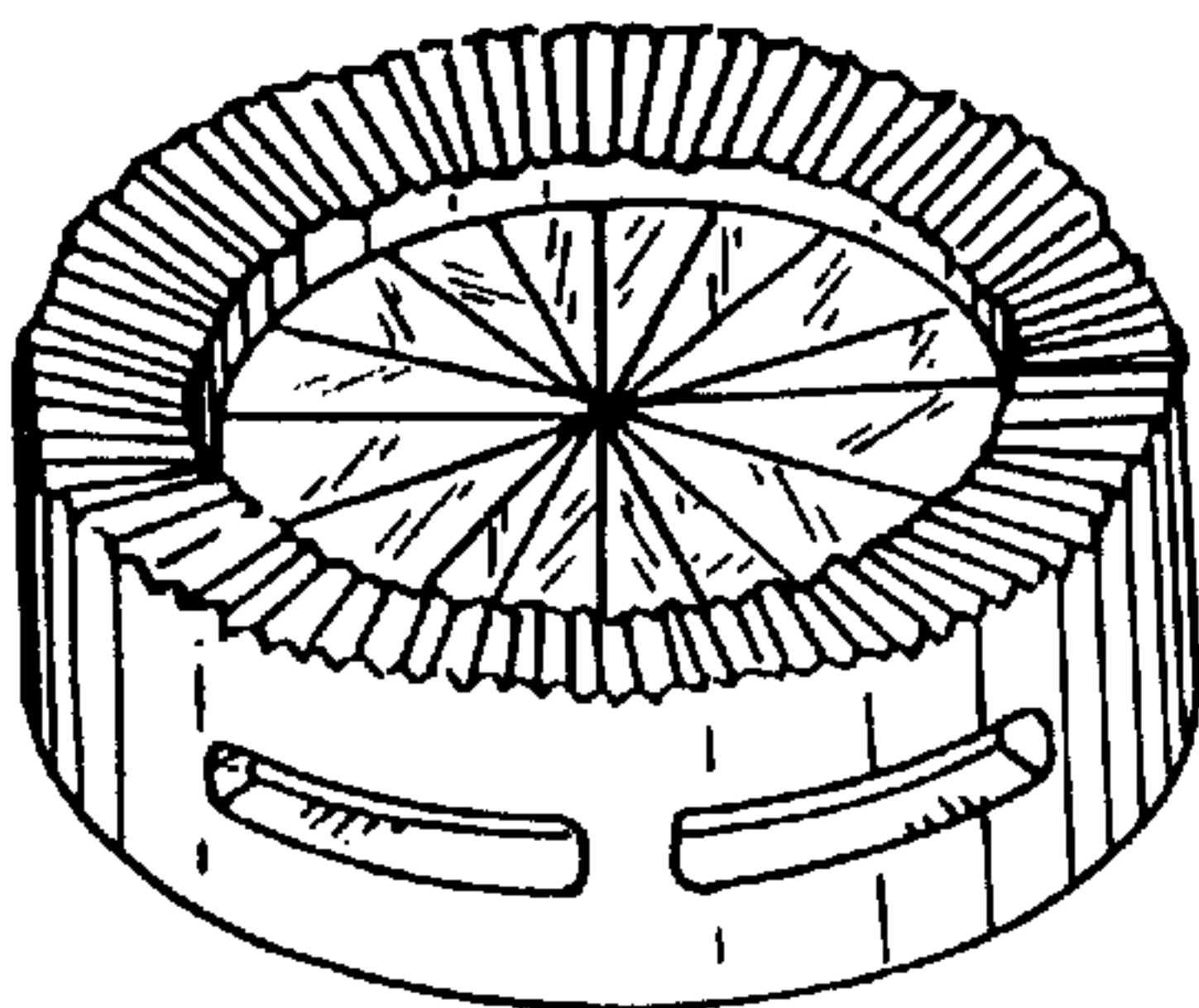
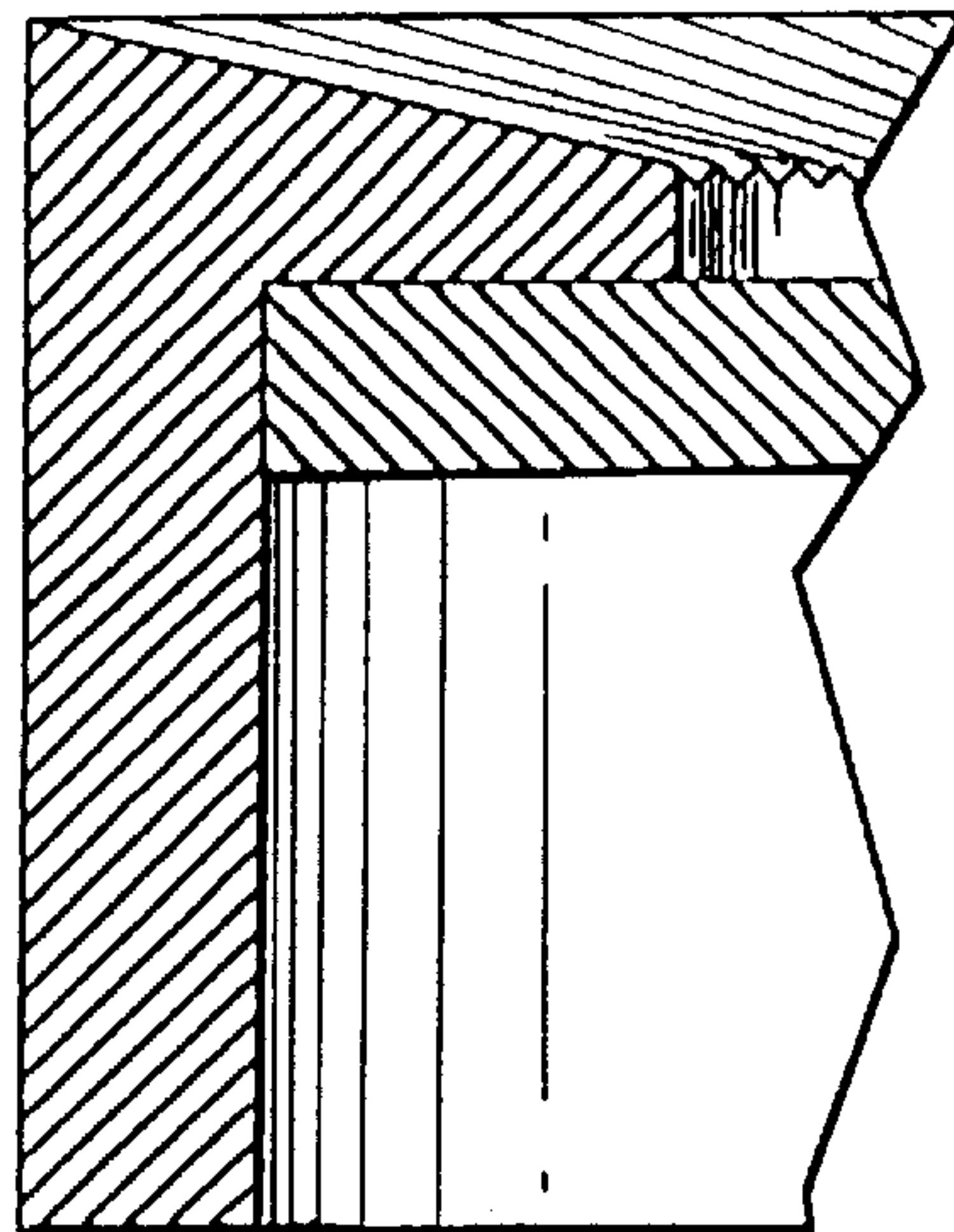


FIG. 20

FIG. 21

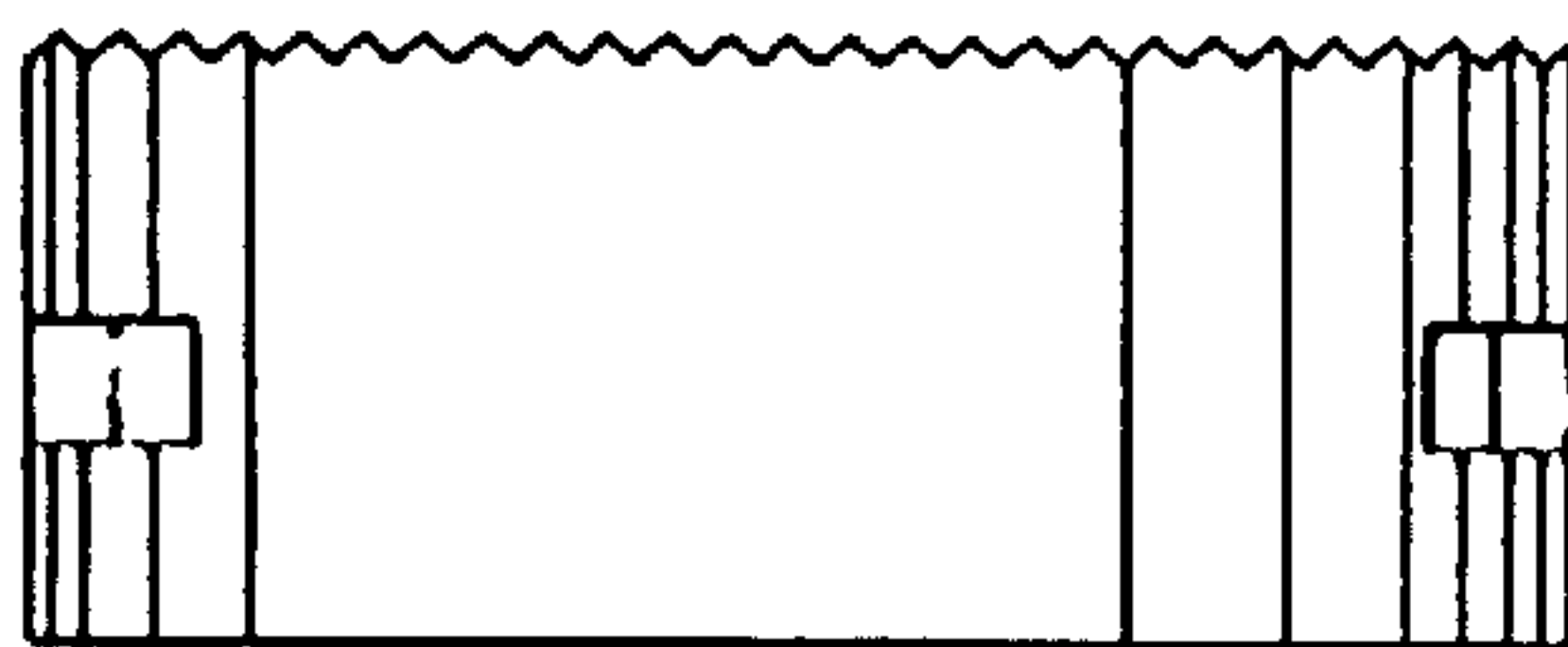
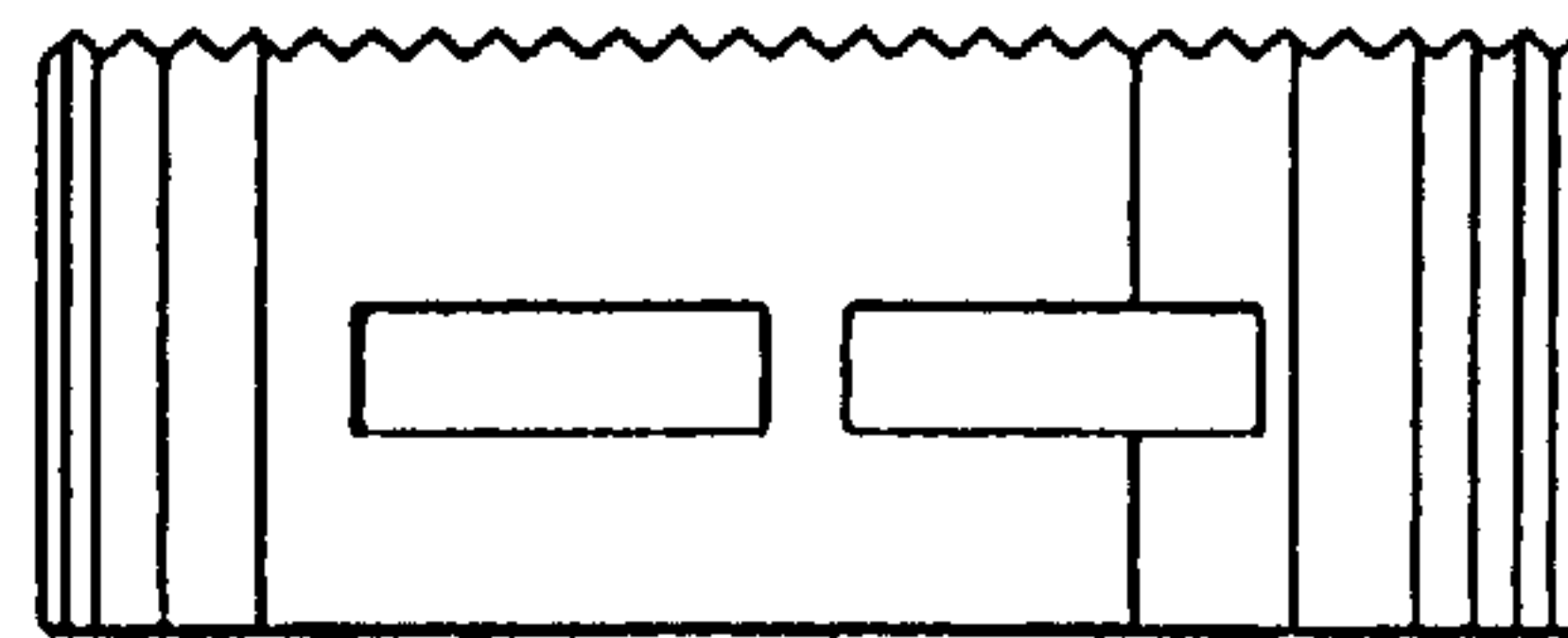


FIG. 22