



US00D406238S

# United States Patent [19] Voller

[11] **Patent Number: Des. 406,238**

[45] **Date of Patent: \*\*Mar. 2, 1999**

[54] **DUNNAGE BAG VALVE**

5,513,768 5/1996 Smith ..... 220/259

[76] Inventor: **Ronald L. Voller**, 5 N. 751 Maple Ct.,  
Medinah, Ill. 60157

*Primary Examiner*—James Gandy  
*Assistant Examiner*—Cathron B. Matta  
*Attorney, Agent, or Firm*—Robert A. Brown

[\*\*] Term: **14 Years**

[57] **CLAIM**

[21] Appl. No.: **69,625**

The ornamental design for a dunnage bag valve, as shown and described.

[22] Filed: **Apr. 28, 1997**

**DESCRIPTION**

[51] **LOC (6) Cl.** ..... **09-07**

[52] **U.S. Cl.** ..... **D9/446; D23/233**

[58] **Field of Search** ..... D9/435, 440, 443,  
D9/446, 447; D23/233, 245, 249, 259,  
260; 137/223; 206/522; 215/204, 228, 306;  
220/259, 375; 251/149.5; 383/3; 410/119,  
125

FIG. 1 is a perspective view of a dunnage bag valve showing my new design;  
FIG. 2 is a left side elevational view thereof;  
FIG. 3 is a right side elevational view thereof;  
FIG. 4 is a front side elevational view thereof;  
FIG. 5 is a top side plan view thereof;  
FIG. 6 is a rear side elevational view thereof; and,  
FIG. 7 is a perspective view thereof showing my new design in its assembled structural appearance.

[56] **References Cited**

**U.S. PATENT DOCUMENTS**

5,111,838 5/1992 Langston ..... 137/223

**1 Claim, 3 Drawing Sheets**

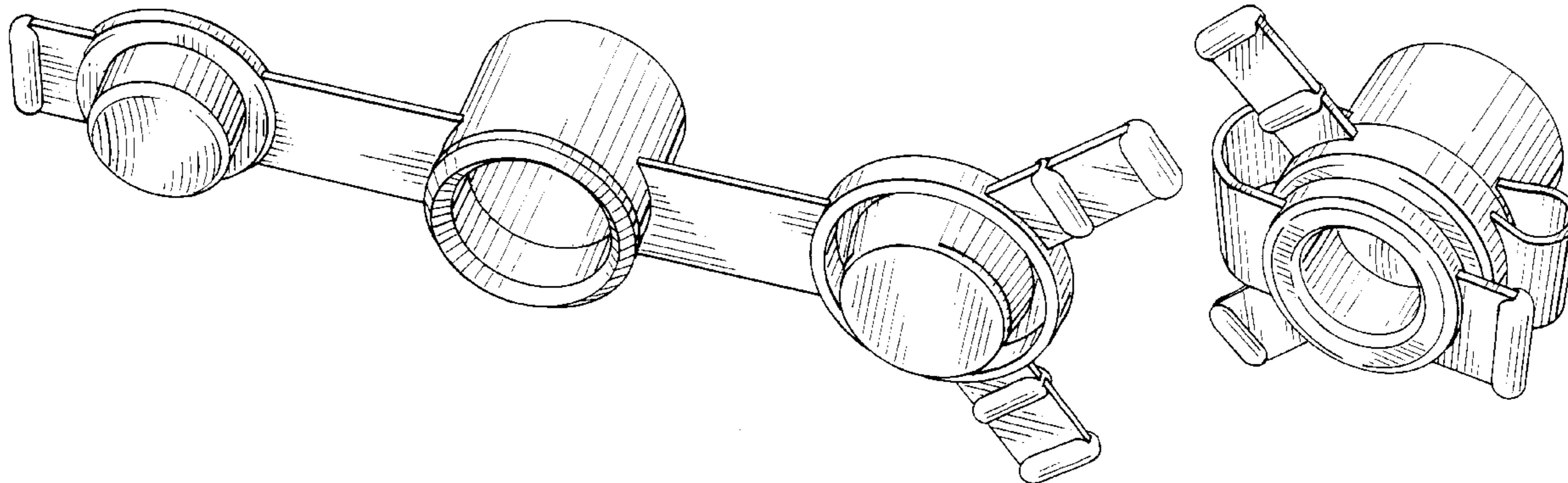


FIG. 1

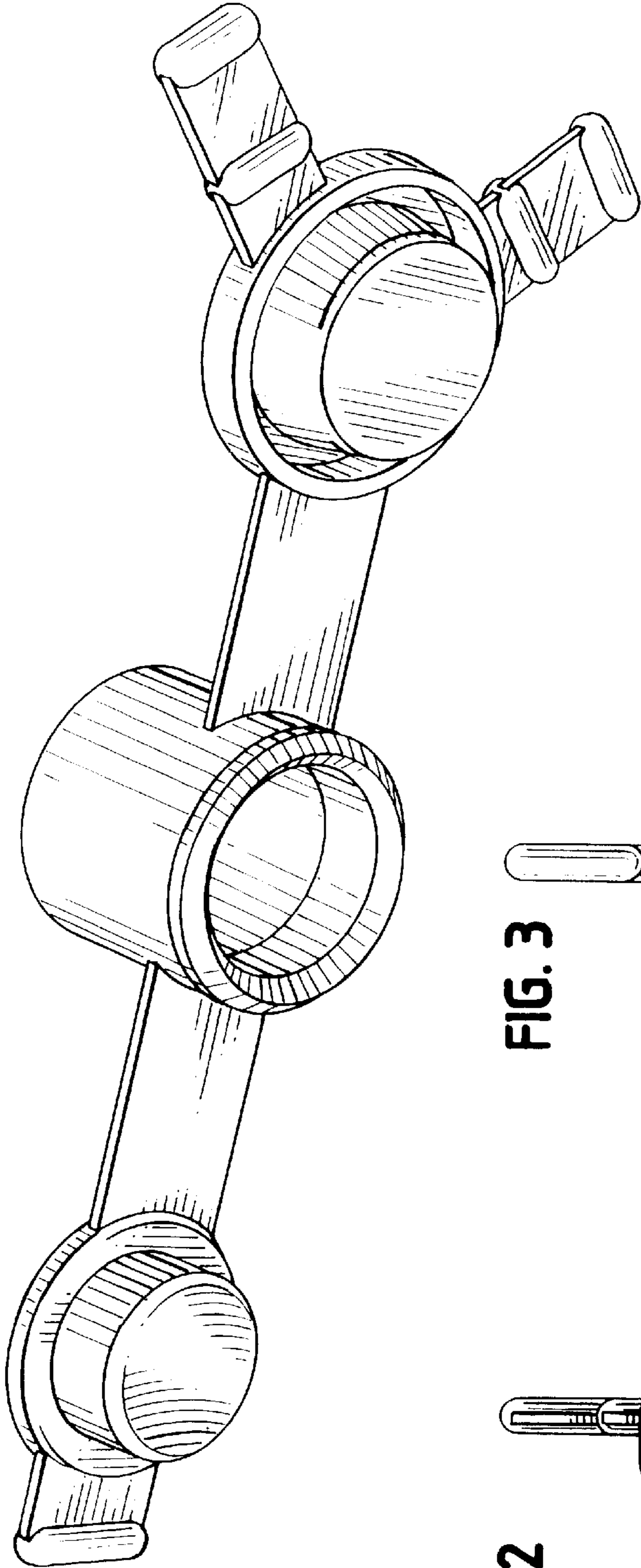


FIG. 3

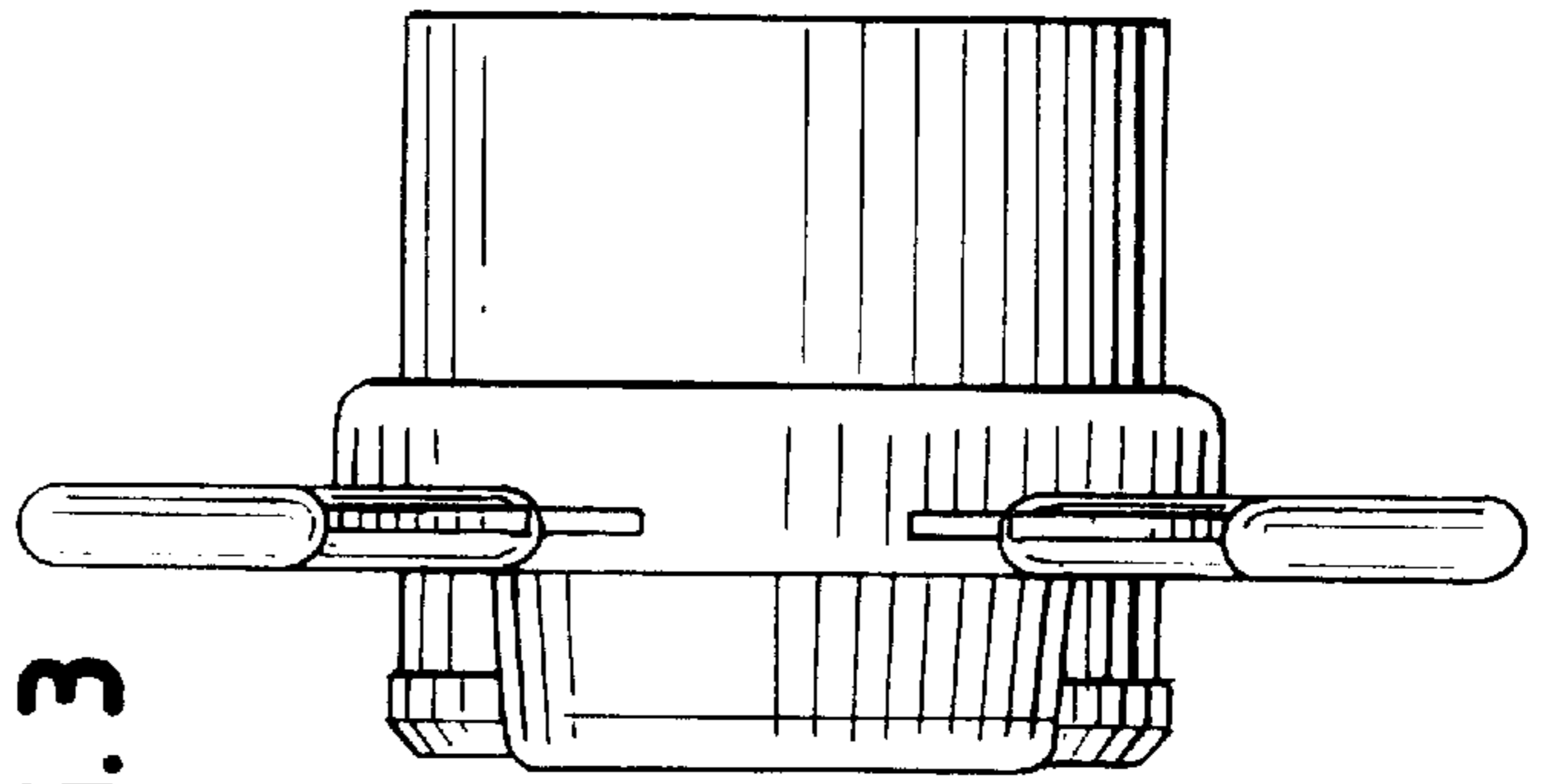


FIG. 2

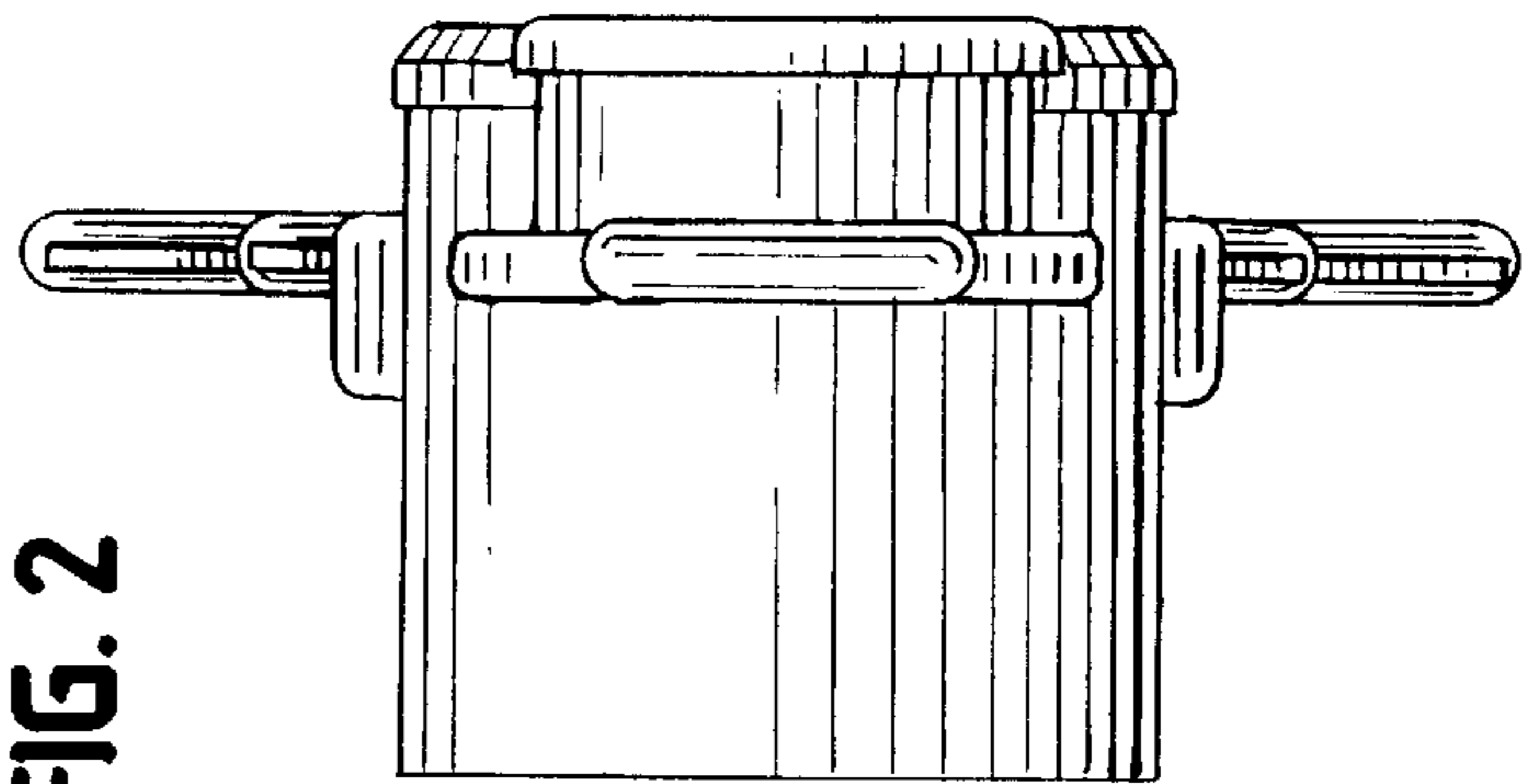


FIG. 4

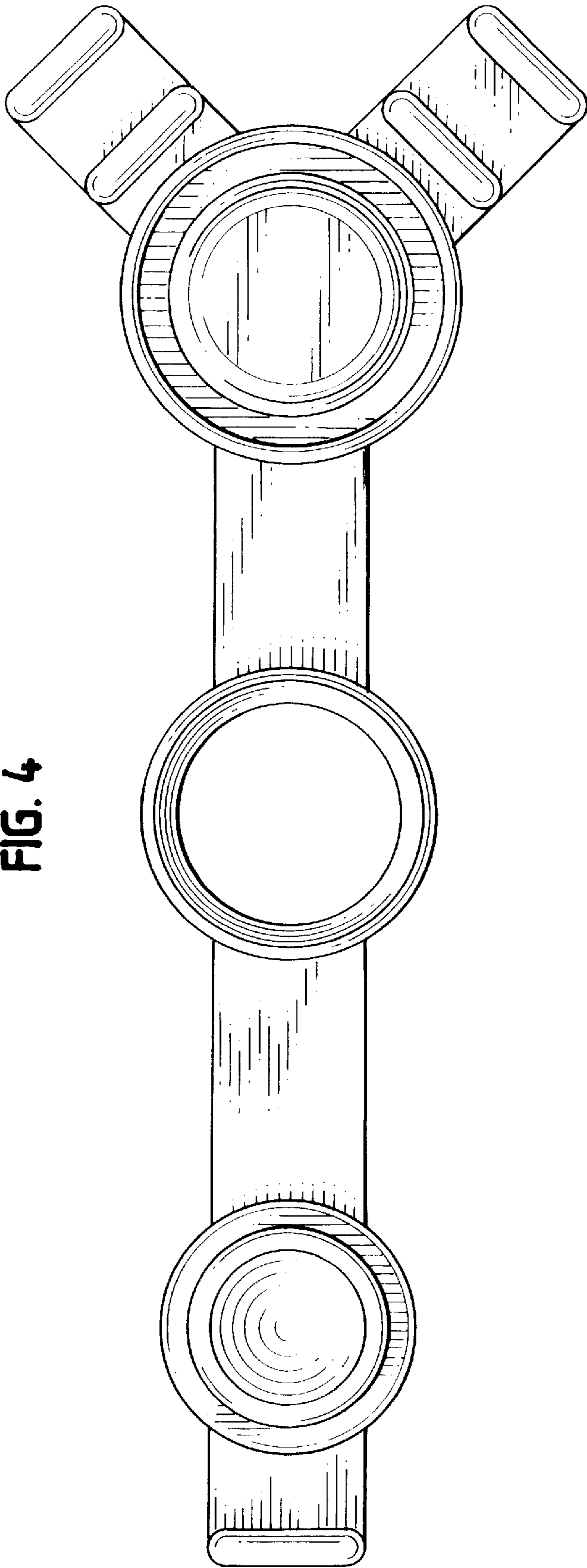


FIG. 5

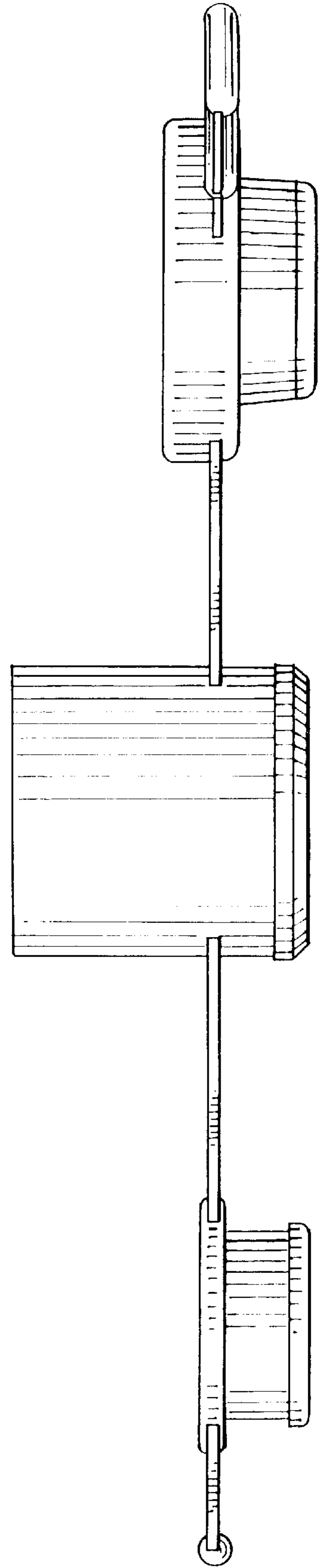


FIG. 6

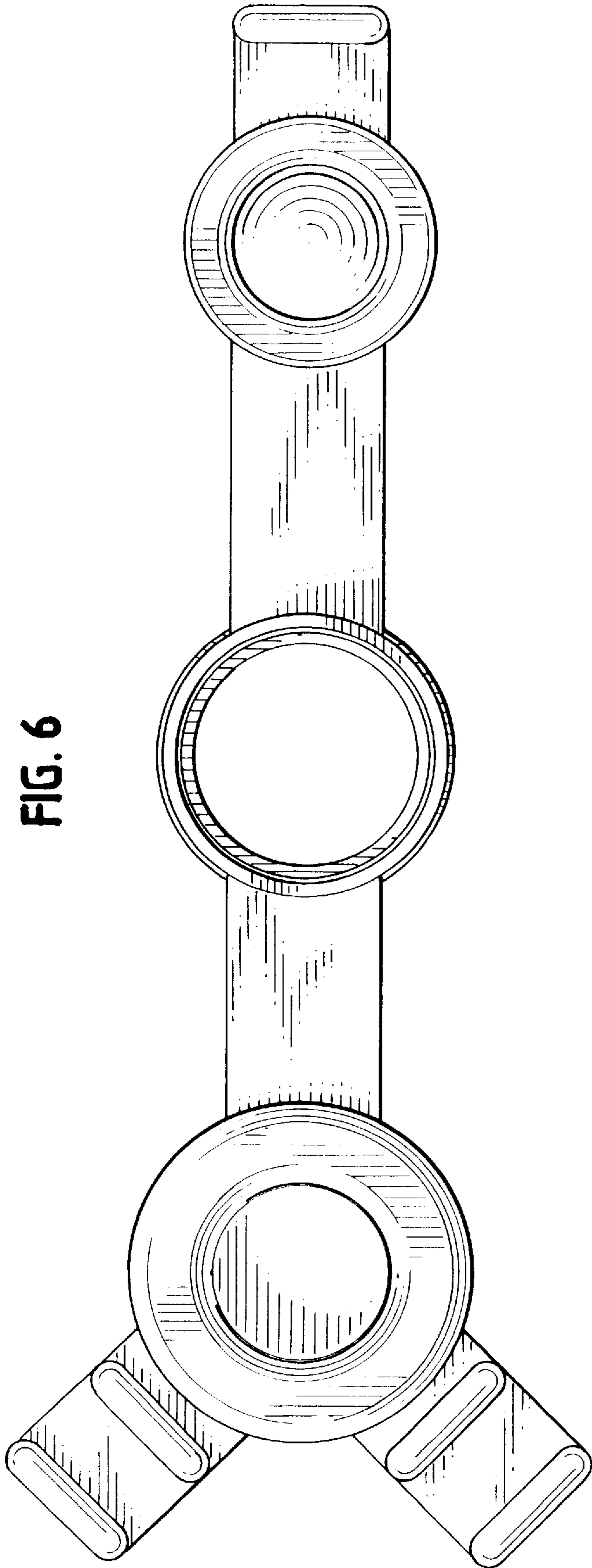


FIG. 7

