



US00D406230S

# United States Patent [19]

Brorsson et al.

[11] **Patent Number: Des. 406,230**

[45] **Date of Patent: \*\*Mar. 2, 1999**

[54] **LOCKING SPRING FOR A CONNECTOR**

[75] Inventors: **Lena Charlott Brorsson**, Lund; **Jan Gustav Atterklint**, Skärholmen; **Sven Ingvar Sjöqvist**, Tullinge, all of Sweden; **Jacobus Nicolaas Tuin**, Best, Netherlands; **Carl-Magnus Hansson**, Lund, Sweden

[73] Assignee: **Telefonaktiebolaget LM Ericsson**, Stockholm, Sweden

[\*\*] Term: **14 Years**

[21] Appl. No.: **60,685**

[22] Filed: **Oct. 4, 1996**

[30] **Foreign Application Priority Data**

Apr. 4, 1996 [SE] Sweden ..... 96-0774

[51] **LOC (6) Cl.** ..... **08-99**

[52] **U.S. Cl.** ..... **D8/499; D13/154**

[58] **Field of Search** ..... **D13/133, 154; D14/217, 256; 439/345, 348, 592-597, 603; 403/280, 291, 297, 341; D8/499**

[56] **References Cited**

**U.S. PATENT DOCUMENTS**

306,690	10/1884	Johnson .	
3,486,162	12/1969	Leitmann .	
4,601,497	7/1986	Bartholomew .....	D13/133
4,861,278	8/1989	McBride et al. ....	439/596
4,932,899	6/1990	Sueyoshi et al. ....	439/594
4,944,696	7/1990	Sueyoshi et al. ....	439/595
5,160,279	11/1992	Sagawa et al. ....	439/595

*Primary Examiner*—B. J. Bullock

*Attorney, Agent, or Firm*—Burns, Doane, Swecker & Mathis, L.L.P.

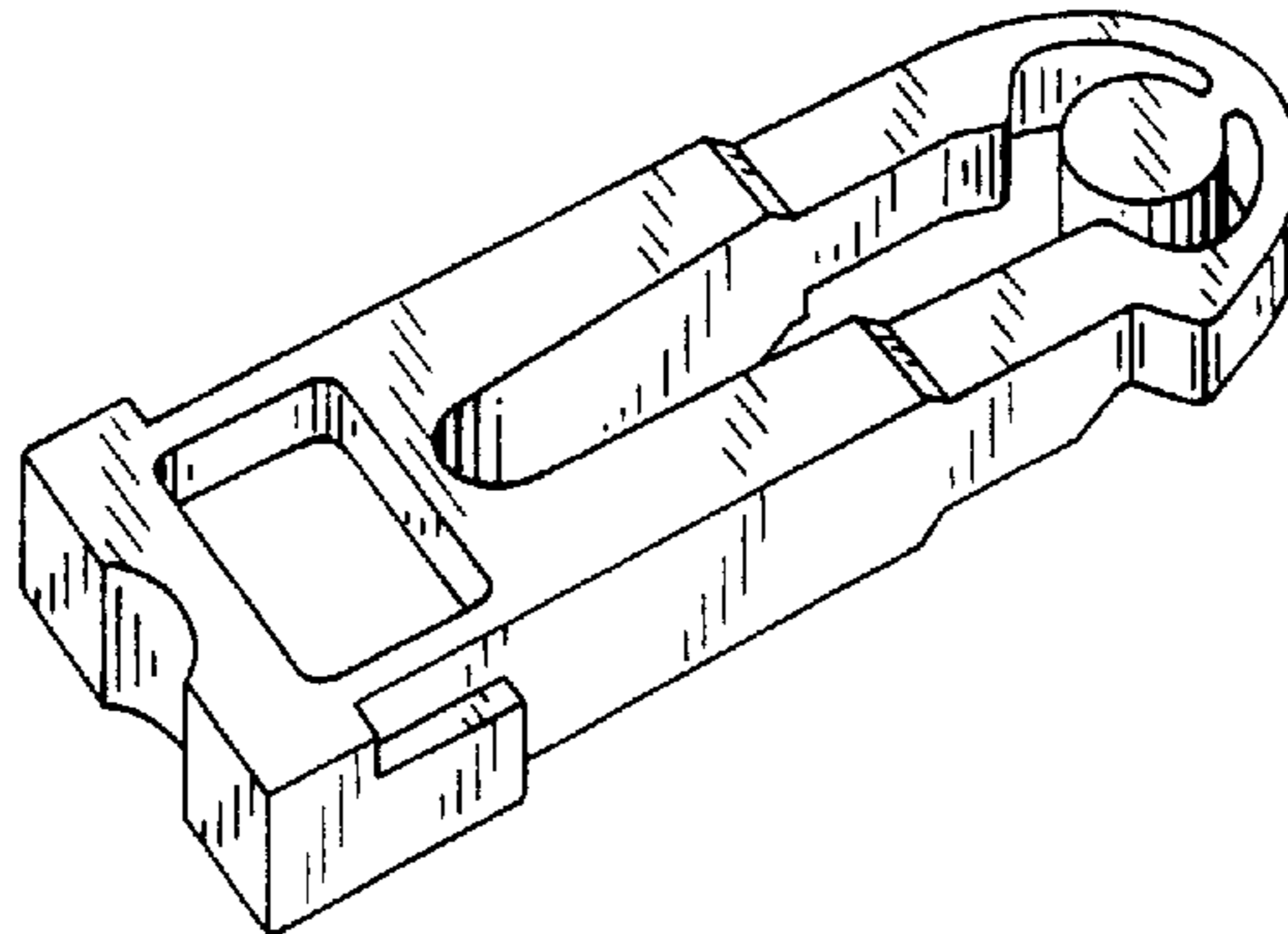
[57] **CLAIM**

The ornamental design for a locking spring for a connector, as shown and described.

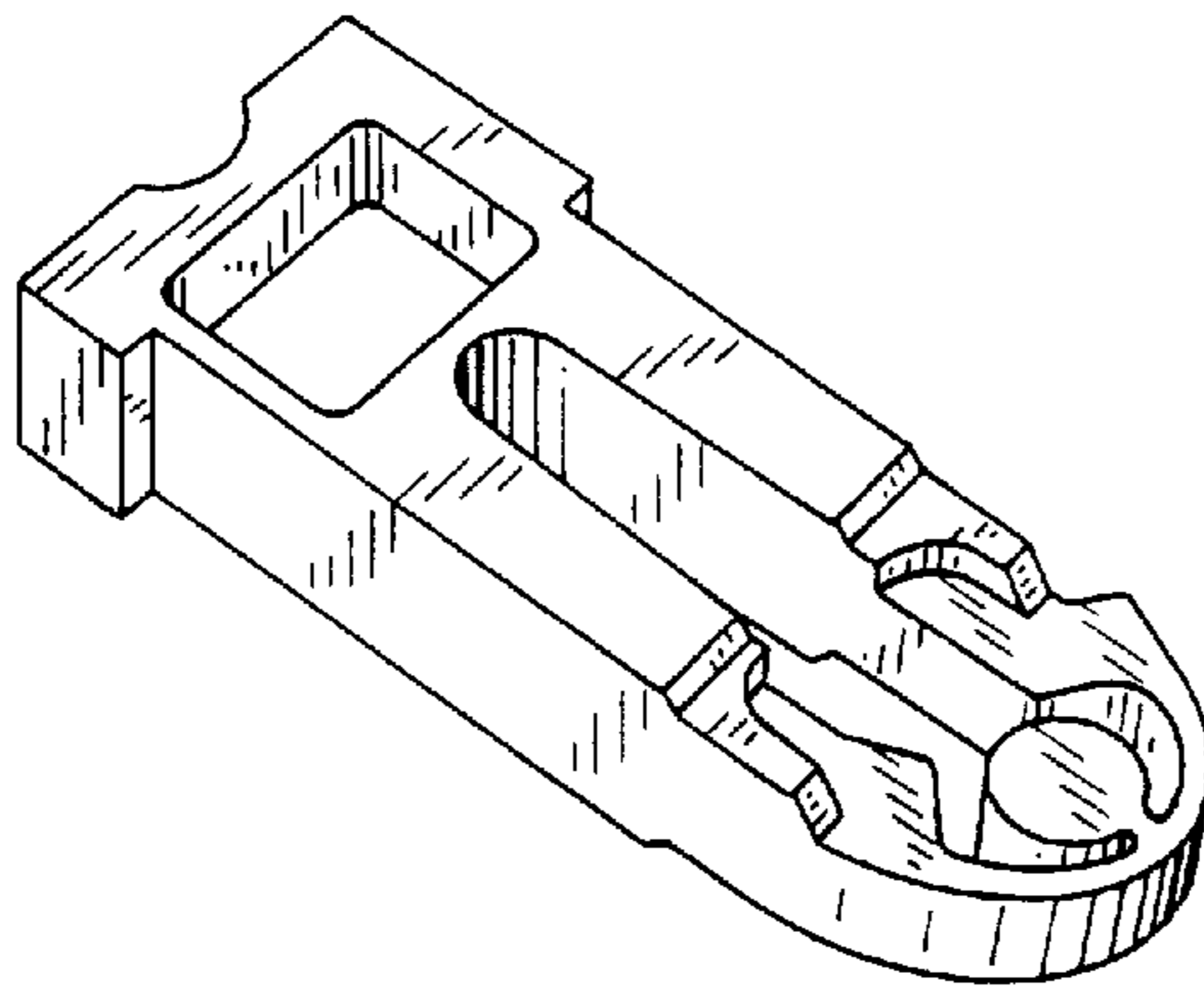
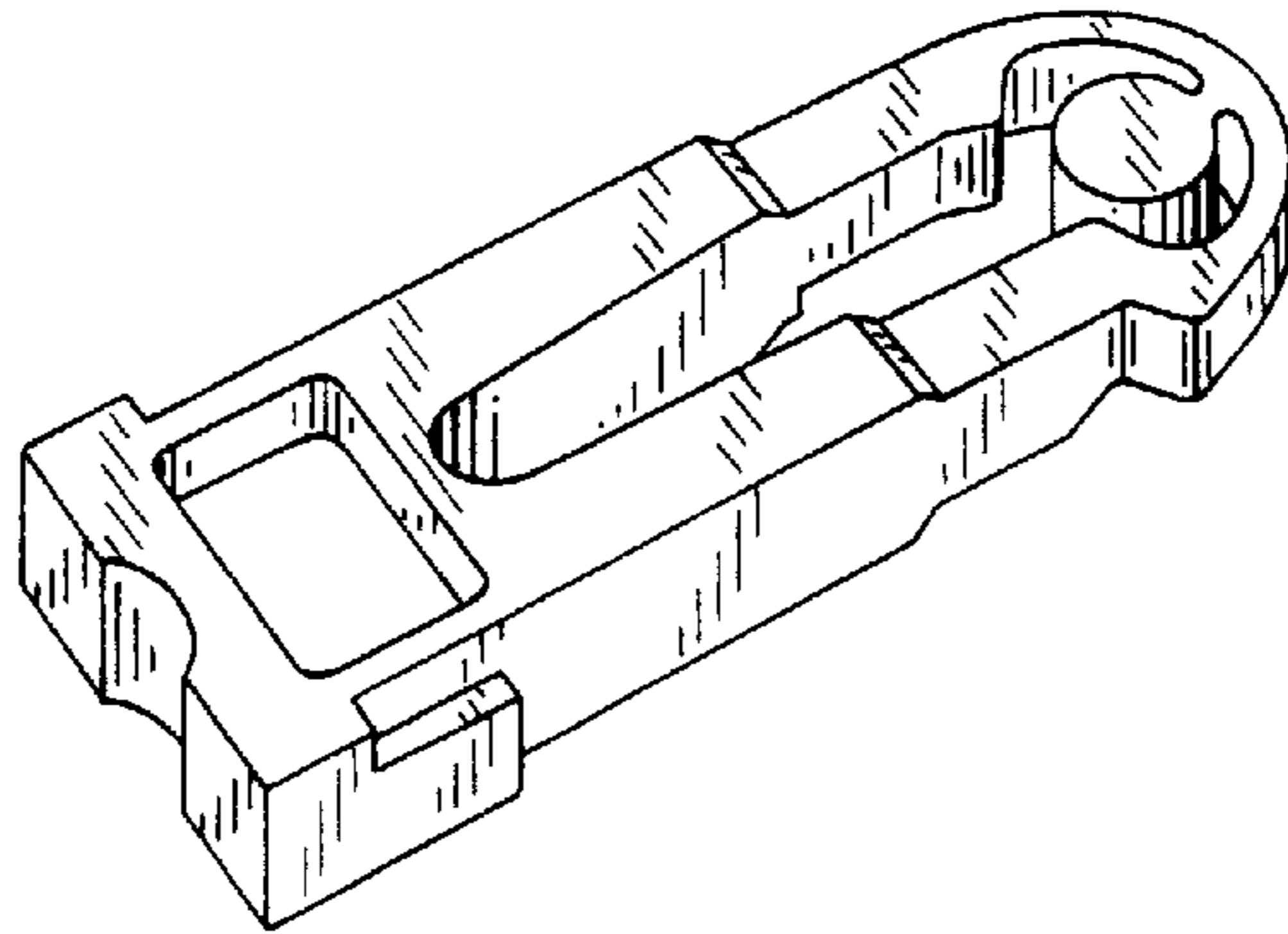
**DESCRIPTION**

FIG. 1 is a rear, top perspective view of the locking spring for a connector showing our new design; and, FIG. 2 is a front, bottom perspective view thereof.

**1 Claim, 1 Drawing Sheet**



*FIG. 1*



*FIG. 2*