



US00D406229S

# United States Patent [19]

Lucht

[11] **Patent Number: Des. 406,229**

[45] **Date of Patent: \*\*Mar. 2, 1999**

[54] **ROTOR FOR WIRE DISPLAY RACK**

[75] Inventor: **Wayne Lucht**, Bedford Park, Ill.

[73] Assignee: **Midway Displays, Inc.**, Bedford Park, Ill.

[\*\*] Term: **14 Years**

[21] Appl. No.: **63,222**

[22] Filed: **Dec. 2, 1996**

[51] **LOC (6) Cl. .... 08-08**

[52] **U.S. Cl. .... D8/382**

[58] **Field of Search .... D8/382, 499; D6/455, D6/457; 211/175, 189, 186**

[56] **References Cited**

**U.S. PATENT DOCUMENTS**

- D. 227,528 7/1973 Wahl ..... D8/382
- D. 237,762 11/1975 Handry ..... D6/457
- D. 285,169 8/1986 Resan ..... D8/382

- D. 308,011 5/1990 Norris ..... D8/382
- D. 330,982 11/1992 Braun ..... D6/457
- D. 333,723 3/1993 Risner ..... D6/457
- D. 354,862 1/1995 Goldberg ..... D6/457
- D. 372,419 8/1996 Ikegami ..... D8/382

*Primary Examiner*—Ted Shooman  
*Assistant Examiner*—Mitchell I Siegel  
*Attorney, Agent, or Firm*—Leydig, Voit & Mayer, Ltd.

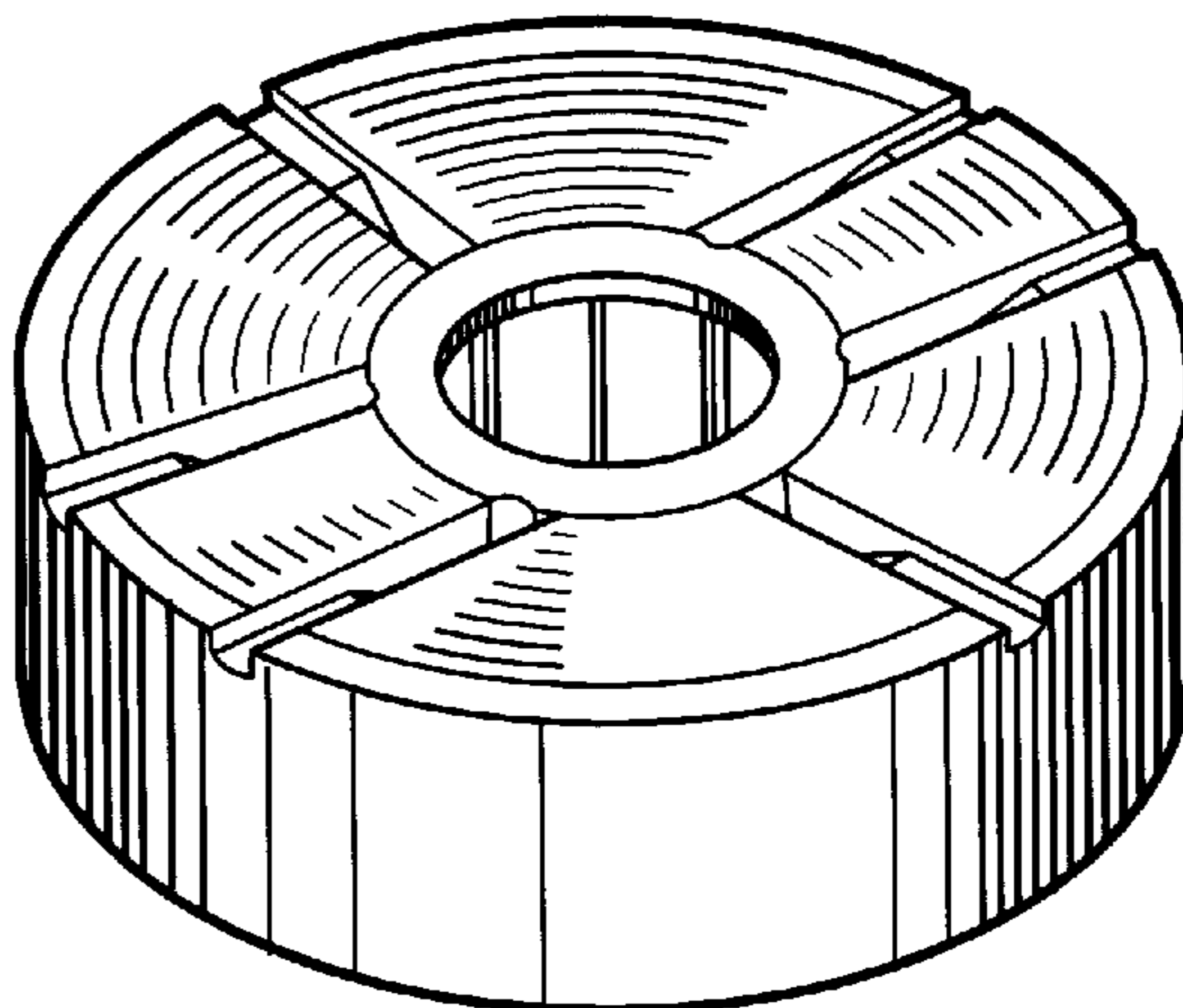
[57] **CLAIM**

The ornamental design for a rotor for wire display rack, as shown and described.

**DESCRIPTION**

FIG. 1 is a top perspective view of a rotor for wire display rack showing my new design; FIG. 2 is a top plan view thereof; FIG. 3 is a right side view thereof; FIG. 4 is a front side view thereof; and, FIG. 5 is a bottom plan view.

**1 Claim, 1 Drawing Sheet**



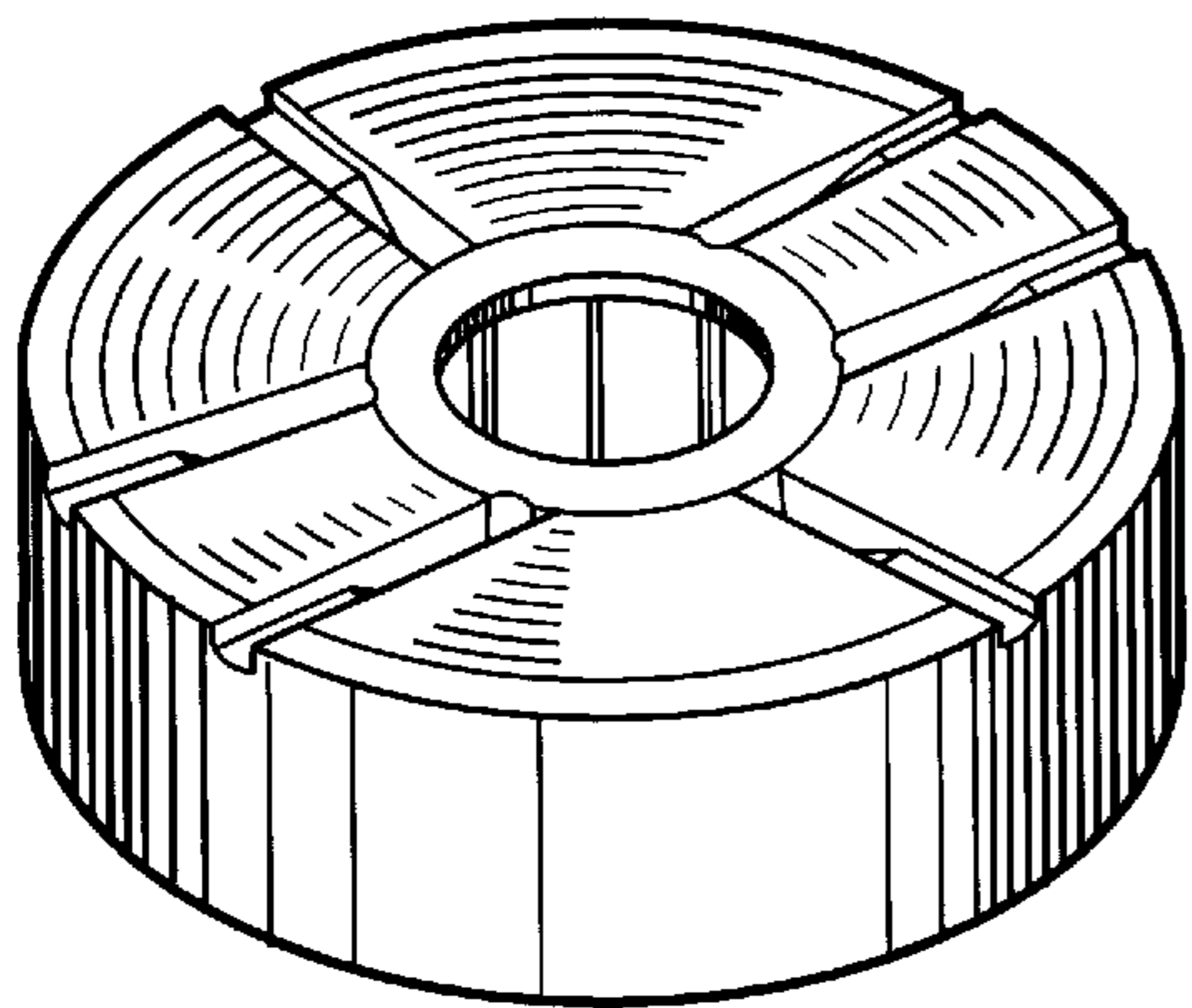


FIG. 1

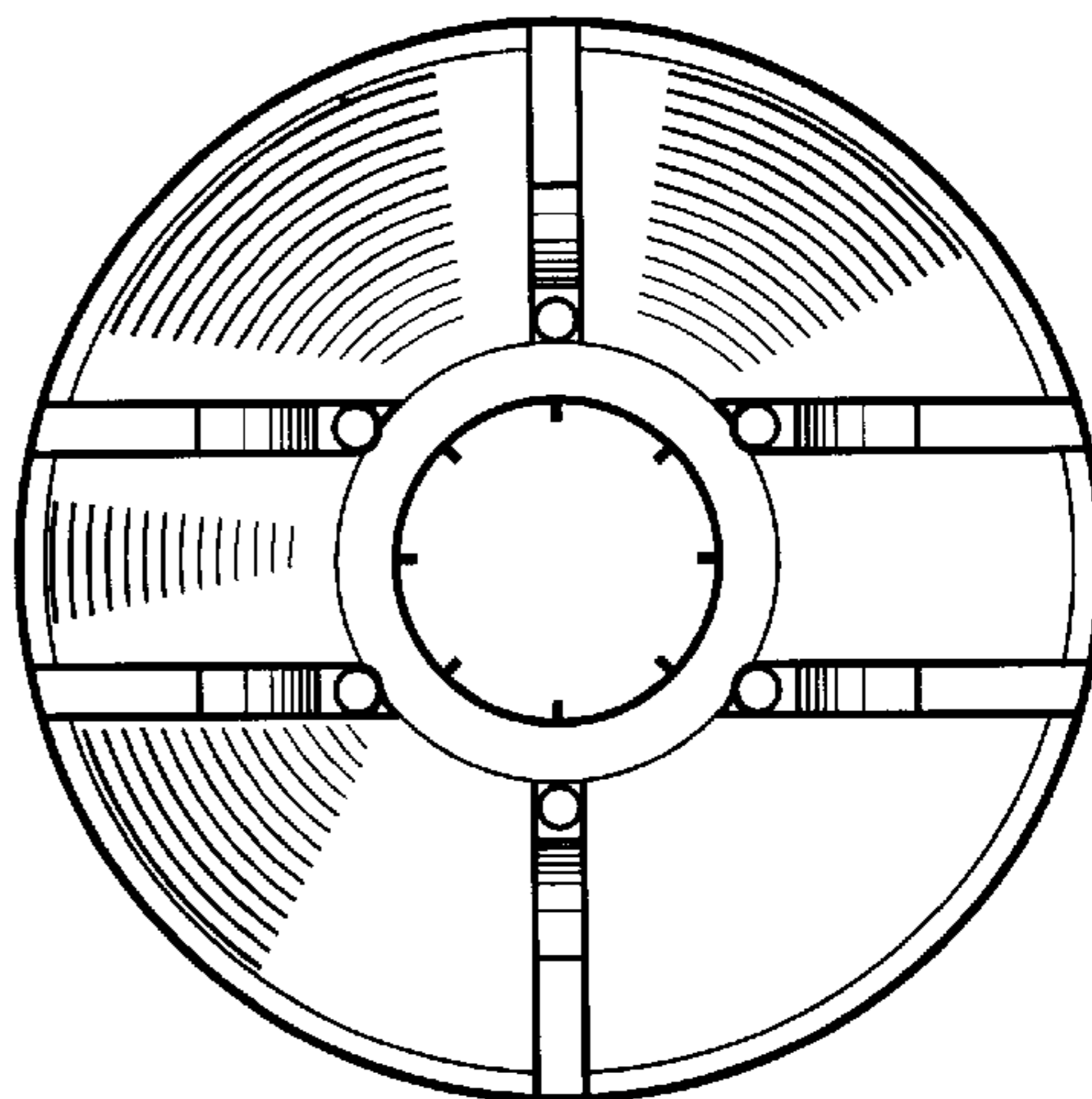


FIG. 2

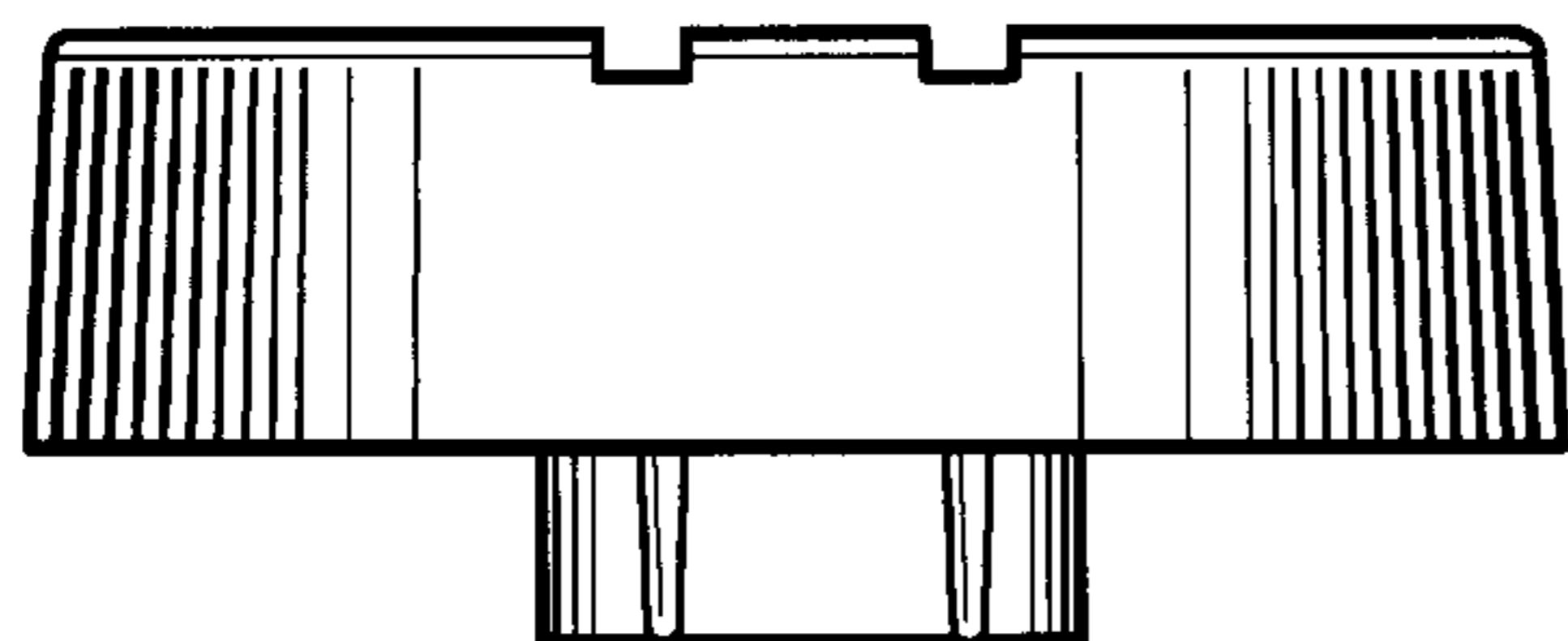


FIG. 3

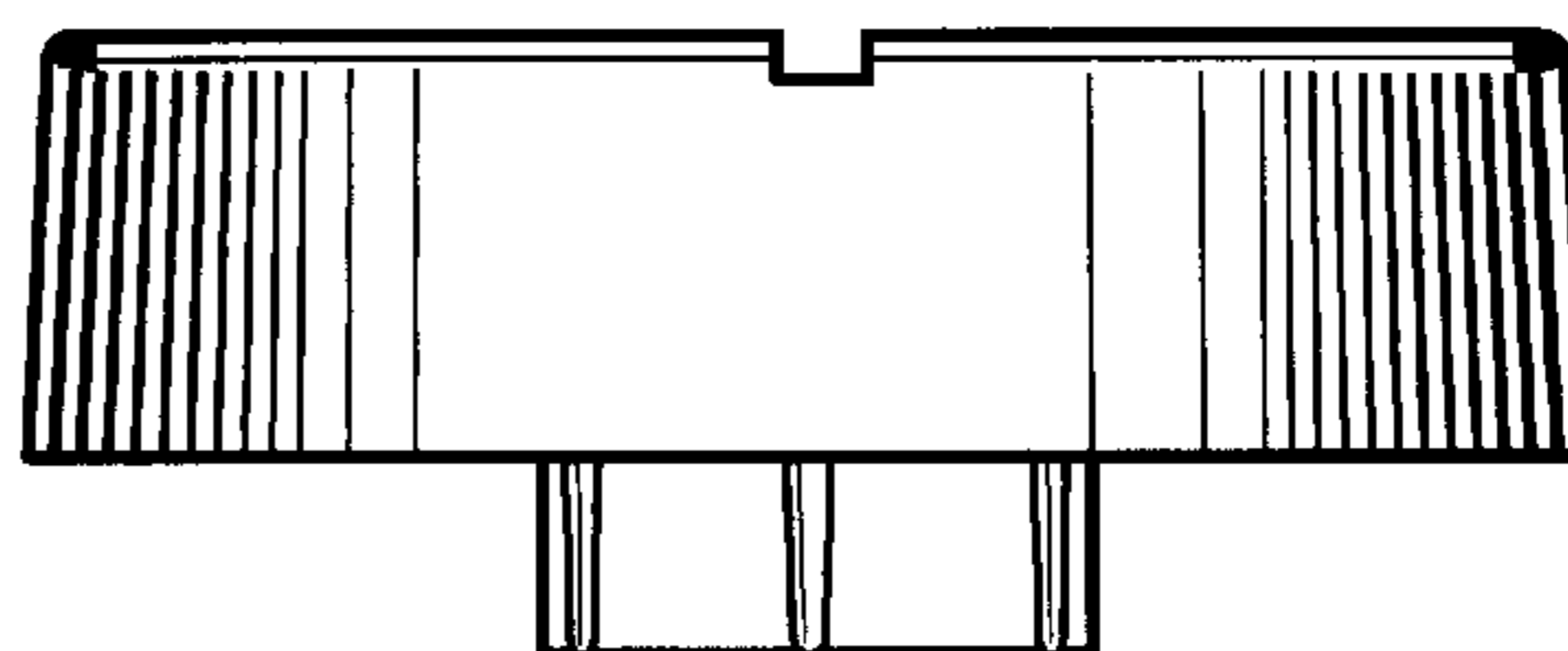


FIG. 4

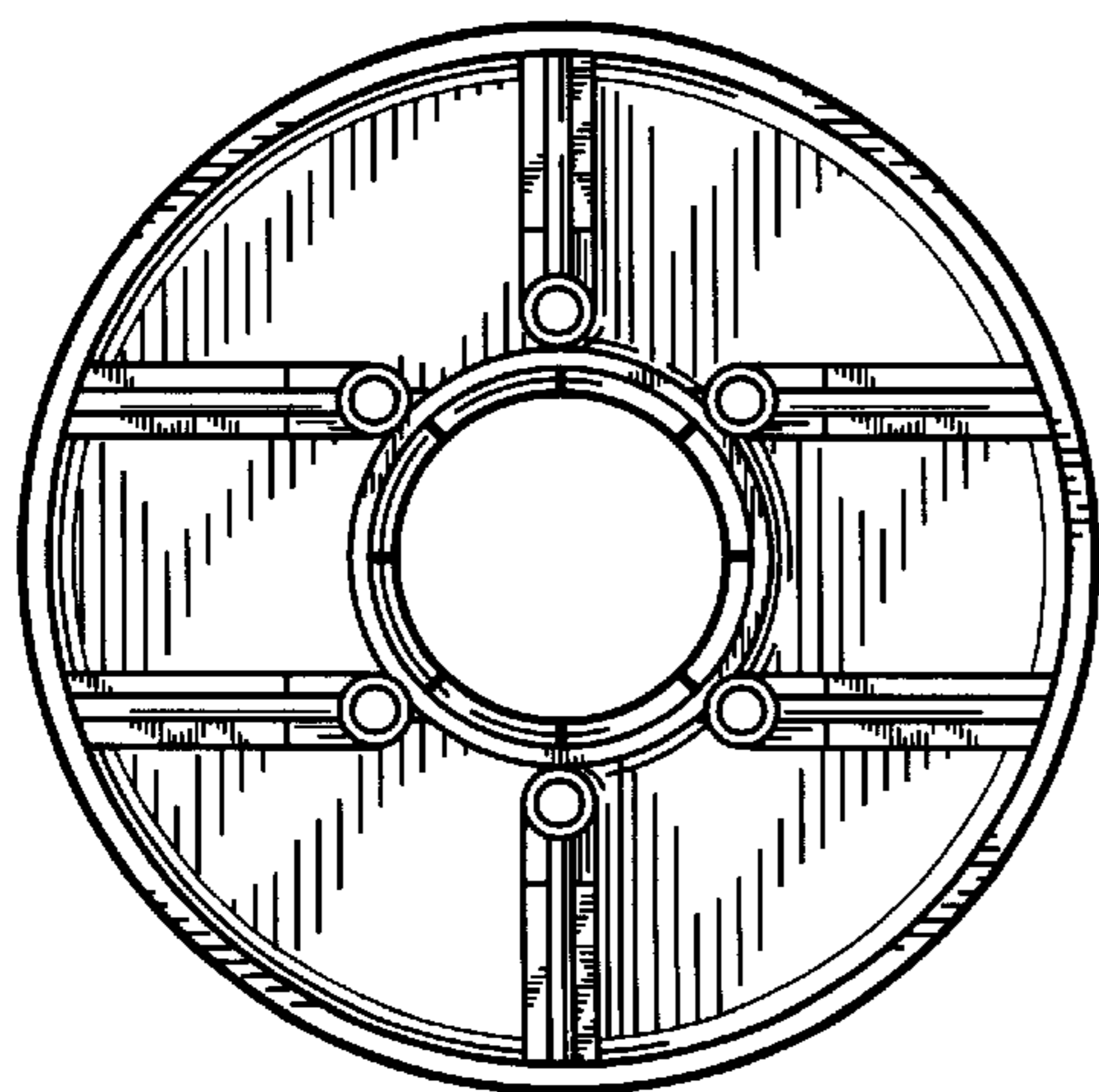


FIG. 5