



US00D406228S

United States Patent [19] Vogels

[11] **Patent Number: Des. 406,228**

[45] **Date of Patent: **Mar. 2, 1999**

[54] **SUPPORTS FOR TV, VIDEO RECORDER,
LOUDSPEAKERS, VIDEO OR AUDIO
APPARATUS**

D. 352,652 11/1994 Vogels D8/363
D. 369,956 5/1996 Vogels D8/363

[75] Inventor: **Henricus Hyacintus Vogels,**
Eindhoven, Netherlands

Primary Examiner—Holly Baynham
Attorney, Agent, or Firm—Ladas & Parry

[73] Assignee: **Vogel's Holding B.V.,** Eindhoven,
Netherlands

[57] **CLAIM**

[**] Term: **14 Years**

The ornamental design for supports for TV, video recorder,
loudspeakers, video or audio apparatus, as shown.

[21] Appl. No.: **56,311**

DESCRIPTION

[22] Filed: **Jun. 26, 1996**

FIG. 1 is a bottom perspective view of an embodiment
showing my new design;

[30] **Foreign Application Priority Data**

Apr. 2, 1996 [XH] Hague Agreement DMA/003276

FIG. 2 is a top perspective view of the embodiment showing
my new design;

[51] **LOC (6) Cl. 08-05**

FIG. 3 is a side view of the embodiment showing my new
design;

[52] **U.S. Cl. D8/363; D14/114**

[58] **Field of Search D14/114; D8/363,
D8/373; 248/670, 220.2, 235, 241, 274,
284, 281.1, 291, 312**

FIG. 4 is a front view of the embodiment showing my new
design; and,

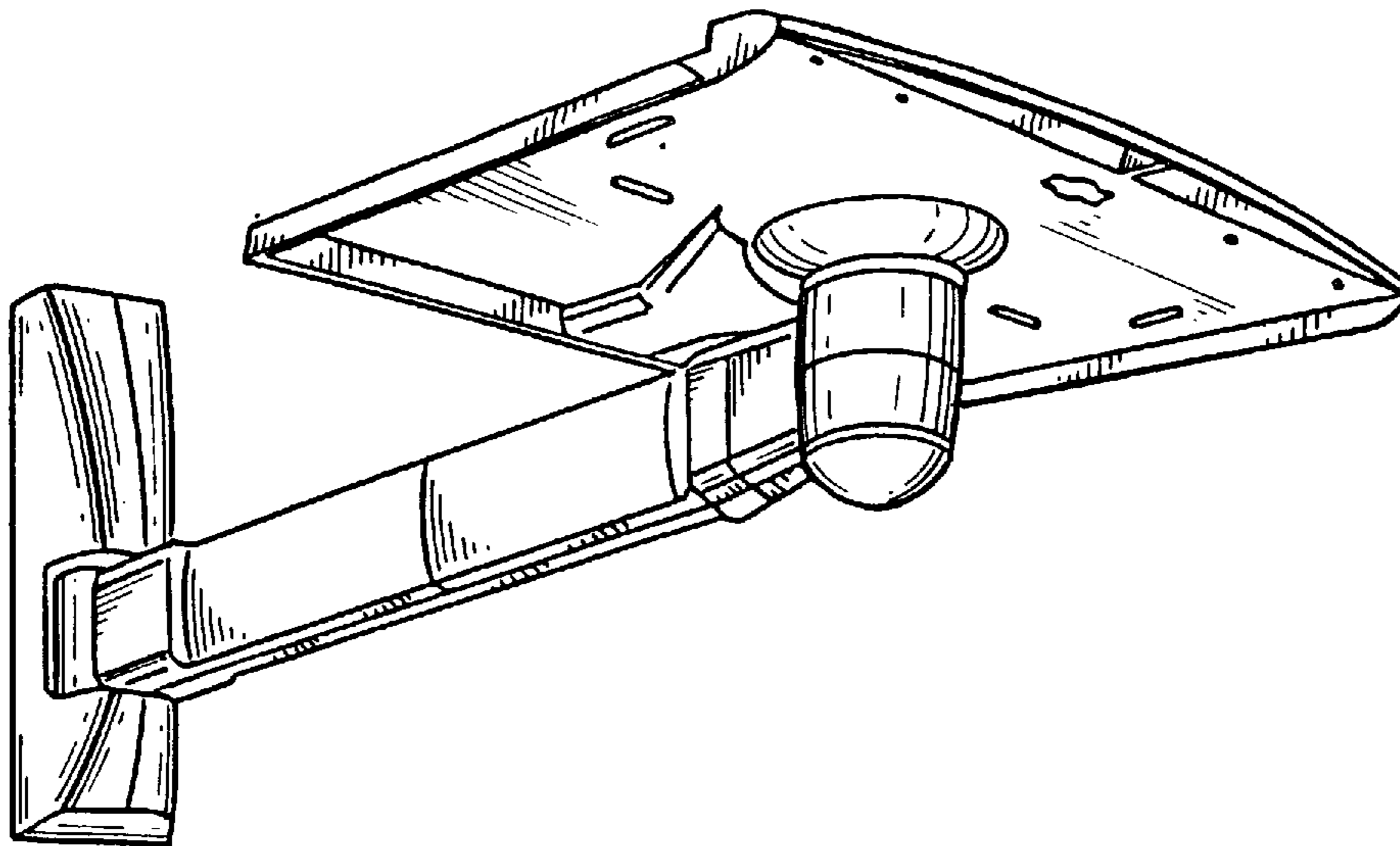
FIG. 5 is a bottom view of the embodiment showing my new
design.

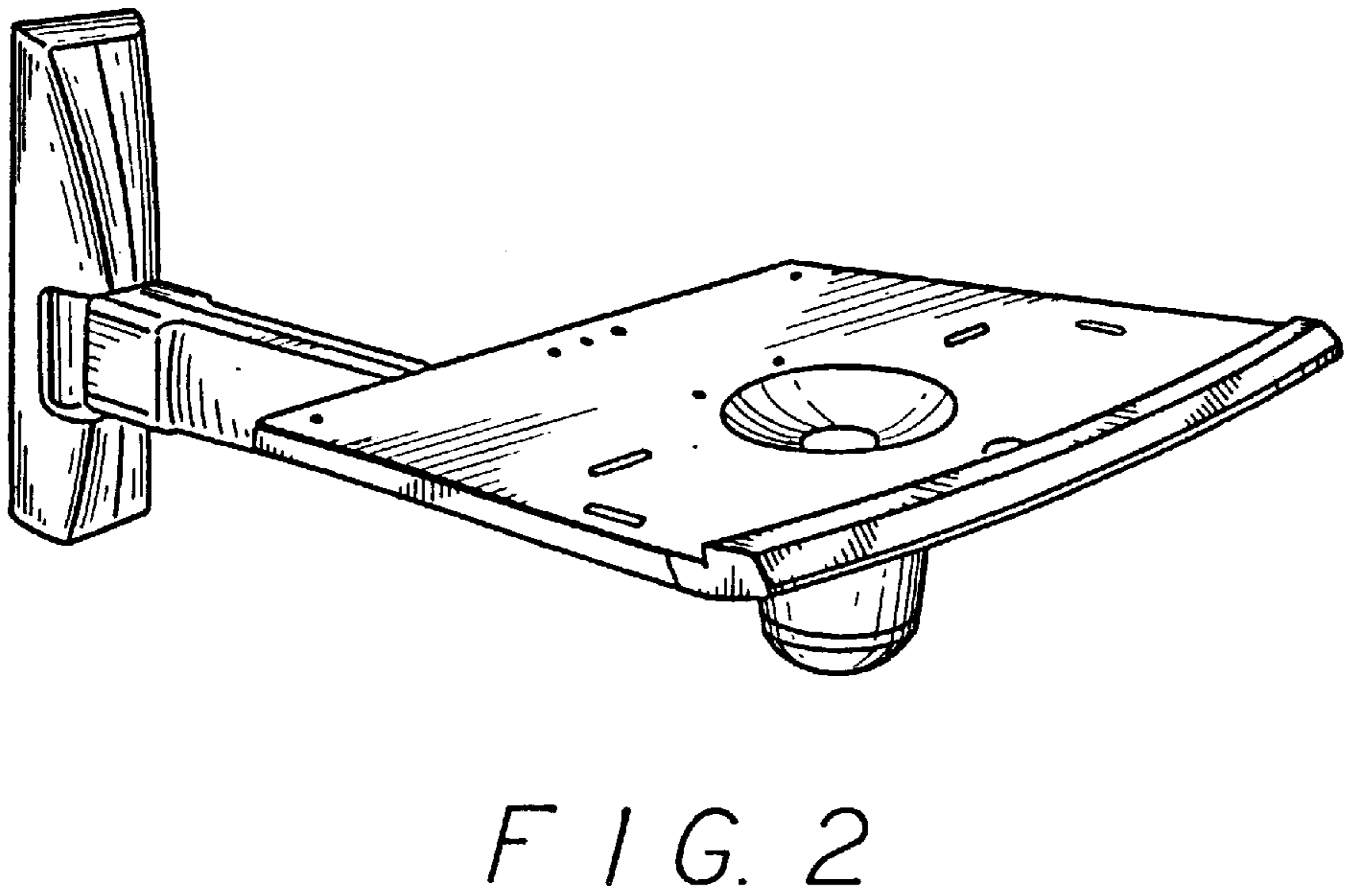
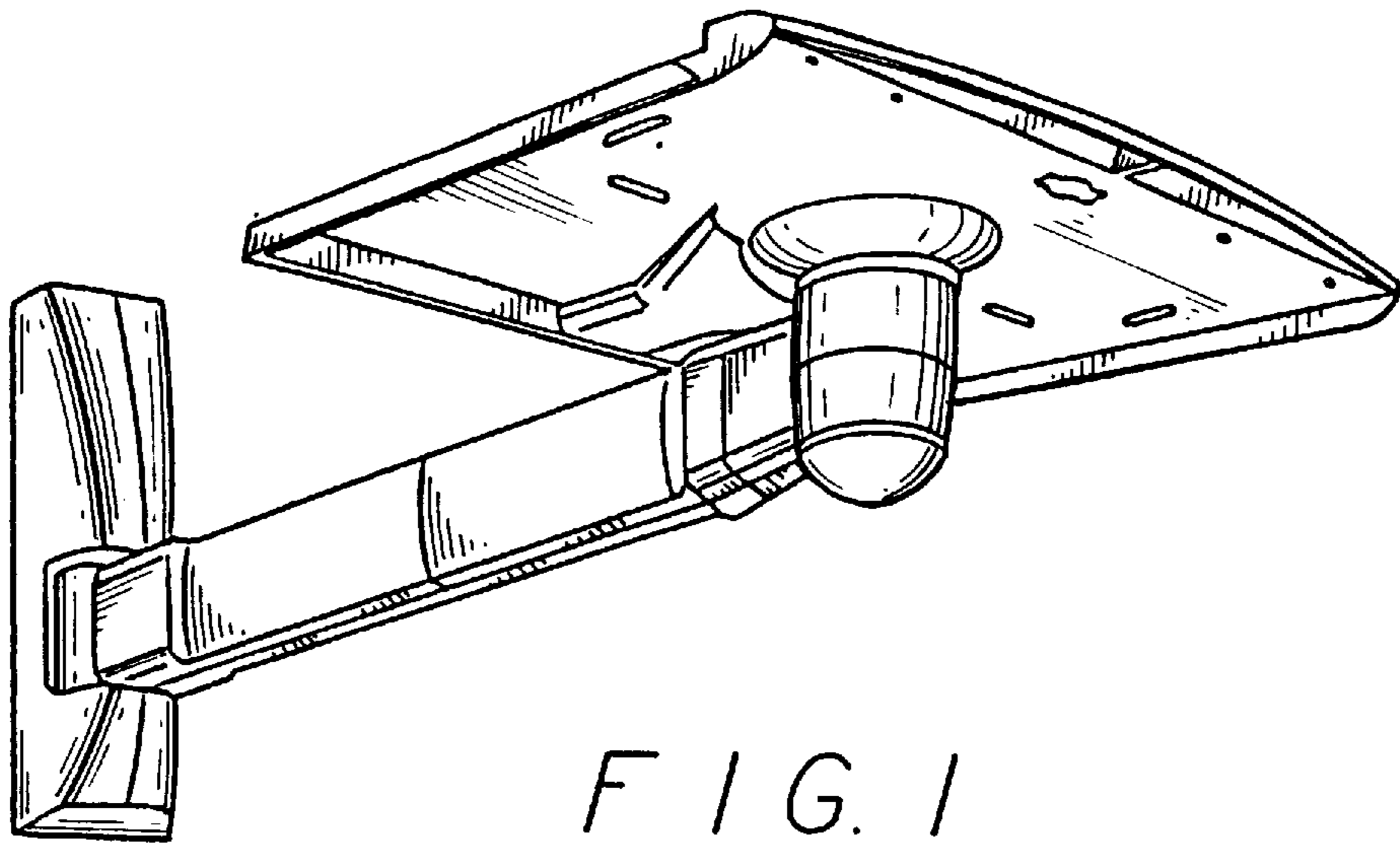
[56] **References Cited**

U.S. PATENT DOCUMENTS

D. 349,640 8/1994 Whitaker D8/363

1 Claim, 4 Drawing Sheets





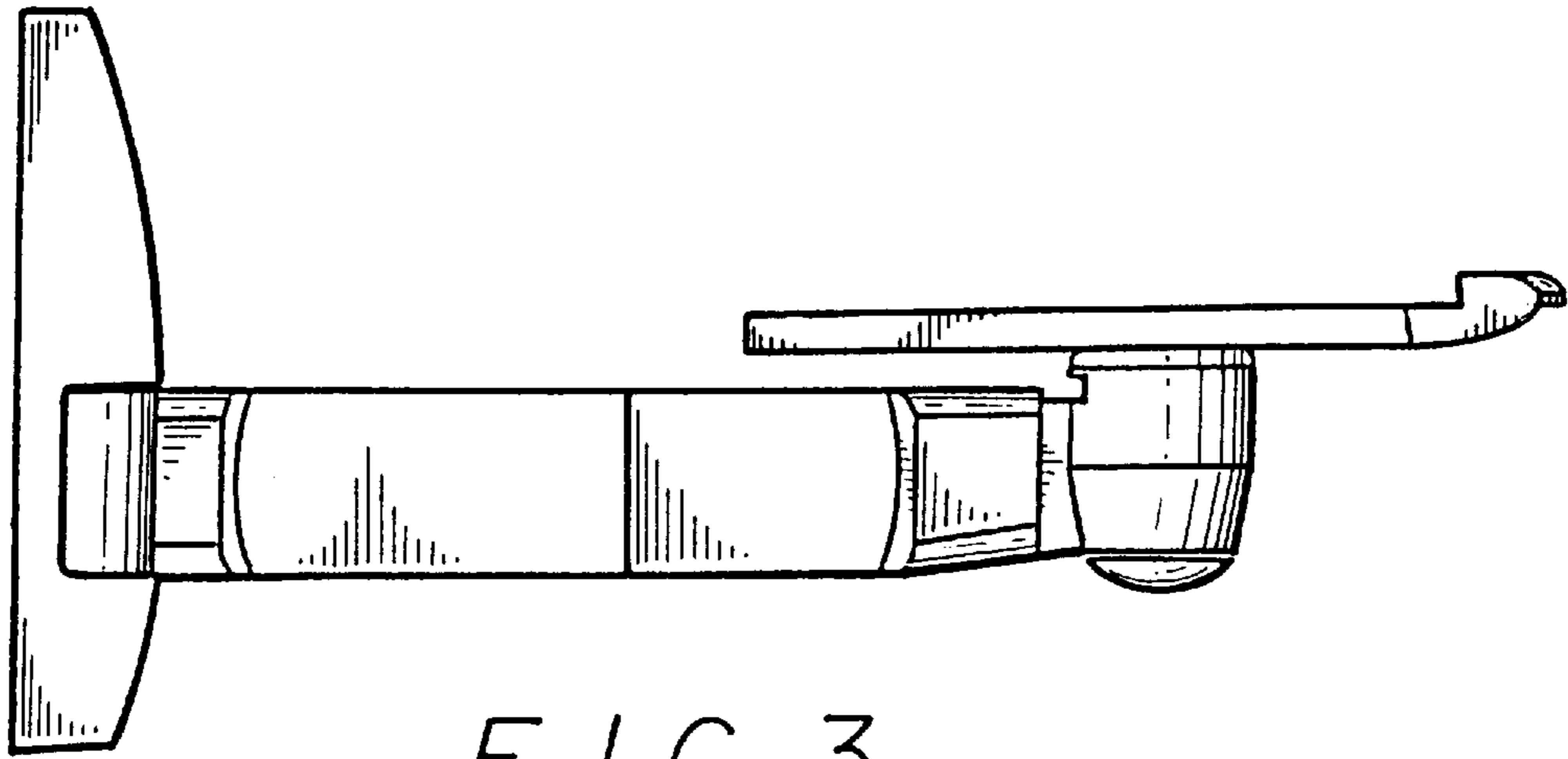


FIG. 3

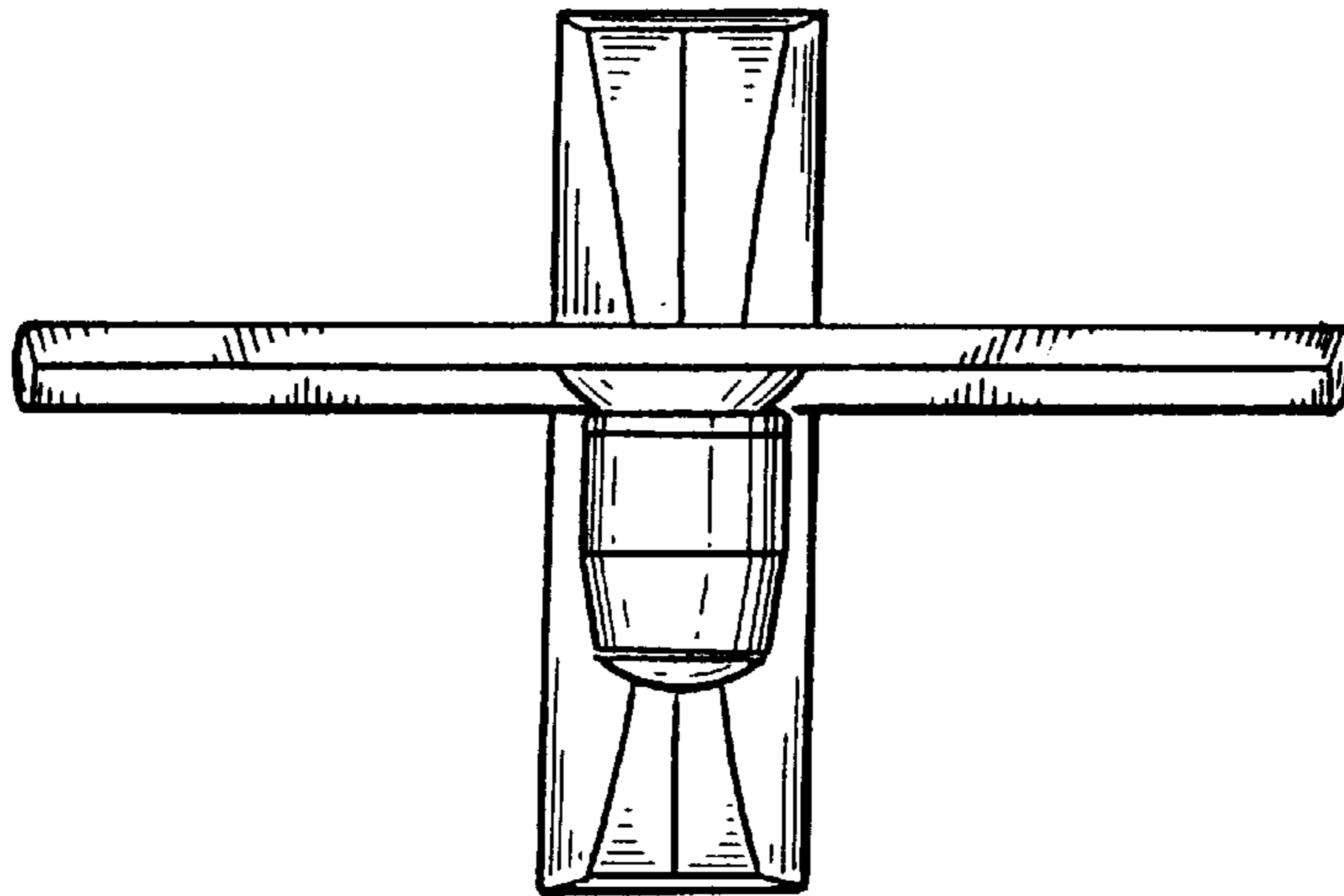


FIG. 4

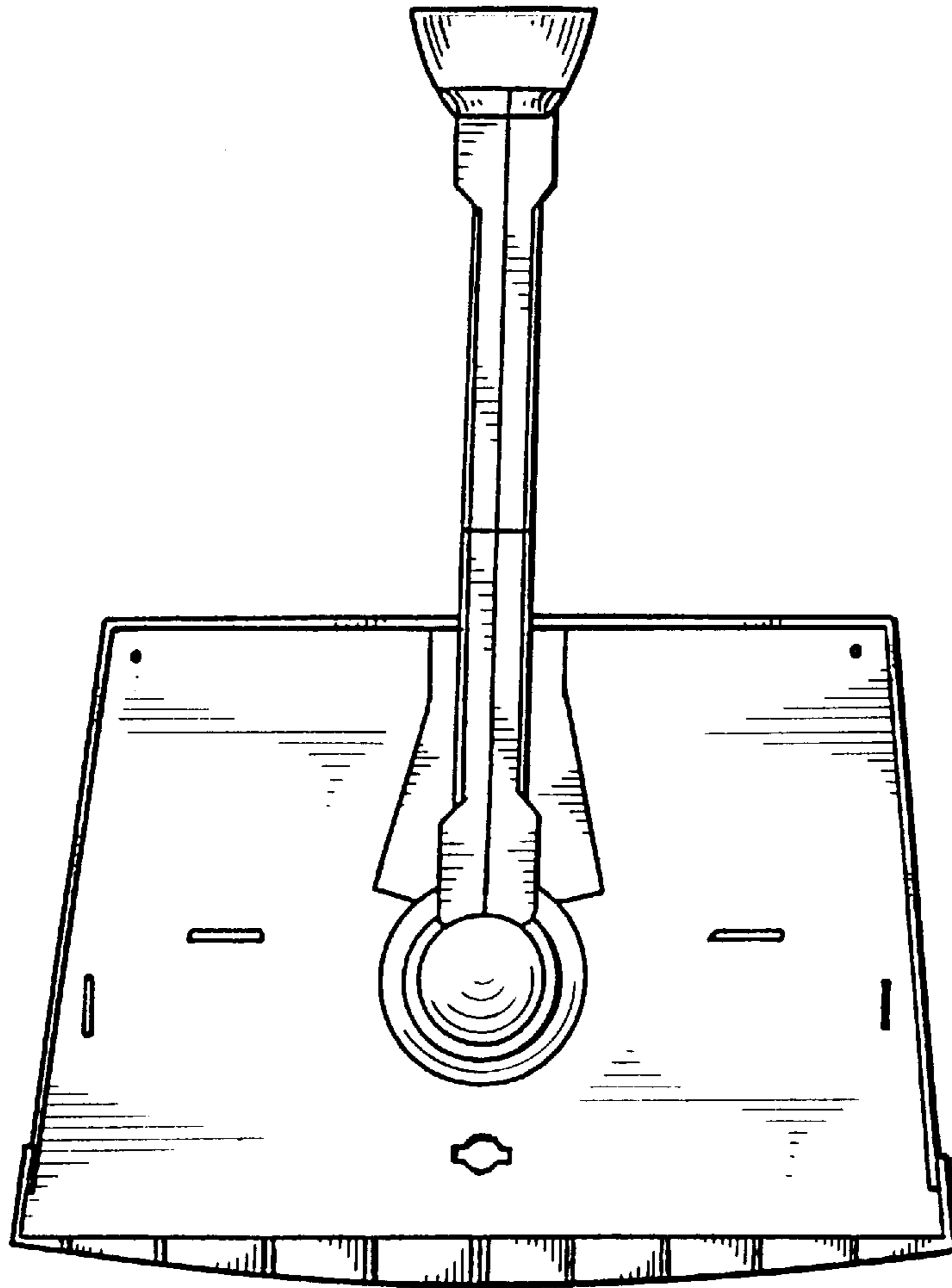


FIG. 5