



US00D406227S

United States Patent [19]
Nakamura

[11] **Patent Number: Des. 406,227**

[45] **Date of Patent: **Mar. 2, 1999**

[54] **TERMINAL WIRE HOLDER**

3,991,960 11/1976 Tanaka 248/68.1

[75] Inventor: **Toshinobu Nakamura**, Tokyo, Japan

Primary Examiner—Holly Baynham
Attorney, Agent, or Firm—Banner & Witcoff, Ltd.

[73] Assignee: **Shinagawa Shoko Co., Ltd.**, Tokyo, Japan

[**] Term: **14 Years**

[57] **CLAIM**

The ornamental design for a terminal wire holder, as shown and described.

[21] Appl. No.: **83,228**

[22] Filed: **Feb. 5, 1998**

DESCRIPTION

[30] **Foreign Application Priority Data**

Oct. 17, 1997 [JP] Japan 9-71584

FIG. 1 is a perspective view from above of a terminal wire holder embodying the present design;

FIG. 2 is a perspective view thereof from bottom;

FIG. 3 is a front view thereof;

FIG. 4 is a rear view thereof;

FIG. 5 is a top plan view thereof;

FIG. 6 is a bottom view thereof; and,

FIG. 7 is a right side view thereof, the left side view being a mirror image of the right side view.

[51] **LOC (6) Cl.** **08-05**

[52] **U.S. Cl.** **D8/356; D8/395**

[58] **Field of Search** D8/356, 395; 248/68.1, 248/74.1, 74.4, 56; 24/16 PB; 174/153 G

[56] **References Cited**

U.S. PATENT DOCUMENTS

D. 326,407 5/1992 Ito D8/395

1 Claim, 2 Drawing Sheets

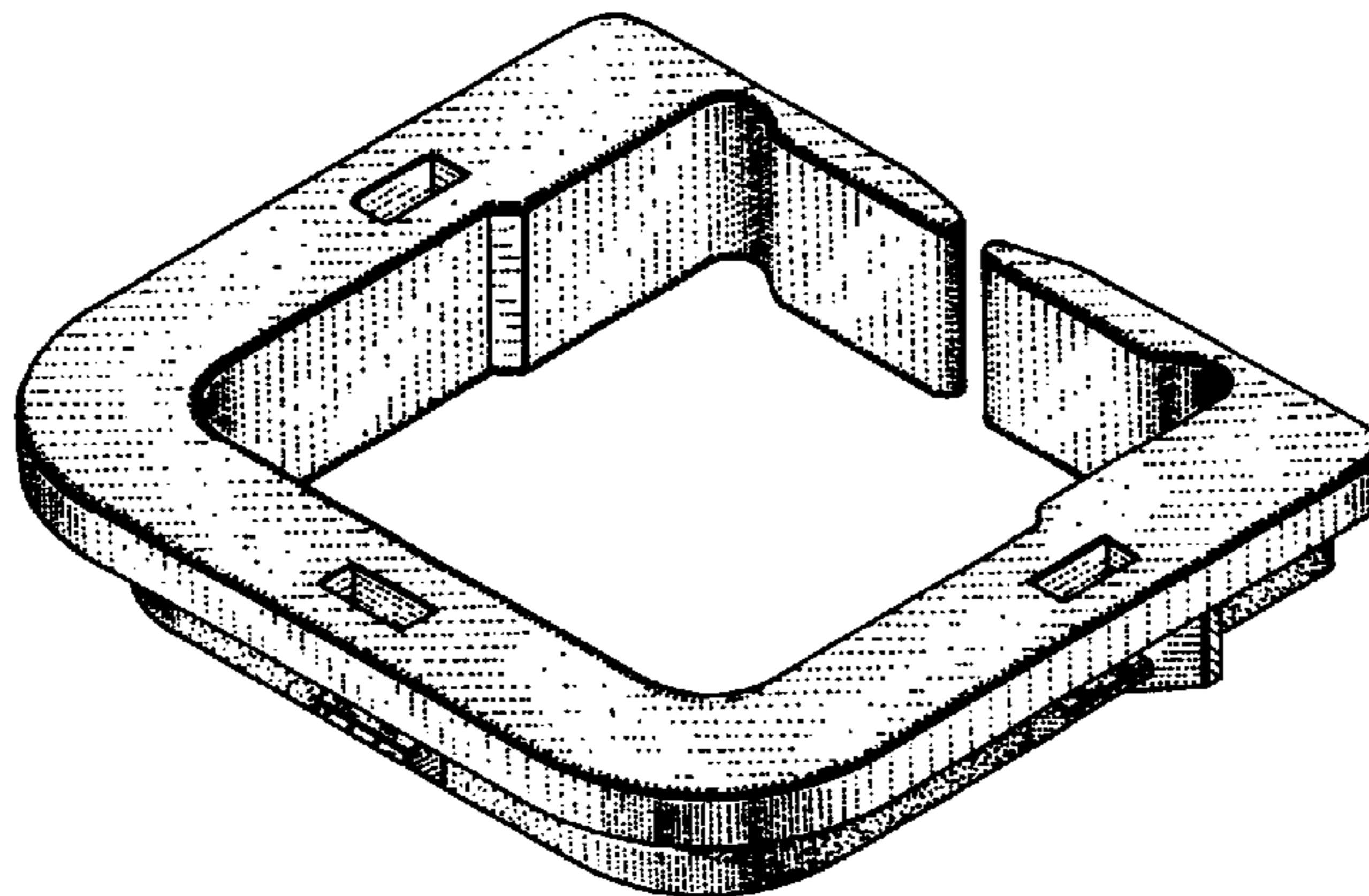


FIG. 1

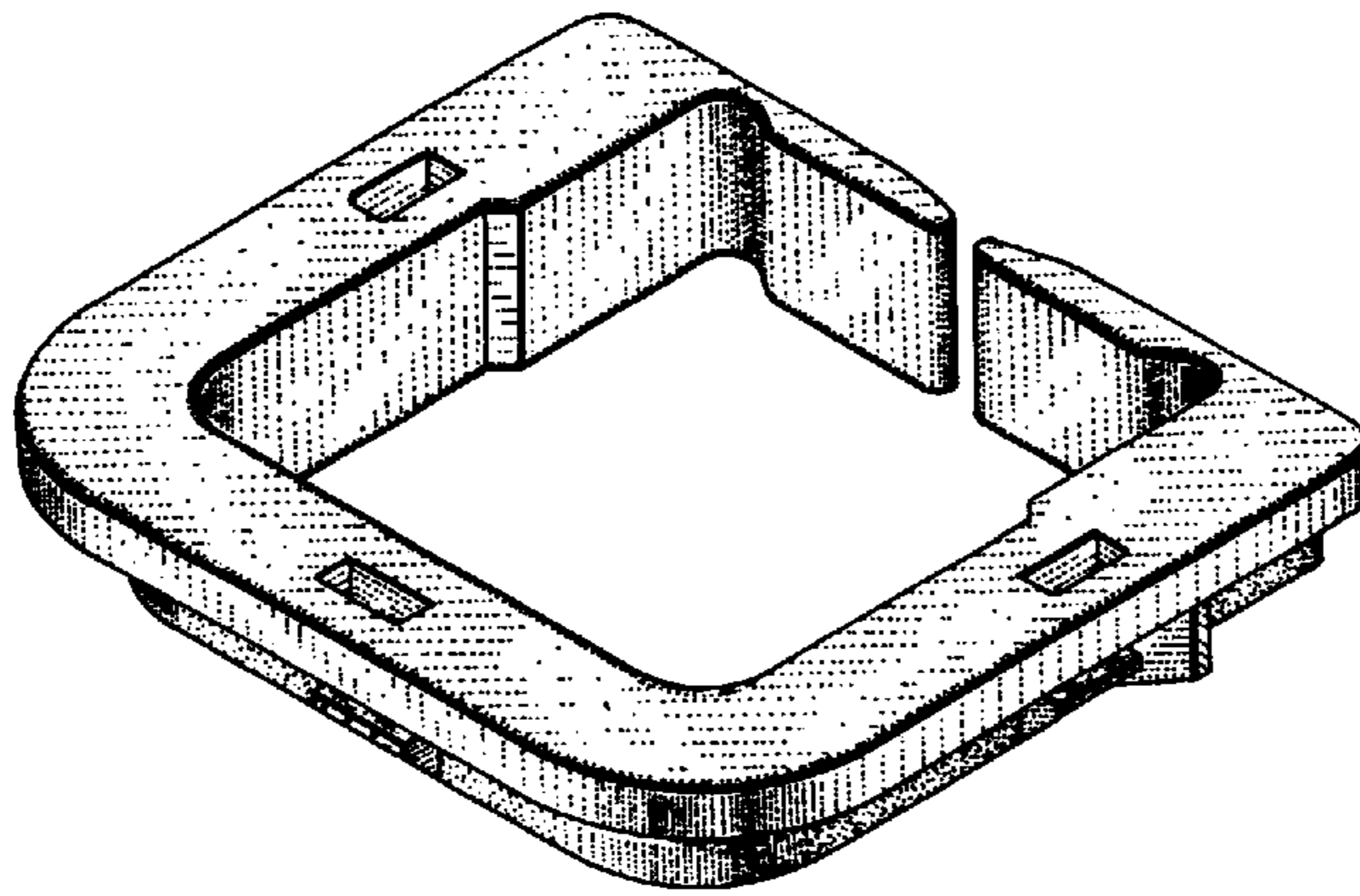


FIG. 2

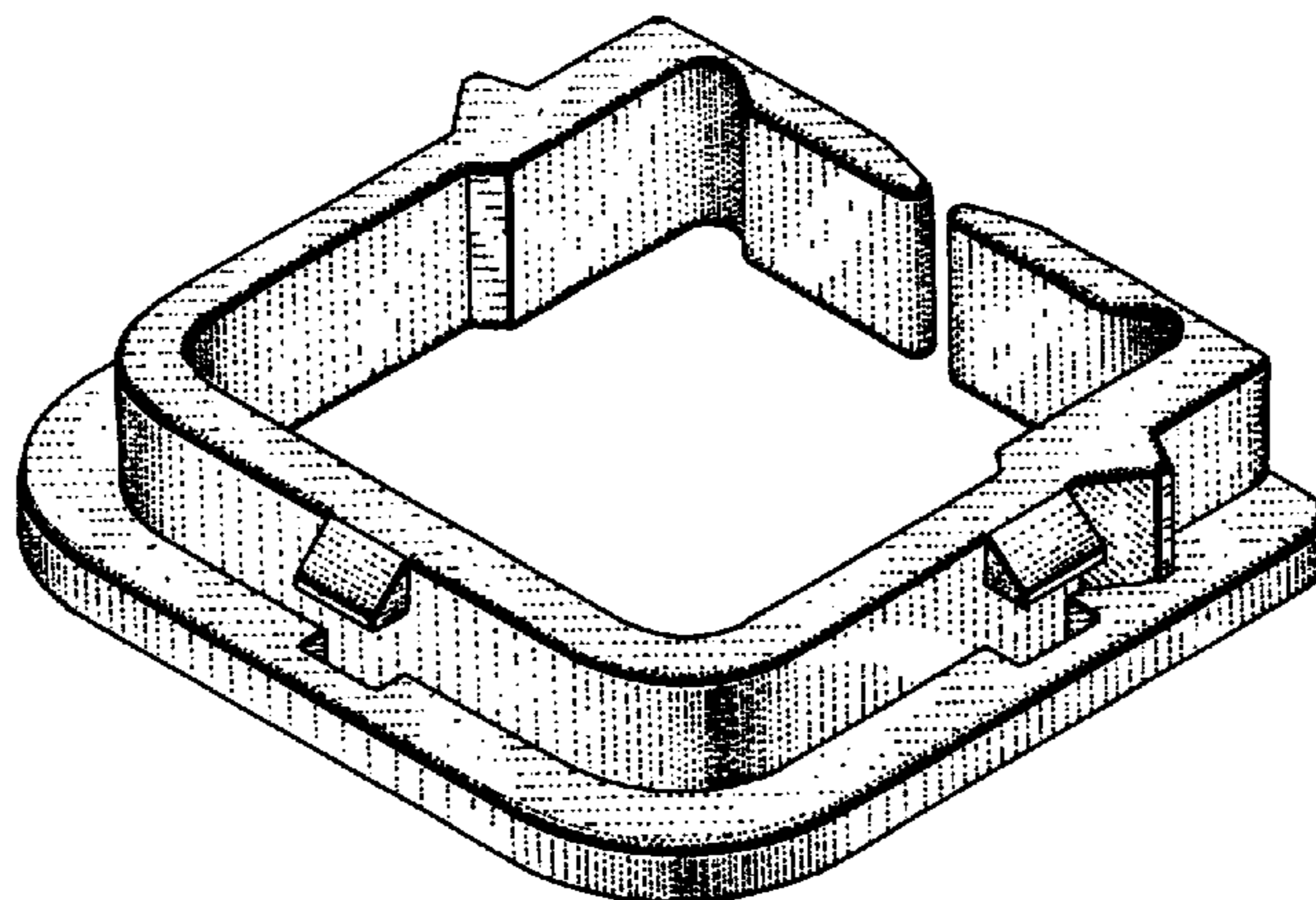


FIG. 3

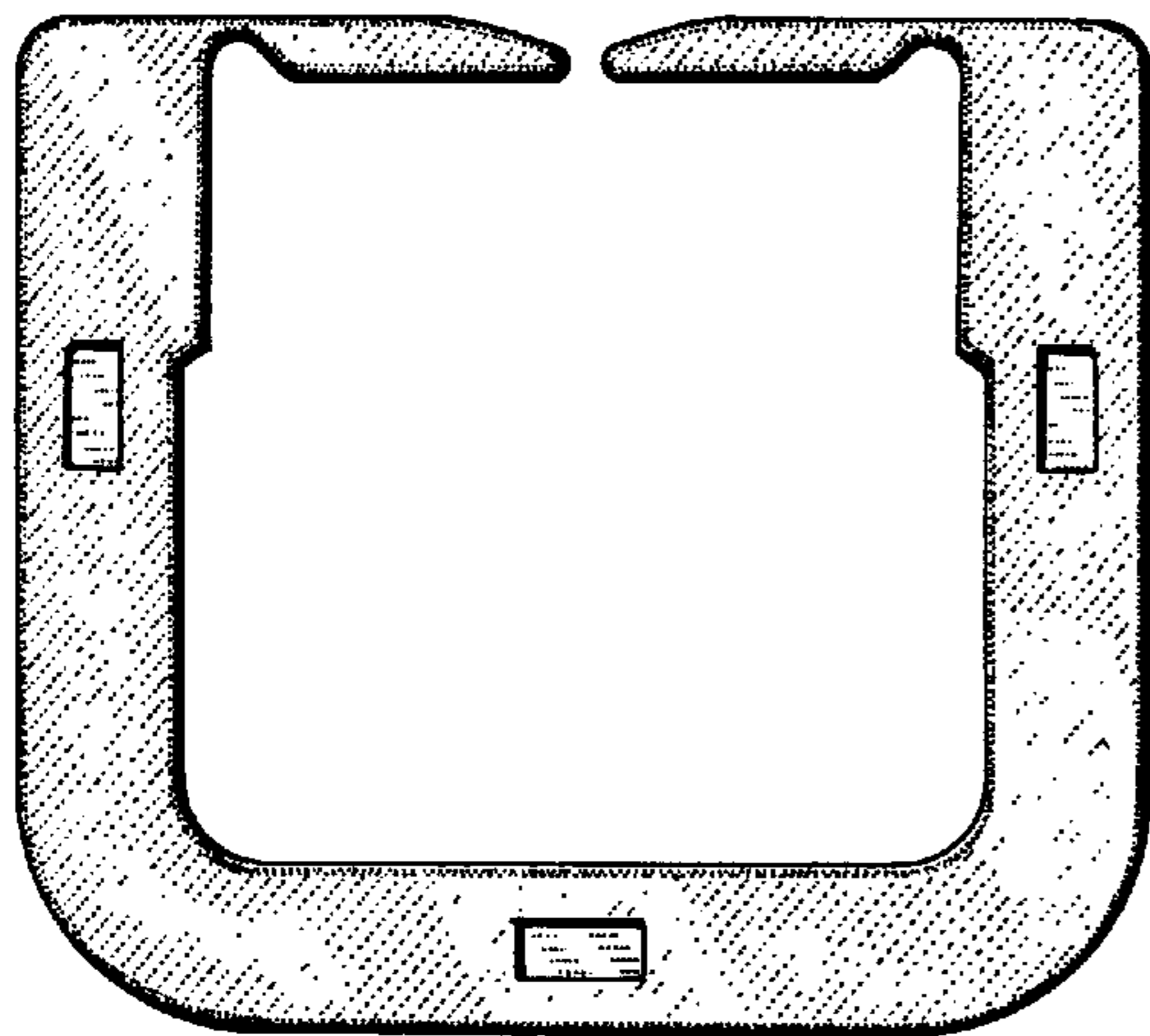


FIG. 4

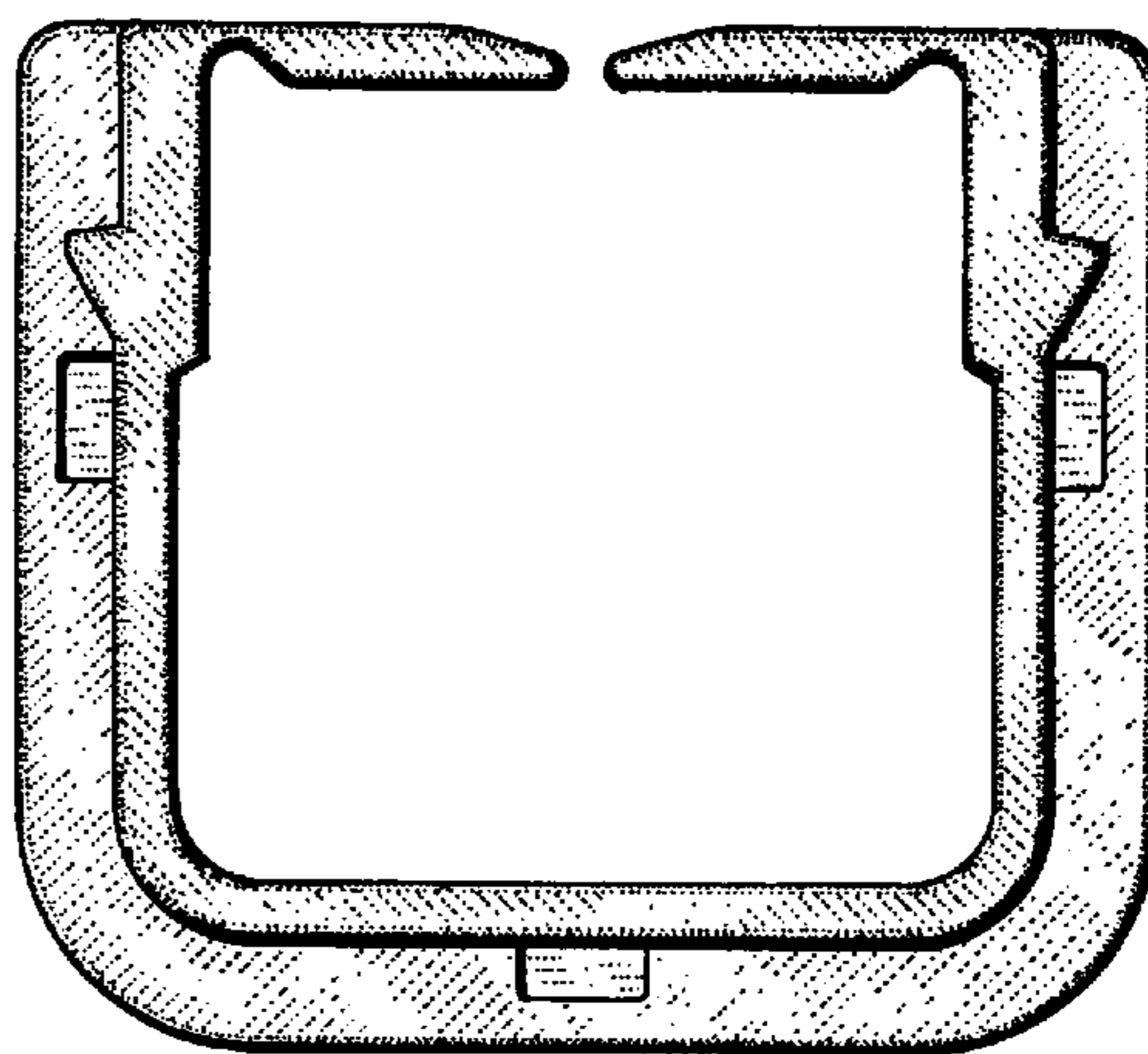


FIG. 5

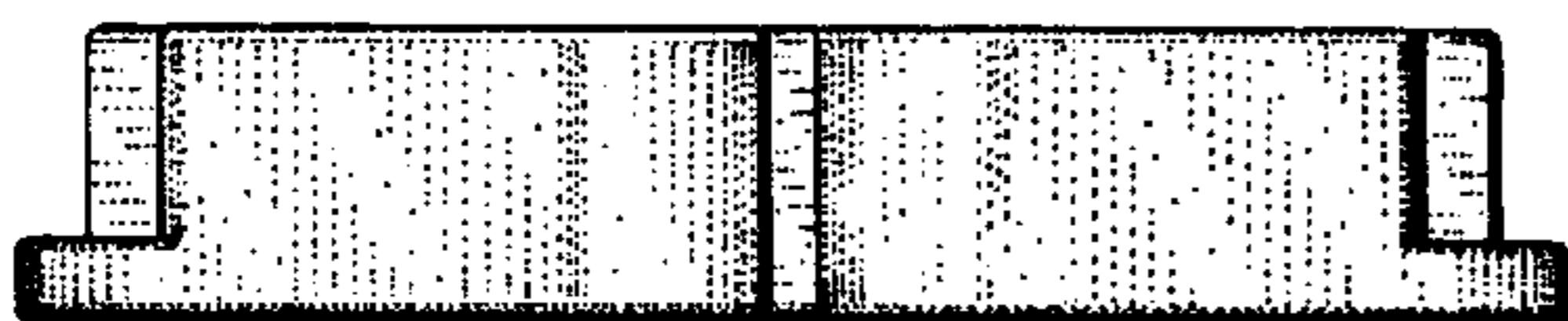


FIG. 6



FIG. 7

