



US00D406226S

United States Patent [19] Larson

[11] **Patent Number: Des. 406,226**

[45] **Date of Patent: **Mar. 2, 1999**

[54] **PANEL SPACER**

[76] Inventor: **Jerry B. Larson**, 670 N. Apache Dr.,
Chandler, Ariz. 85224

[**] Term: **14 Years**

[21] Appl. No.: **73,499**

[22] Filed: **Jul. 14, 1997**

[51] **LOC (6) Cl. 08-05**

[52] **U.S. Cl. D8/354**

[58] **Field of Search** D8/354, 382; D25/122,
D25/121; 403/174, 205; 52/586.2, 573.1,
588.1, 580, 585.1, 508; D6/495, 492

[56] **References Cited**

U.S. PATENT DOCUMENTS

D. 376,458	12/1996	Hirano et al.	D25/122
2,235,646	3/1941	Schaffer .	
2,681,483	6/1954	Morawetz .	
2,814,666	11/1957	Maddox	174/110 R
3,355,795	12/1967	Clark	D25/122
3,884,002	5/1975	Logie .	
4,196,554	4/1980	Anderson et al. .	
4,474,493	10/1984	Welch .	
4,580,767	4/1986	Zimmerman	D13/153 X
5,317,853	6/1994	Lopes .	
5,367,851	11/1994	Larson .	

FOREIGN PATENT DOCUMENTS

2733311 8/1979 Germany .

OTHER PUBLICATIONS

Space Ball flier (undated).
Photocopy of Higby Spacer, (undated) manufacturer by
Highy Gaskets and Sealing Products, Inc. 4083 New Court
Ave., Syracuse, NY 13206.
Photocopy of a sample of tubular spacer (undated) Jerry B.
Larson and Associates, 670 No. Apache Drive, Chandler,
Arizona 85224.

Primary Examiner—Holly Baynham

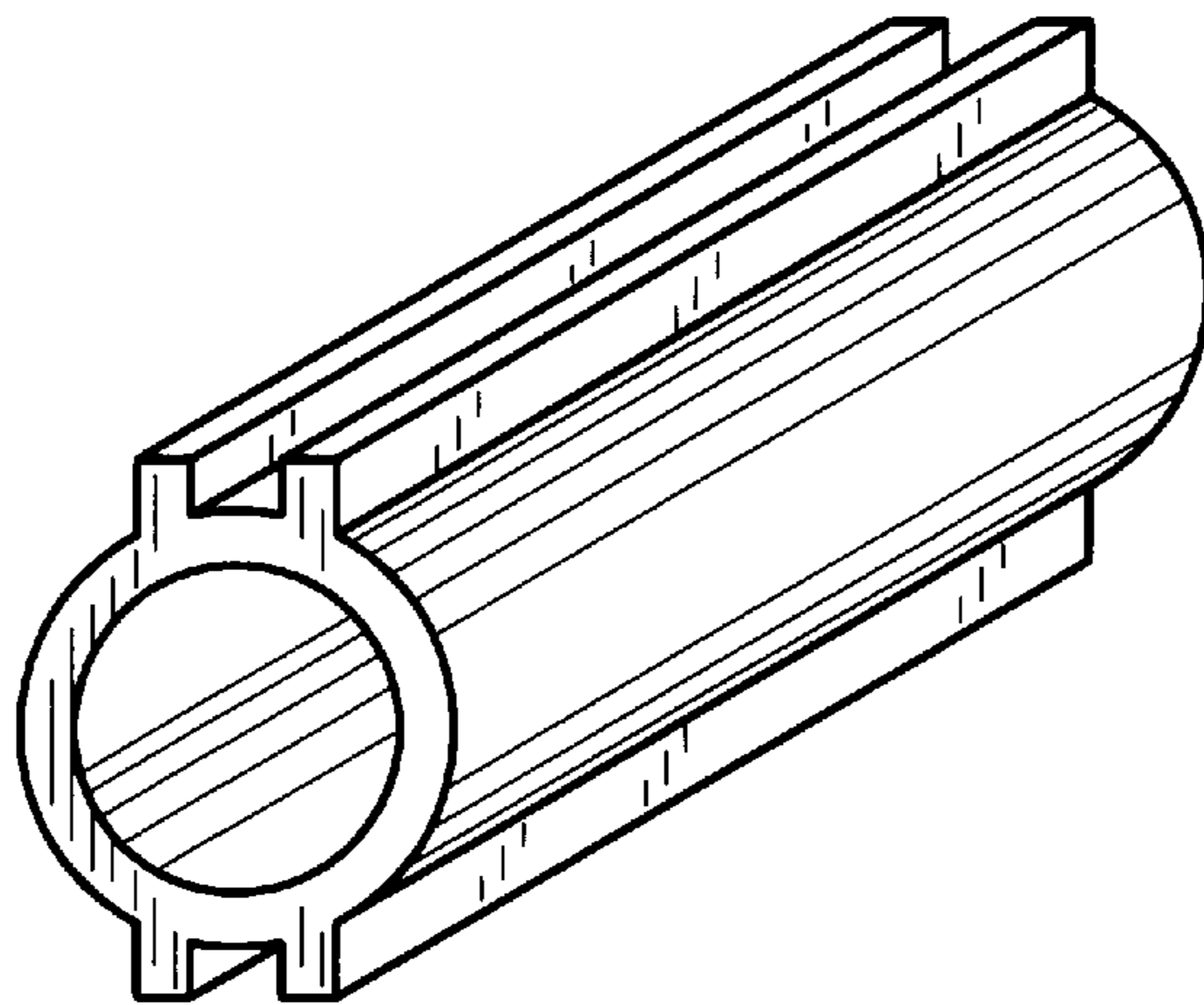
[57] **CLAIM**

The ornamental design for a panel spacer, as shown and
described.

DESCRIPTION

FIG. 1 is a front, top perspective view of a panel spacer
embodying my design;
FIG. 2 is a top plan view of the panel spacer as shown in
FIG. 1; and,
FIG. 3 is a front end view of the panel spacer as shown in
FIG. 1;

1 Claim, 1 Drawing Sheet



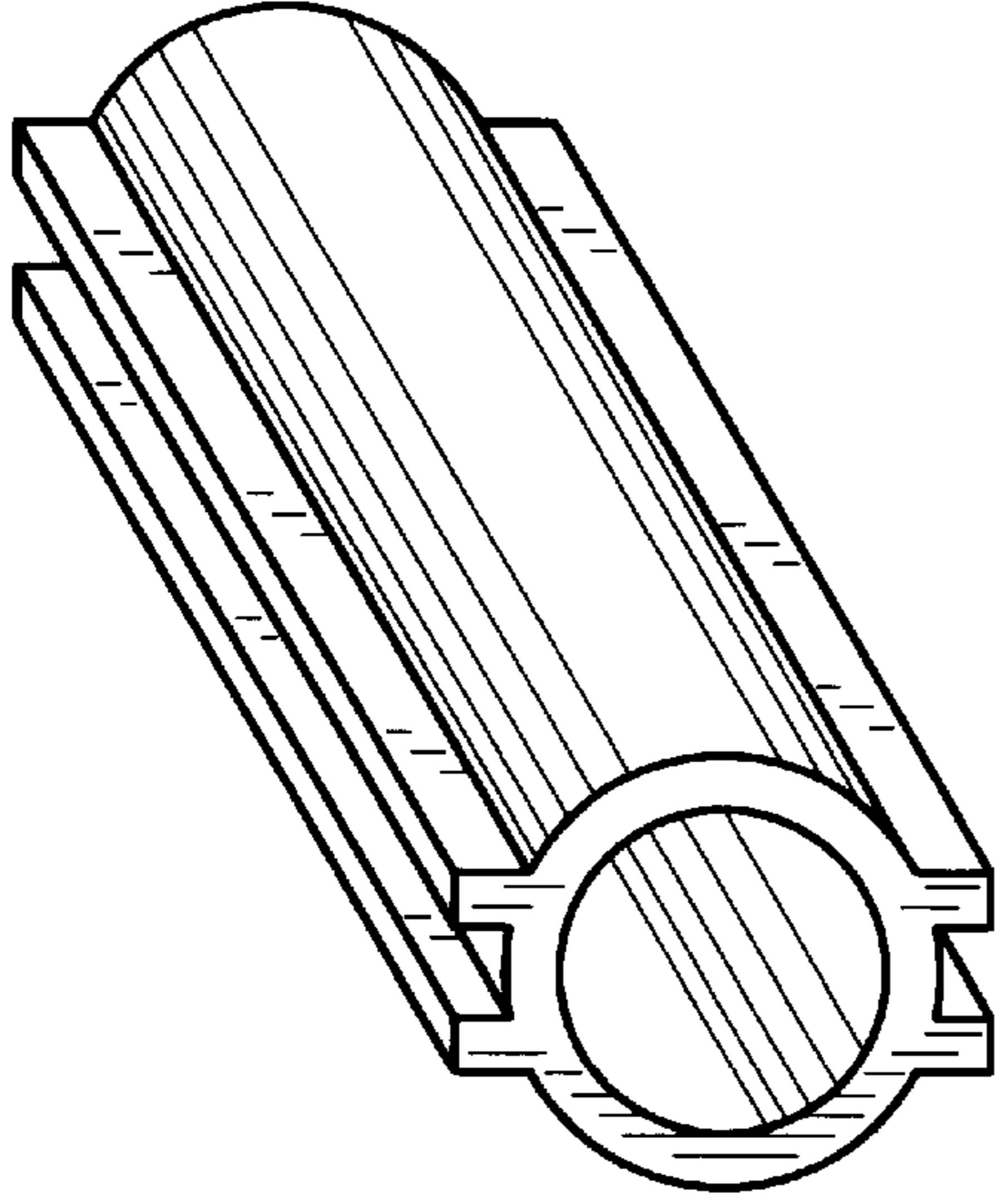


FIG. 1

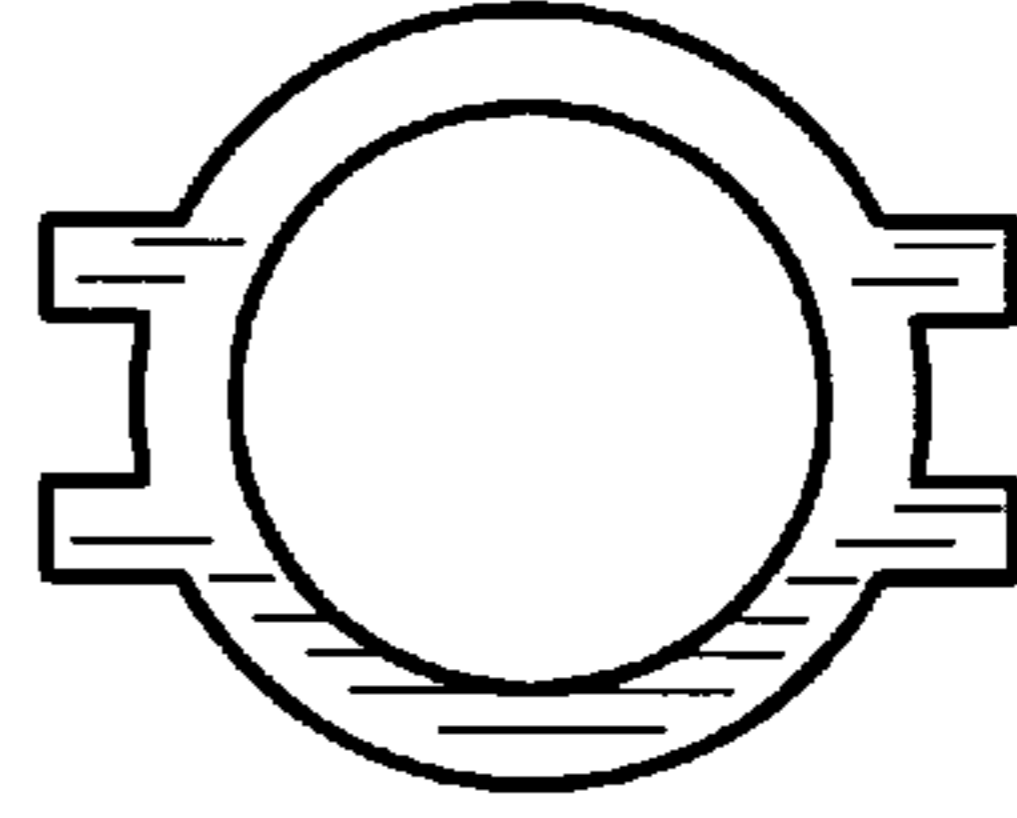


FIG. 3

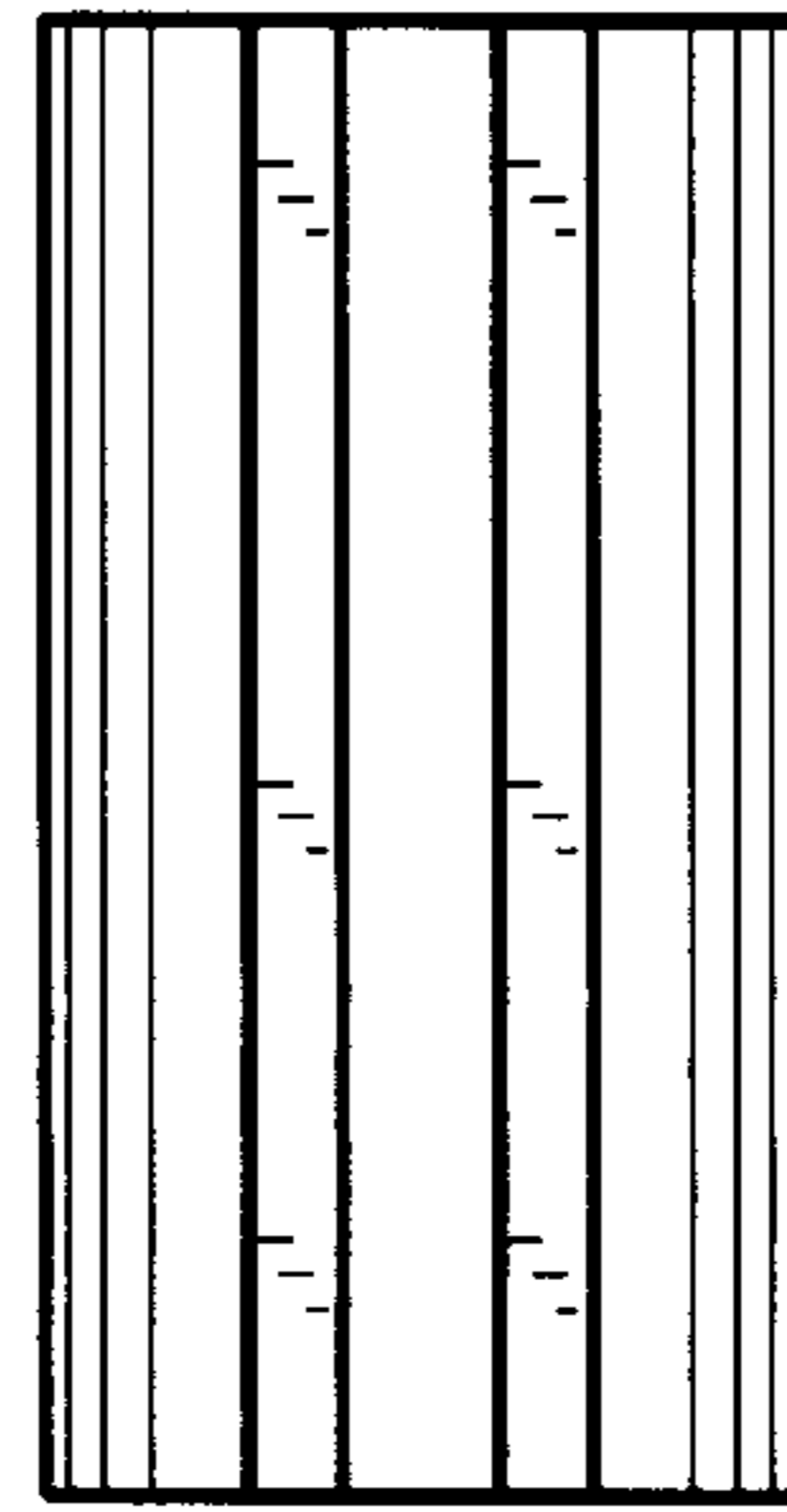


FIG. 2