



US00D406222S

United States Patent [19]
Wong

[11] **Patent Number: Des. 406,222**

[45] **Date of Patent: **Mar. 2, 1999**

[54] **CAN OPENER**

[75] Inventor: **Kai On Wong**, Hong Kong, Hong Kong

[73] Assignee: **Hung Sang Metal Plasticfactory Ltd.**,
New Territories, Hong Kong

[**] Term: **14 Years**

[21] Appl. No.: **78,467**

[22] Filed: **Oct. 27, 1997**

[51] **LOC (6) Cl.** **07-99**

[52] **U.S. Cl.** **D8/40; D8/39**

[58] **Field of Search** D8/18, 19, 33-43;
30/400-420; 81/3.07; 7/151-156

[56] **References Cited**

U.S. PATENT DOCUMENTS

D. 326,039 5/1992 Viemeister D8/33

Primary Examiner—Caron D. Veynar
Attorney, Agent, or Firm—Leydig, Voit & Mayer

[57] **CLAIM**

The ornamental design for a can opener, as shown and described.

DESCRIPTION

FIG. 1 is a front end, right side and top perspective view of a can opener showing my new design;

FIG. 2 is a right side elevational view thereof;

FIG. 3 is a left side elevational view thereof;

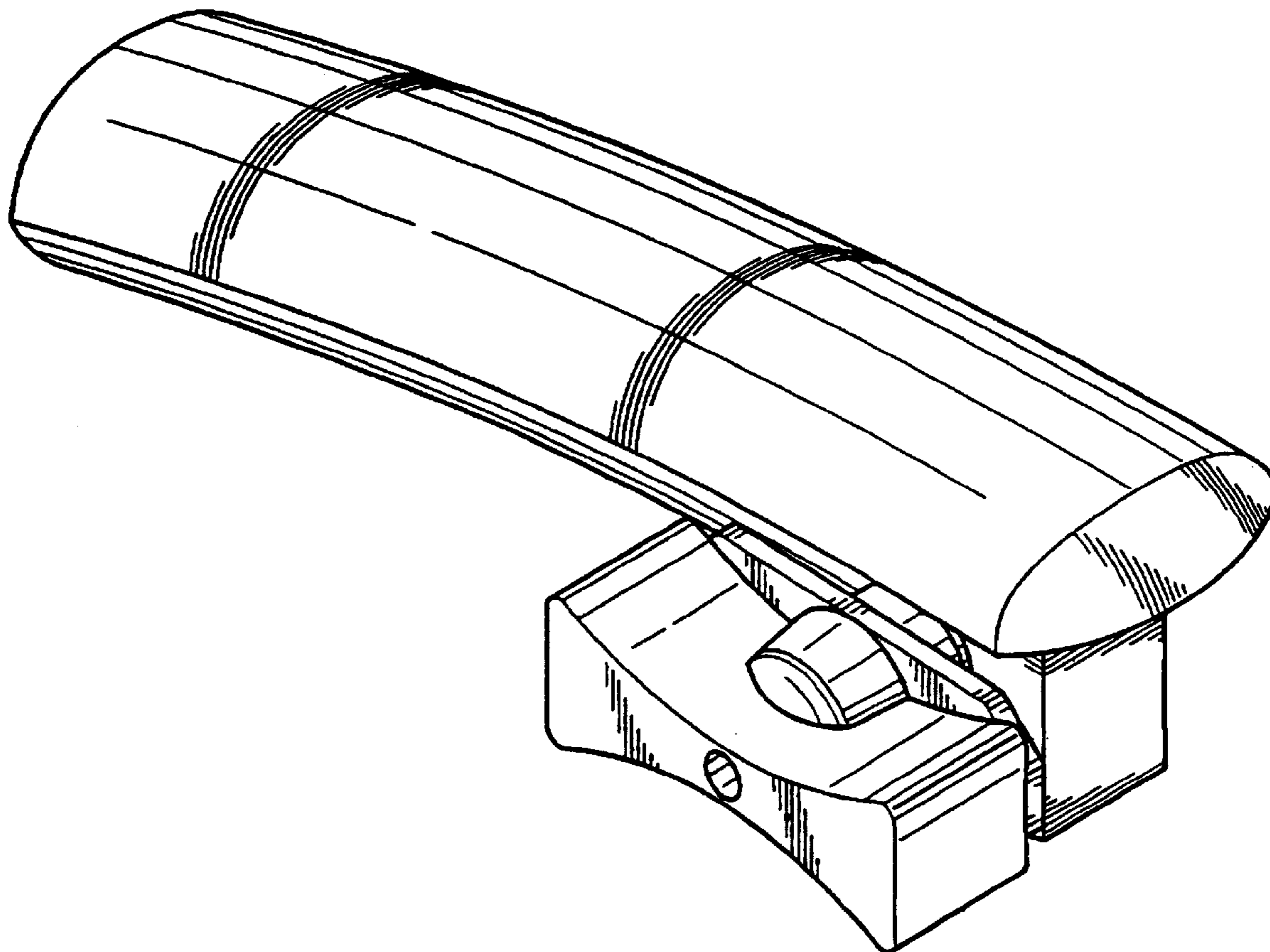
FIG. 4 is a top plan view thereof;

FIG. 5 is a bottom plan view thereof;

FIG. 6 is a front end elevational view thereof; and,

FIG. 7 is a rear end elevational view thereof.

1 Claim, 5 Drawing Sheets



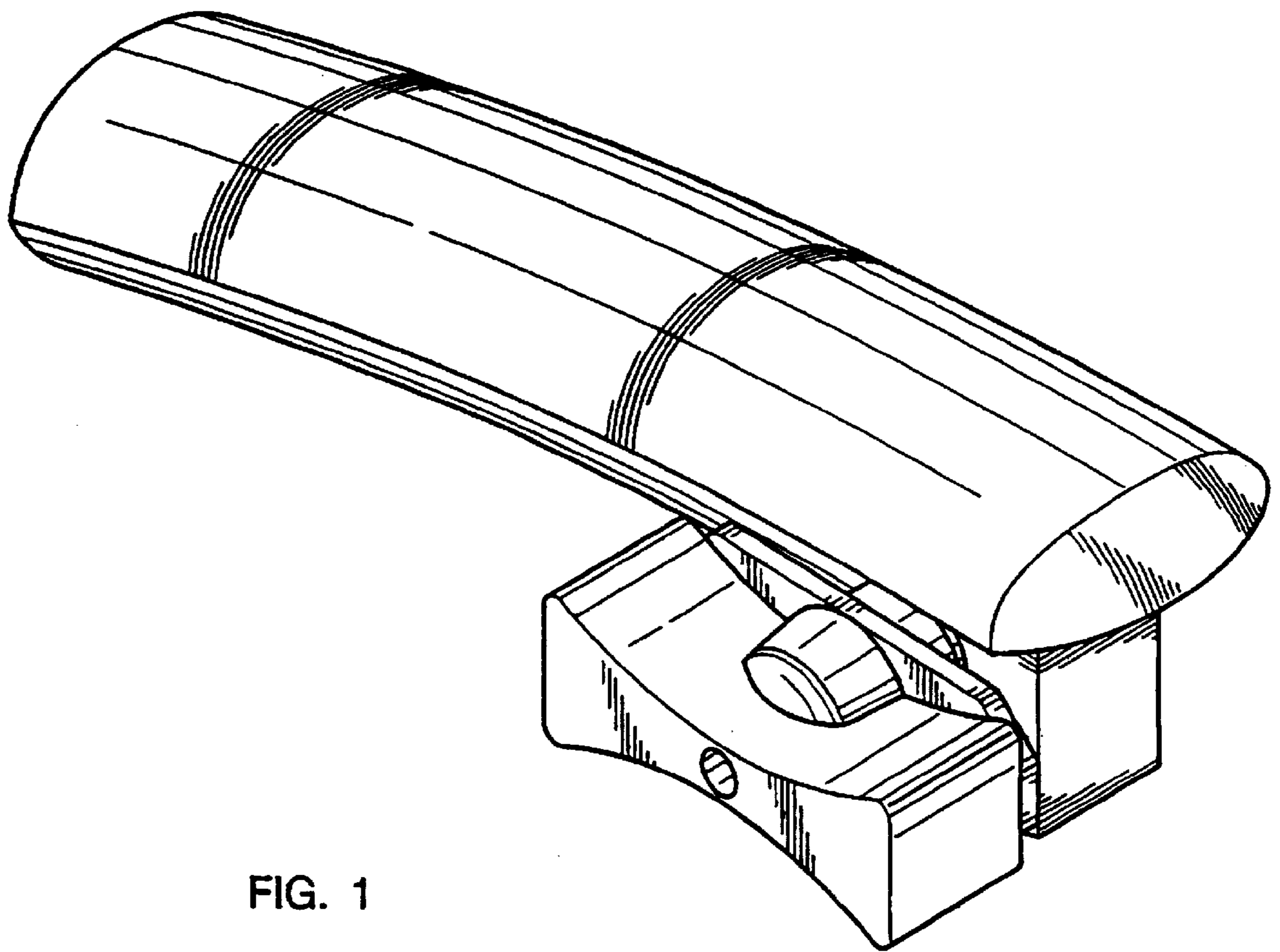


FIG. 1

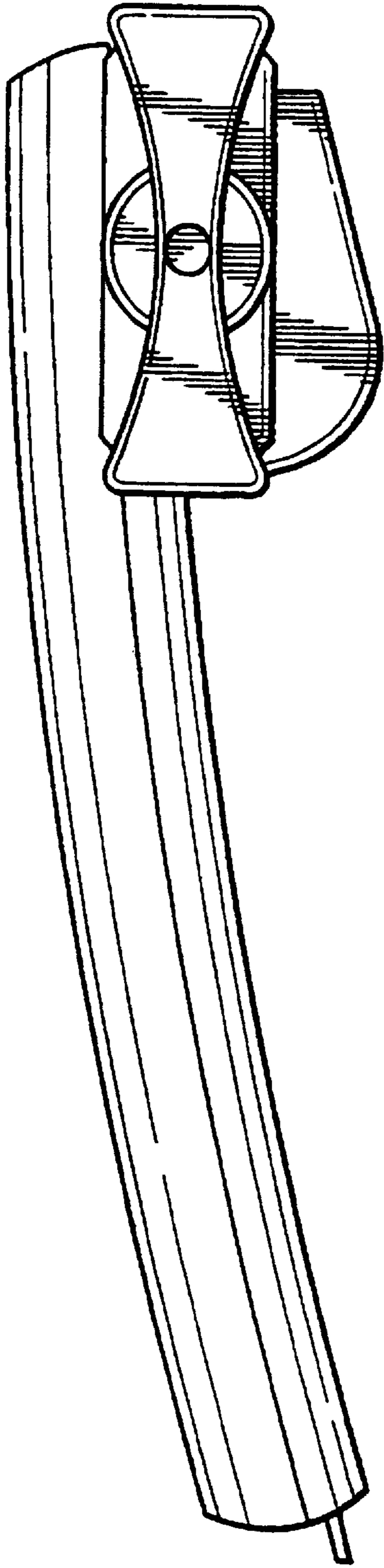


FIG. 2

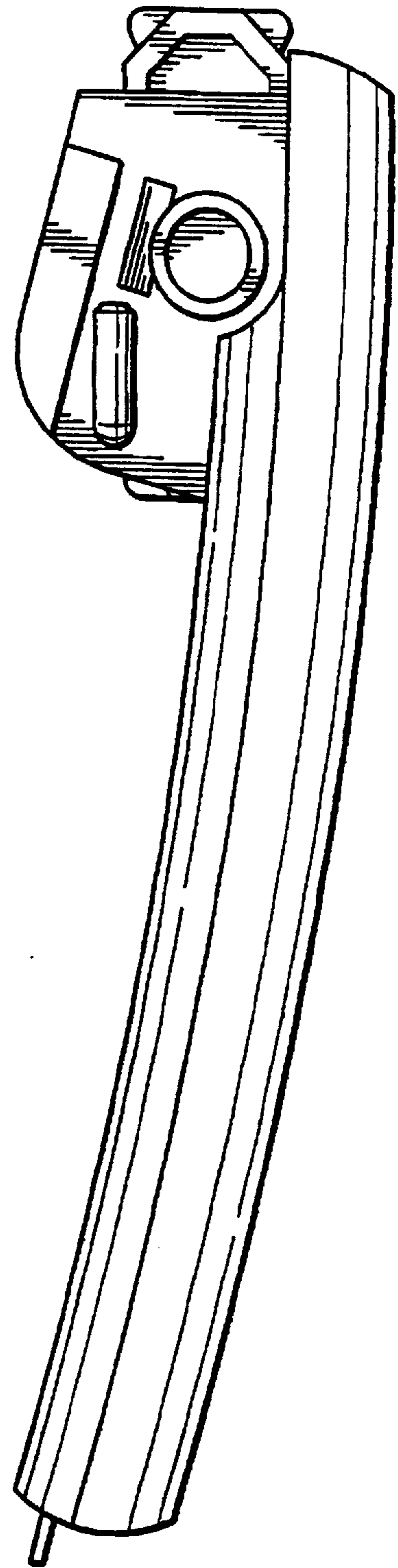


FIG. 3

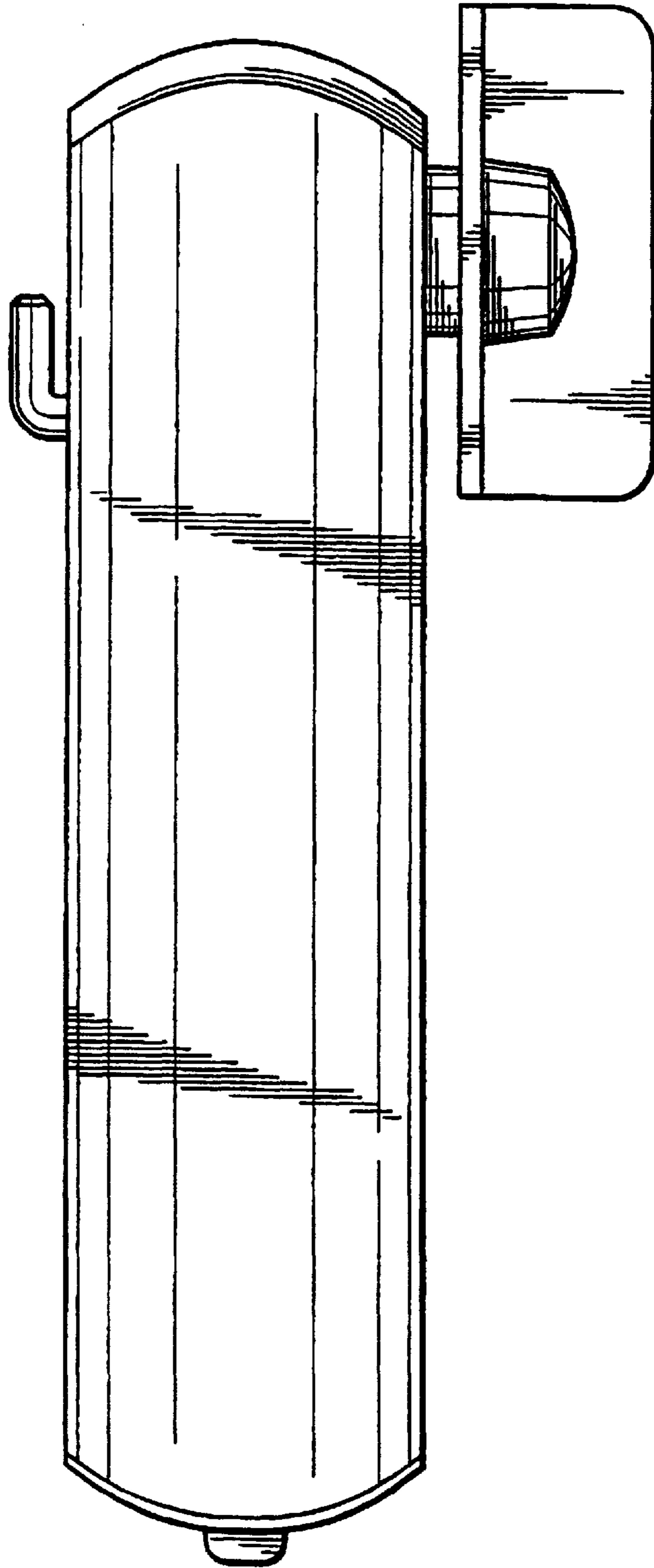


FIG. 4

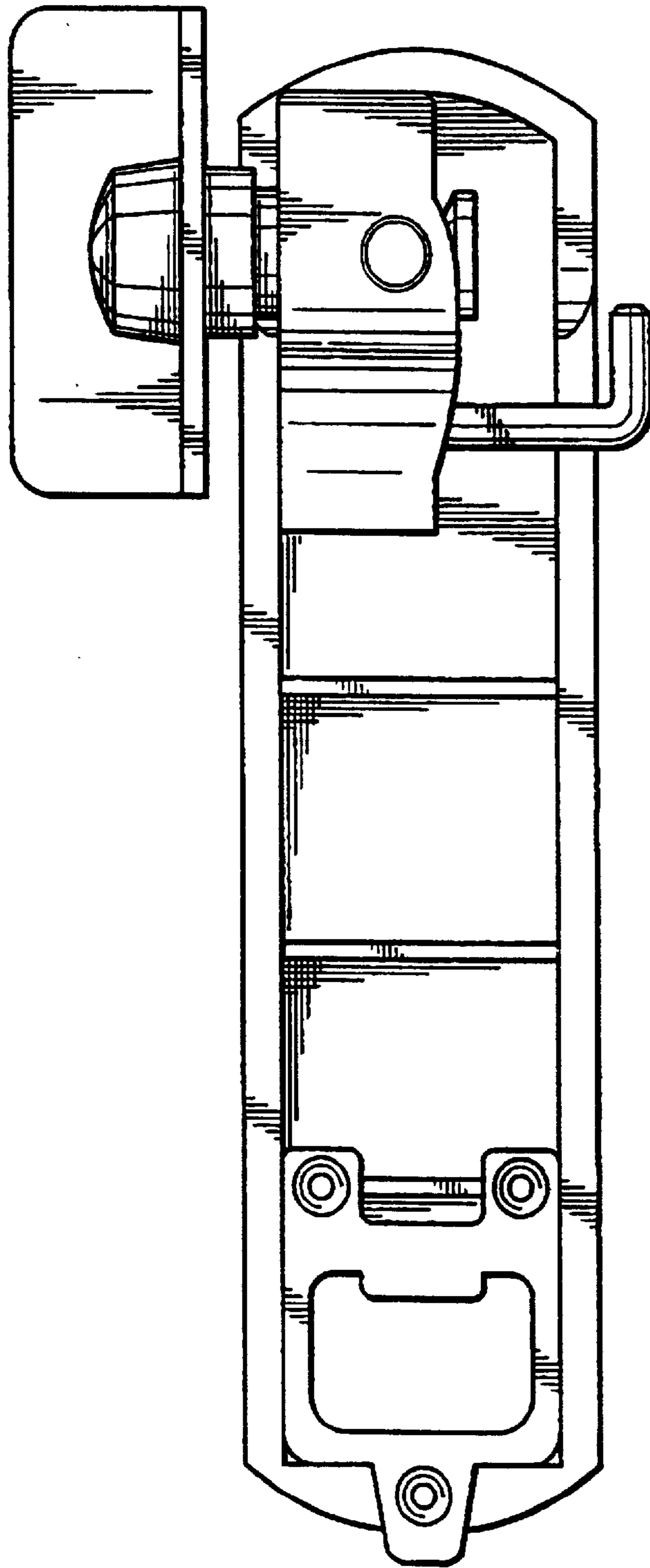


FIG. 5

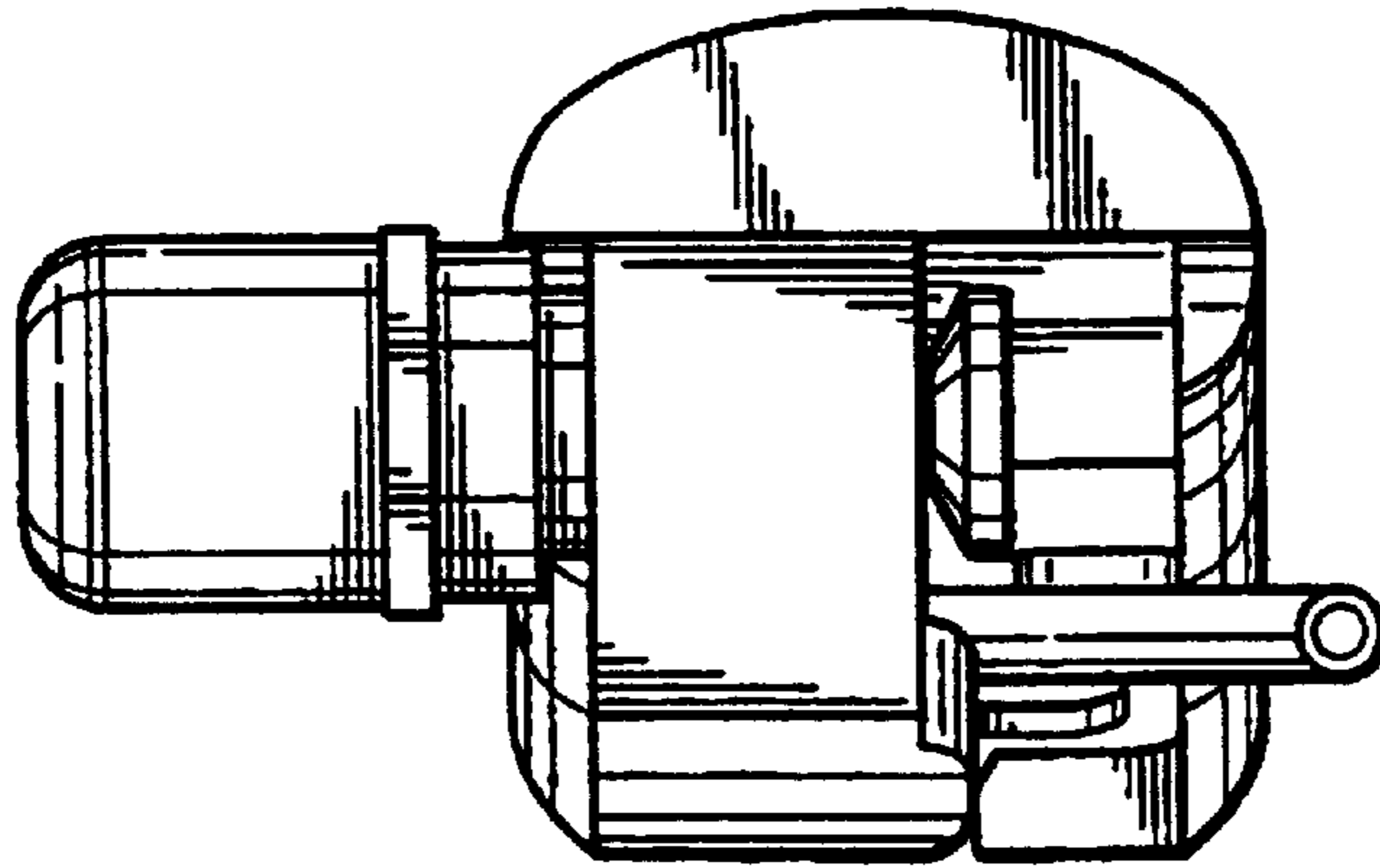


FIG. 6

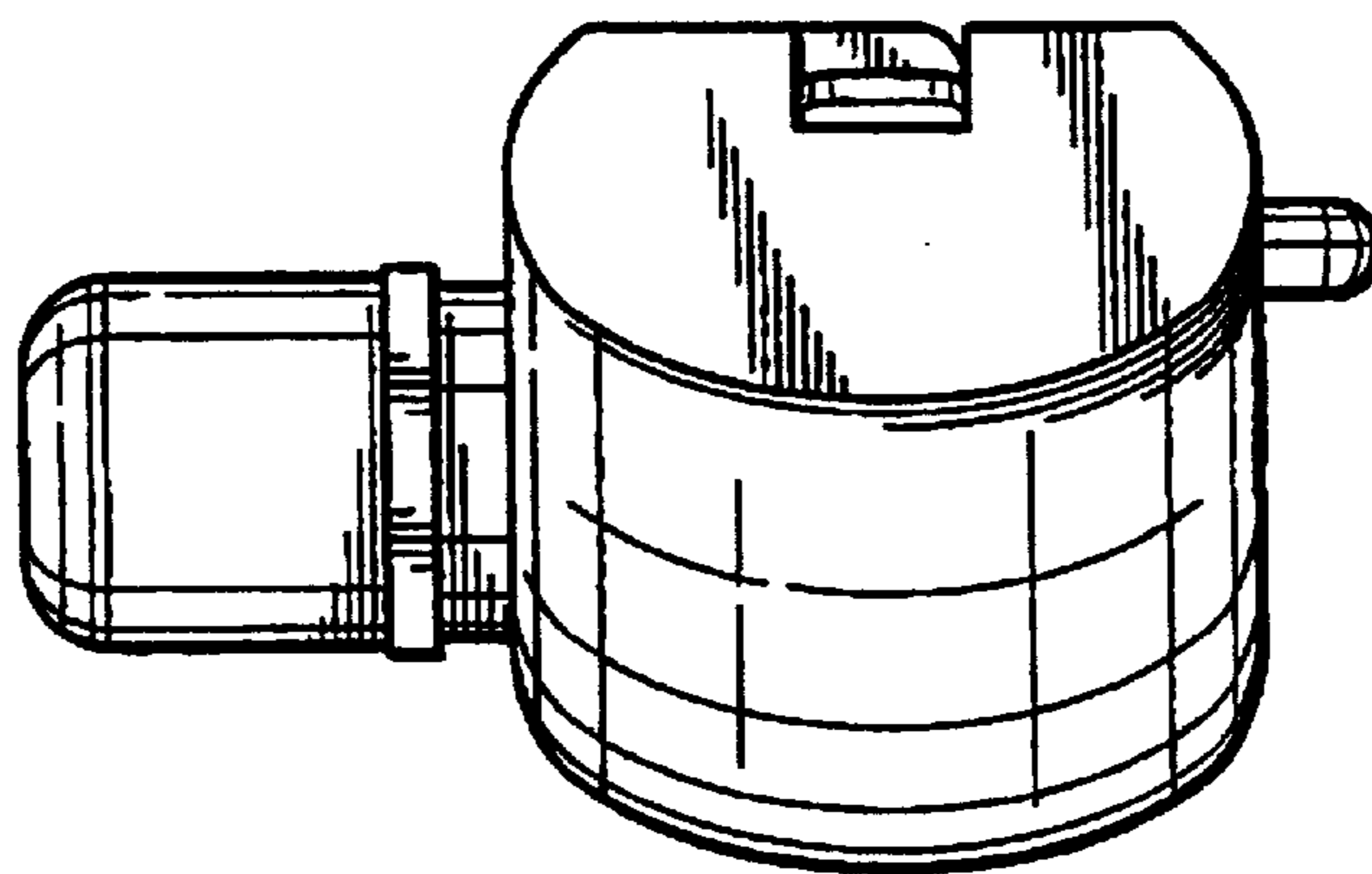


FIG. 7