



US00D406219S

# United States Patent [19]

[11] **Patent Number: Des. 406,219**

**Basek**

[45] **Date of Patent: \*\*Mar. 2, 1999**

[54] **GARDEN TOOL**

5,338,078 8/1994 Basek .  
5,469,923 11/1995 Visser .

[76] Inventor: **Charles Basek**, 2353 Marine Drive,  
Unit 5, Oakville, Ontario, Canada, L6L  
1C5

### FOREIGN PATENT DOCUMENTS

[\*\*] Term: **14 Years**

1290969 10/1991 Canada .  
2043589 11/1994 United Kingdom .

[21] Appl. No.: **62,609**

### OTHER PUBLICATIONS

[22] Filed: **Nov. 19, 1996**

USPTO Gazette, Abstract p. 645, Jan. 7, 1992, showing U.S.  
Design Registration No. 322,918.

[51] **LOC (6) Cl.** ..... **08-01**

*Primary Examiner*—Holly Baynham  
*Attorney, Agent, or Firm*—John C. Hunt

[52] **U.S. Cl.** ..... **D8/13**

[58] **Field of Search** ..... D8/1, 7, 13, 9;  
294/50.5, 50.7; 172/22, 21, 25, 371-372,  
375-376

### [57] CLAIM

I claim the ornamental design for a garden tool, as shown.

### [56] References Cited

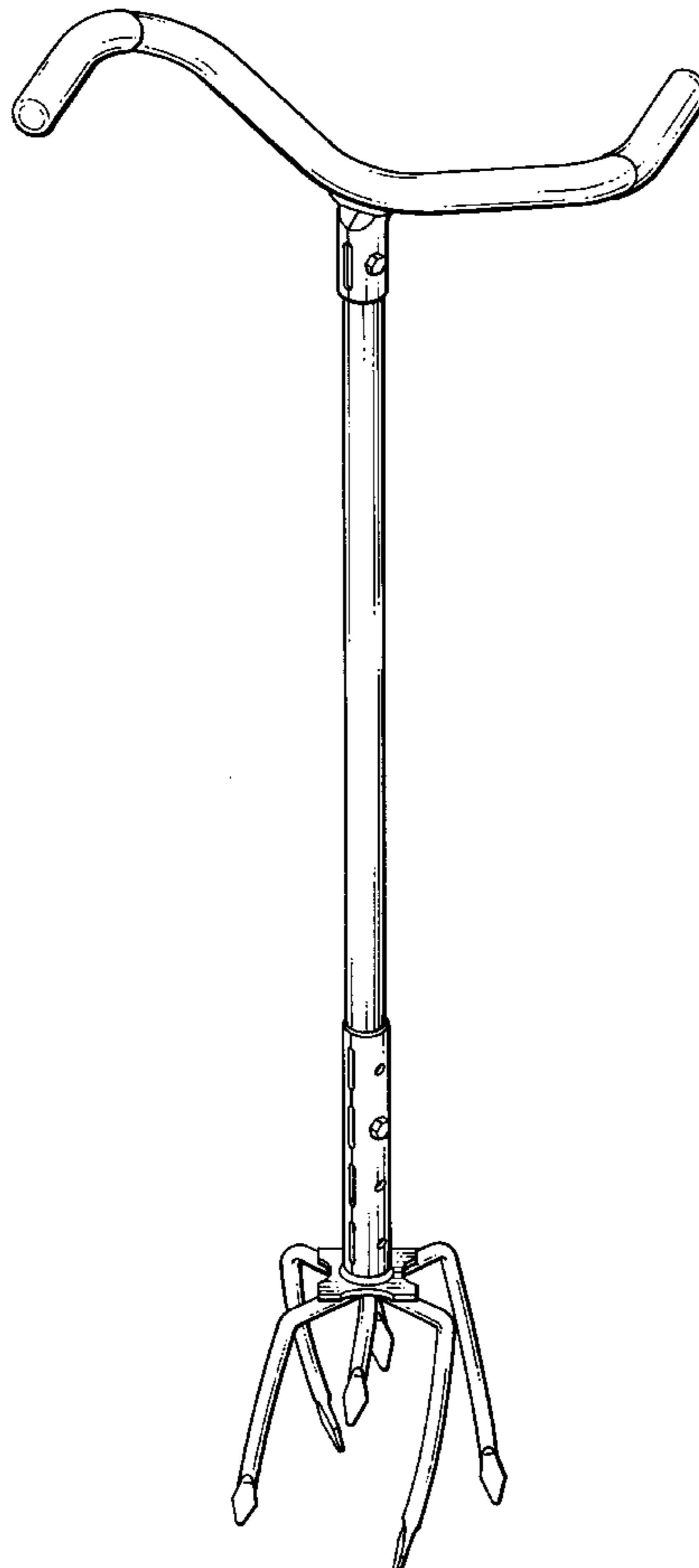
### DESCRIPTION

#### U.S. PATENT DOCUMENTS

1,692,436 11/1928 Deane .  
2,531,297 11/1950 Rose .  
3,123,391 3/1964 Novak .  
3,273,930 9/1966 Gottfried .  
3,602,542 8/1971 Disston .  
4,905,768 3/1990 Lorenz ..... 172/25  
4,932,339 6/1990 List .  
5,005,888 4/1991 Parks et al. .  
5,207,466 5/1993 Ohlson ..... 172/21 X  
5,242,024 9/1993 Van Houten .

FIG. 1 is a perspective view of the design;  
FIG. 2 is a side elevation view of the design viewed from the  
front of the design as oriented in FIG.1;  
FIG. 3 is a side elevation view of the design viewed from the  
rear of the design as oriented in FIG.1;  
FIG. 4 is a side elevation view of the design viewed from the  
left hand side of the design as oriented in FIG. 1;  
FIG. 5 is a top plan view of the design; and,  
FIG. 6 is a bottom plan view of the design.

**1 Claim, 5 Drawing Sheets**



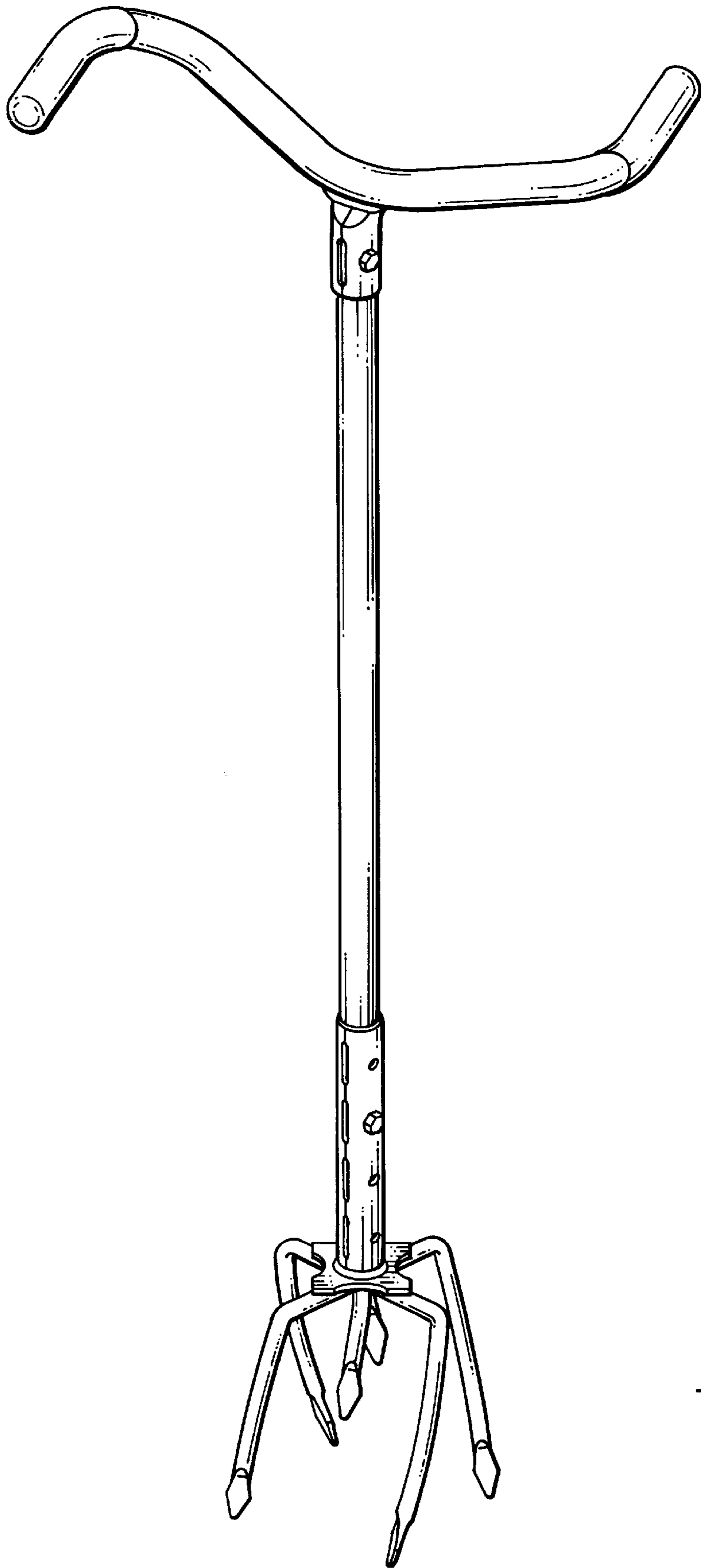


FIG. 1

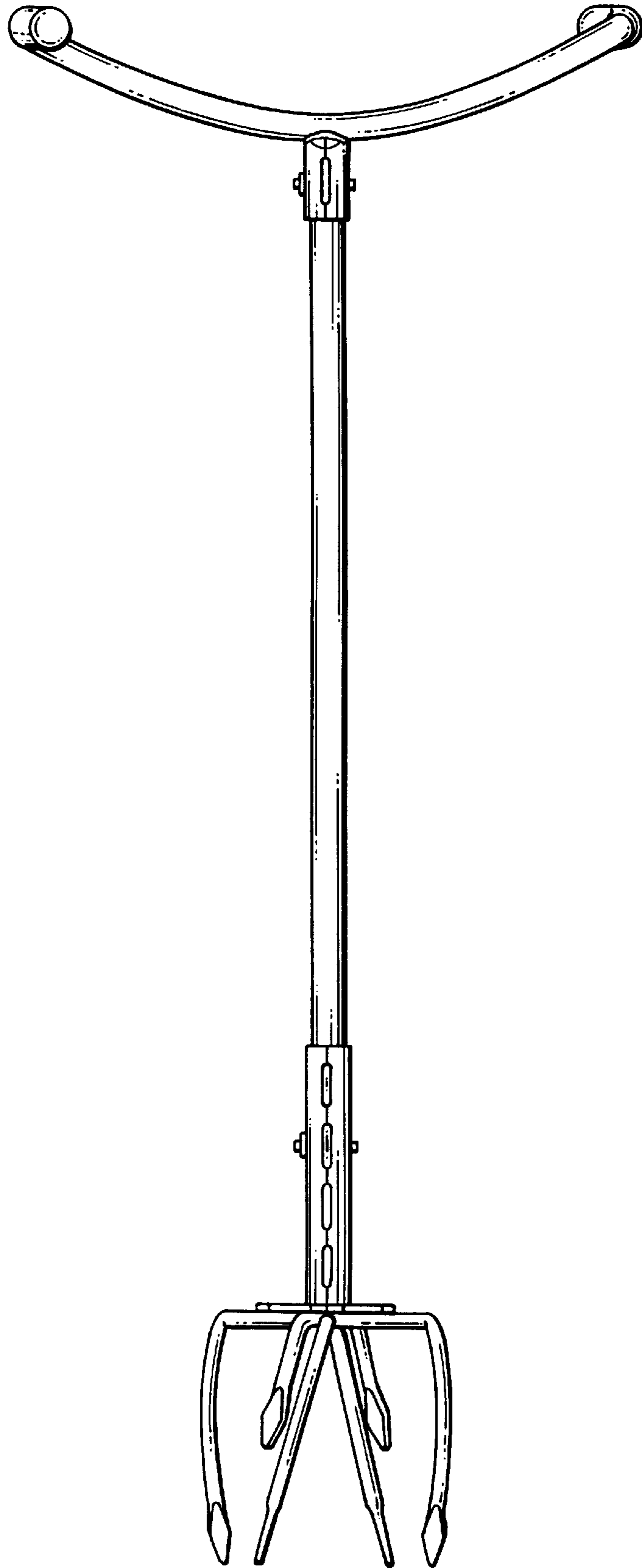


FIG. 2

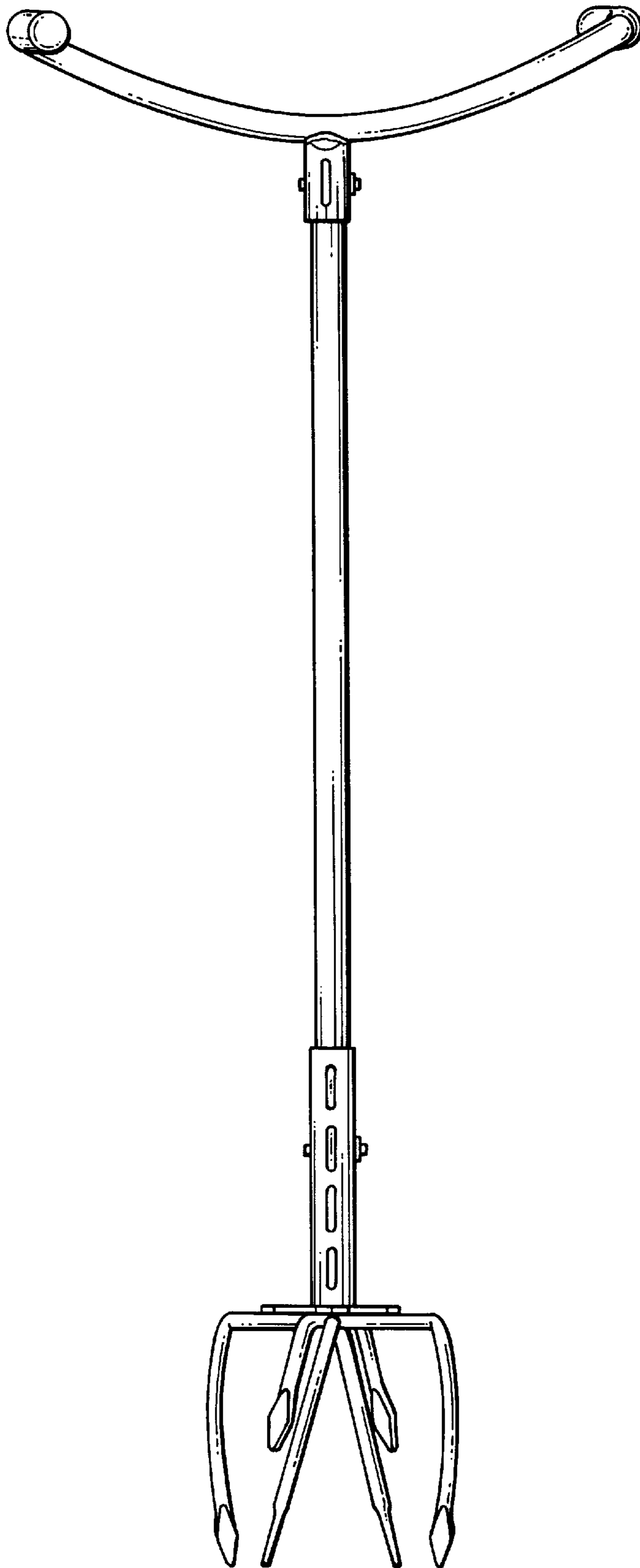


FIG. 3

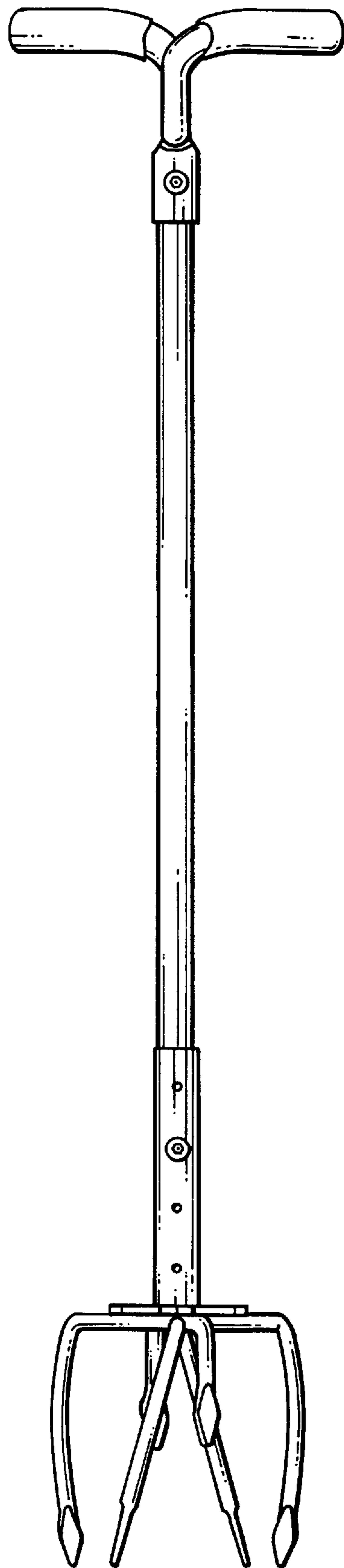


FIG. 4

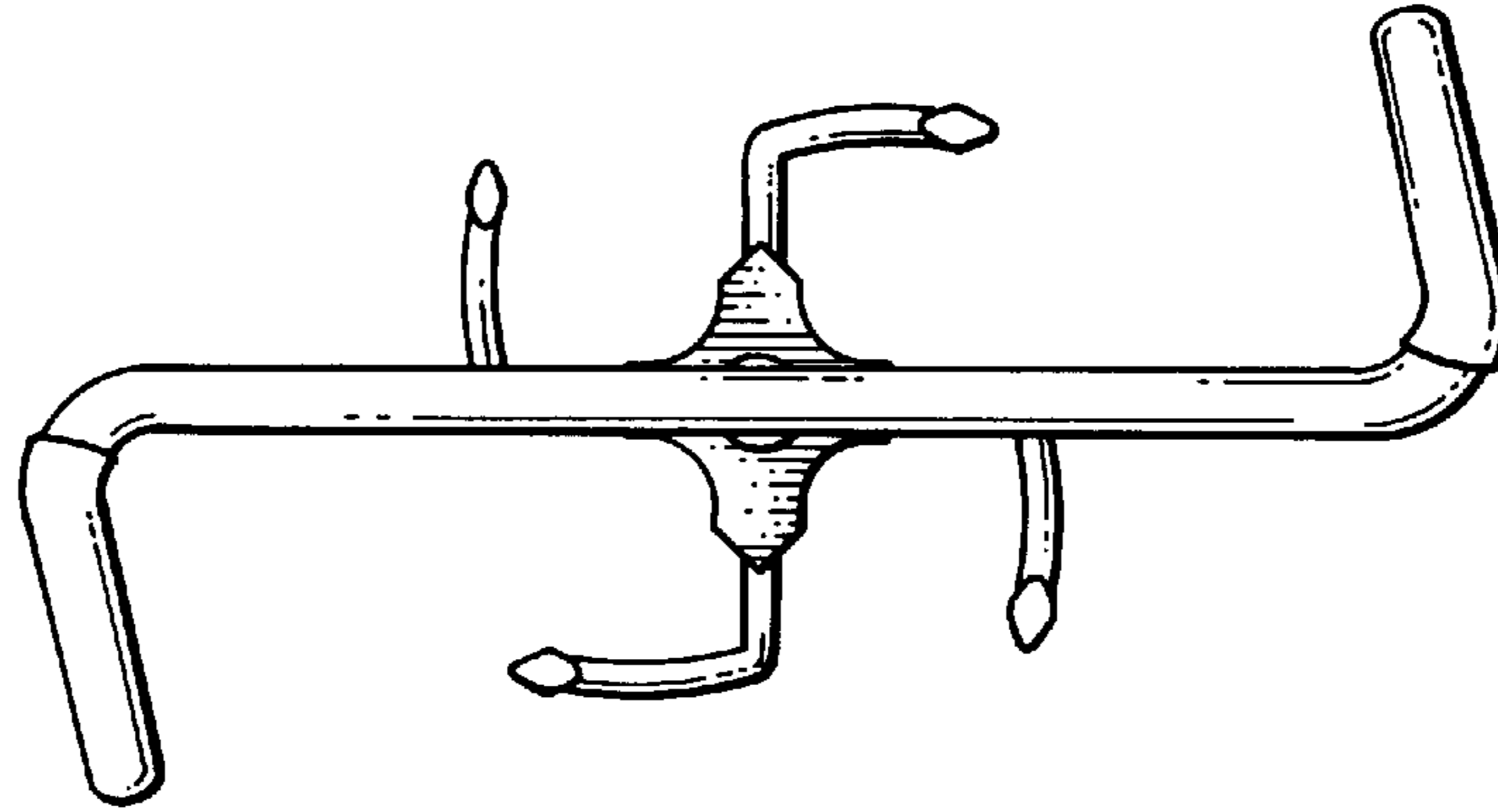


FIG. 5

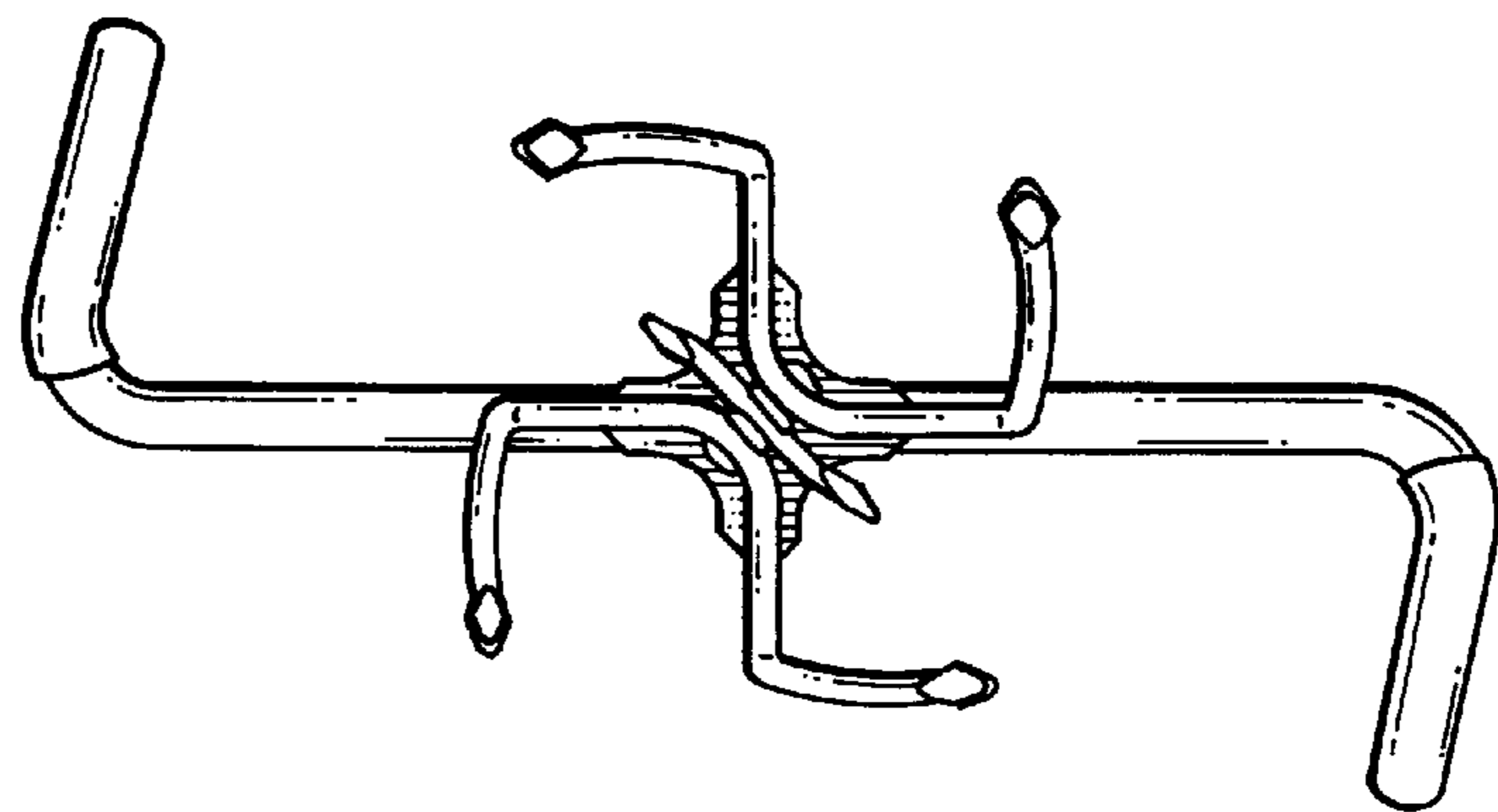


FIG. 6