



US00D406218S

United States Patent [19] Schneider

[11] Patent Number: **Des. 406,218**

[45] Date of Patent: ****Mar. 2, 1999**

[54] **SPICE RACK**

[76] Inventor: **Gladys Schneider**, 631 S. Villa, Villa Park, Ill. 60181

[**] Term: **14 Years**

[21] Appl. No.: **76,217**

[22] Filed: **Aug. 26, 1997**

[51] **LOC (6) Cl.** **06-04**

[52] **U.S. Cl.** **D7/701; D7/590**

[58] **Field of Search** D7/590, 637-641, D7/601, 701; D6/567; 211/13, 40, 70.6, 86; 248/309.1; D3/304, 313, 314

[56] **References Cited**

U.S. PATENT DOCUMENTS

D. 192,017	1/1962	Moore	D44/29
D. 192,531	4/1962	Guillaumant	D44/29
D. 295,125	4/1988	Chap	D6/462
D. 297,489	9/1988	Chap et al.	D6/462
D. 332,895	2/1993	Salzmann	D7/590
D. 372,847	8/1996	Sparks	D7/701
D. 375,874	11/1996	Chrisco	D7/637
1,065,000	6/1913	Sarter et al.	.	
1,123,109	12/1914	Davis	.	

1,266,245	5/1918	Fuhrmann	.	
1,994,195	3/1935	Hay	211/41
2,198,825	4/1940	Kuert	211/41
3,094,215	6/1963	Sipe	211/13
3,326,387	6/1967	Princevalle	211/41
4,998,627	3/1991	Elder	211/13
5,207,334	5/1993	Lear	211/41

Primary Examiner—Terry A. Wallace
Attorney, Agent, or Firm—Welsh & Katz, Ltd.

[57] **CLAIM**

The ornamental design for a spice rack, as shown and described.

DESCRIPTION

FIG. 1 is a front, top, left side perspective view of a spice rack showing my new design, the opposite sides being identical;
FIG. 2 is a partial rear perspective view thereof, partially in an open position;
FIG. 3 is a partial top perspective view of the lower portion, shown separately for clarity of illustration;
FIG. 4 is a bottom plan view thereof;
FIG. 5 is an exploded cross-sectional view thereof; and,
FIG. 6 is a cross-sectional view thereof.

1 Claim, 3 Drawing Sheets

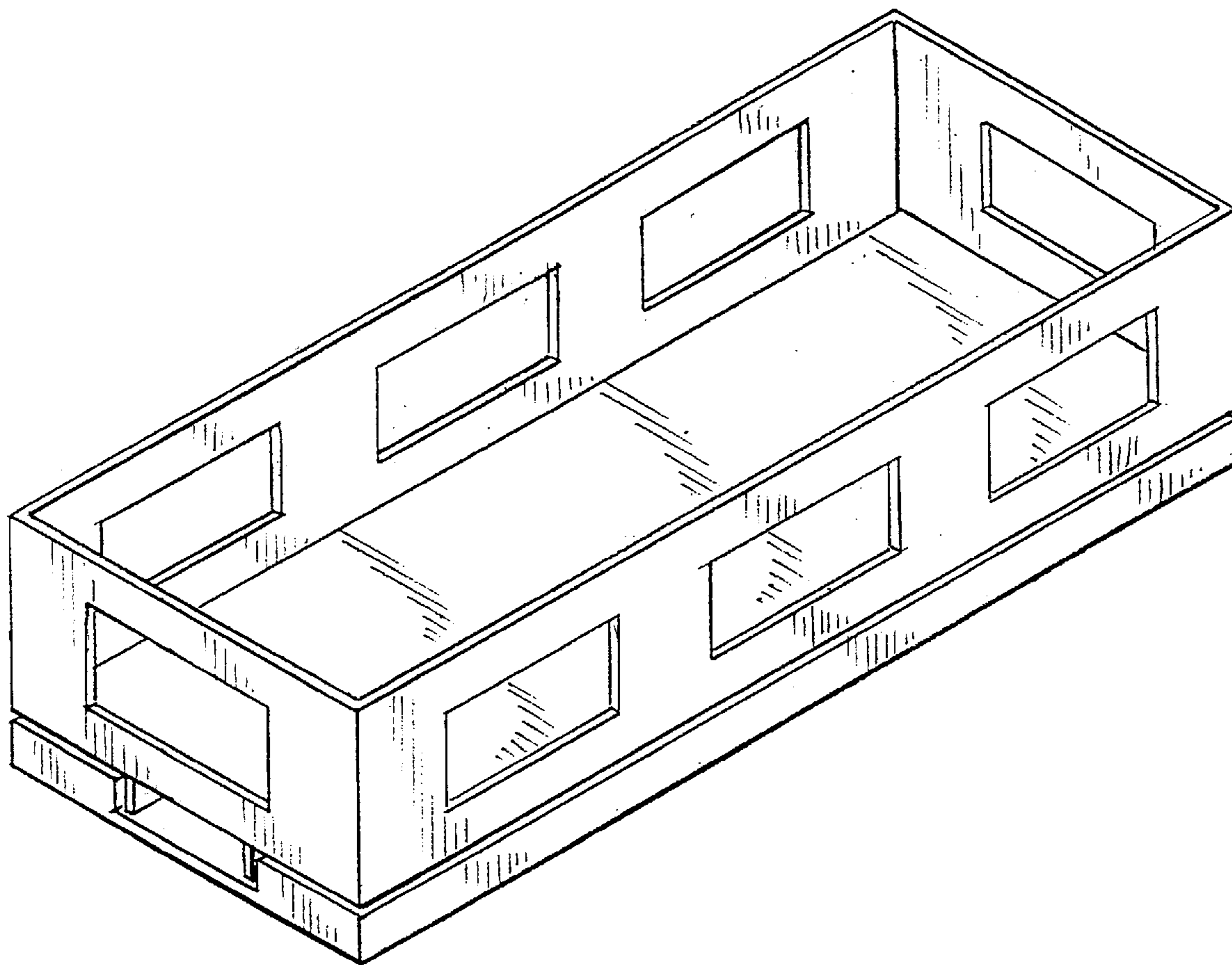


FIG. 1

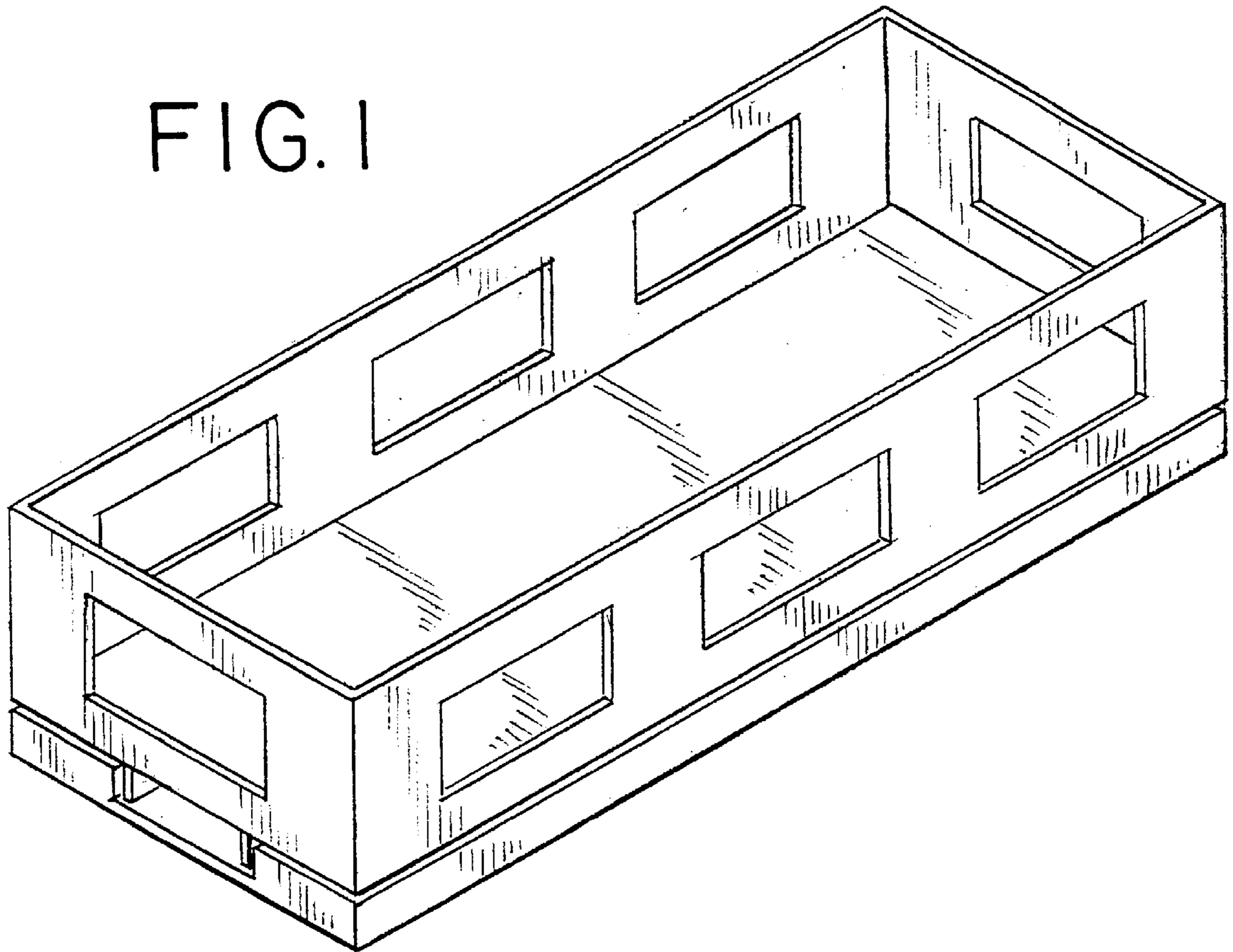
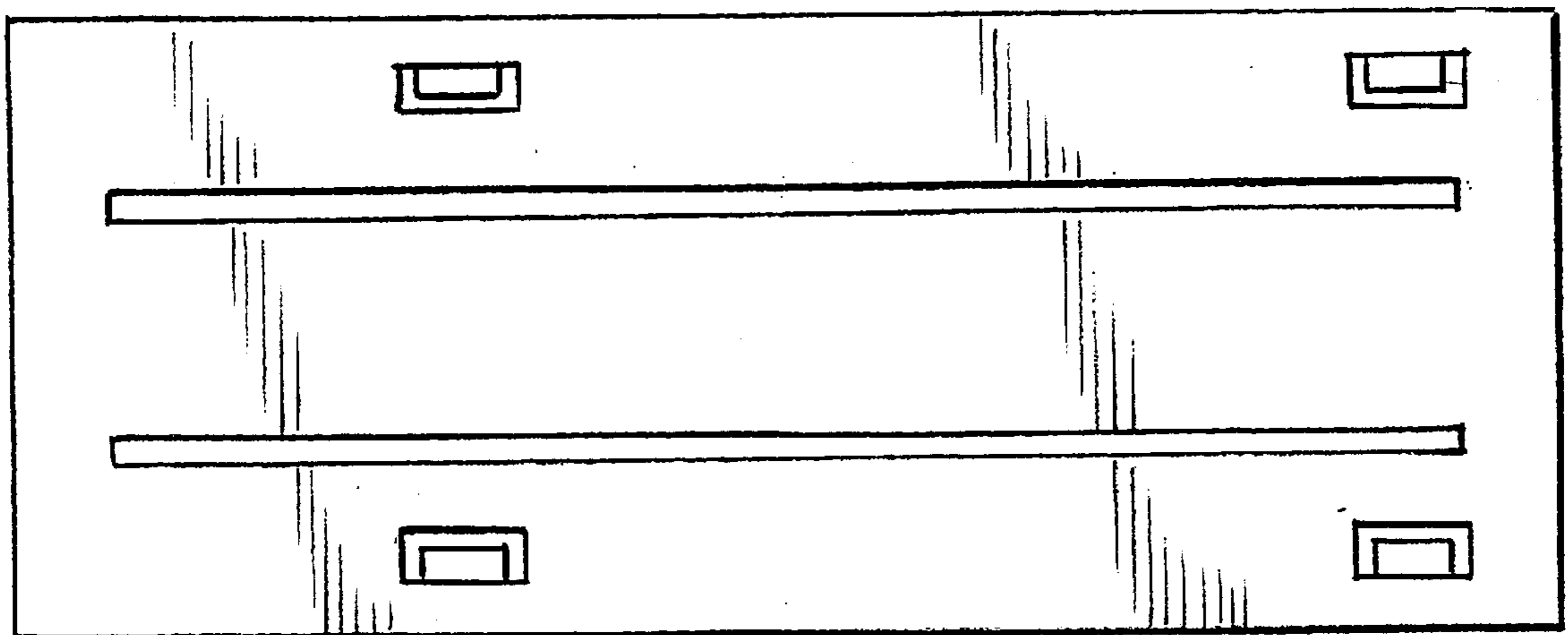


FIG. 4



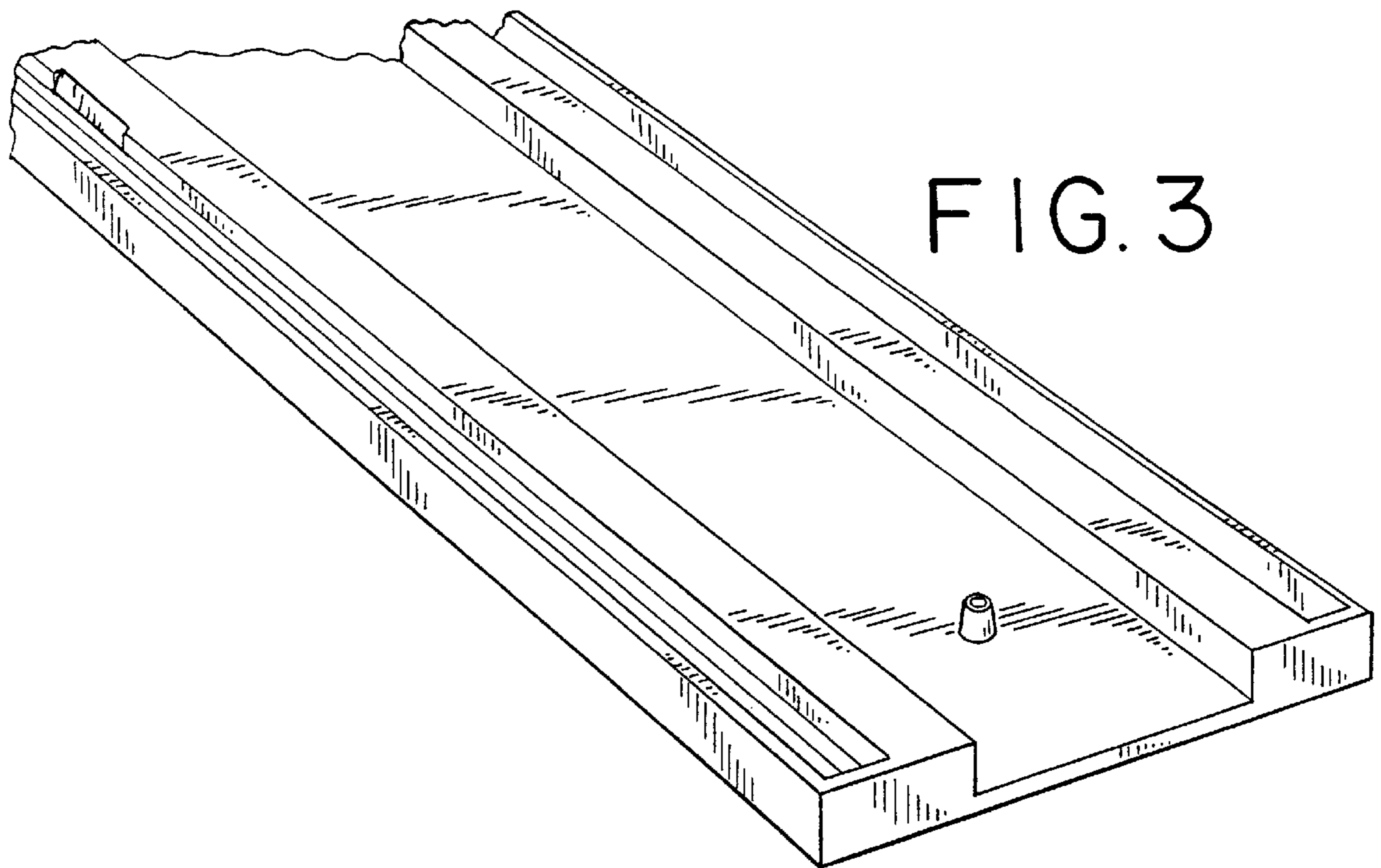
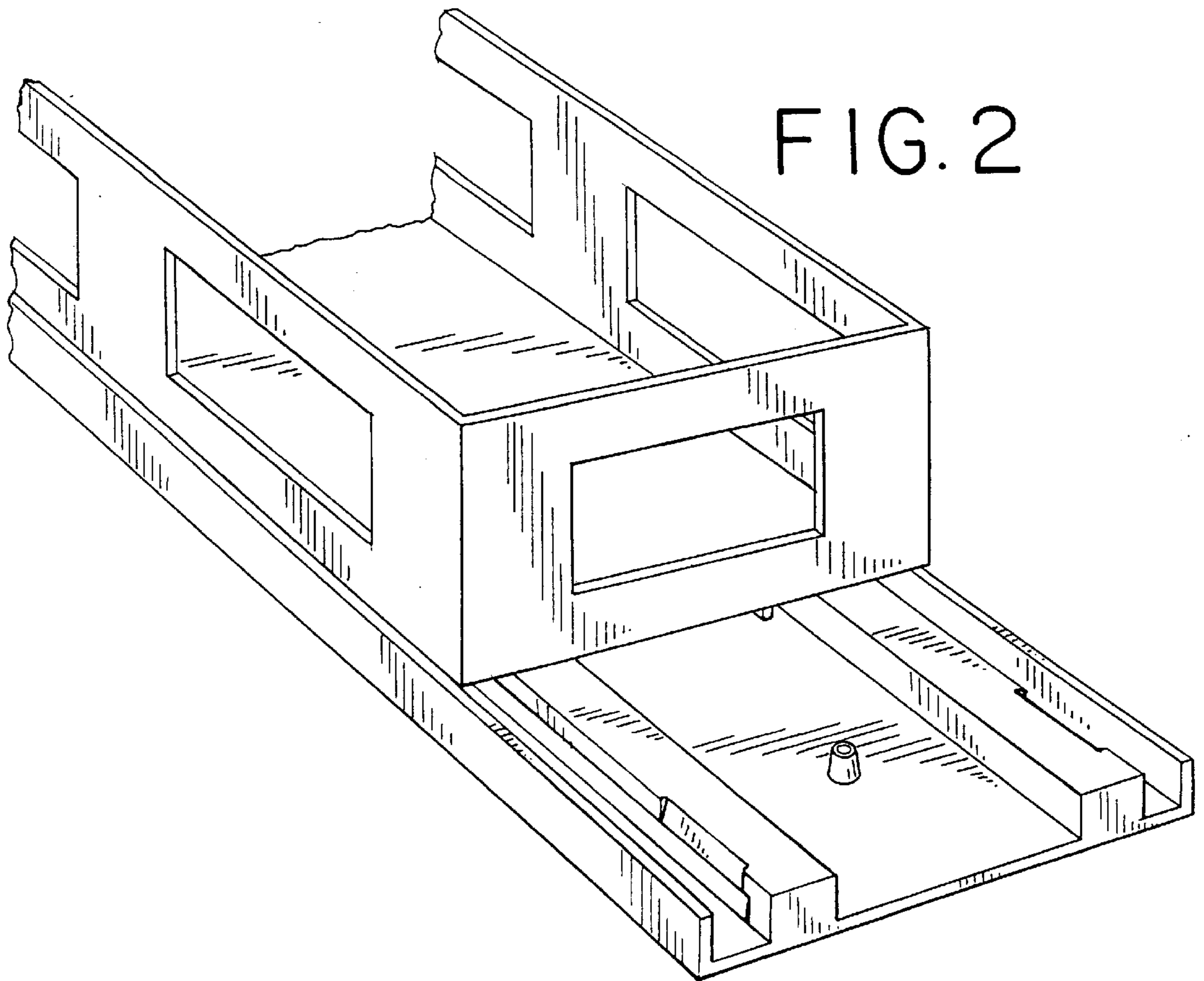


FIG. 5

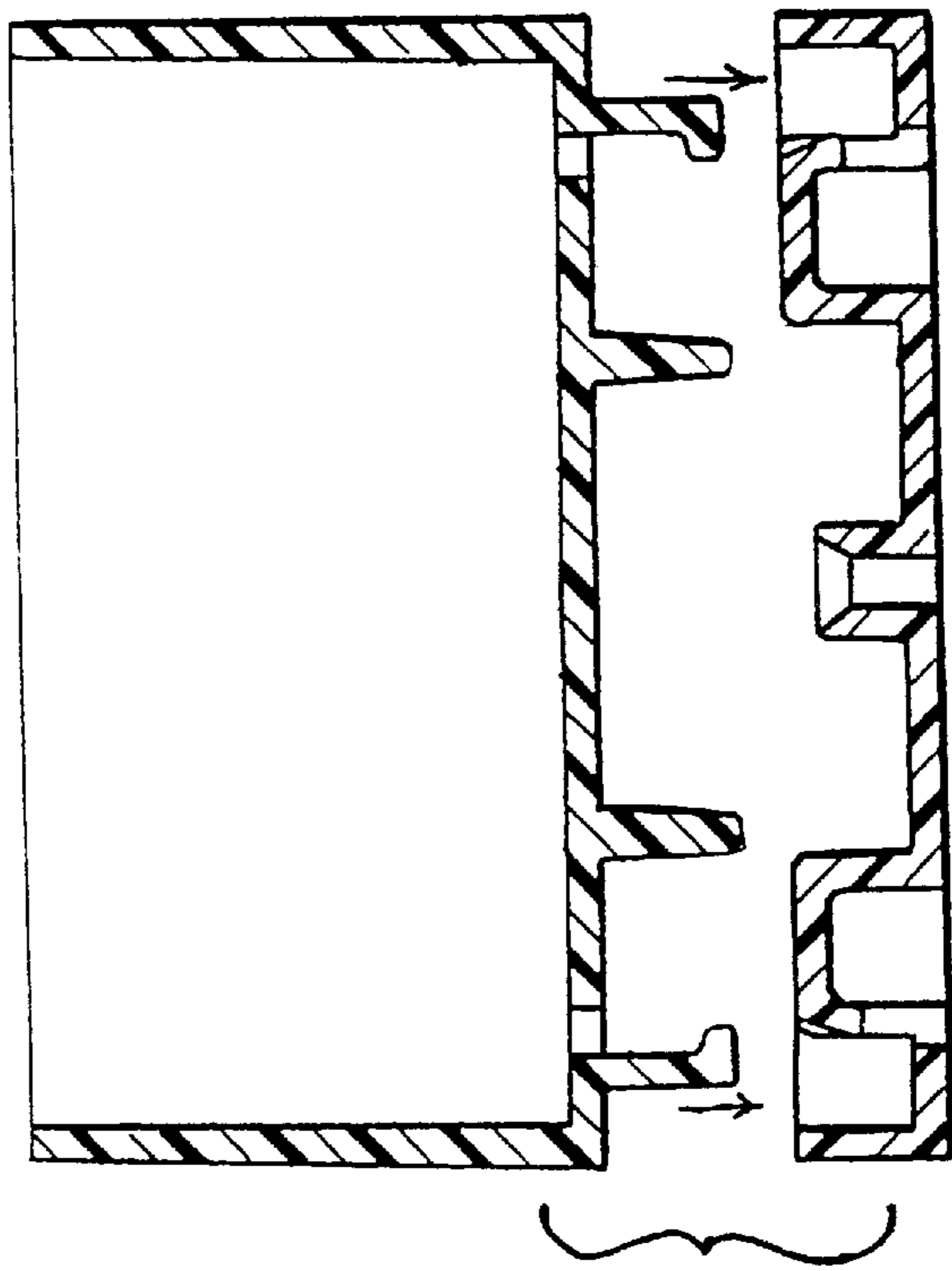


FIG. 6

