



US00D406215S

United States Patent [19] Patel

[11] **Patent Number: Des. 406,215**

[45] **Date of Patent: **Mar. 2, 1999**

[54] **COLANDER**

[75] Inventor: **Jitendra S. Patel**, Jackson Heights, N.Y.

[73] Assignee: **Sitlax, Ltd.**, Woodside, N.Y.

[**] Term: **14 Years**

[21] Appl. No.: **73,167**

[22] Filed: **Jul. 2, 1997**

Related U.S. Application Data

[63] Continuation-in-part of Ser. No. 69,514, Apr. 23, 1997, Pat. No. Des. 392,847.

[51] **LOC (6) Cl.** **07-04**

[52] **U.S. Cl.** **D7/667**

[58] **Field of Search** D7/667, 668, 400; 99/403, 426; 210/464, 465, 470, 473, 498, 499

[56] References Cited

U.S. PATENT DOCUMENTS

D. 334,119 3/1993 Giugiaro .
3,300,048 1/1967 Pollock .

OTHER PUBLICATIONS

Photographs and color photocopies of Sitlax Colander Model No. CO-3, 1982.

Primary Examiner—Terry A Wallace

Attorney, Agent, or Firm—Lerner, David, Littenberg, Krumholz & Mentlik

[57] CLAIM

The ornamental design for a colander, as shown and described.

DESCRIPTION

FIG. 1 is a front perspective view of a colander showing my new design;

FIG. 2 is a front perspective view of an alternate embodiment of FIG. 1;

FIG. 3 is a front perspective view of an alternate embodiment of FIG. 1;

FIG. 4 is a front perspective view of an alternate embodiment of FIG. 1;

FIG. 5 is a front perspective view of an alternate embodiment of FIG. 1;

FIG. 6 is a front perspective view of an alternate embodiment of FIG. 1;

FIG. 7 is a front perspective view of an alternate embodiment of FIG. 1; and,

FIG. 8 is a front perspective view of an alternate embodiment of FIG. 1.

The broken lines are for illustrative purposes only and form no part of the claimed design.

1 Claim, 4 Drawing Sheets

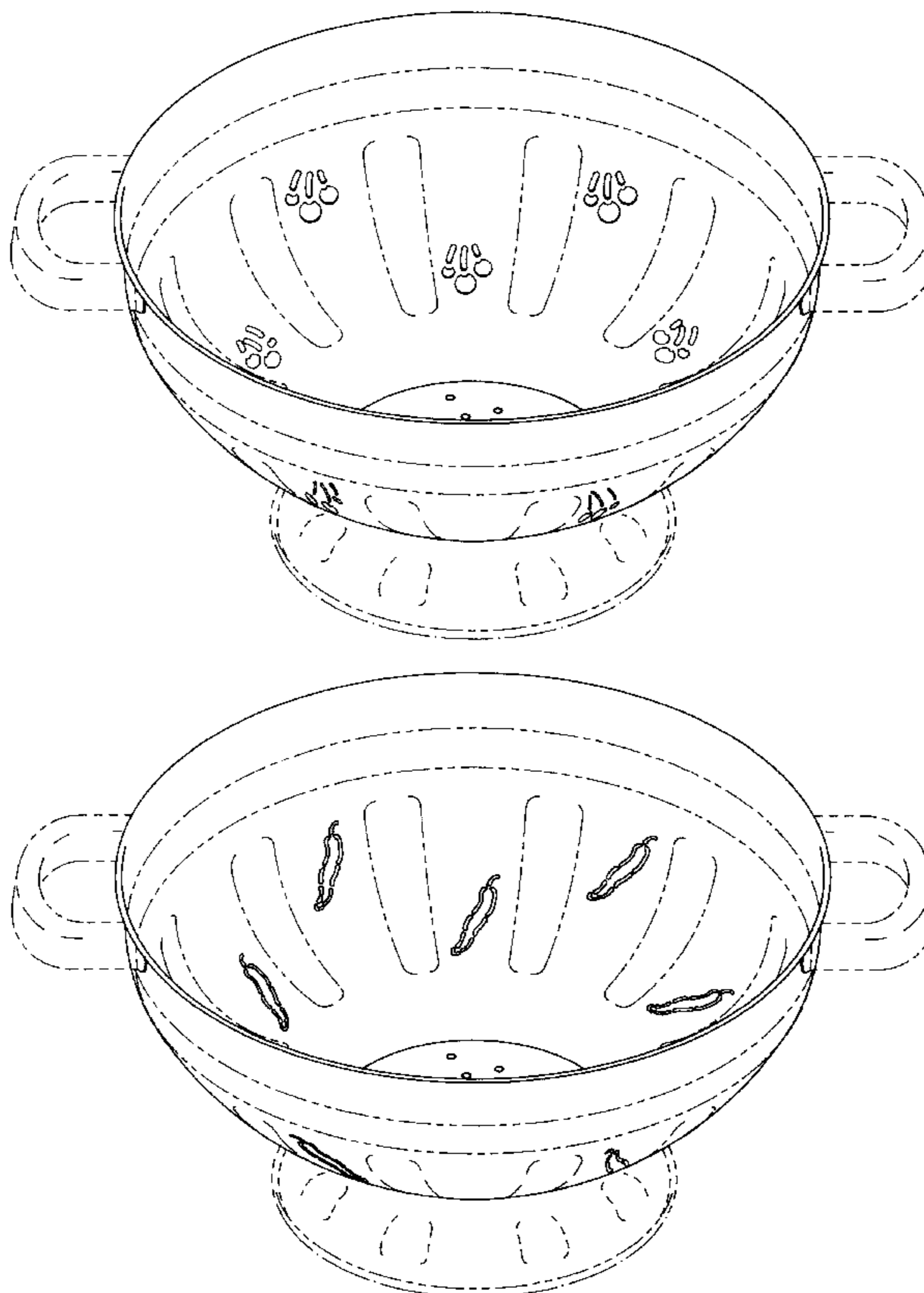


FIG. 1

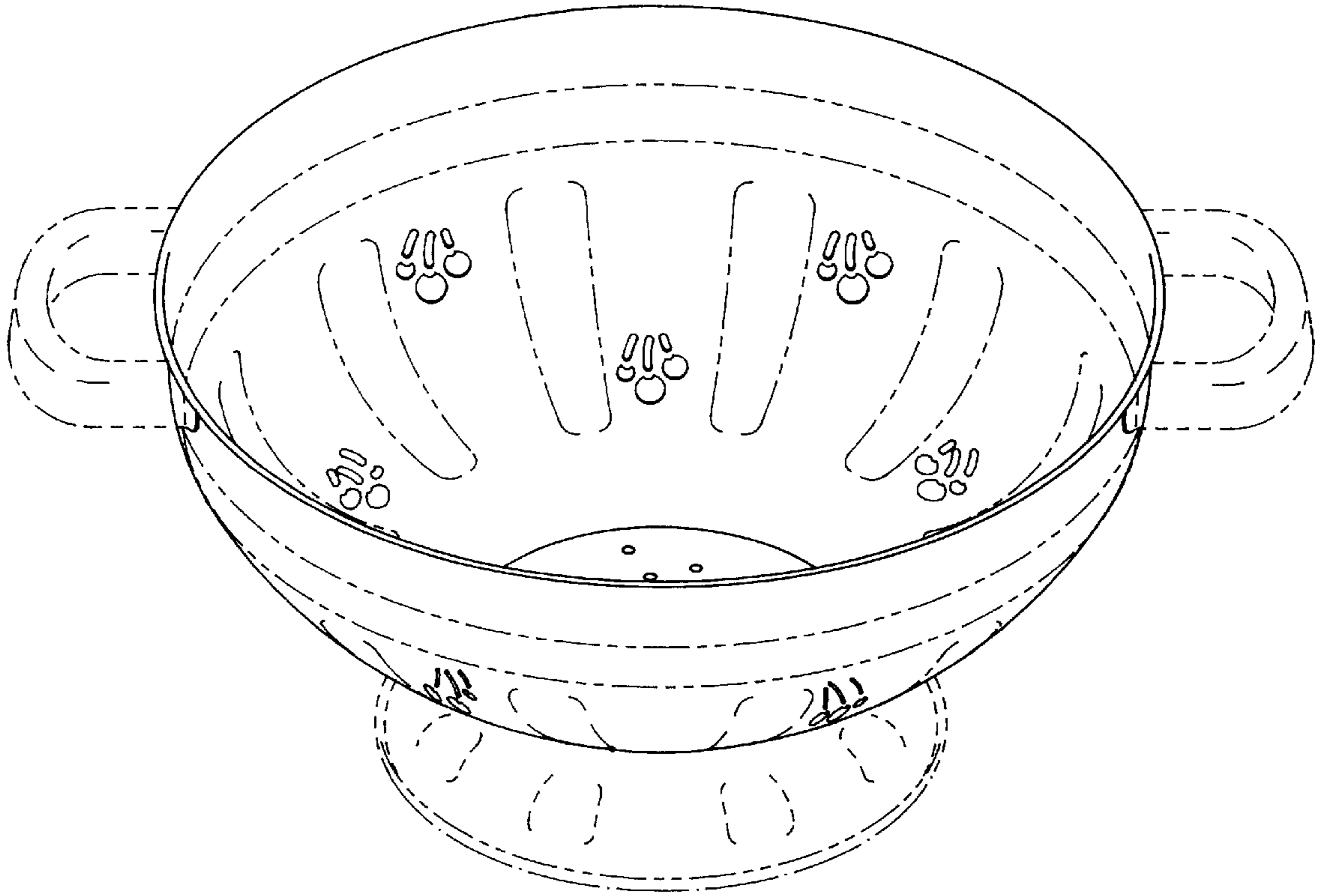


FIG. 2

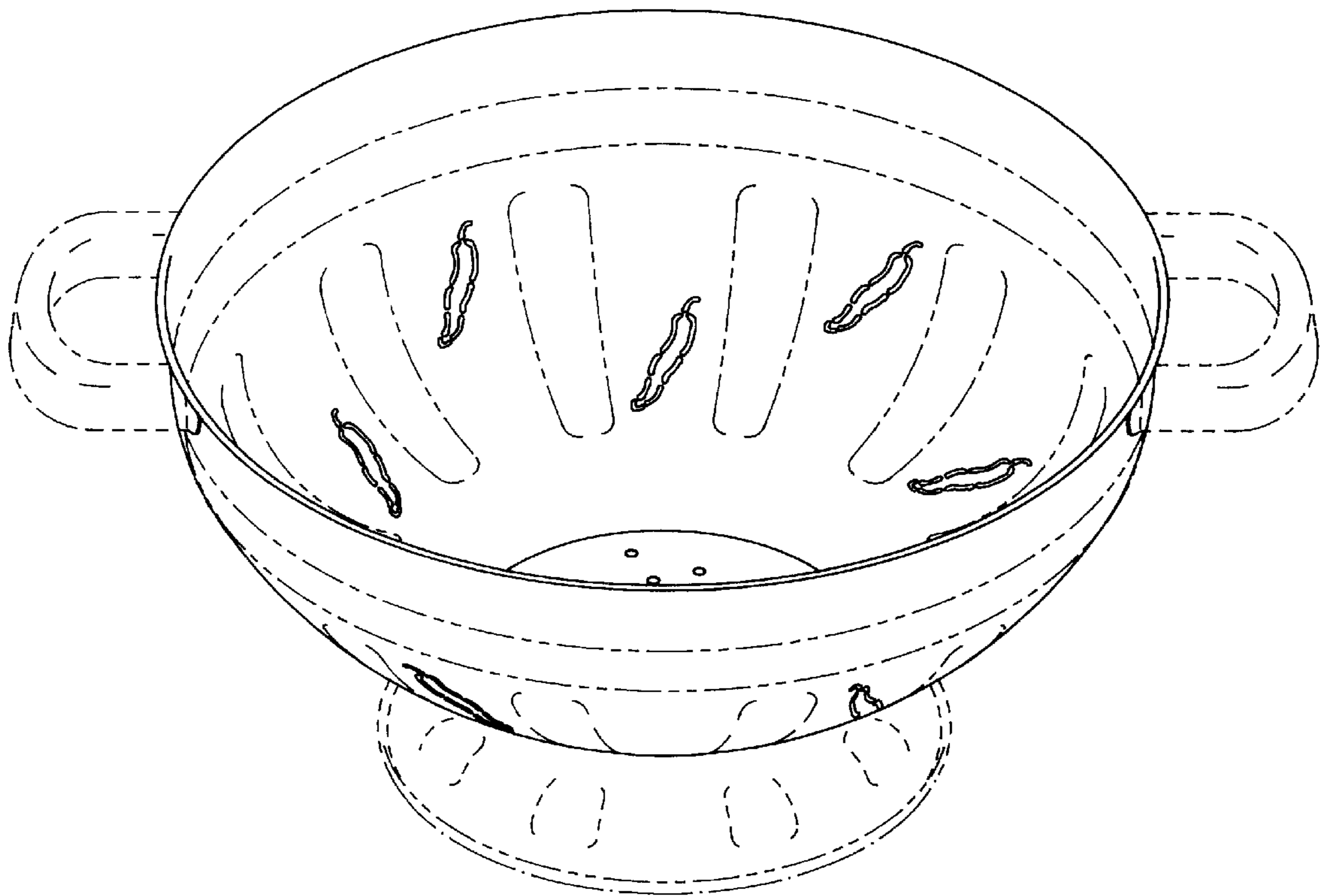


FIG. 3

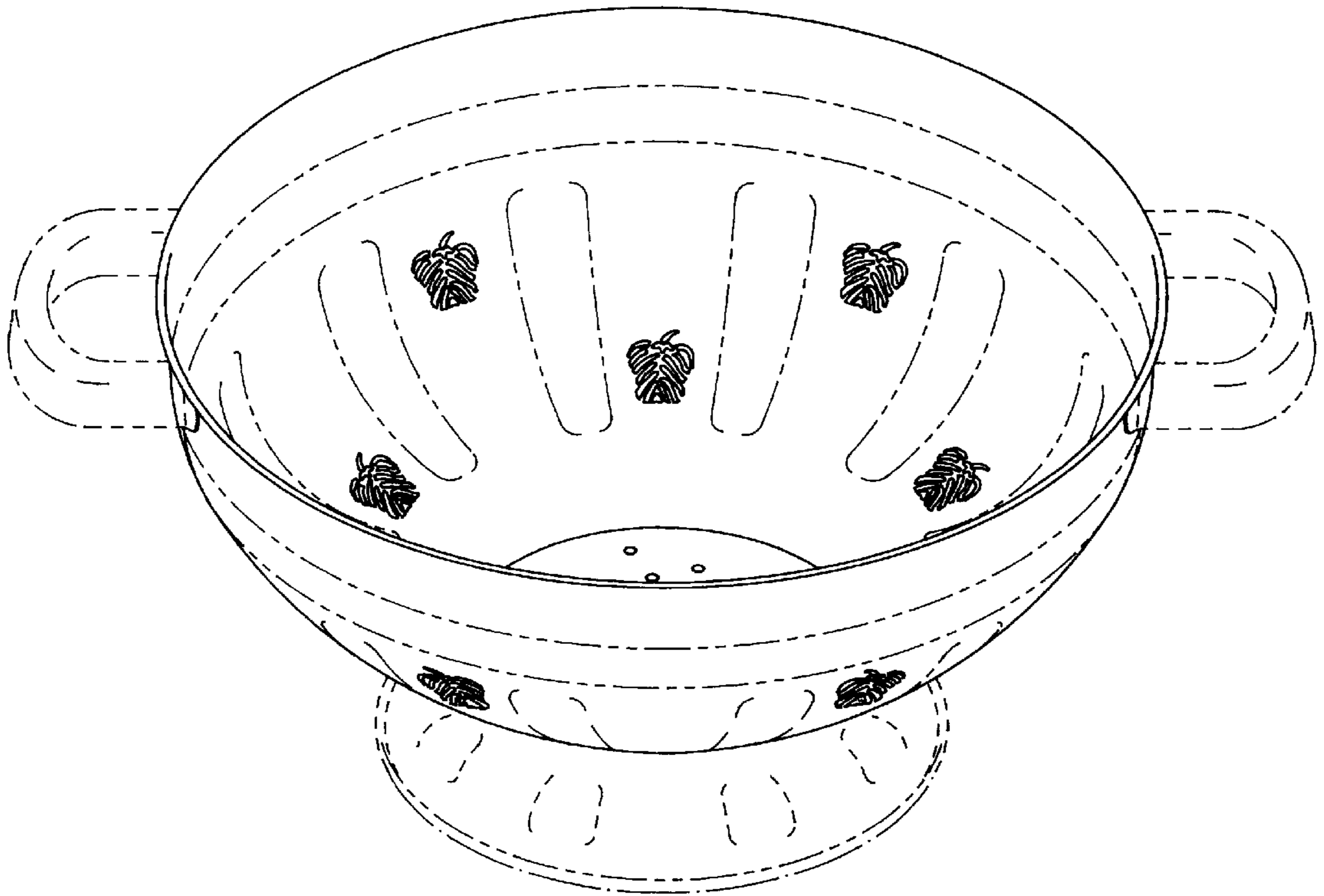


FIG. 4

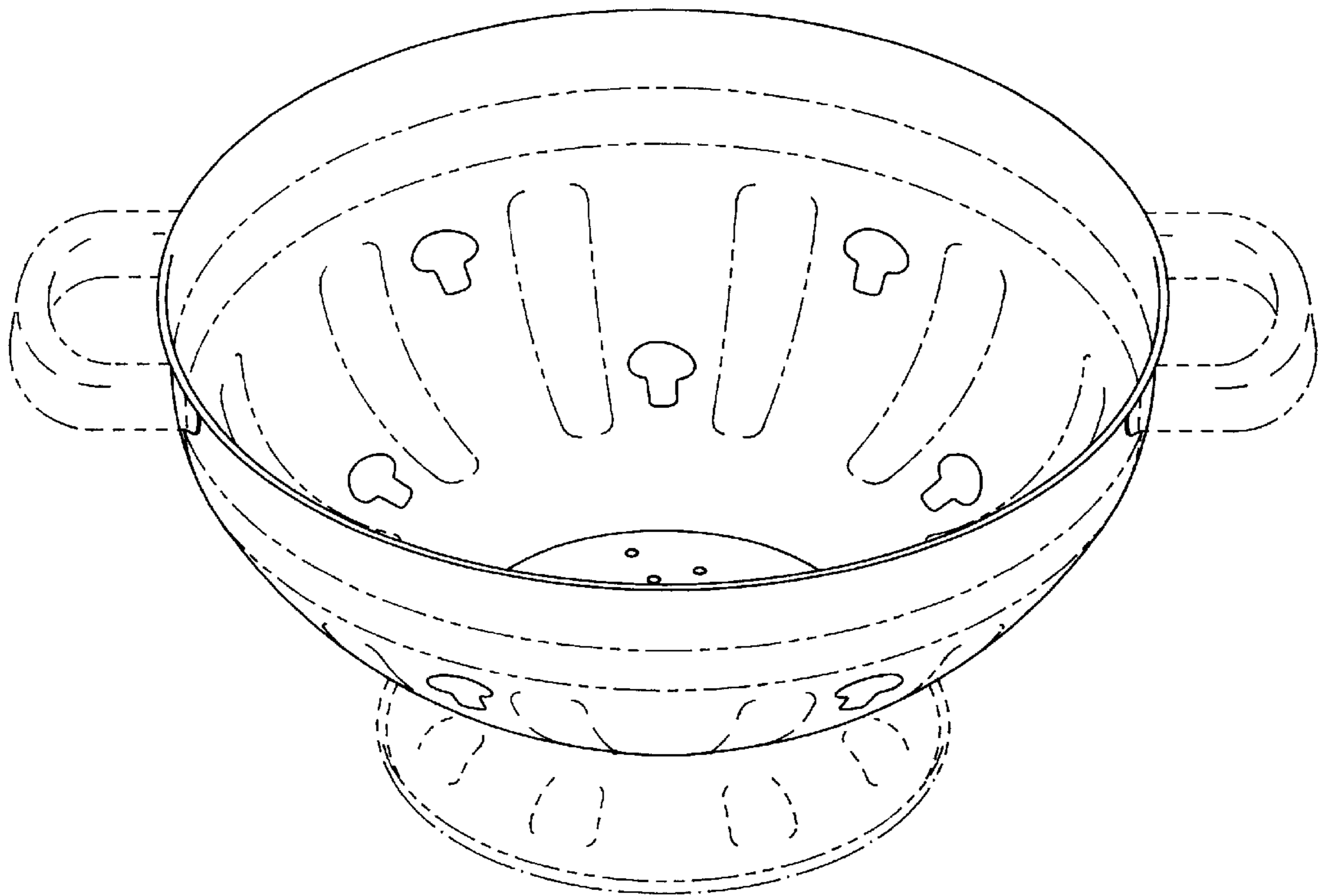


FIG. 5

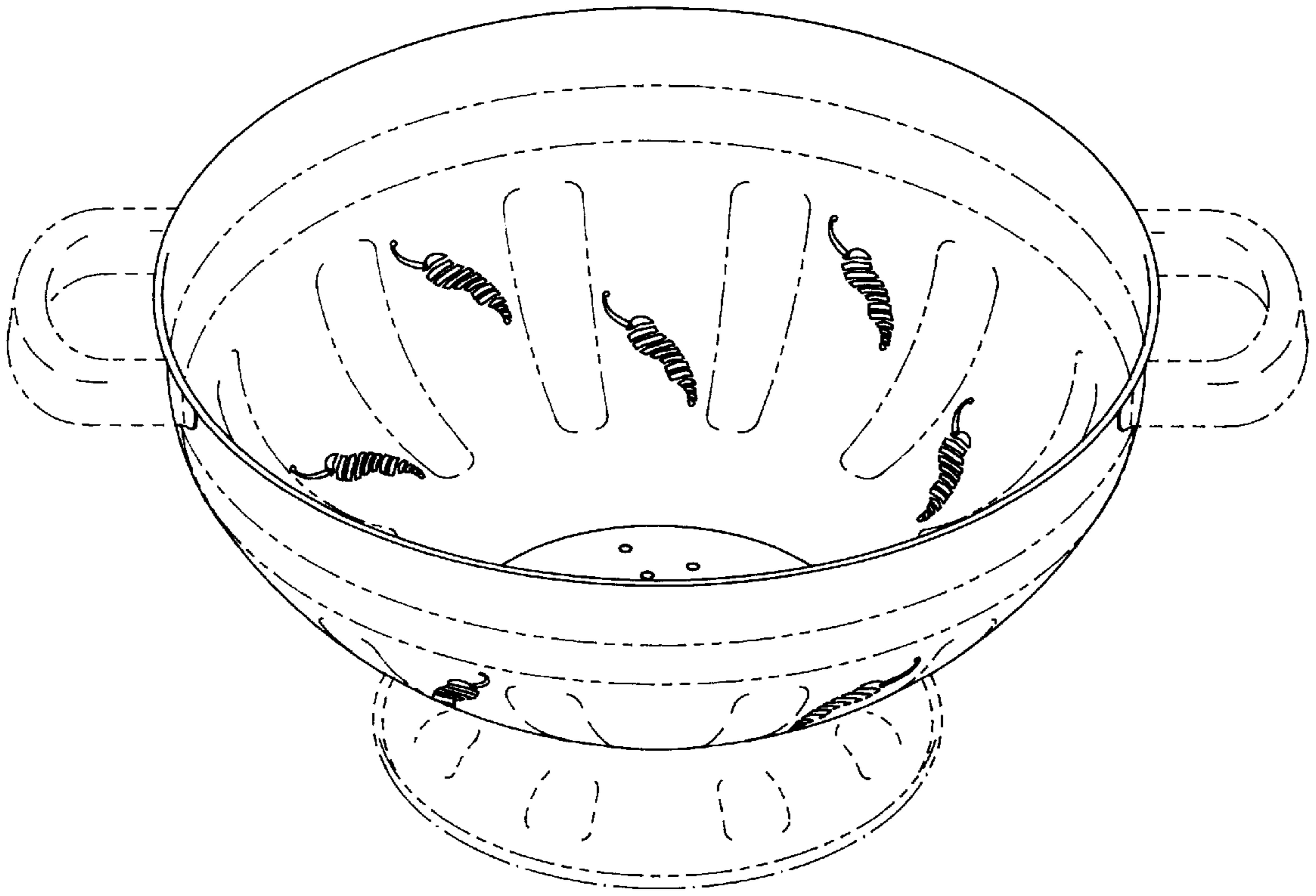


FIG. 6

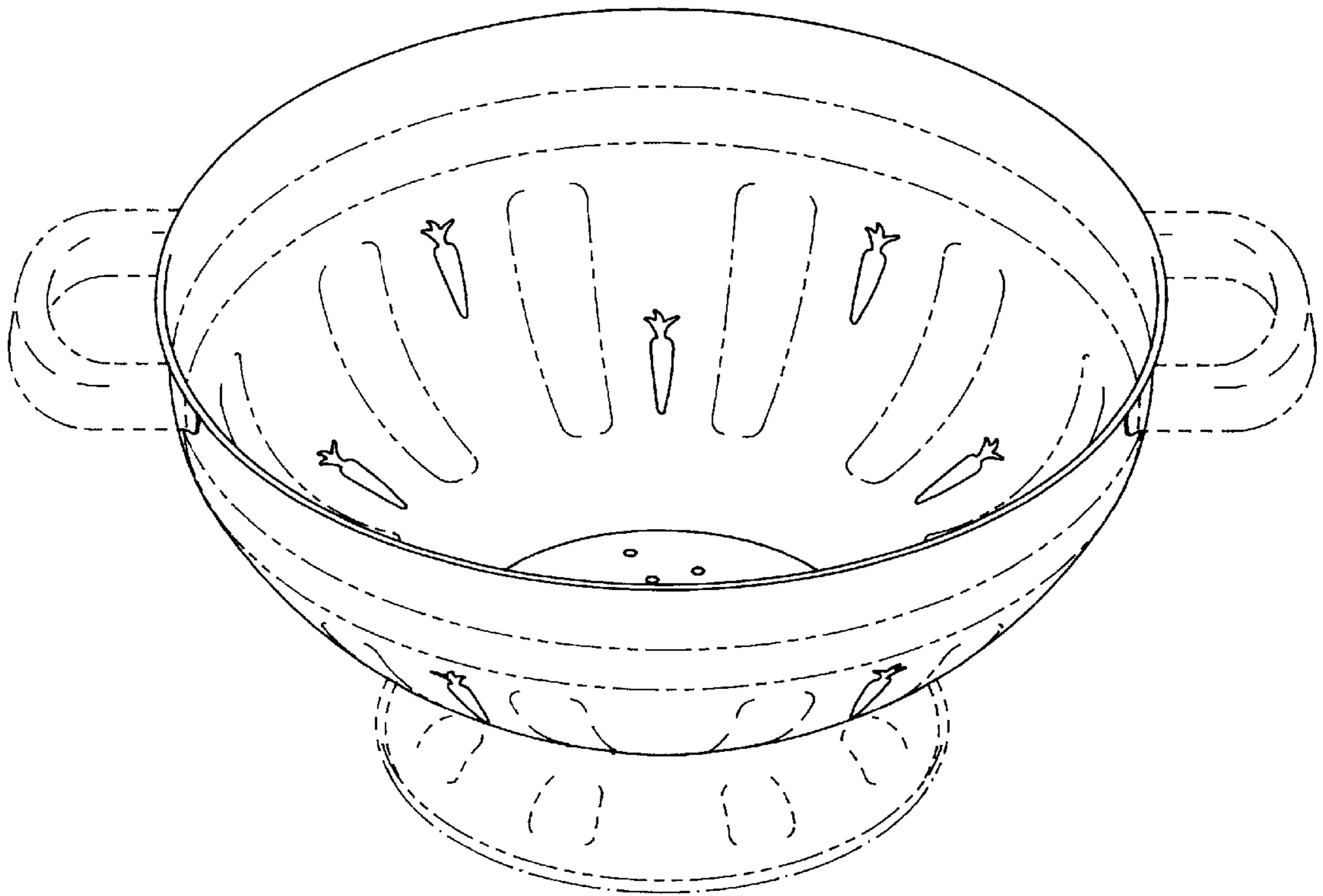


FIG. 7

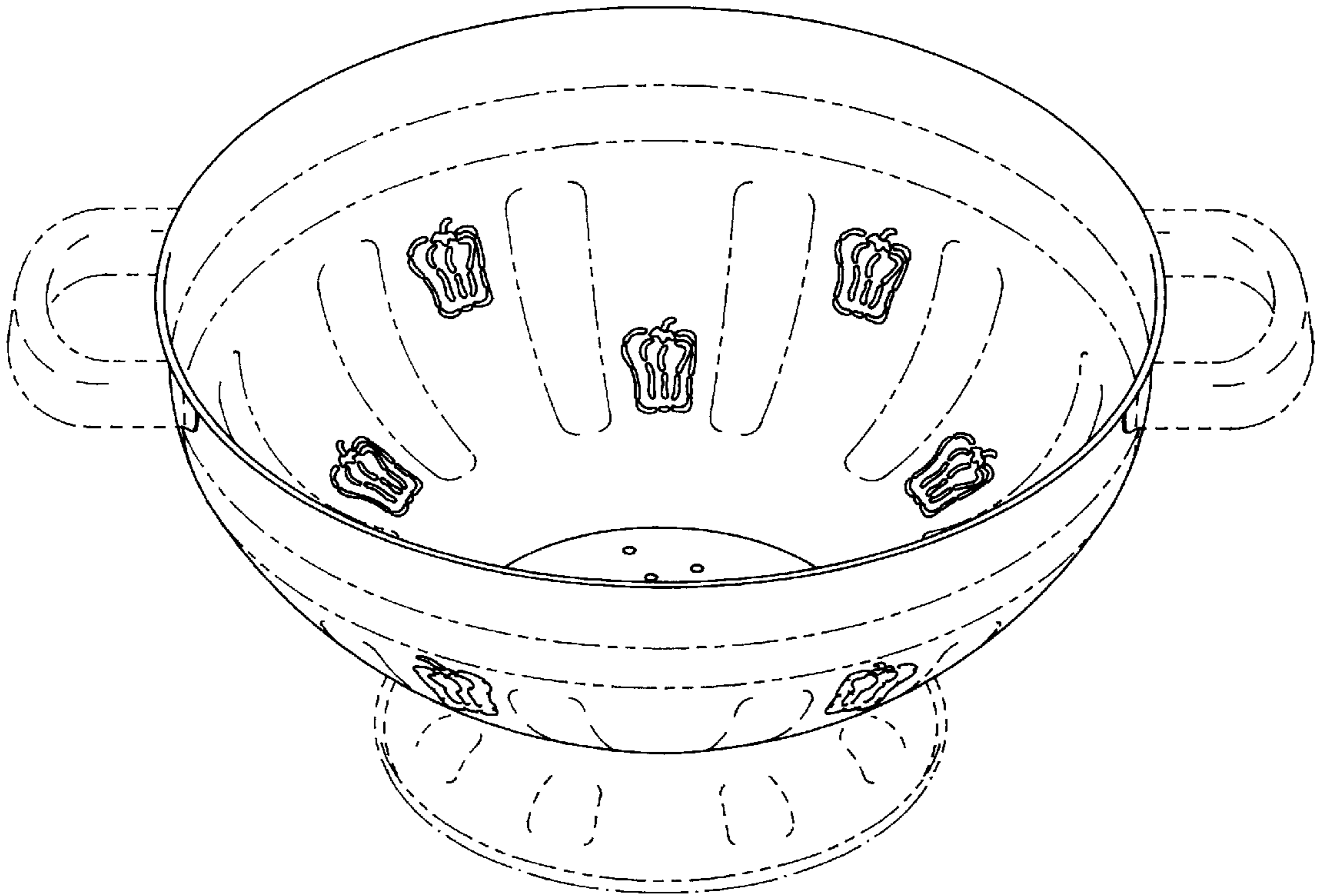


FIG. 8

