



US00D406214S

United States Patent [19]
Tisdale

[11] **Patent Number: Des. 406,214**

[45] **Date of Patent: **Mar. 2, 1999**

[54] **UTENSIL HOLDER**

[75] Inventor: **David W. Tisdale**, Southport, Conn.

[73] Assignee: **M. Kamenstein, Inc.**, Elmsford, N.Y.

[**] Term: **14 Years**

[21] Appl. No.: **83,654**

[22] Filed: **Feb. 13, 1998**

[51] **LOC (6) Cl.** **07-06**

[52] **U.S. Cl.** **D7/640**

[58] **Field of Search** D7/637-641; D19/75,
D19/77, 81, 85; 211/60.1, 70, 70.6, 70.7;
248/37.3

[56] **References Cited**

U.S. PATENT DOCUMENTS

- D. 33,945 3/1901 Ancona et al. D7/641
- D. 380,940 7/1997 Conner D7/640

Primary Examiner—Terry A. Wallace
Attorney, Agent, or Firm—Robert A. Koons, Jr.; James W. Bolcsak

[57] **CLAIM**

The ornamental design for a utensil holder, as shown.

DESCRIPTION

FIG. 1 is a perspective view of a utensil holder showing my new design;

FIG. 2 is a front elevational view thereof;

FIG. 3 is a top plan view thereof;

FIG. 4 is a right side elevational view thereof;

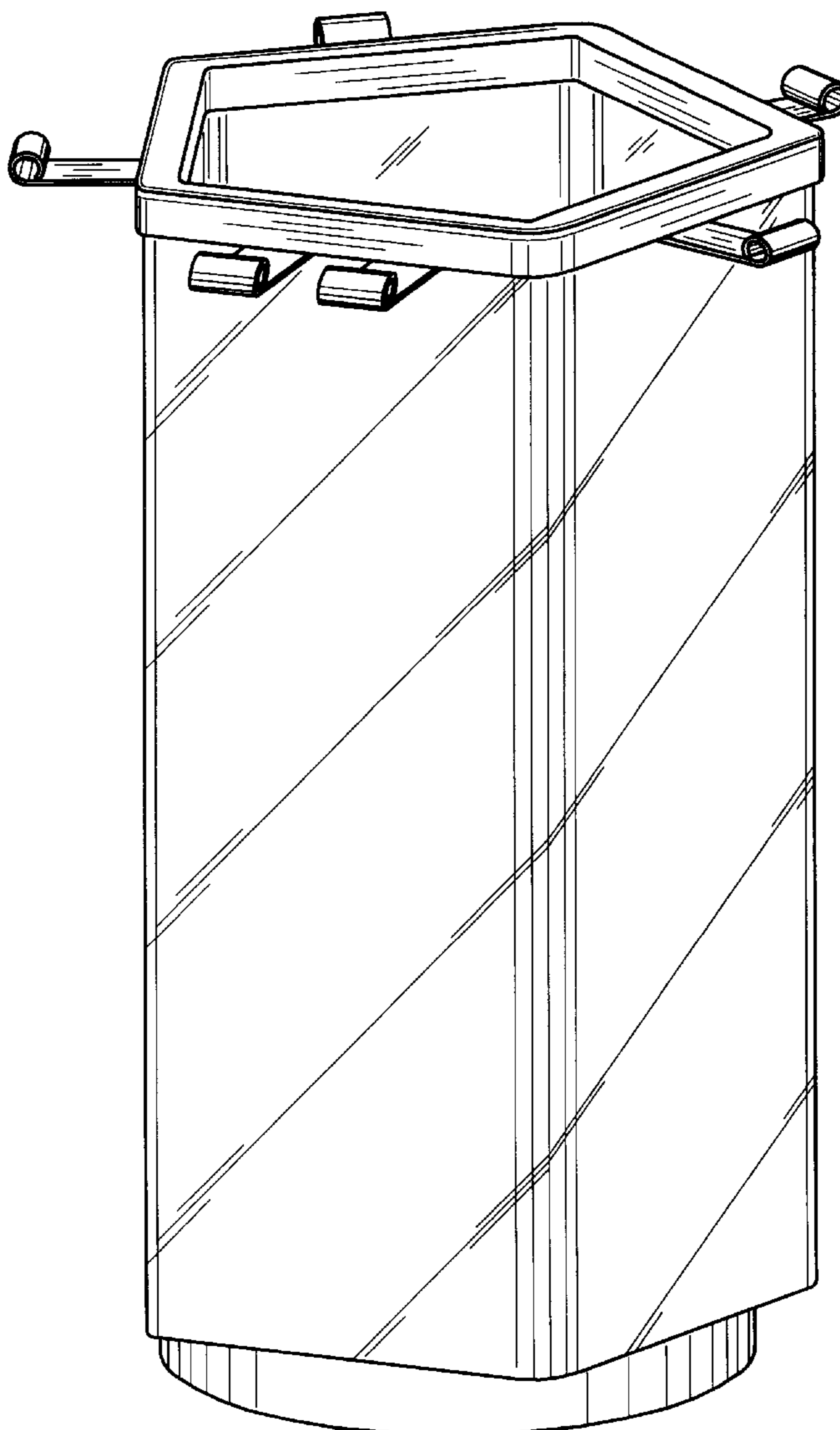
FIG. 5 is a left side elevational view thereof;

FIG. 6 is a back elevational view thereof;

FIG. 7 is a bottom plan view thereof; and,

FIG. 8 is a sectional view taken at the midpoint of the long axis of the utensil holder.

1 Claim, 8 Drawing Sheets



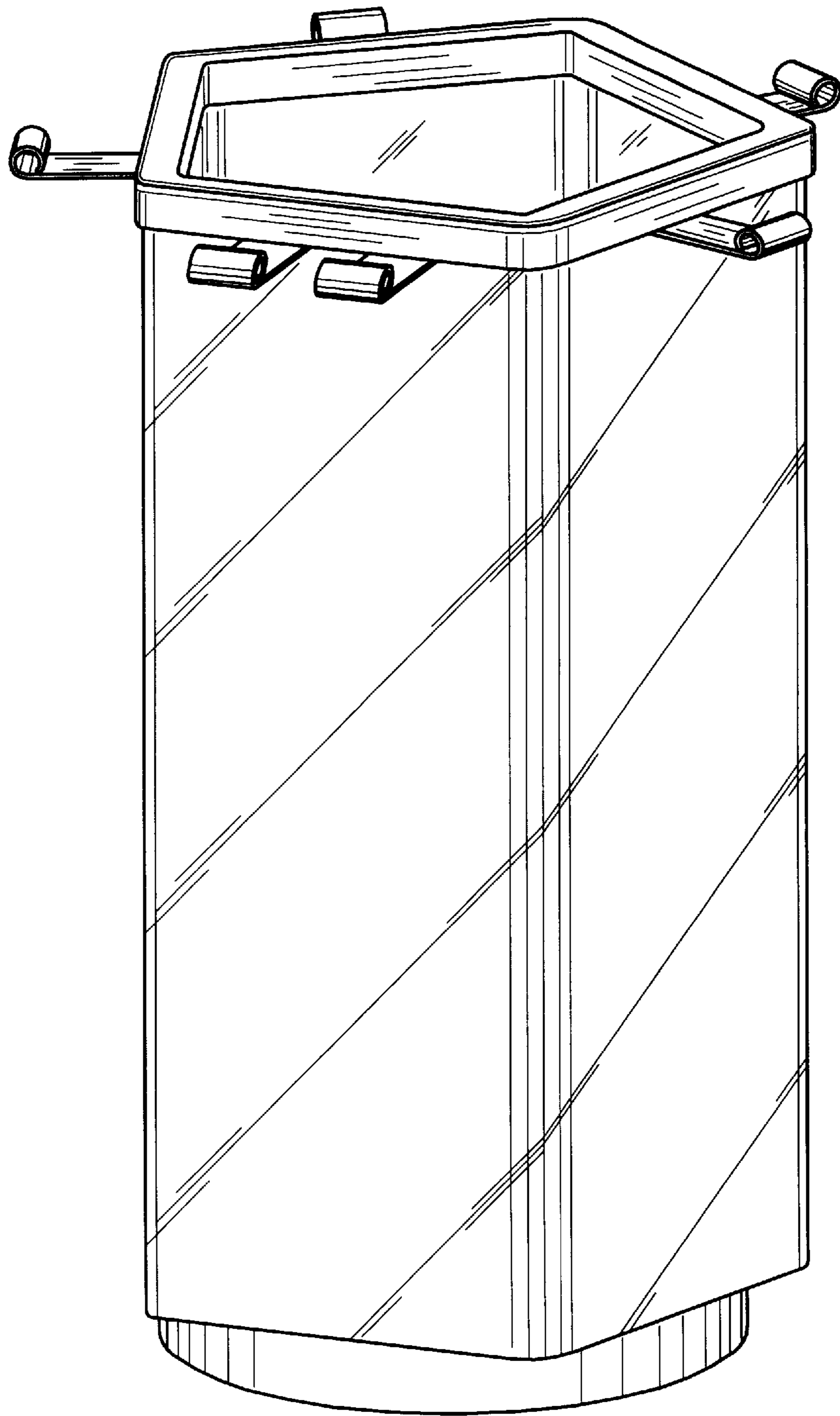


Fig. 1

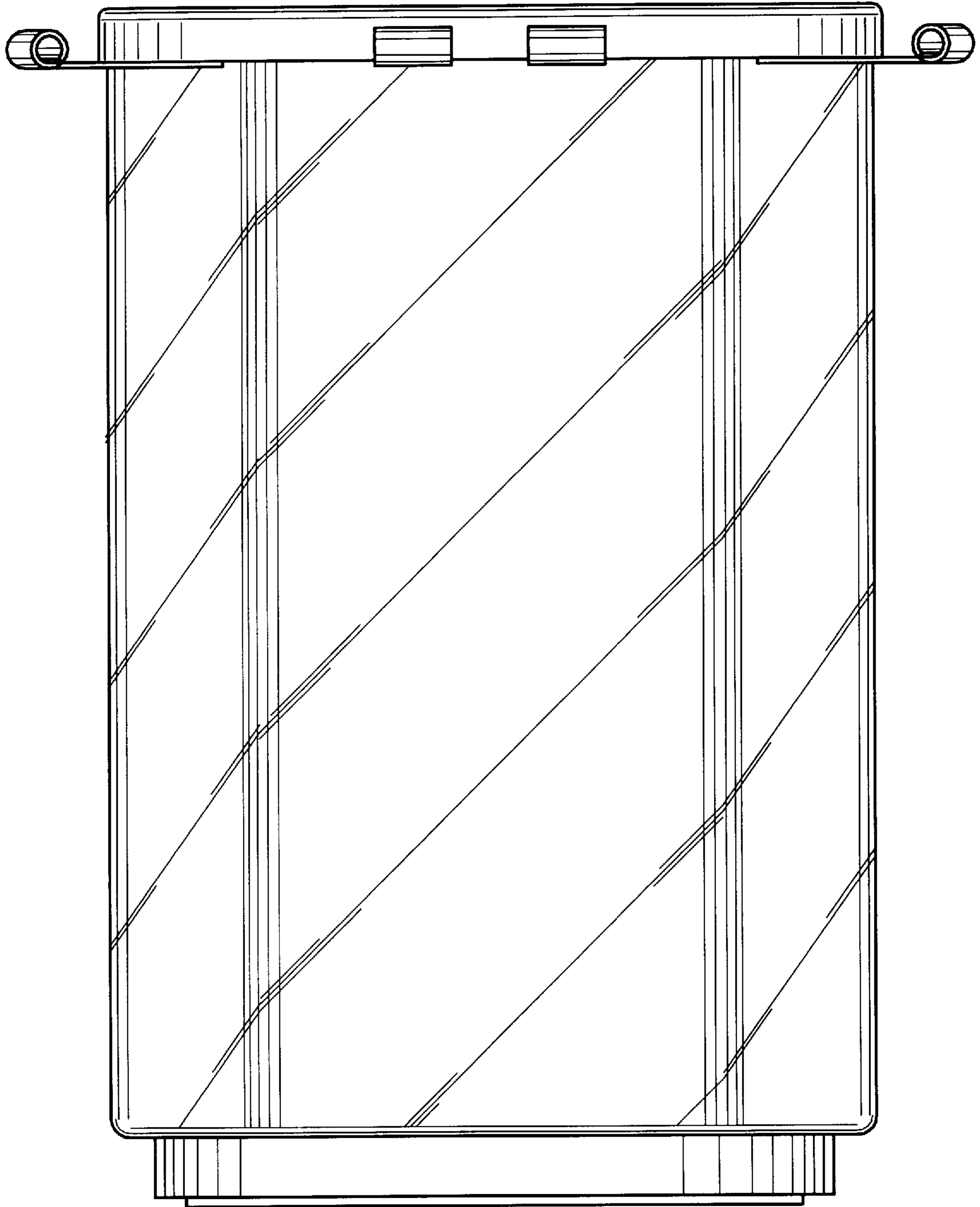


Fig. 2

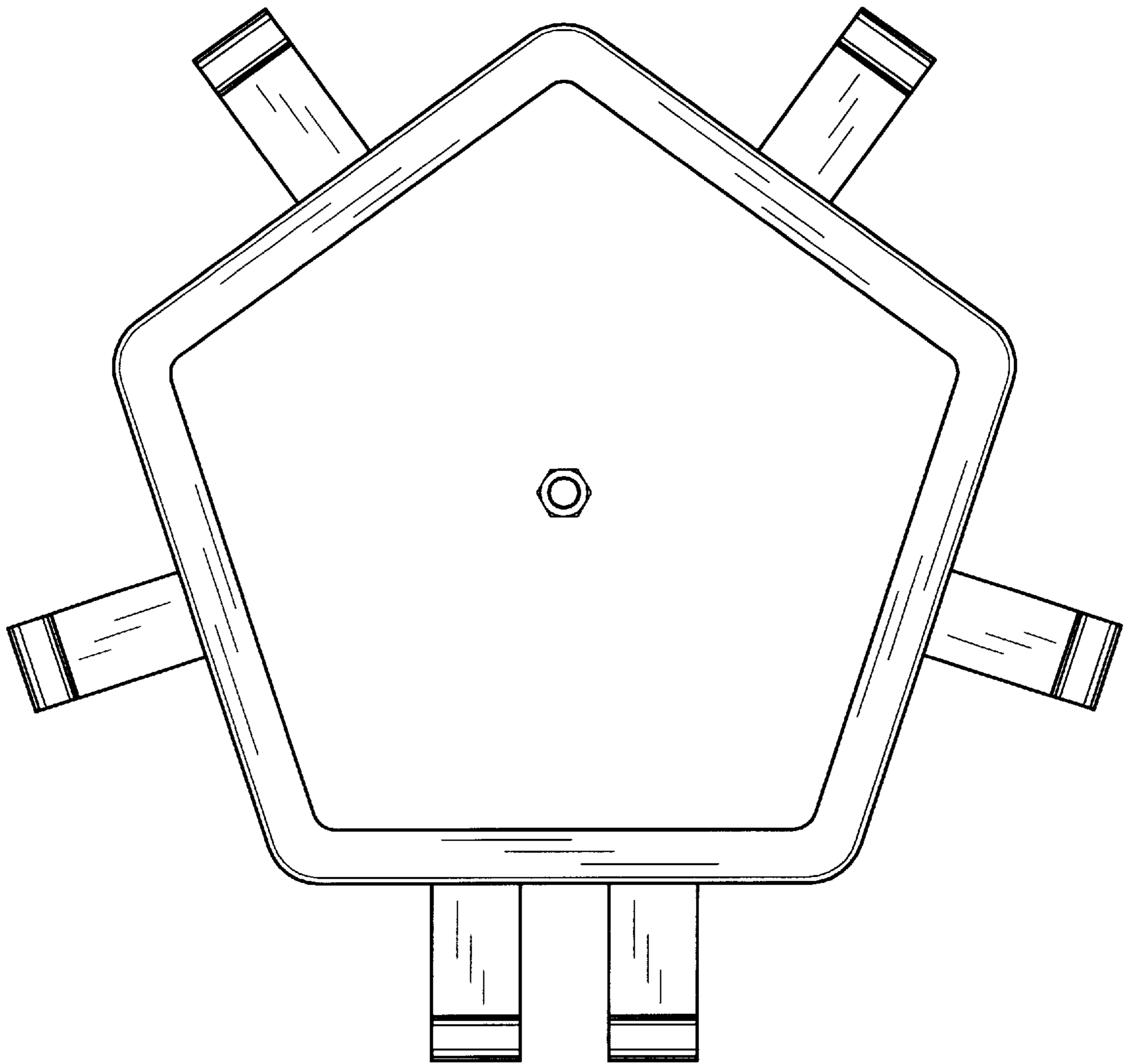


Fig. 3

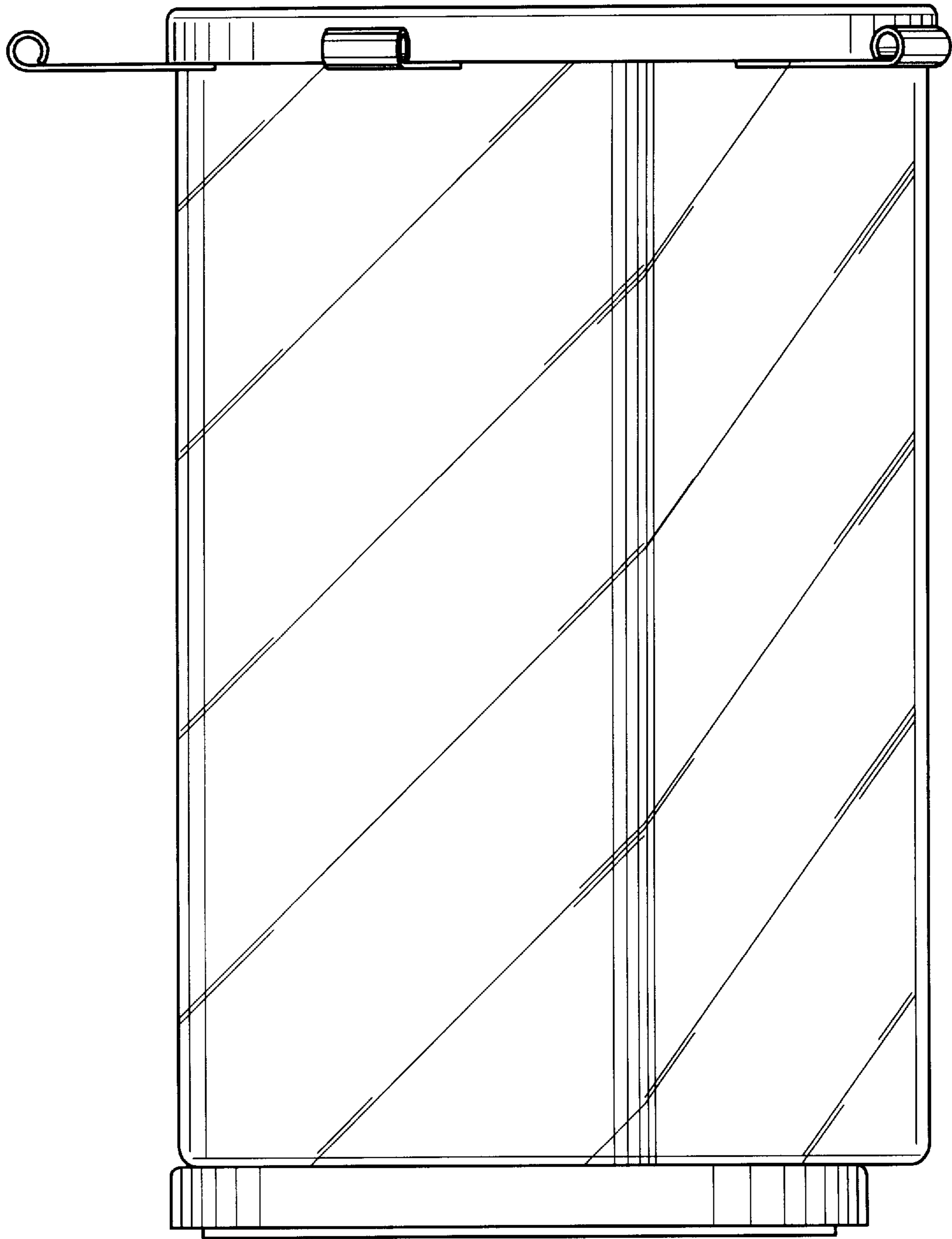


Fig. 4

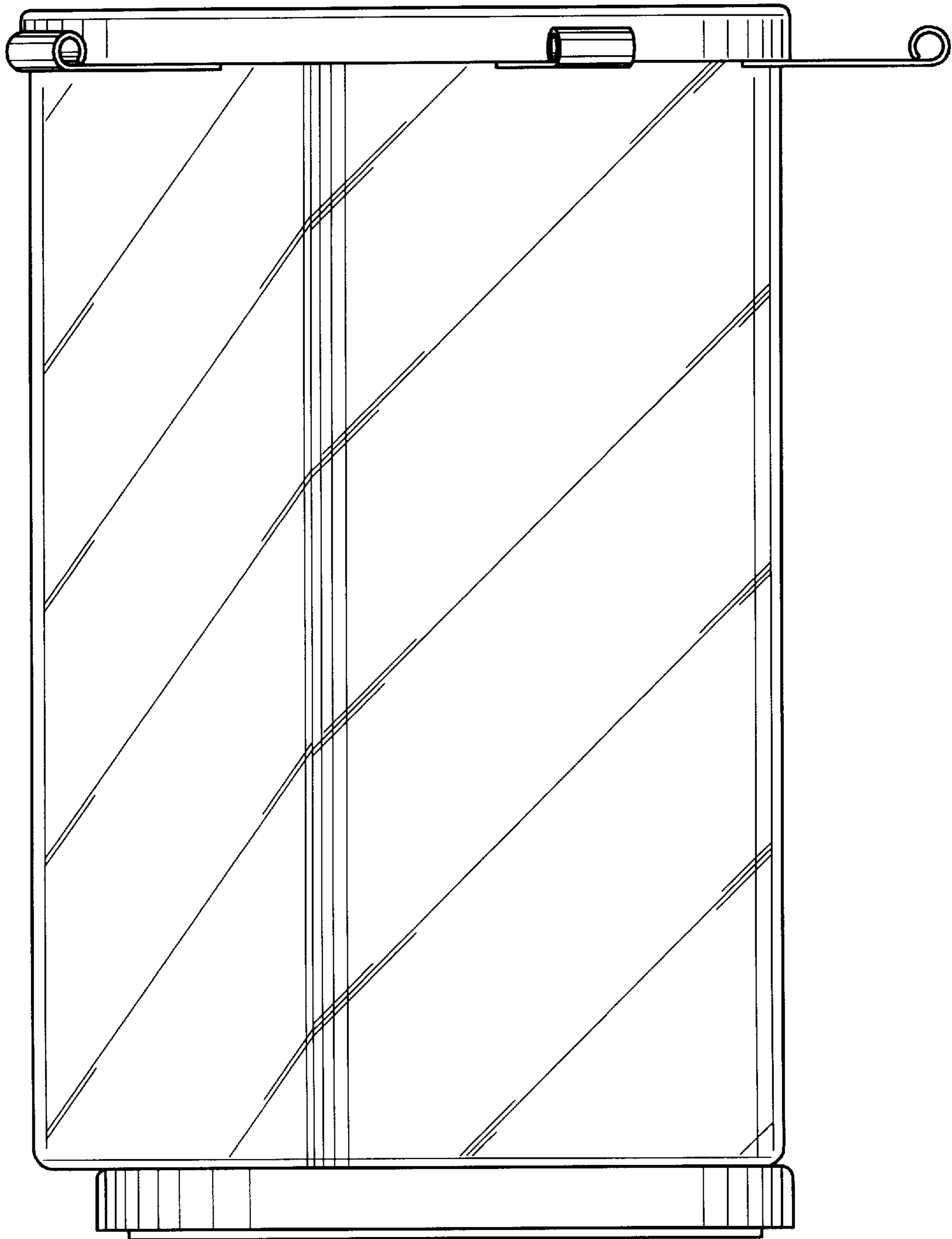


Fig. 5

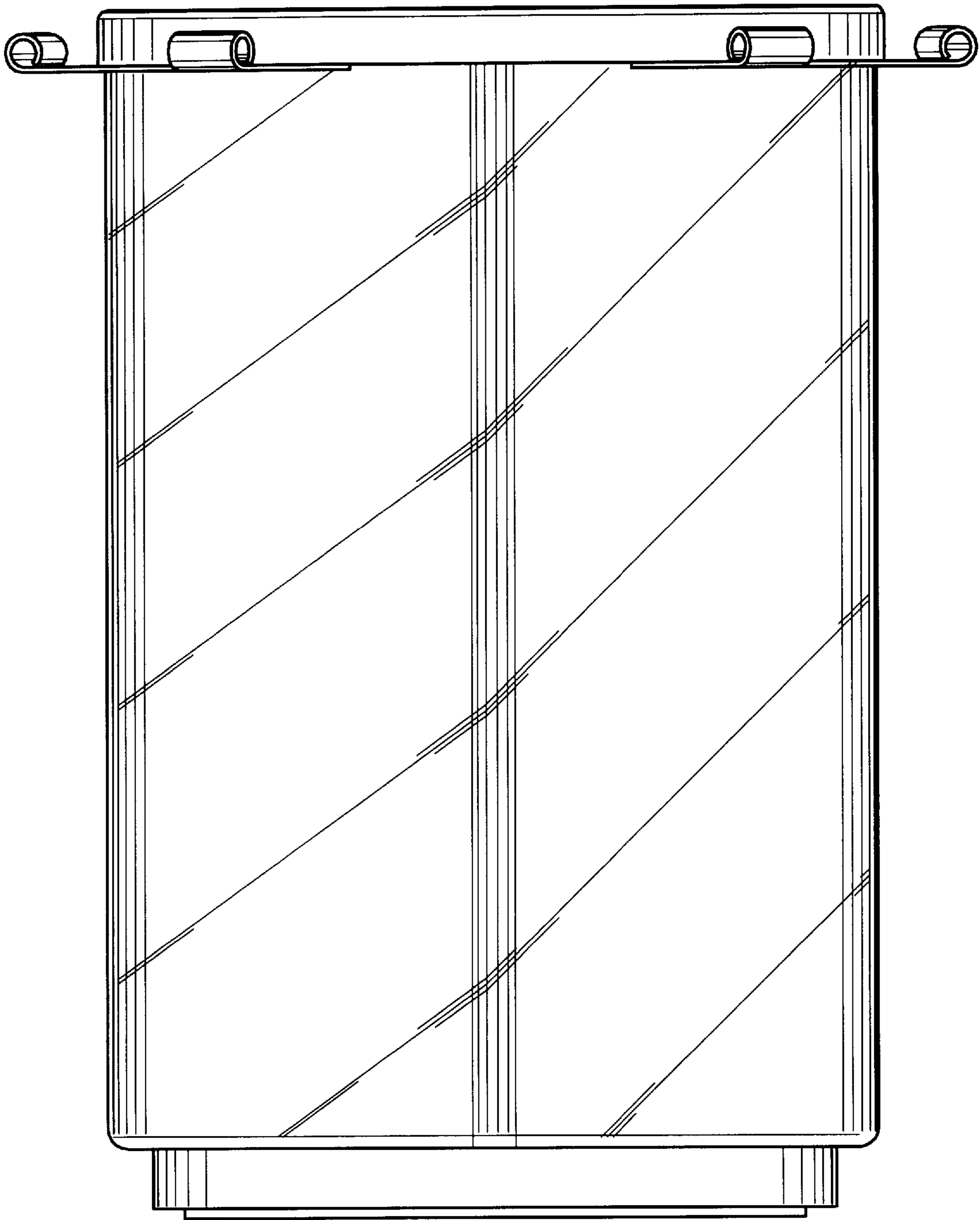


Fig. 6

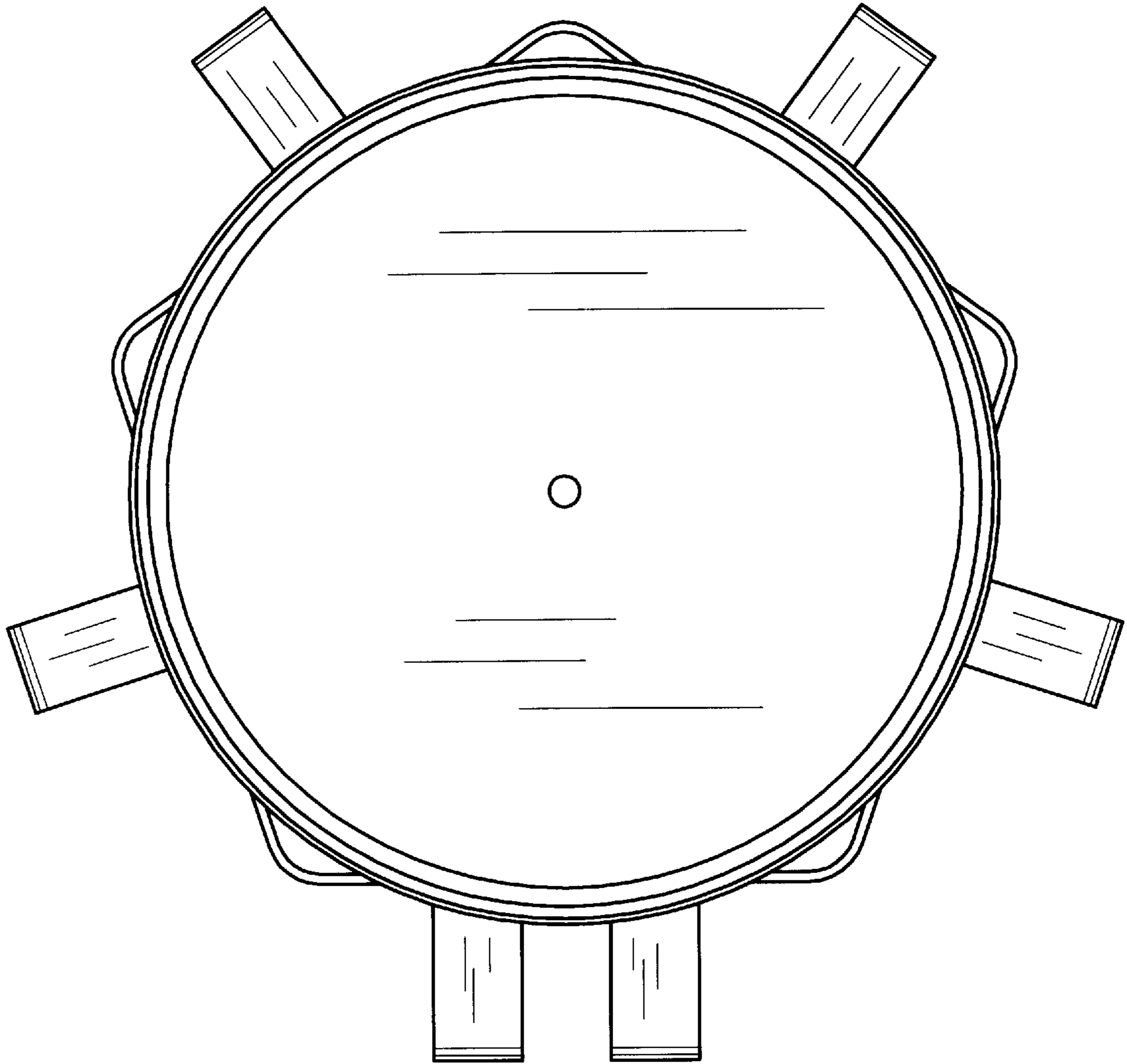


Fig. 7

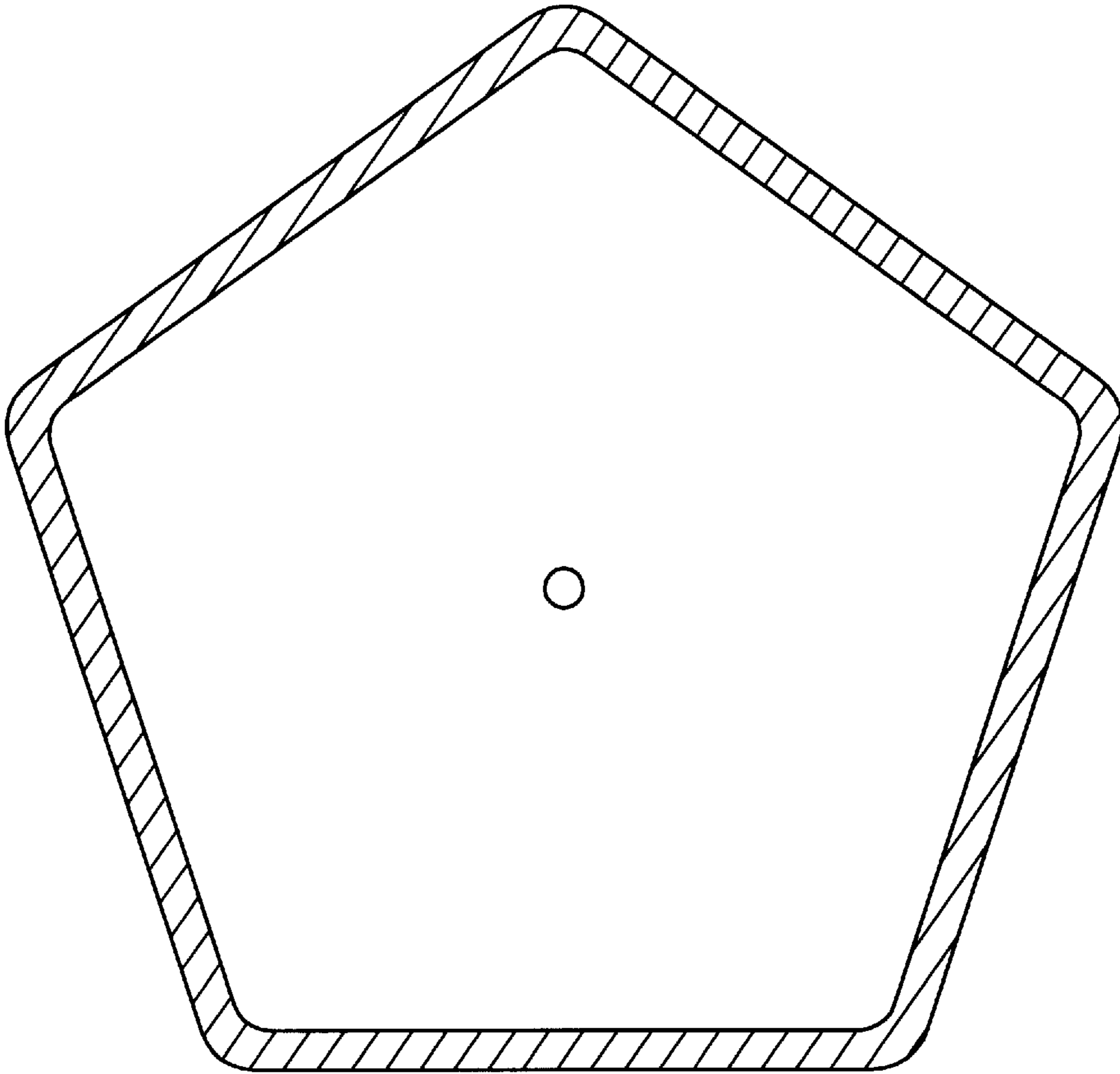


Fig. 8