



US00D406212S

United States Patent [19]
Jennings

[11] **Patent Number: Des. 406,212**

[45] **Date of Patent: **Mar. 2, 1999**

[54] **INFLATABLE CONTAINER**

[76] Inventor: **Don Michael Jennings**, 6602
Peachwood, Arlington, Tex. 76016

[**] Term: **14 Years**

[21] Appl. No.: **50,642**

[22] Filed: **Feb. 20, 1996**

[51] **LOC (6) Cl. 07-01**

[52] **U.S. Cl. D7/565; D7/584**

[58] **Field of Search** D7/560, 561, 562,
D7/565, 584, 586, 601, 602, 605, 624,
545, 559, 672; 383/3, 33, 104; D1/118;
D6/604; 249/134

[56] **References Cited**

U.S. PATENT DOCUMENTS

D. 57,181	3/1921	Beiswanger	D7/565
D. 174,832	5/1955	Nowak	D7/545
D. 214,130	5/1969	Appel	D7/565
D. 230,120	1/1974	Beckman	D7/565
D. 365,493	12/1995	Lundberg	D7/354
D. 394,188	5/1998	Reynaert et al.	D7/584
D. 394,513	5/1998	Davis	D7/584 X

993,174	5/1911	Kidd	.	
3,680,828	8/1972	Swett	249/134
3,742,994	7/1973	Pensak	.	
4,089,358	5/1978	Korson	.	
4,612,781	9/1986	Swerdon	62/457.1
4,705,085	11/1987	Brown	.	
4,858,755	8/1989	Kuivanen	.	
5,135,132	8/1992	Potochnik	.	

Primary Examiner—M. N. Pandozzi
Attorney, Agent, or Firm—Sidley & Austin

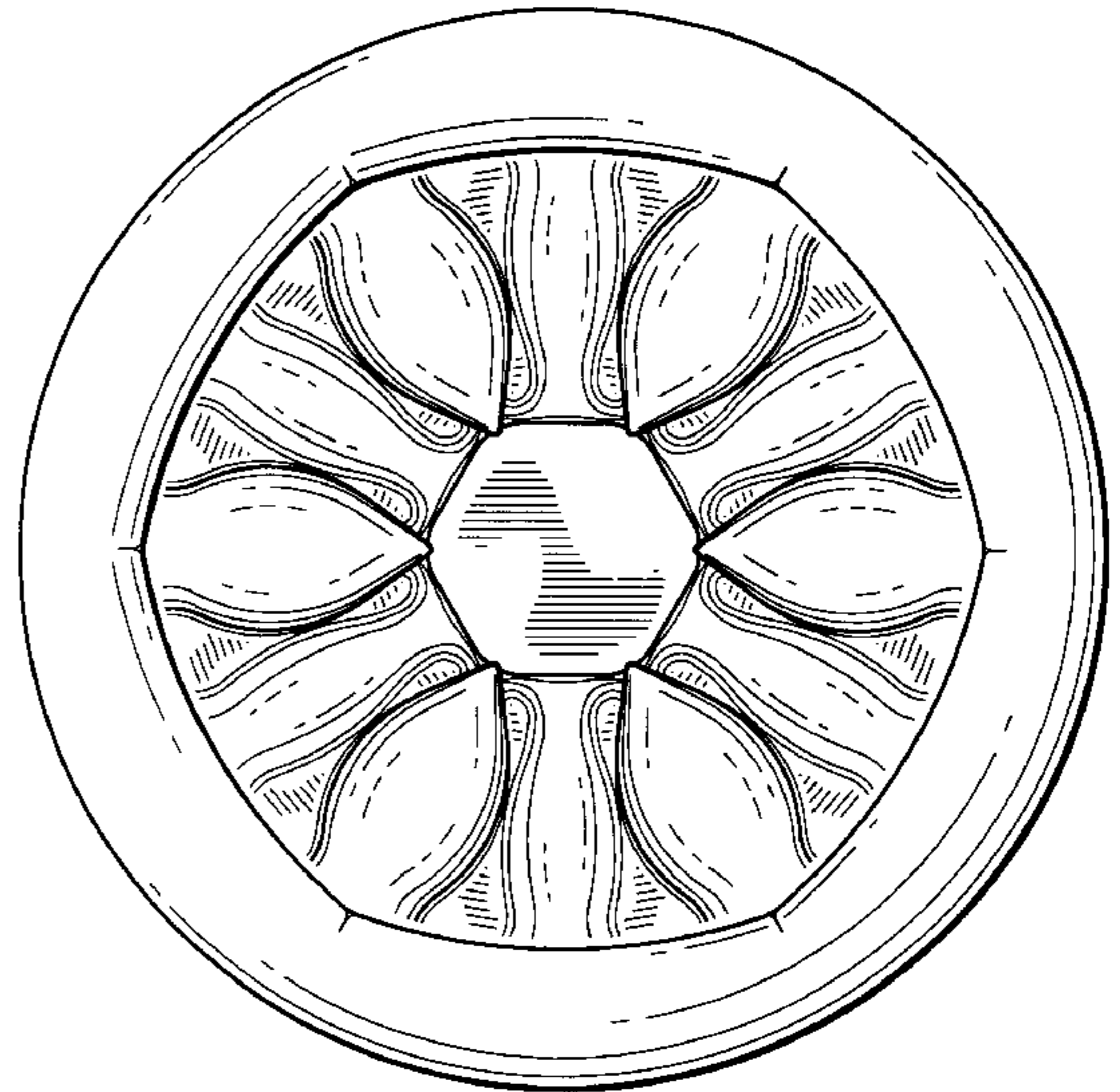
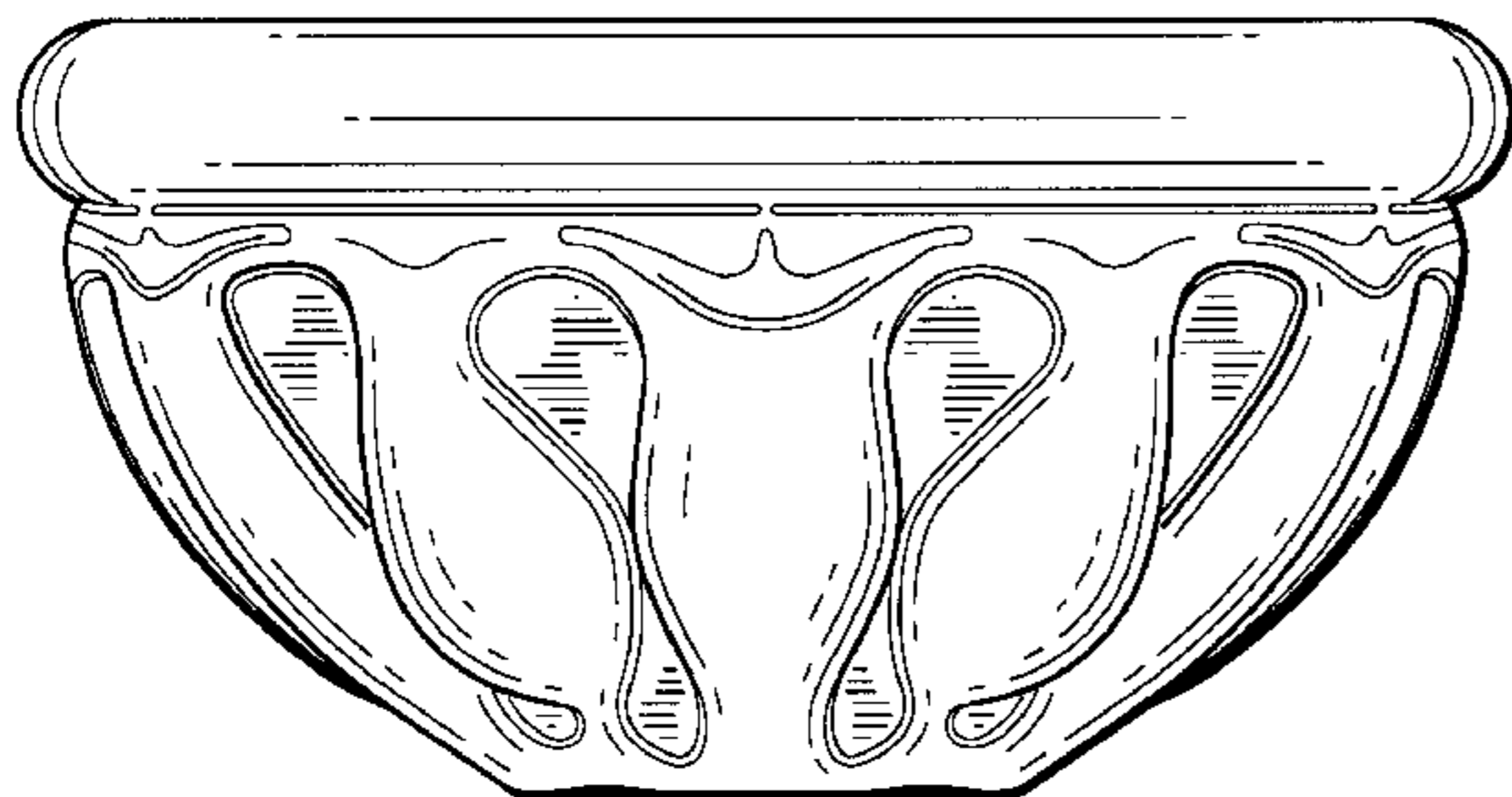
[57] **CLAIM**

The ornamental design for an inflatable container, as shown and described.

DESCRIPTION

FIG. 1 is a perspective view of an inflatable container embodying my design;
FIG. 2 is a front view thereof, the rear view being identical thereto;
FIG. 3 is a right side view thereof, the left side view being identical thereto;
FIG. 4 is a top view thereof; and,
FIG. 5 is a bottom view thereof.

1 Claim, 2 Drawing Sheets



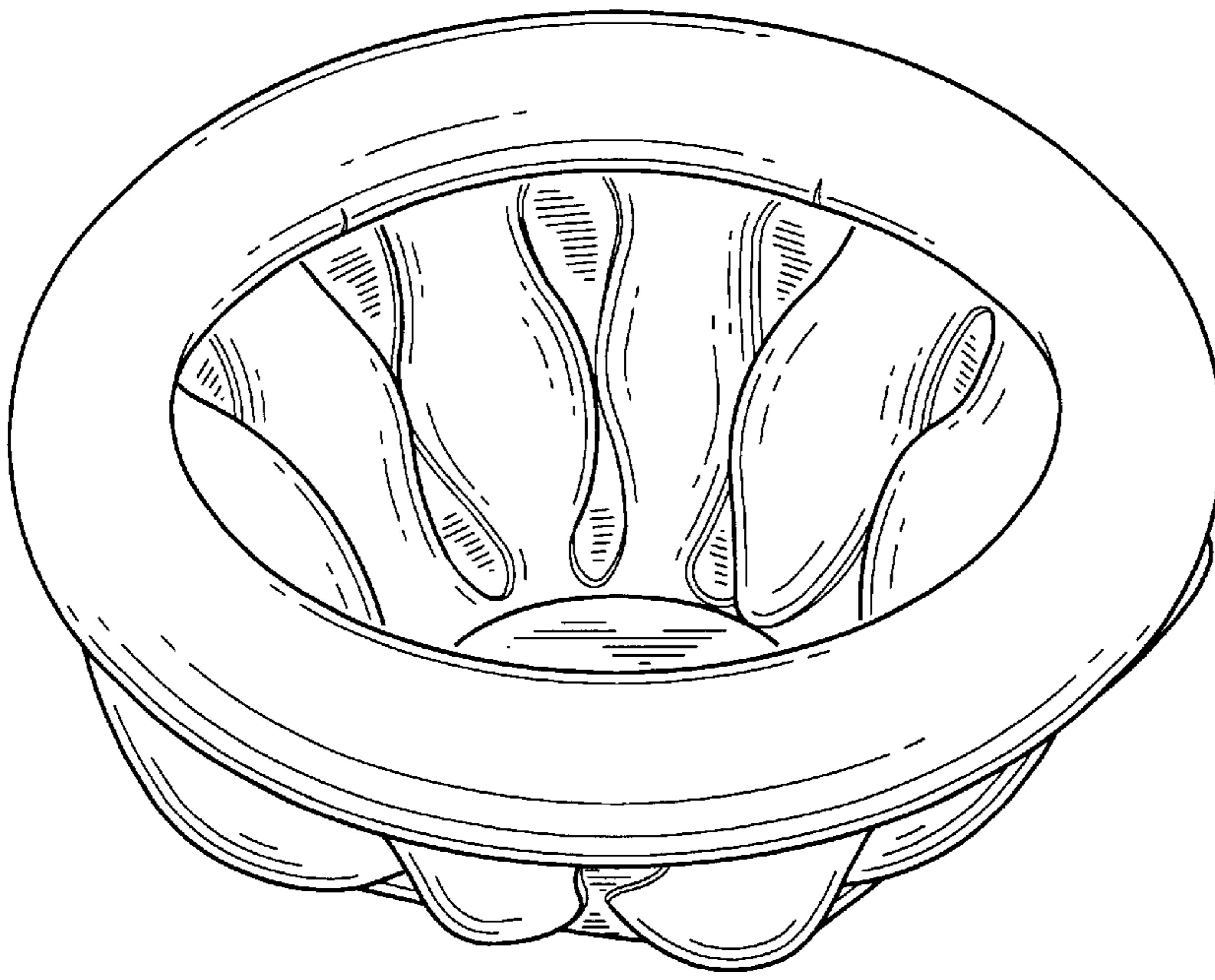


FIG. 1

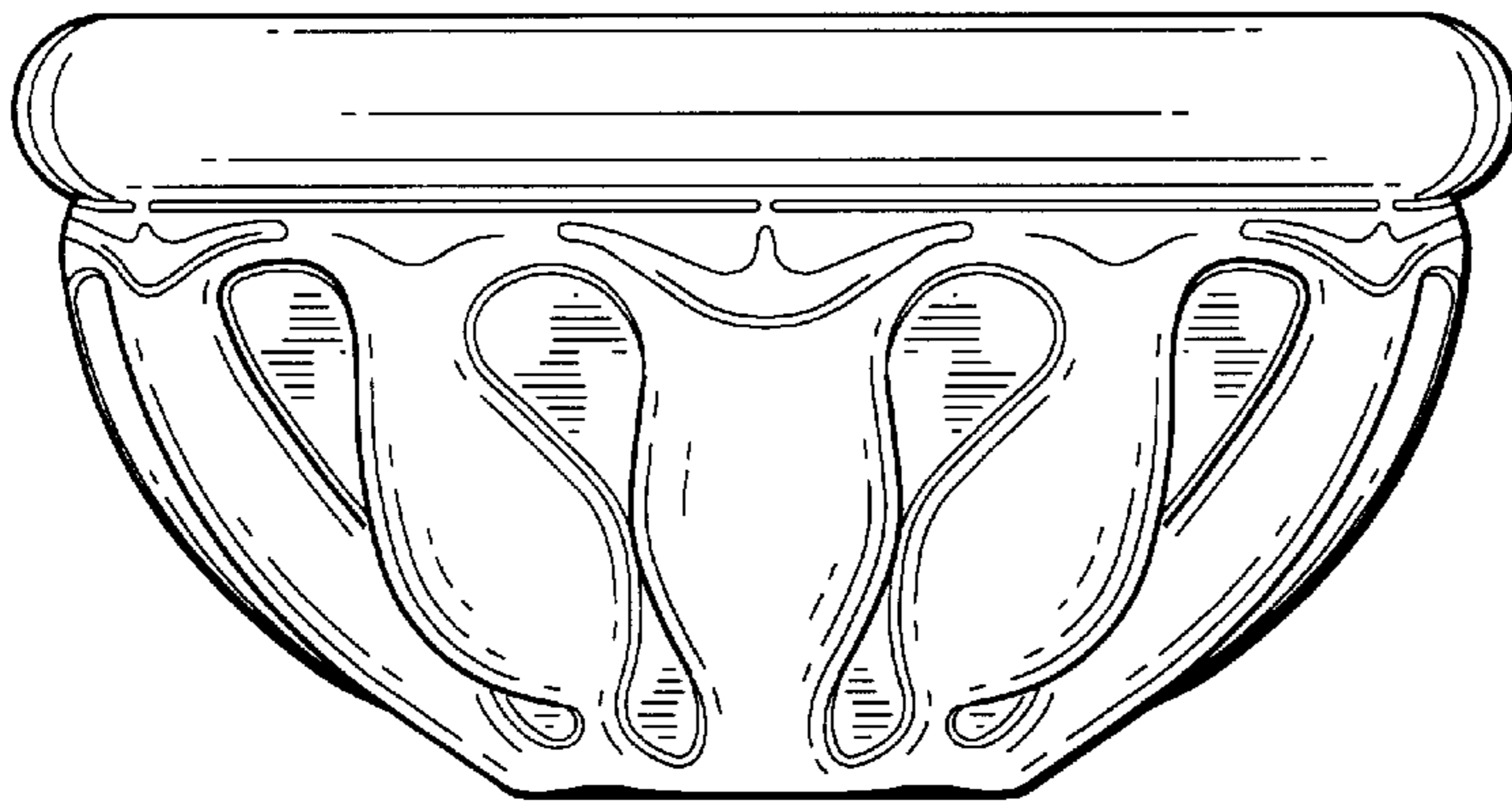


FIG. 2

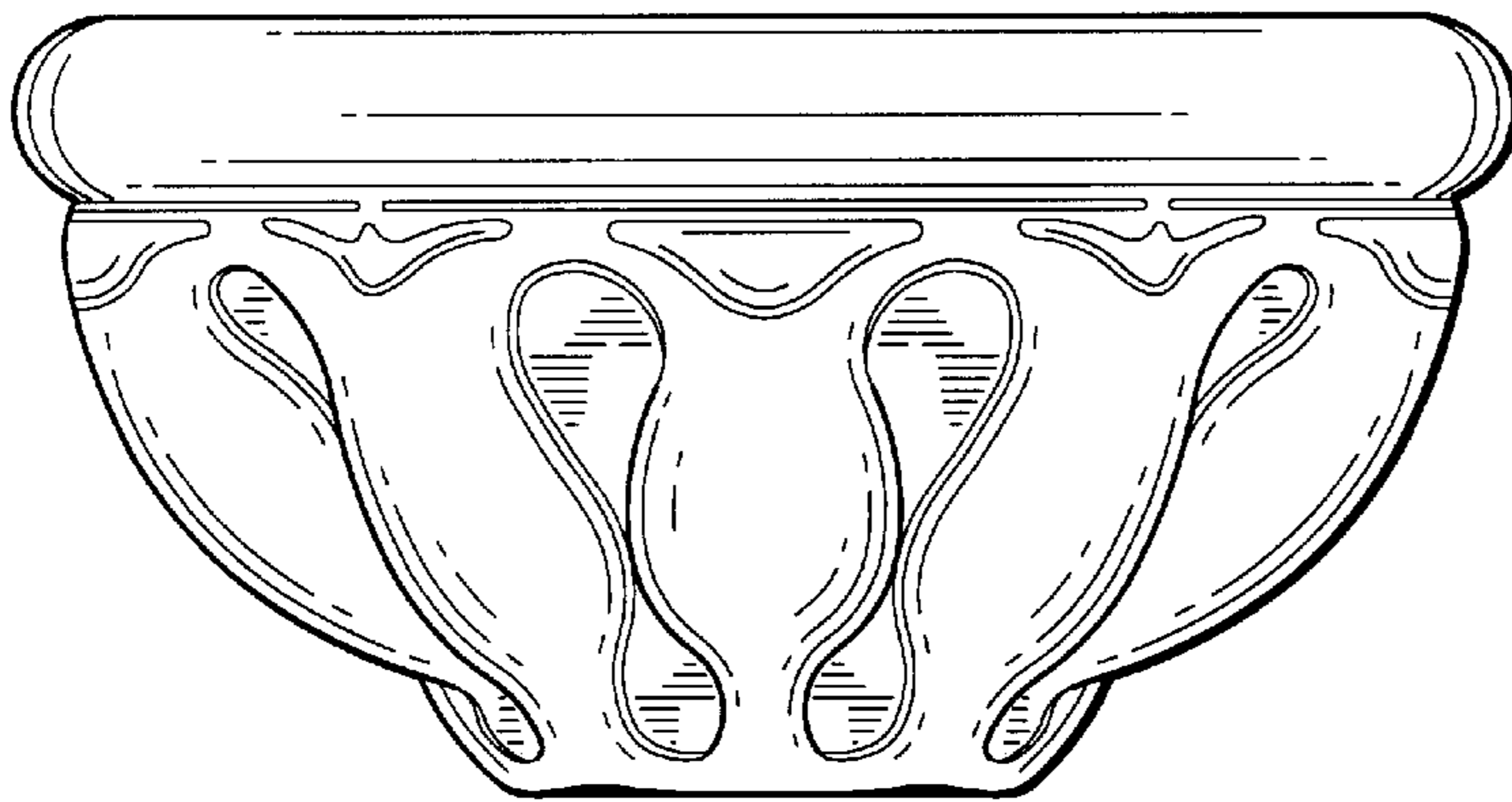


FIG. 3

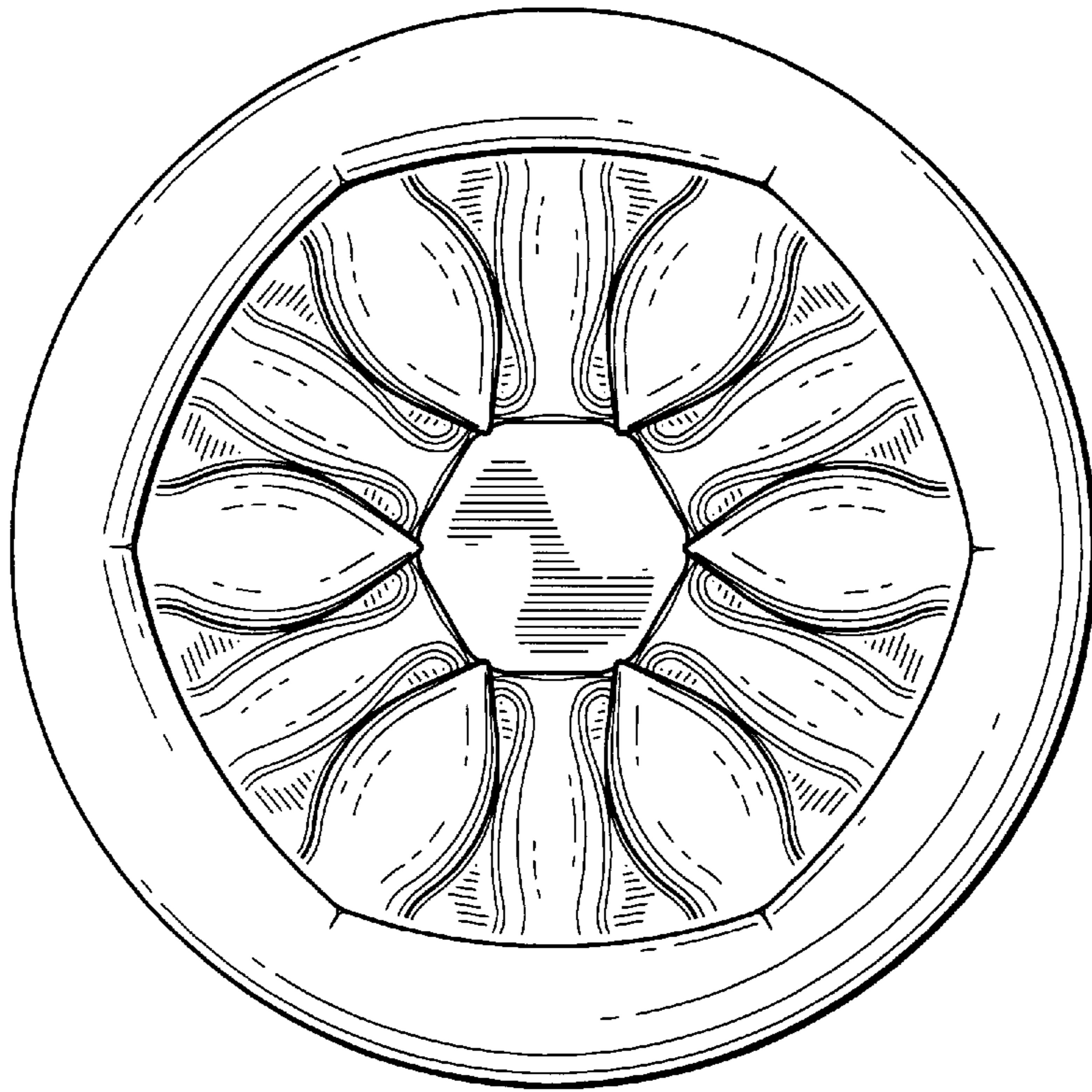


FIG. 4

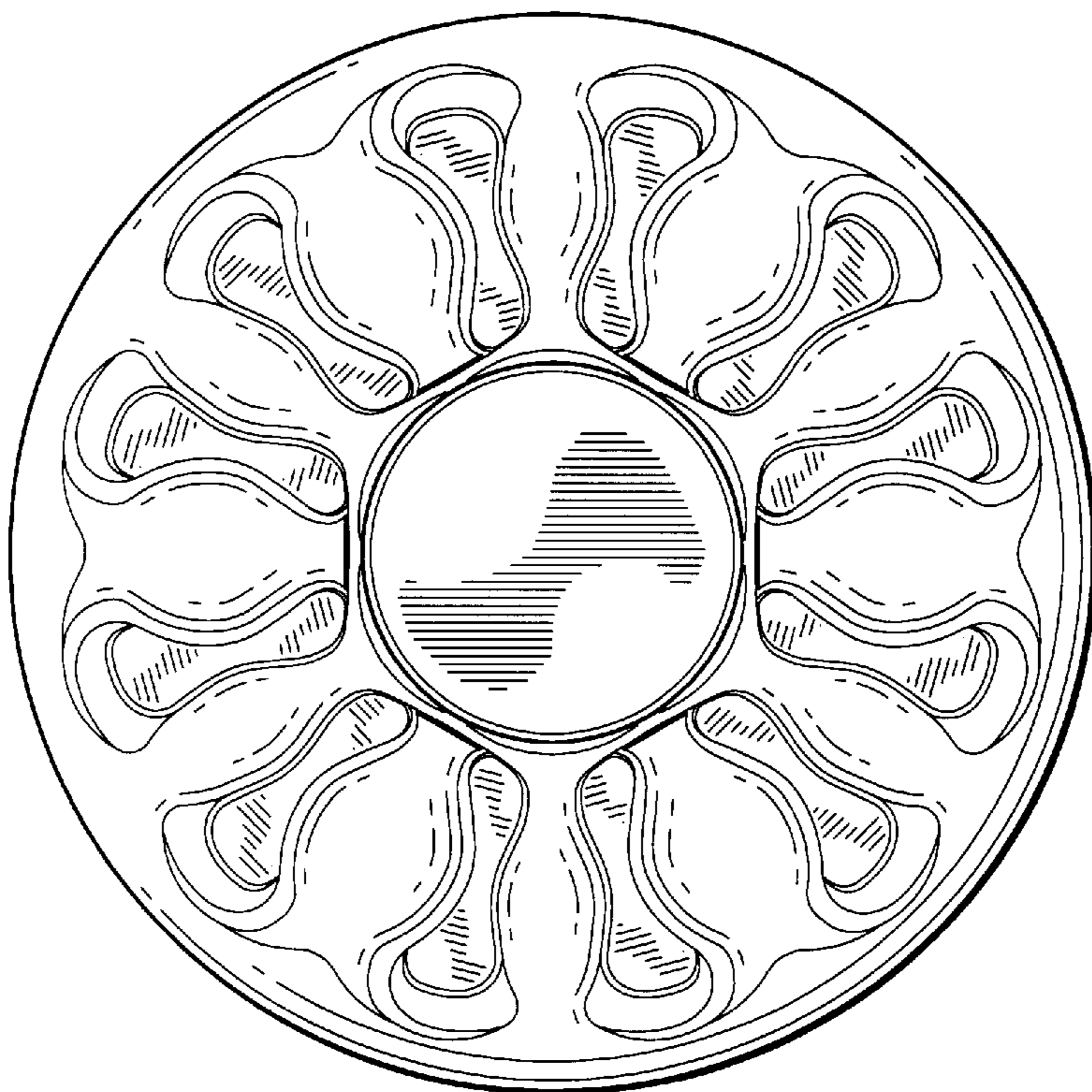


FIG. 5