



US00D406211S

United States Patent [19]

Kao

[11] **Patent Number: Des. 406,211**

[45] **Date of Patent: **Mar. 2, 1999**

[54] **BOX FOR THE ARRANGEMENT OF COMPACT DISKS**

[76] Inventor: **Kuo-Ming Kao**, 23F-3, No. 508, Sec. 5, Chung-Hsiao E. Rd., Taipei, Taiwan

[**] Term: **14 Years**

[21] Appl. No.: **80,061**

[22] Filed: **Nov. 26, 1997**

[51] **LOC (6) Cl. 06-04**

[52] **U.S. Cl. D6/632; D6/629**

[58] **Field of Search D6/407, 408, 626, D6/627, 629, 631, 632, 634, 635; D19/33, 75; 206/307, 308.1, 312, 313**

[56] **References Cited**

U.S. PATENT DOCUMENTS

D. 281,464	11/1985	Drake	D19/76
D. 283,957	5/1986	Stravitz	D6/407
D. 341,713	11/1993	Tse	D6/631
D. 357,844	5/1995	Ho	D19/75
D. 378,721	4/1997	Ramsey et al.	D6/407
D. 382,436	8/1997	Goekler	D16/76

4,729,475	3/1988	Kurkjian et al.	206/425
4,749,098	6/1988	Vrdi	206/425
5,586,650	12/1996	Yeh	206/425
5,590,770	1/1997	Yeh	206/425

Primary Examiner—Celia Murphy
Attorney, Agent, or Firm—Dougherty & Troxell

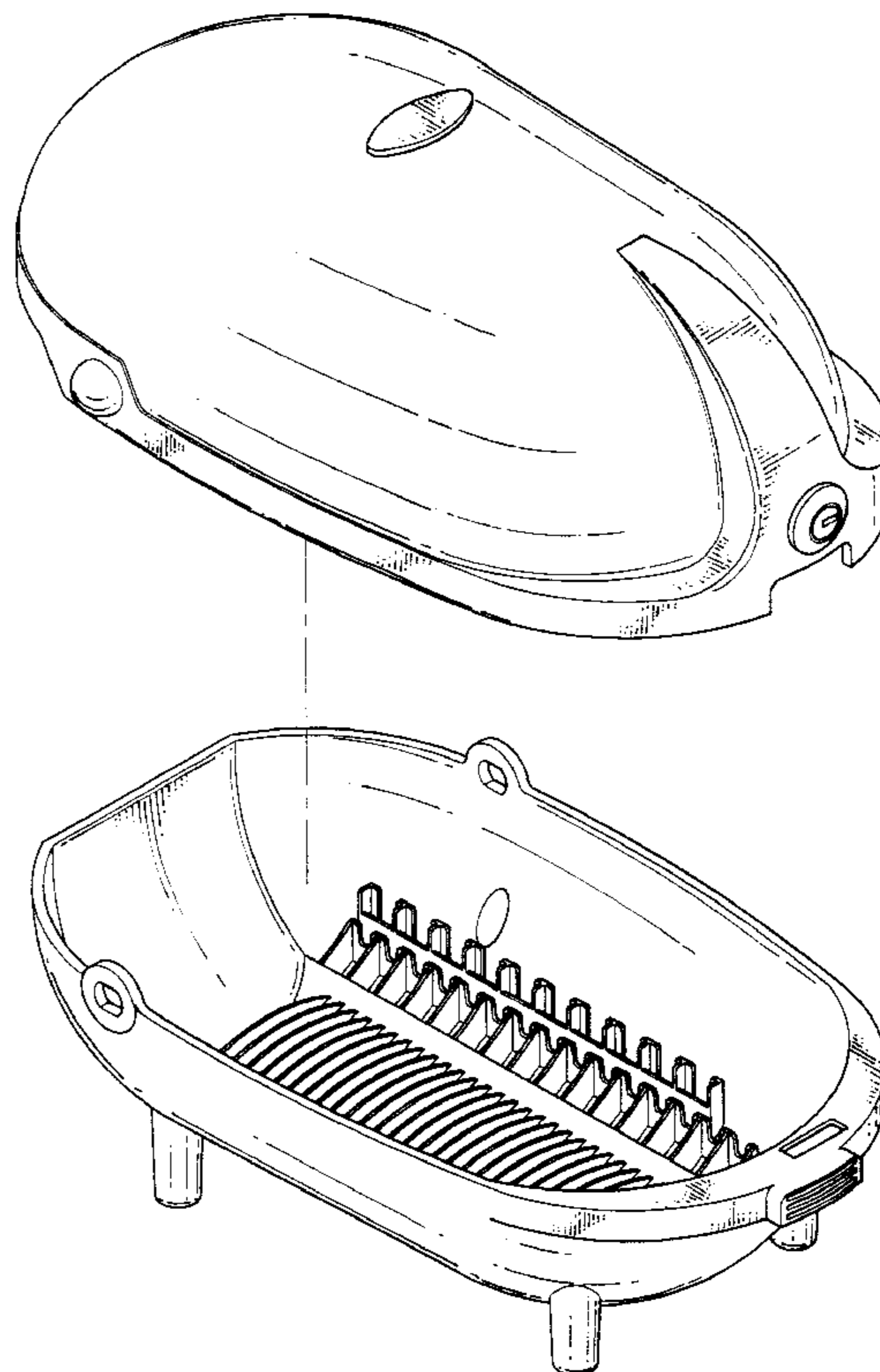
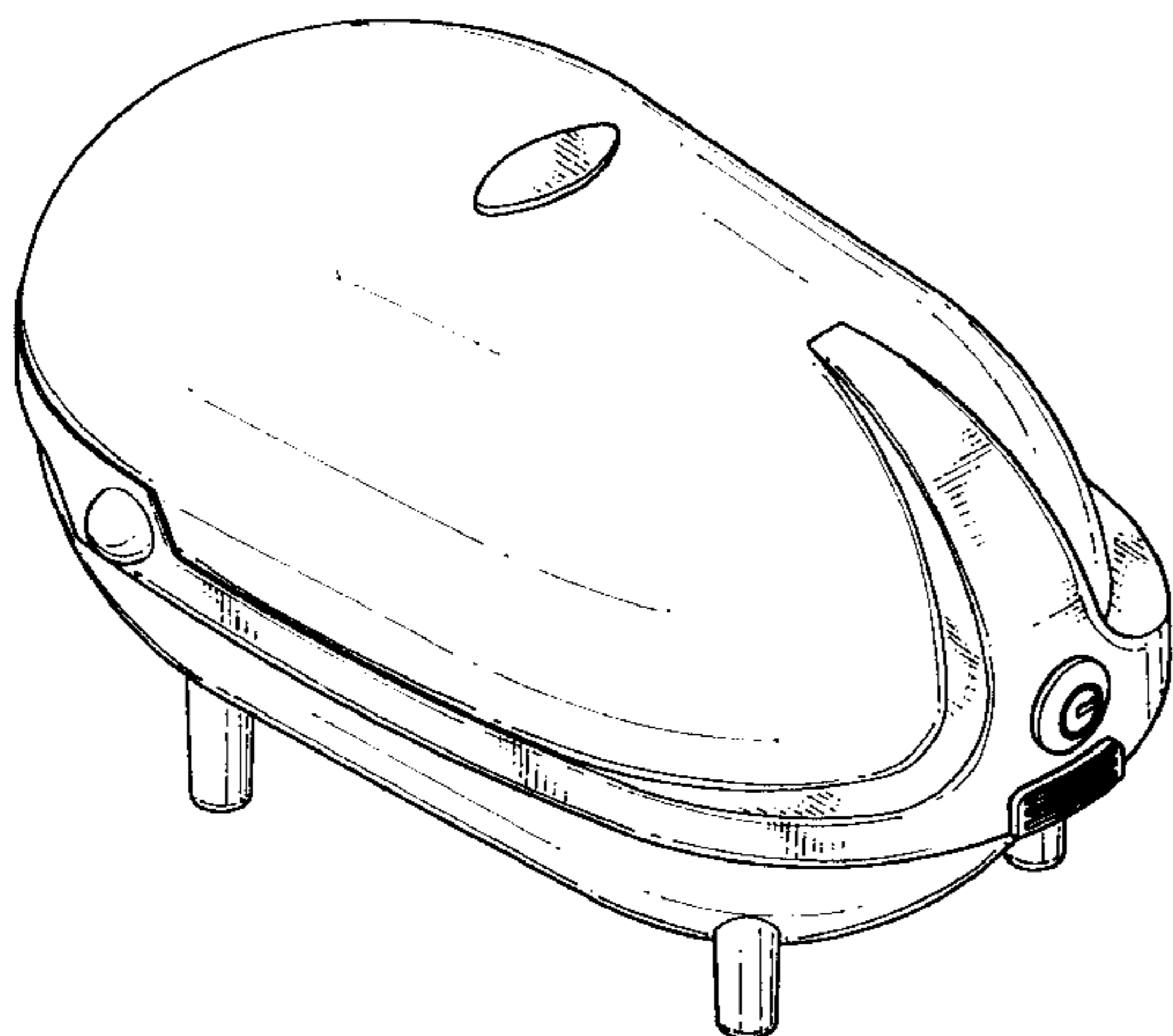
[57] **CLAIM**

The ornamental design for the box for the arrangement of compact disks, as shown and described.

DESCRIPTION

FIG. 1 is a perspective view of the box for the arrangement of compact disks;
FIG. 2 is a front elevational view;
FIG. 3 is a rear elevational view;
FIG. 4 is a left side elevational view;
FIG. 5 is a right side elevational view;
FIG. 6 is a top plan view;
FIG. 7 is a bottom plan view; and,
FIG. 8 is an exploded perspective view thereof, the inner portion which is not shown being a mirror image of the visible side.

1 Claim, 8 Drawing Sheets



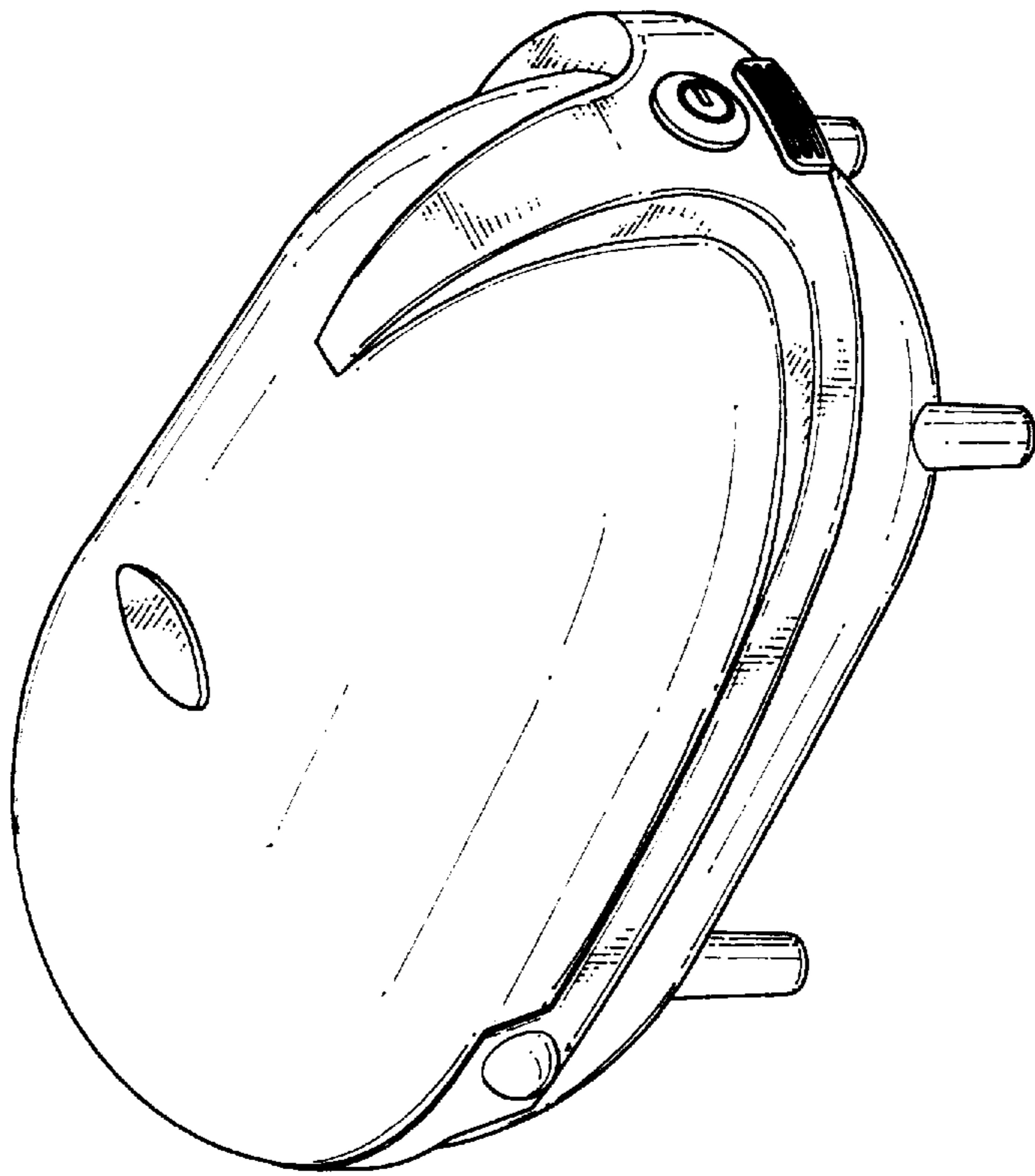


FIG. 1

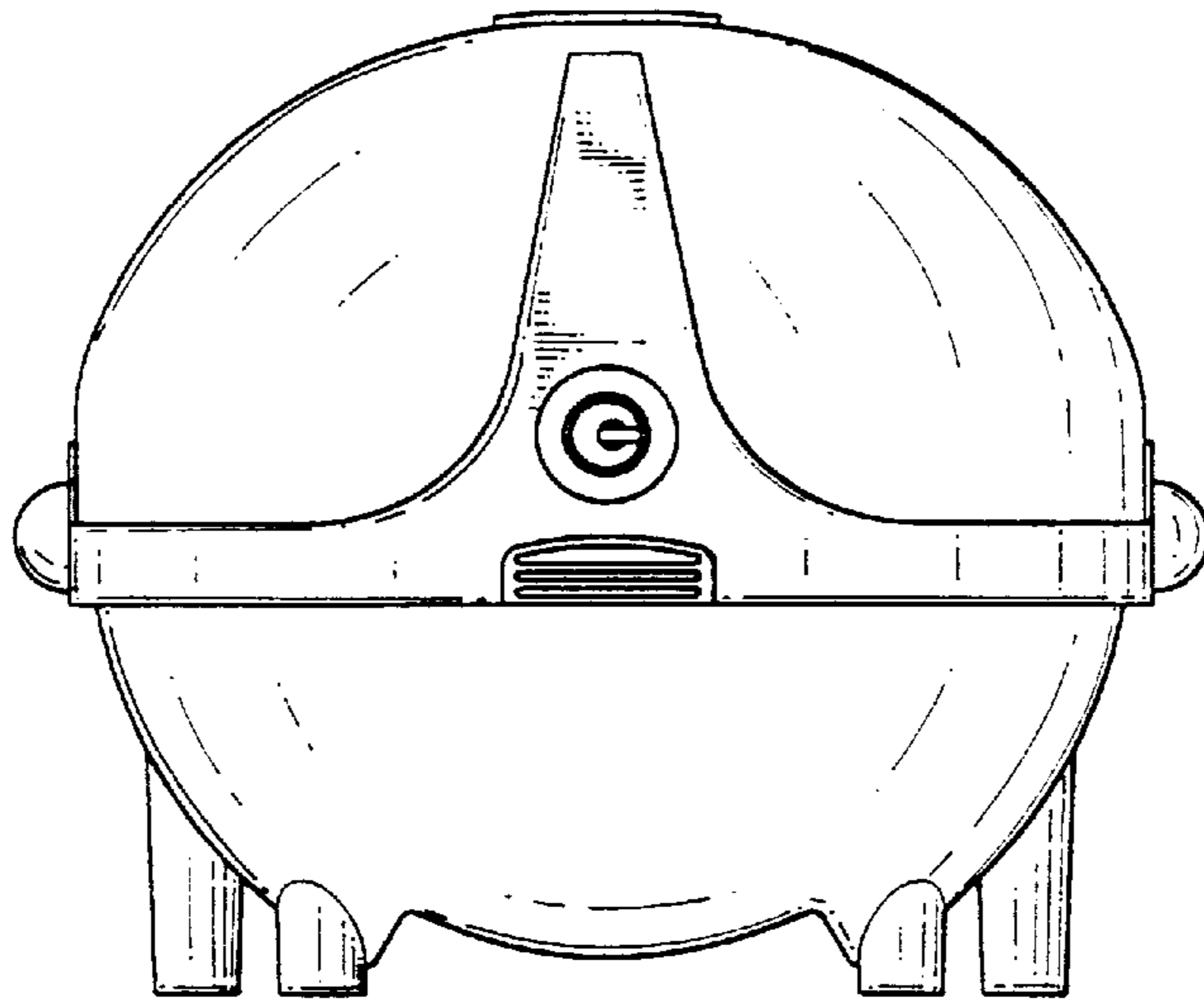


FIG. 2

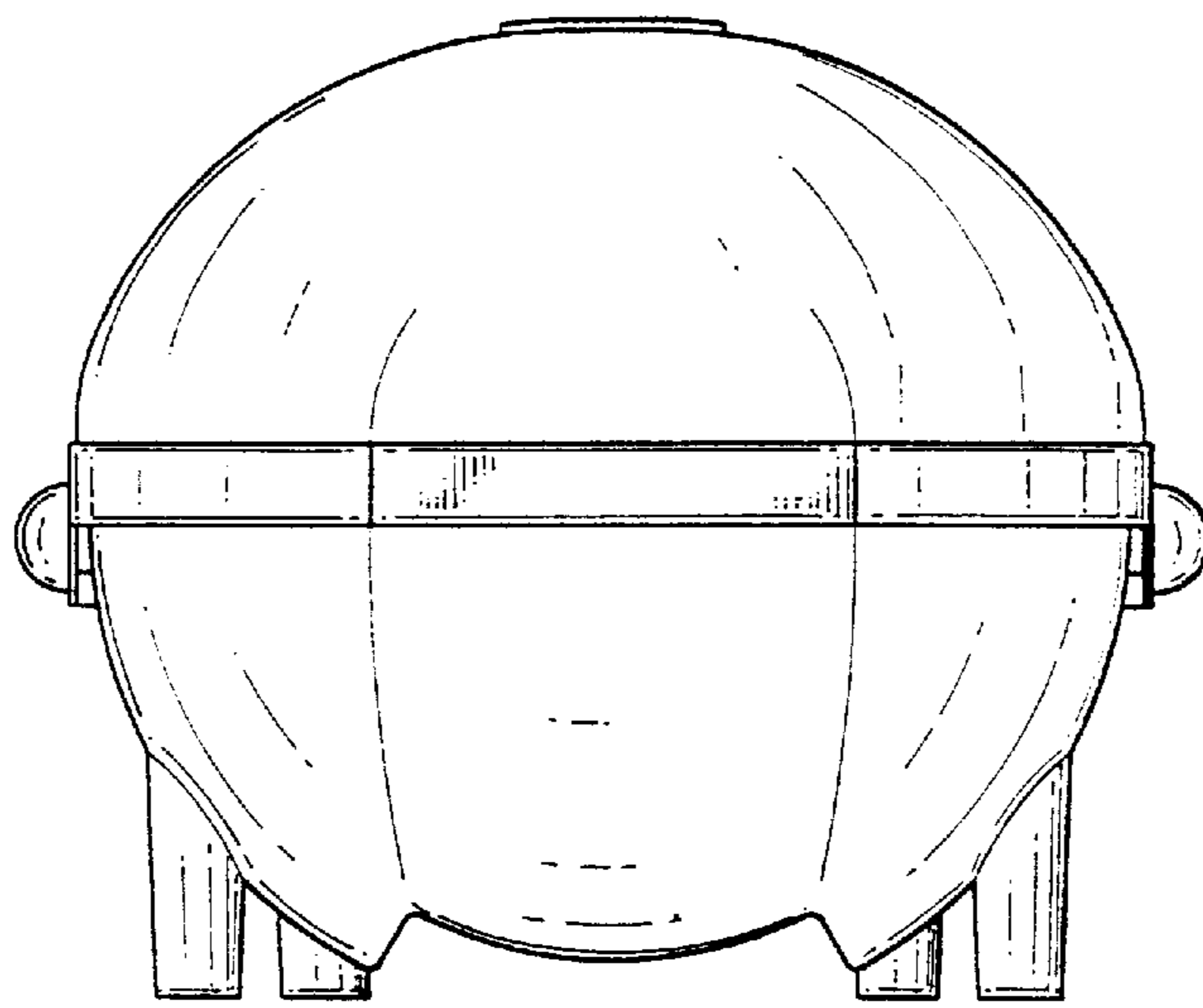


FIG. 3

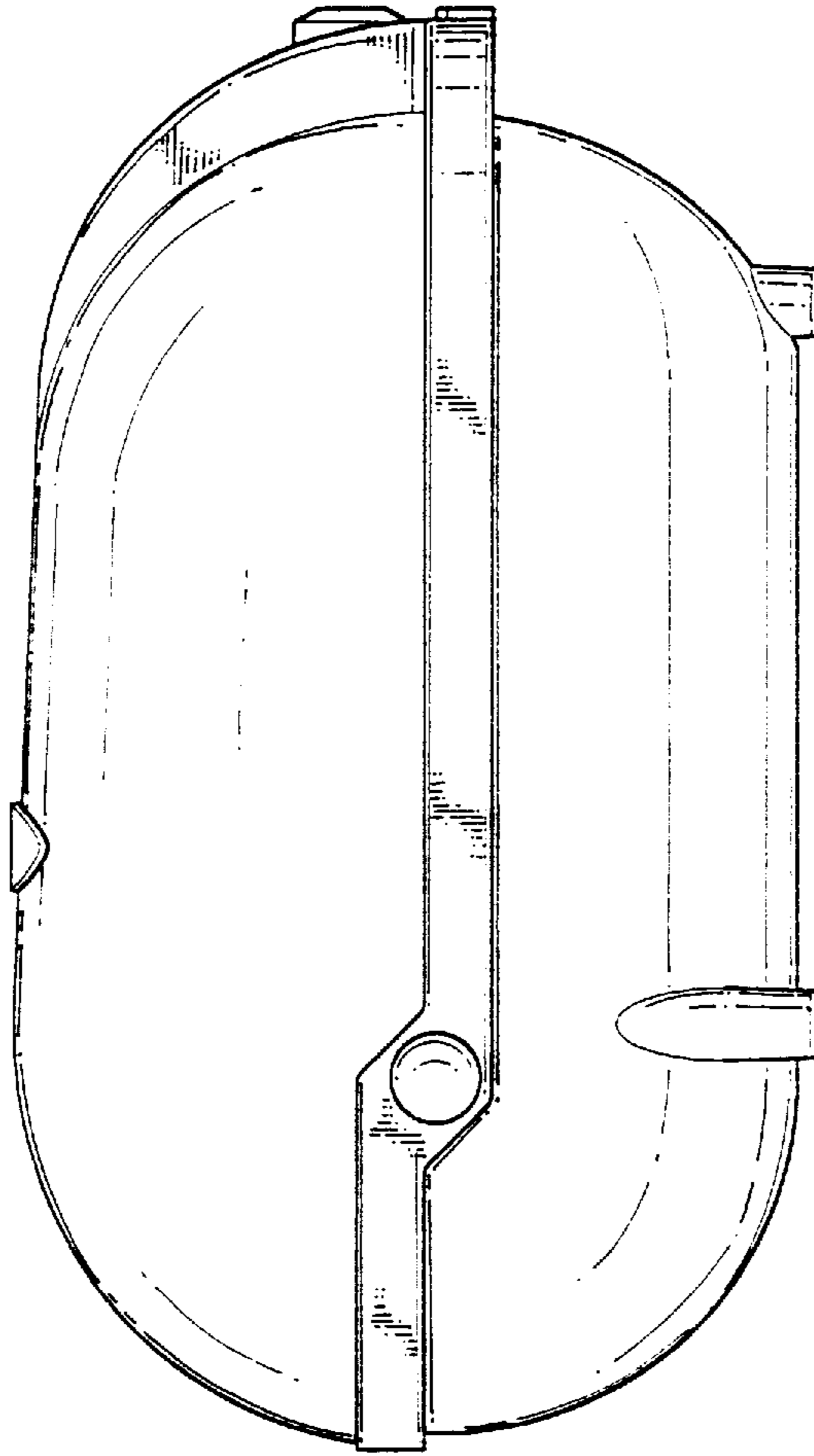


FIG. 4

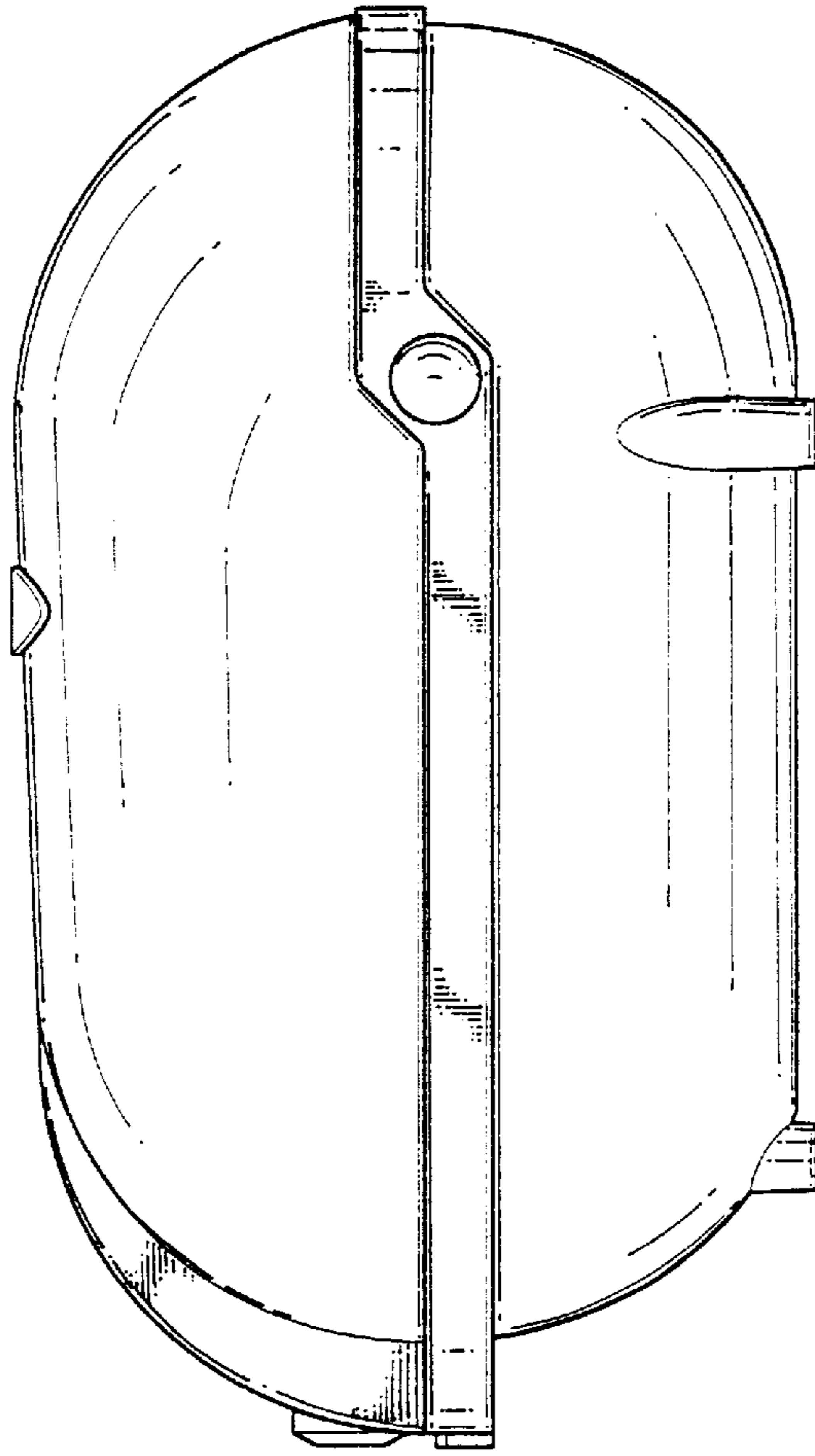


FIG. 5

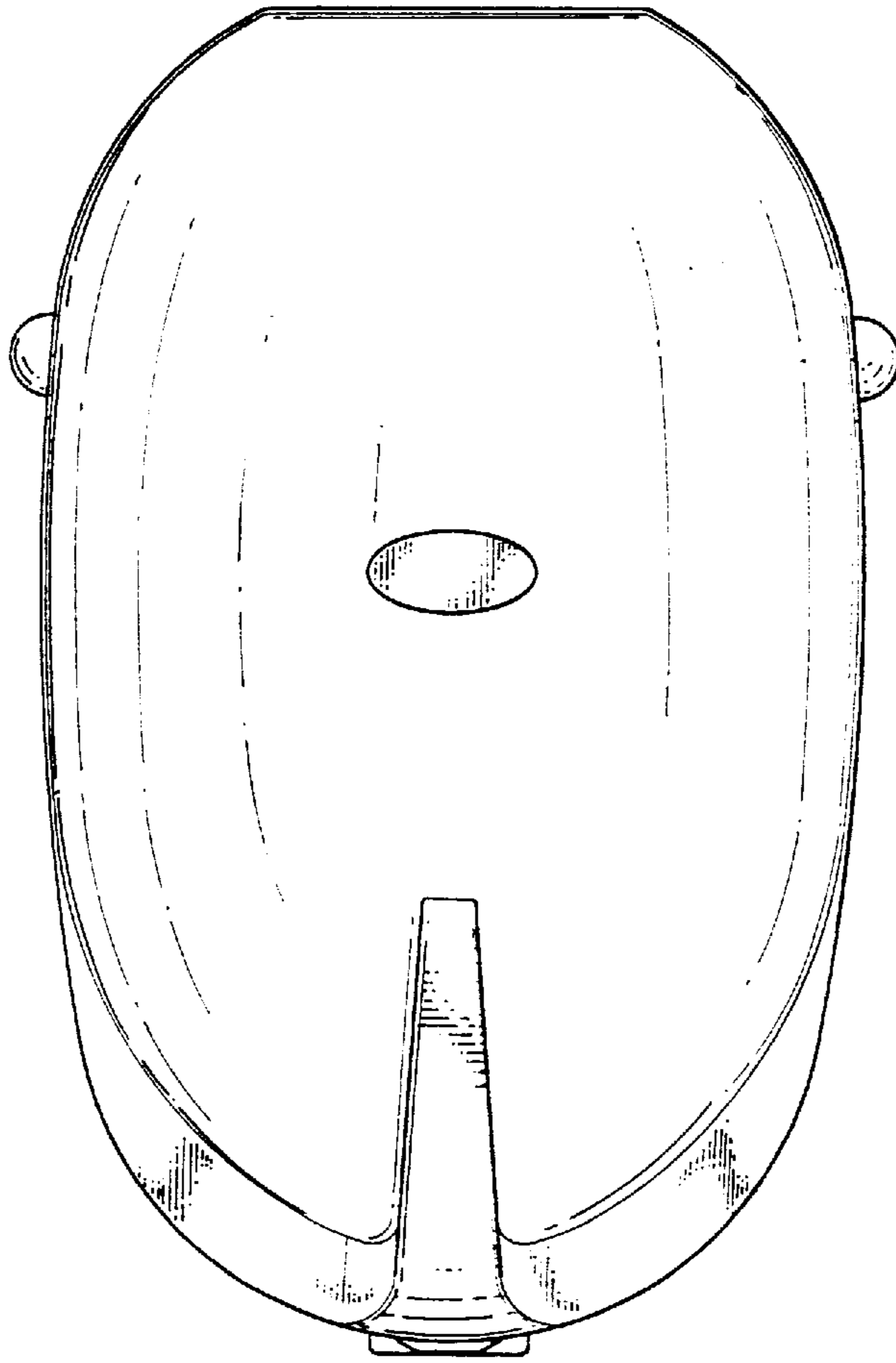


FIG. 6

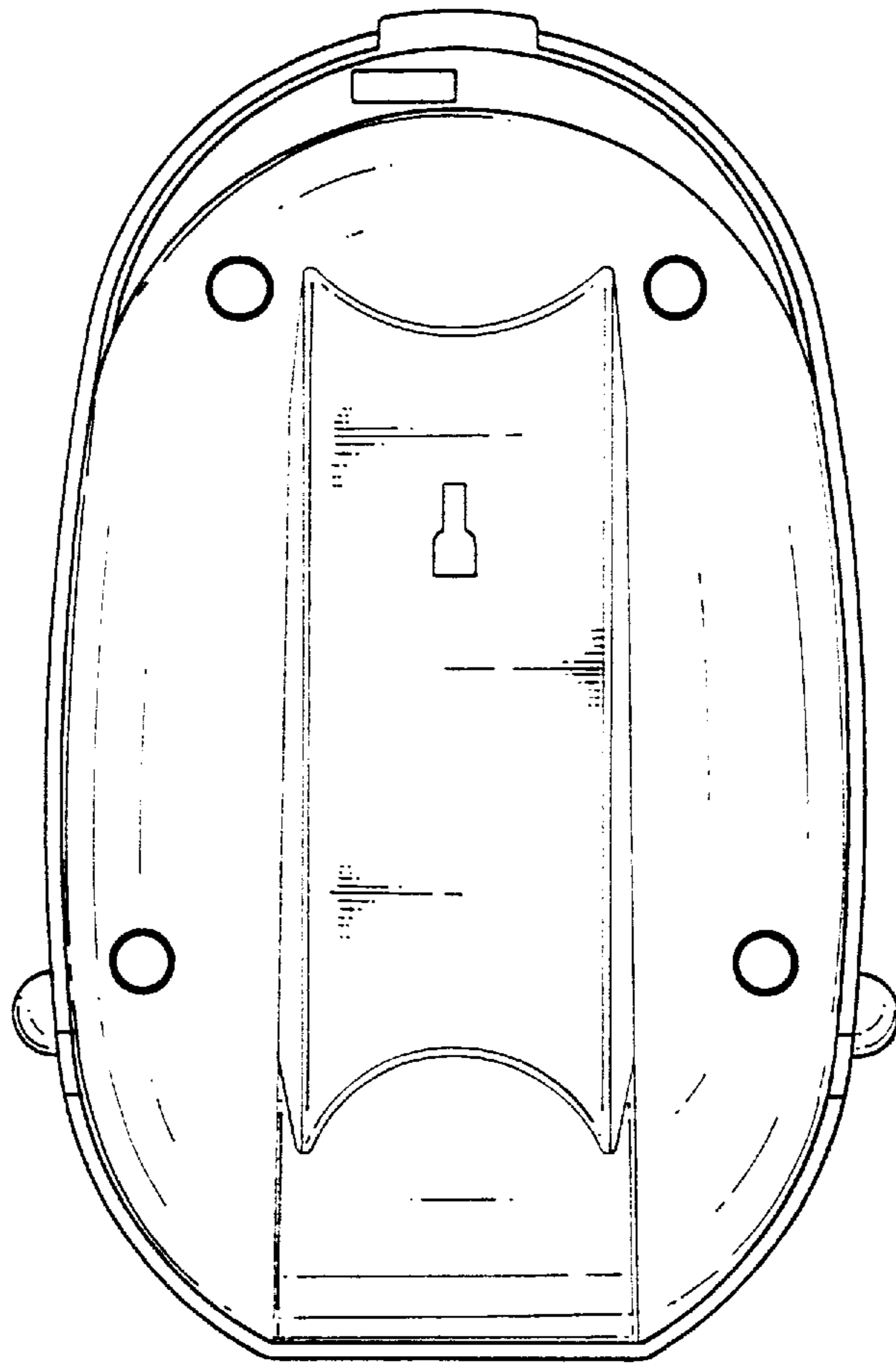


FIG. 7

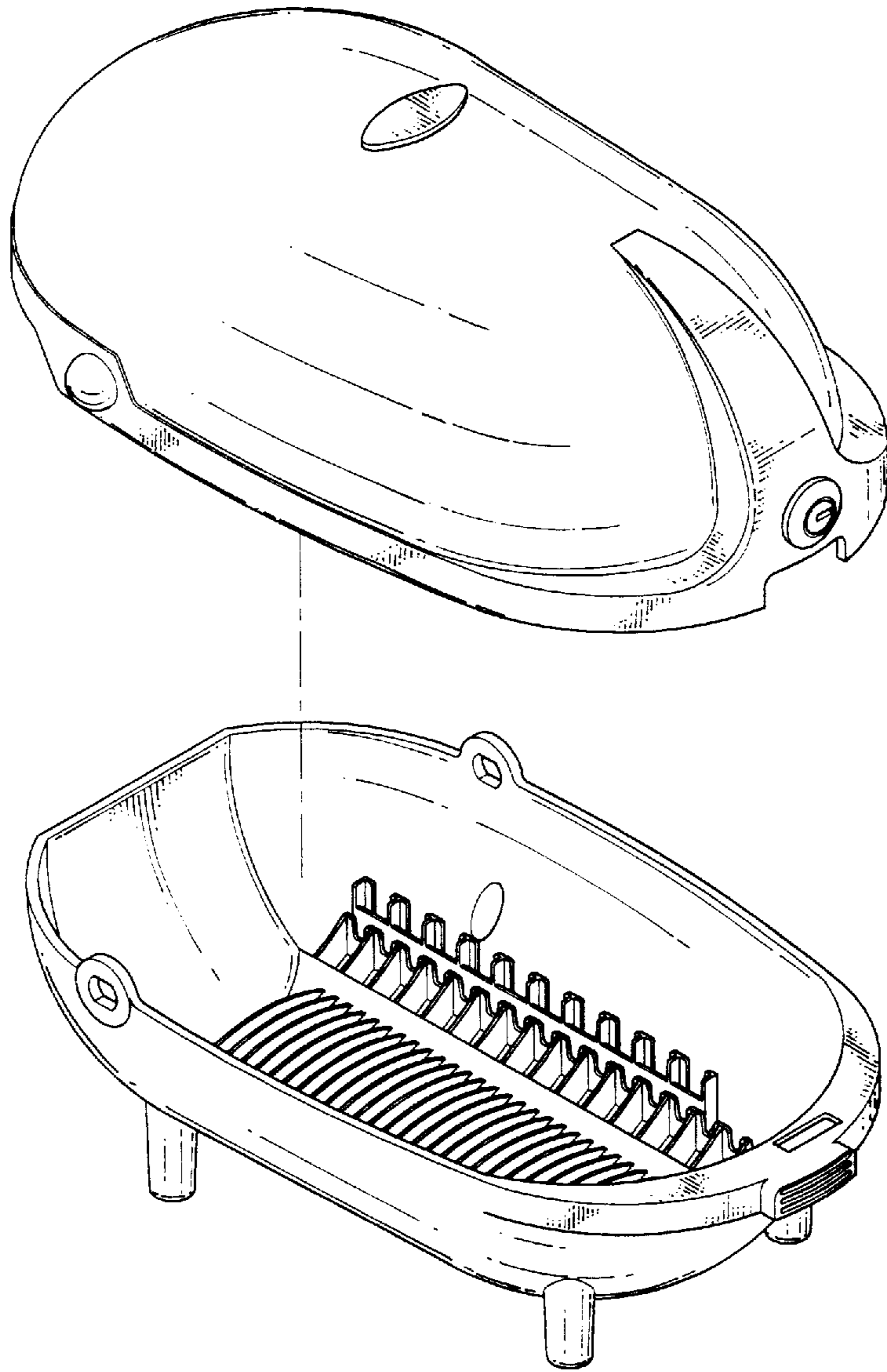


FIG. 8