



US00D406210S

United States Patent [19]
Johnson

[11] **Patent Number: Des. 406,210**

[45] **Date of Patent: **Mar. 2, 1999**

[54] **PLUMBER'S BODY SUPPORT PAD**

[76] Inventor: **Floyd M. Johnson**, 1726 E. Iowa Ave.,
St. Paul, Minn. 55106

[**] Term: **14 Years**

[21] Appl. No.: **88,486**

[22] Filed: **May 26, 1998**

[51] **LOC (6) Cl.** **06-09**

[52] **U.S. Cl.** **D6/601; D6/349**

[58] **Field of Search** D6/595, 596, 601,
D6/604, 349; 5/630, 633, 634, 636, 644,
652-654; 297/195.11, 423.1, 423.16, 423.39

[56] **References Cited**

U.S. PATENT DOCUMENTS

3,009,172	11/1961	Eidam	5/636
3,505,994	4/1970	Smith, Jr.	5/648
3,648,308	3/1972	Greenwalt	D6/601

OTHER PUBLICATIONS

U.S. TrademarkRegistration No. 1,898,956, Issued Jun. 13, 1995.

Primary Examiner—Janice E. Seeger
Attorney, Agent, or Firm—Burd, Bartz & Gutenkauf

[57] **CLAIM**

The ornamental design of a plumber's body support pad, as shown and described.

DESCRIPTION

FIG. 1 is a perspective view of a plumber's body support pad of my new design;

FIG. 2 is a top plan view thereof;

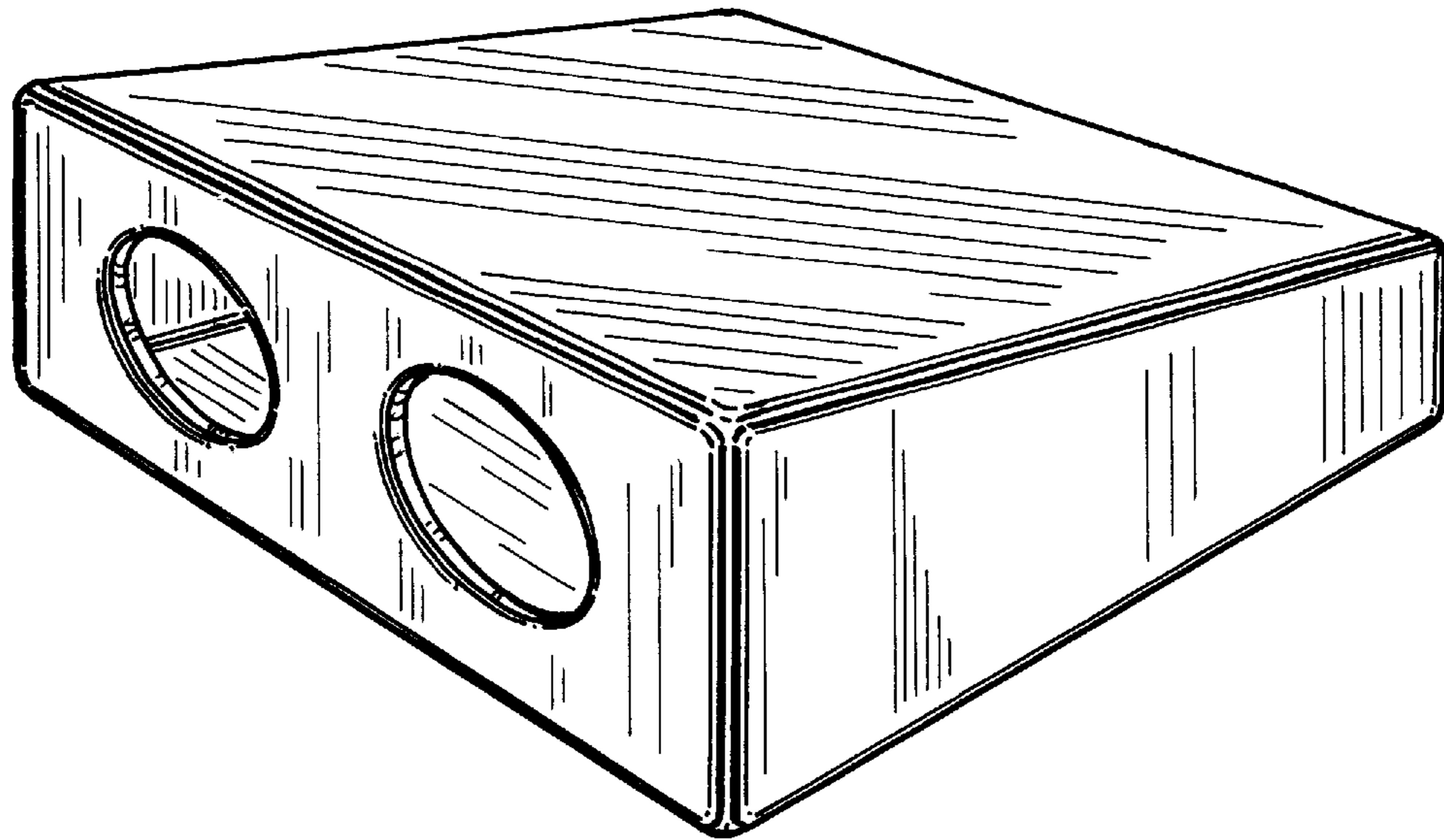
FIG. 3 is a front elevational view thereof;

FIG. 4 is a rear elevational view thereof;

FIG. 5 is a side elevational view thereof, the opposite side being a mirror image of FIG. 5; and,

FIG. 6 is a bottom plan view thereof.

1 Claim, 2 Drawing Sheets



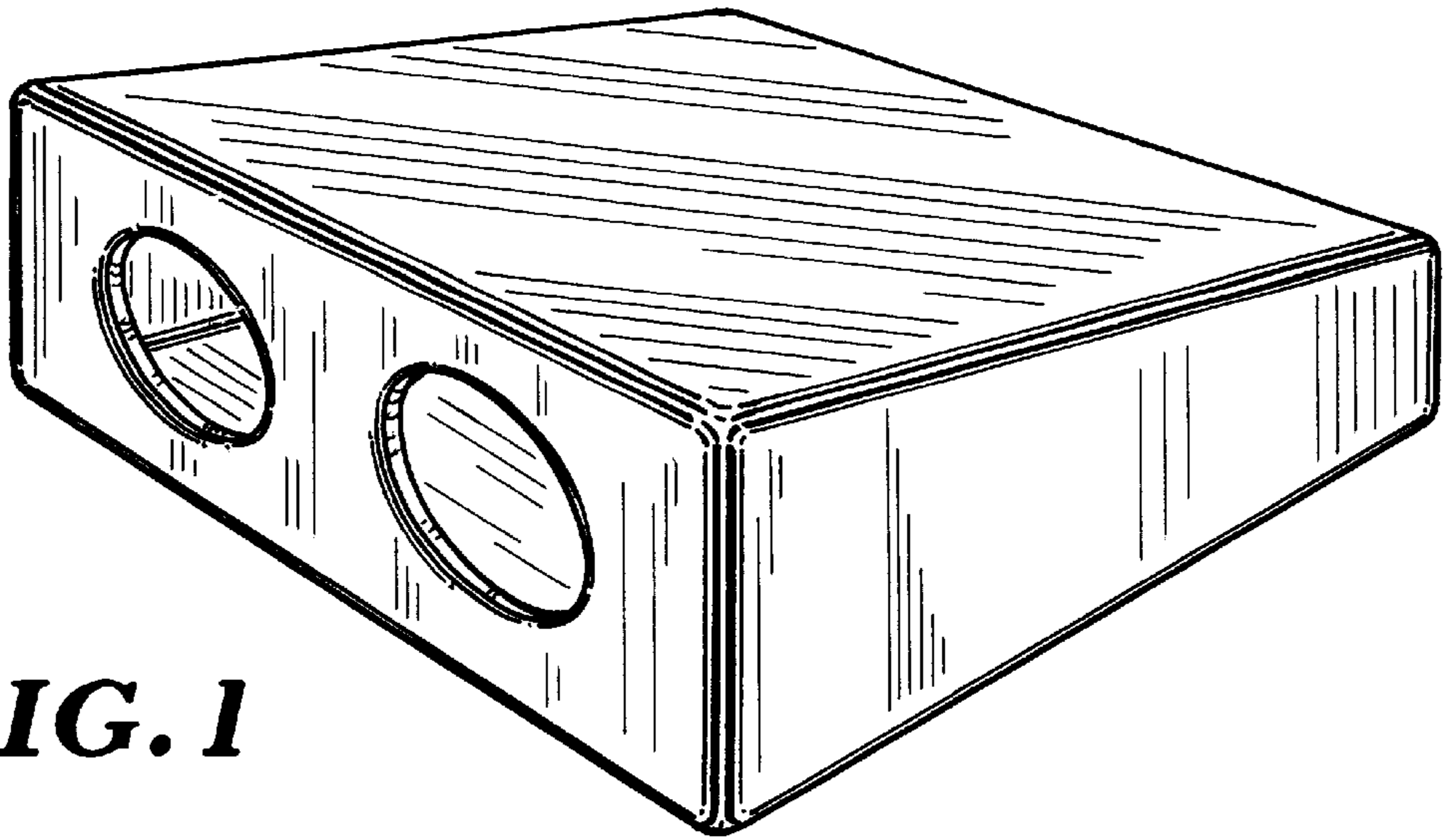


FIG. 1

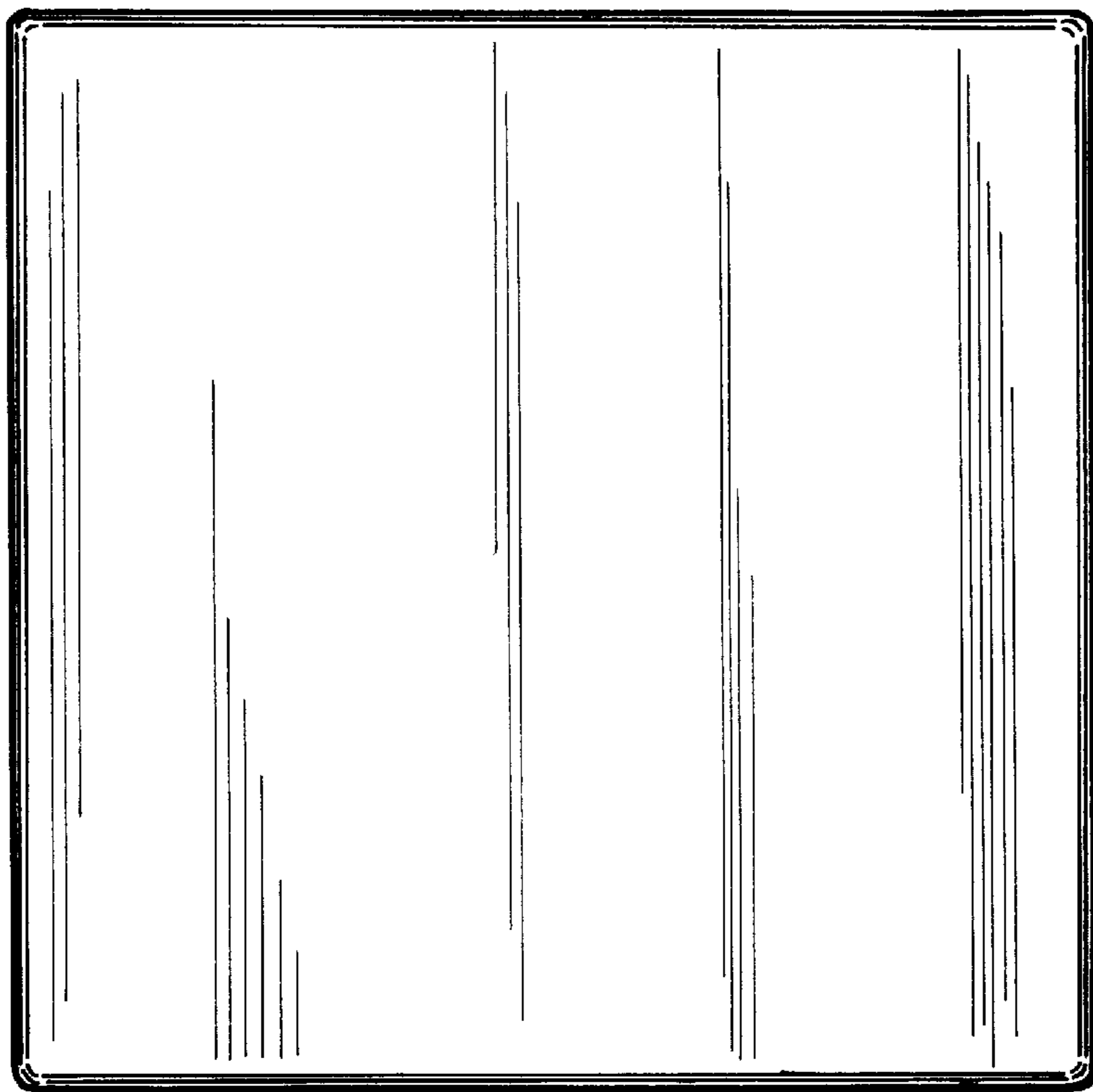


FIG. 2

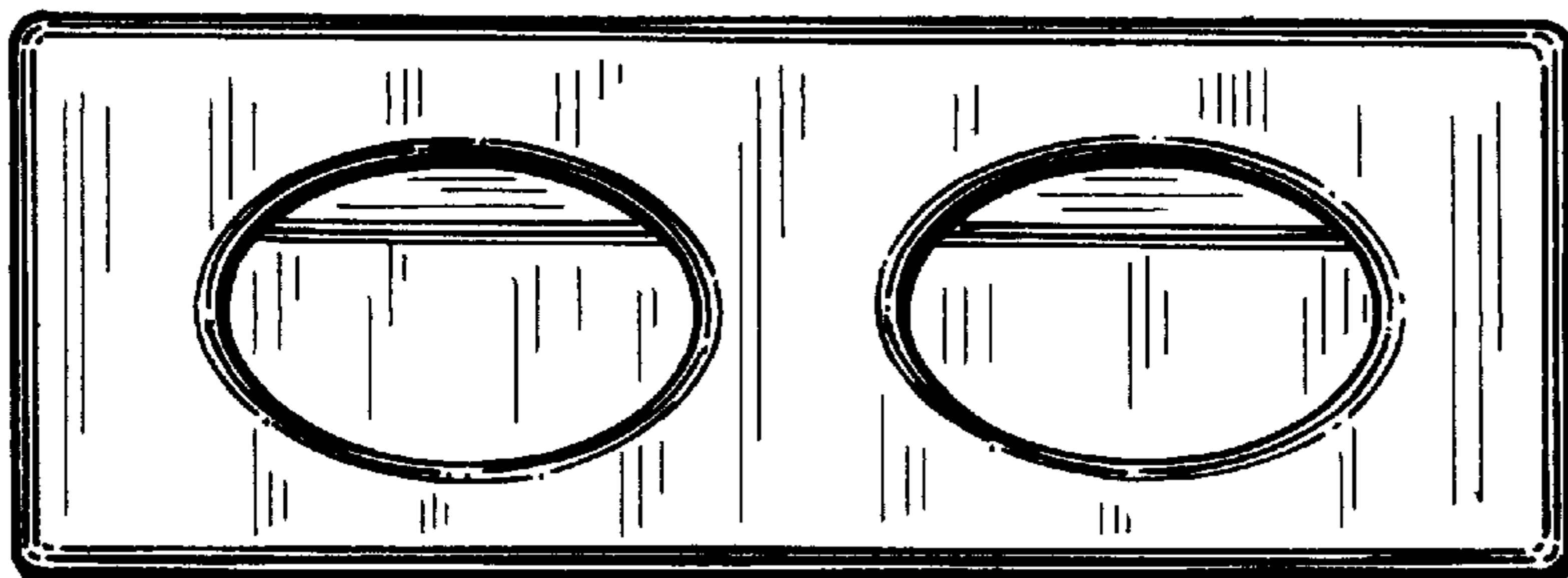


FIG. 3

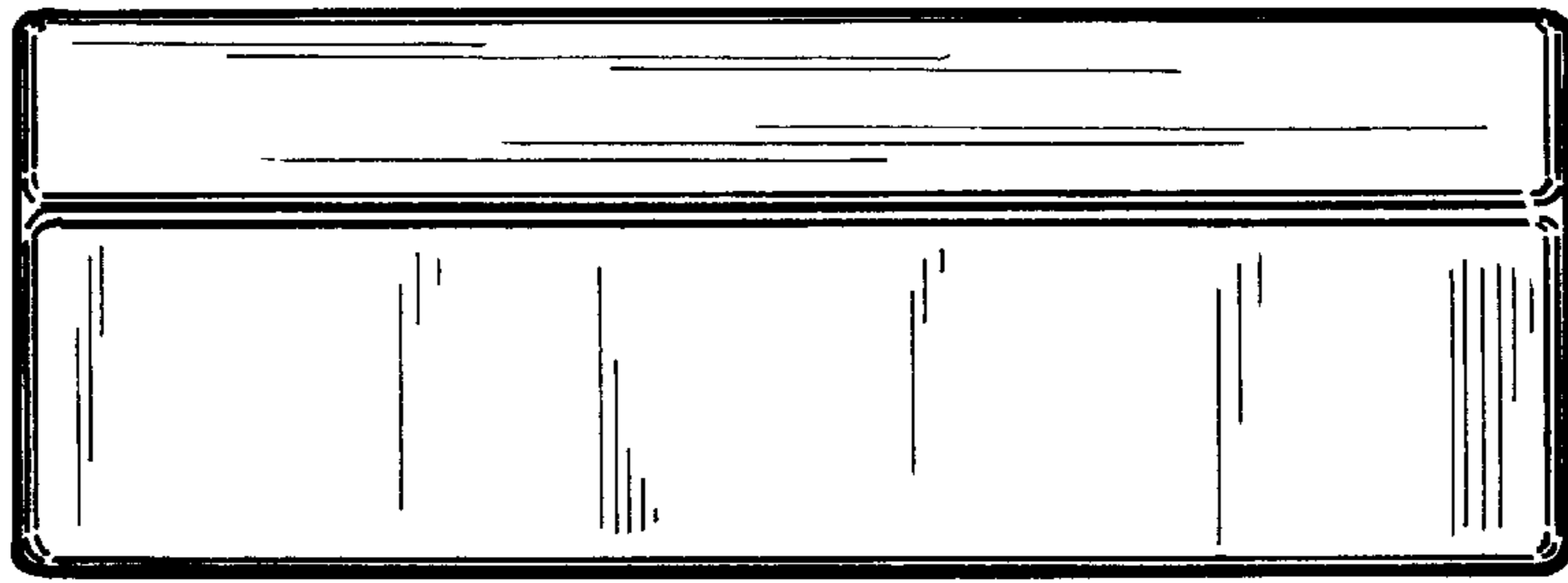


FIG. 4

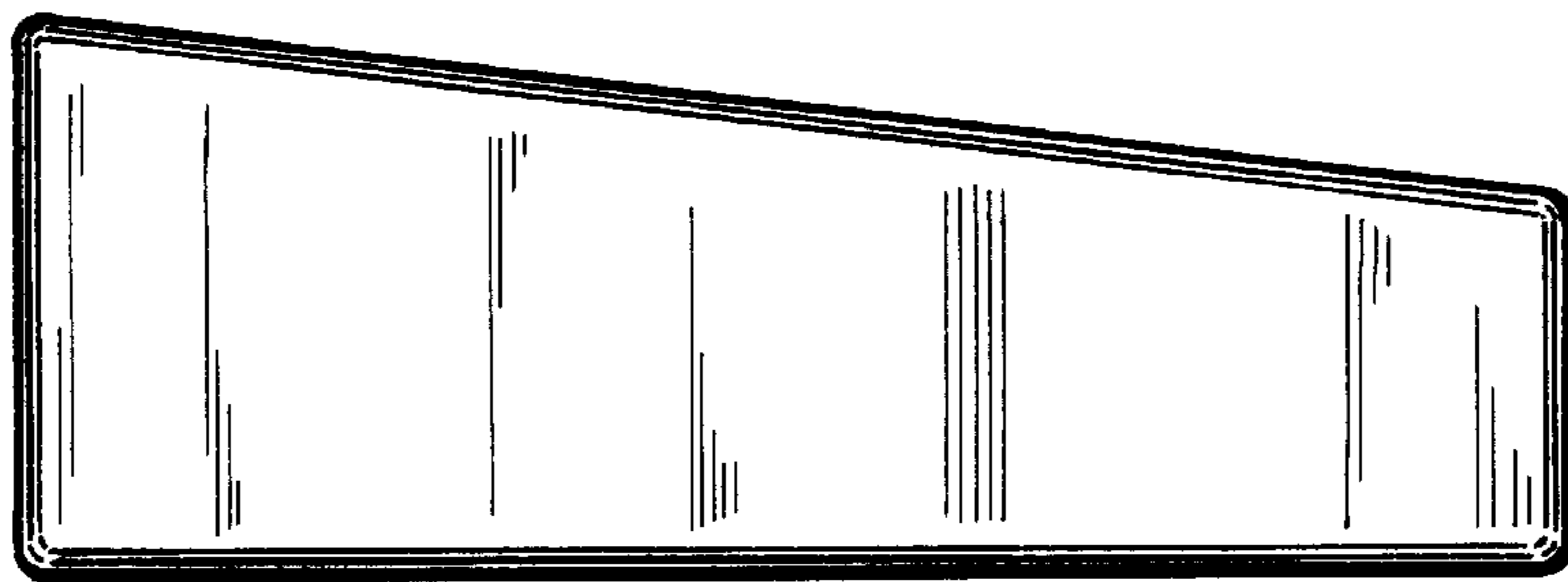


FIG. 5

FIG. 6

