



US00D406209S

United States Patent [19]
Lehmkuhl

[11] **Patent Number: Des. 406,209**

[45] **Date of Patent: **Mar. 2, 1999**

[54] **TOILET TISSUE DISPENSING APPARATUS**

D. 357,150 4/1995 Morand D6/520
4,872,601 10/1989 Sigmund D6/520 X

[76] Inventor: **Timothy Allen Lehmkuhl**, 186
Ashwood Dr., Walton, Ky. 41094

Primary Examiner—Brian N. Vinson

[**] Term: **14 Years**

[57] **CLAIM**

[21] Appl. No.: **82,110**

The ornamental design for a toilet tissue dispensing apparatus, as shown.

[22] Filed: **Jan. 15, 1998**

DESCRIPTION

[51] **LOC (6) Cl.** **07-07**

[52] **U.S. Cl.** **D6/523**

[58] **Field of Search** D6/518, 522, 523;
312/34.1, 34.8, 34.22; 206/389, 391

FIG. 1 is a front plan view of the toilet tissue dispensing apparatus of the present invention;

FIG. 2 is a back plan view of the toilet tissue dispensing apparatus of FIG. 1;

FIG. 3 is a left side plan view of the toilet tissue dispensing apparatus of FIG. 1;

FIG. 4 is a right side plan view of the toilet tissue dispensing apparatus of FIG. 1;

FIG. 5 is a top plan view of the toilet tissue dispensing apparatus of FIG. 1; and,

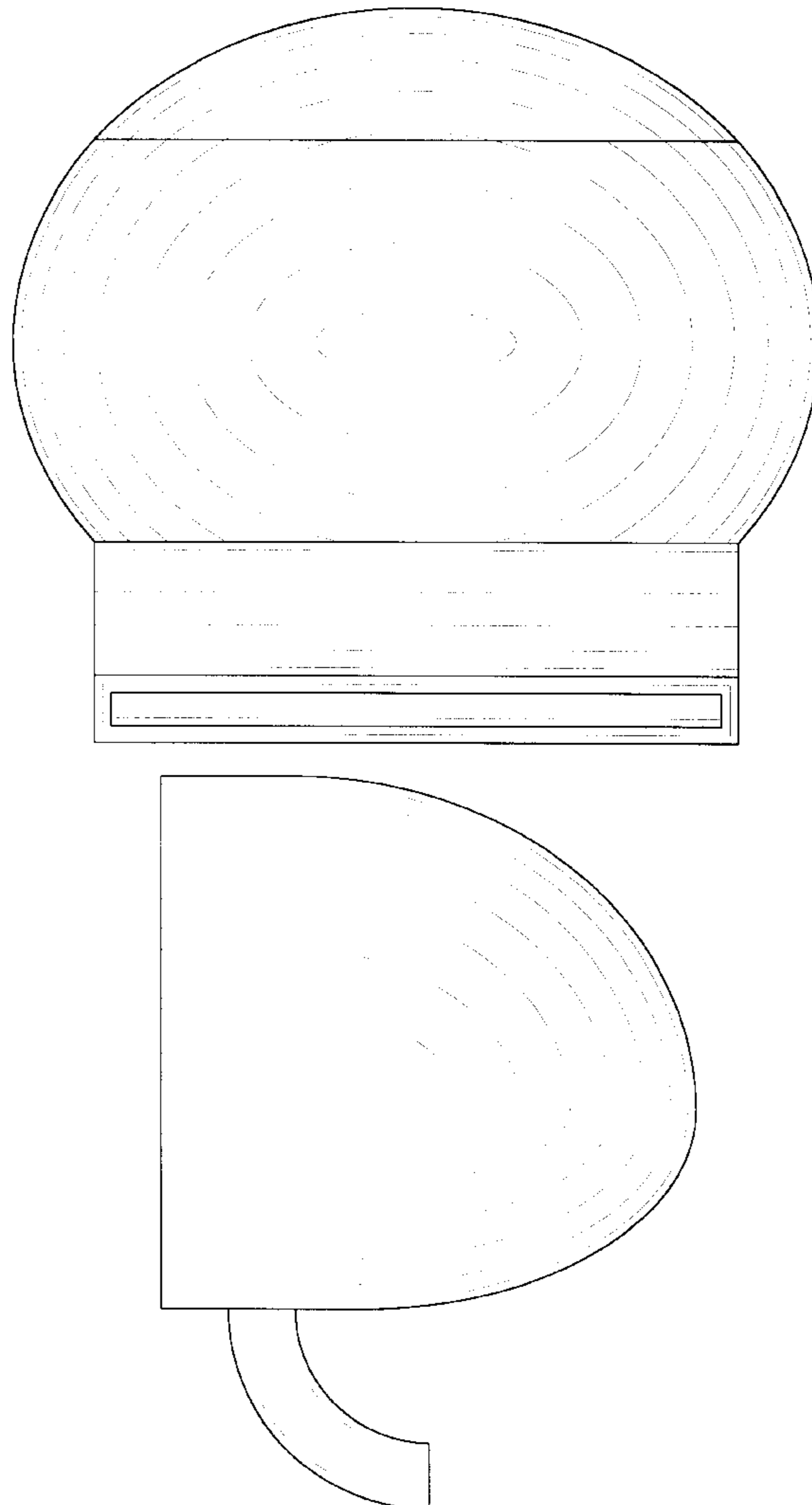
FIG. 6 is a bottom plan view of the toilet tissue dispensing apparatus of FIG. 1.

[56] **References Cited**

U.S. PATENT DOCUMENTS

D. 299,602	1/1989	Nordlander	D6/518
D. 310,923	10/1990	Breger	D6/522
D. 324,969	3/1992	Morand	D6/523
D. 326,973	6/1992	Froidevaux	D6/523
D. 336,581	6/1993	Parker	D6/518
D. 337,680	7/1993	Giugiaro	D6/518
D. 351,520	10/1994	Frazier et al.	D6/523

1 Claim, 3 Drawing Sheets



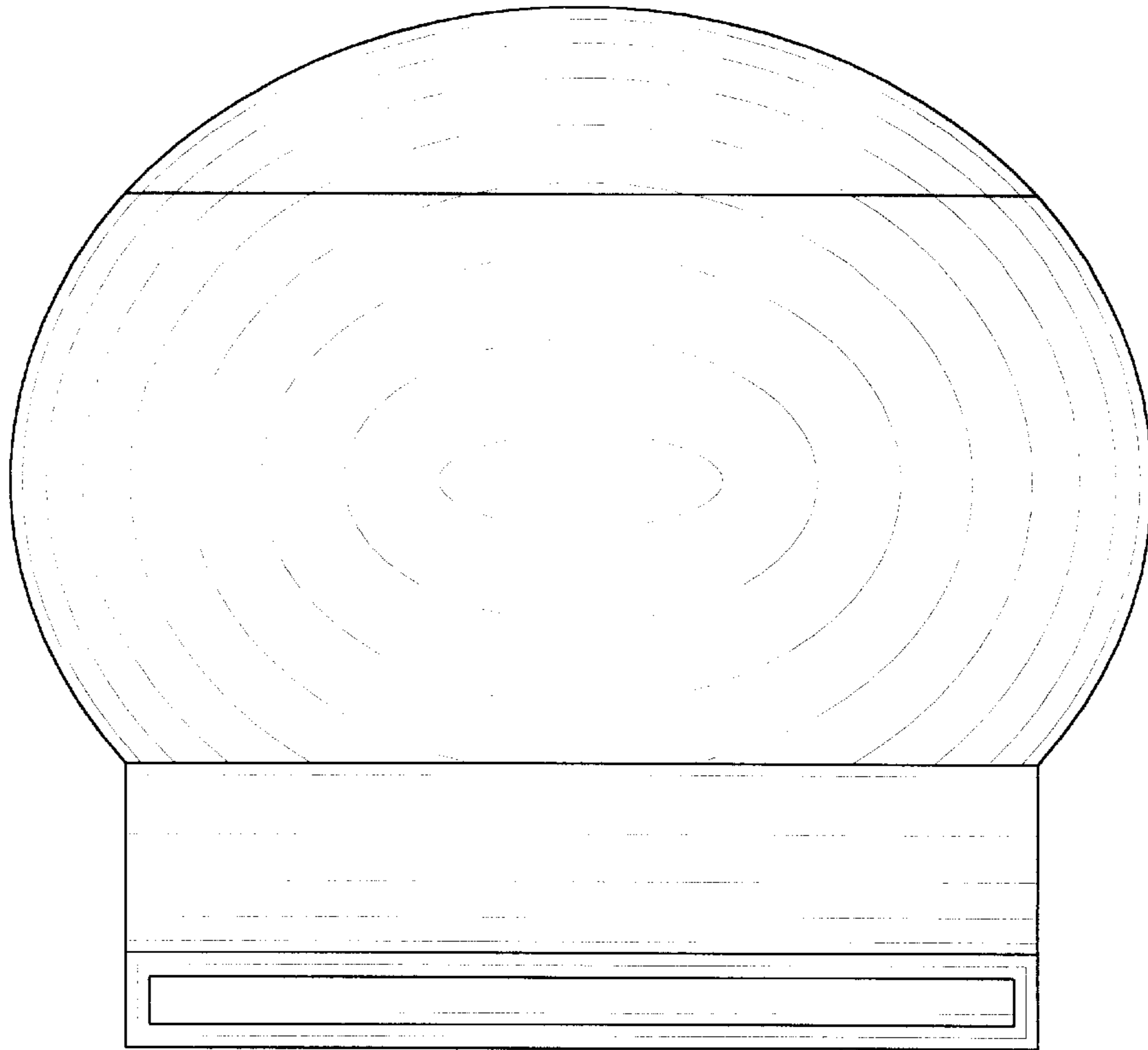


Fig. 1

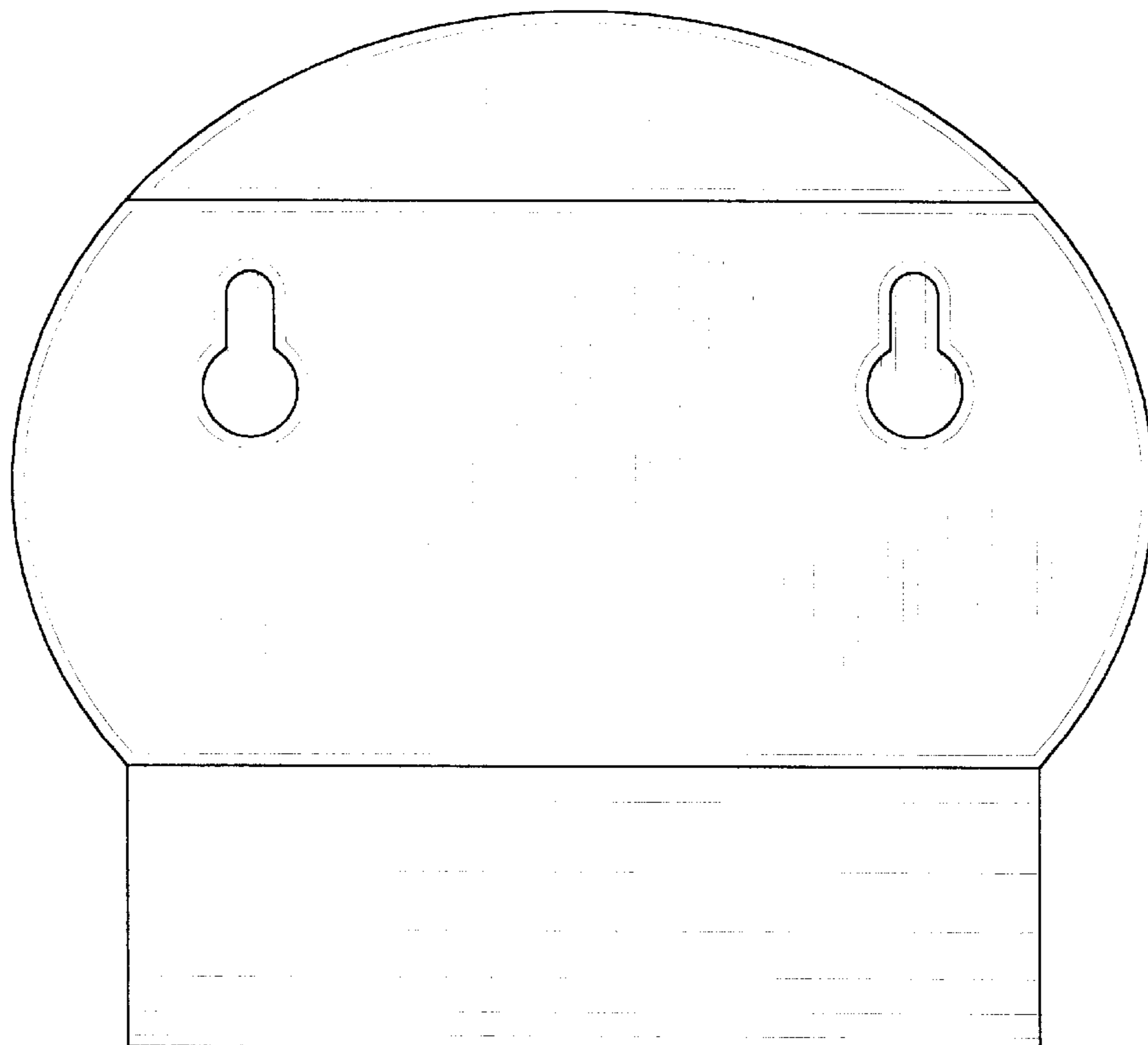


Fig. 2

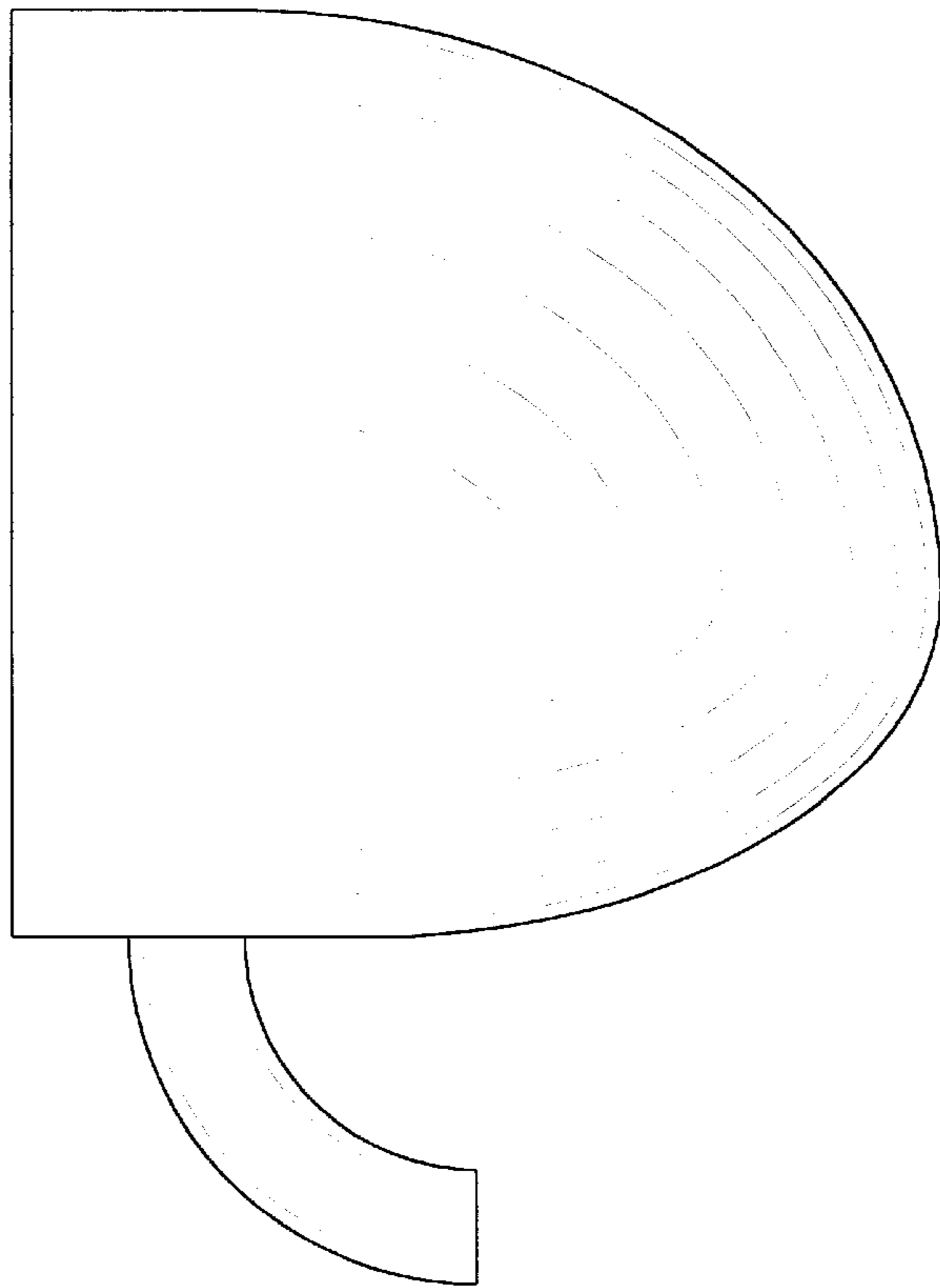


Fig. 3

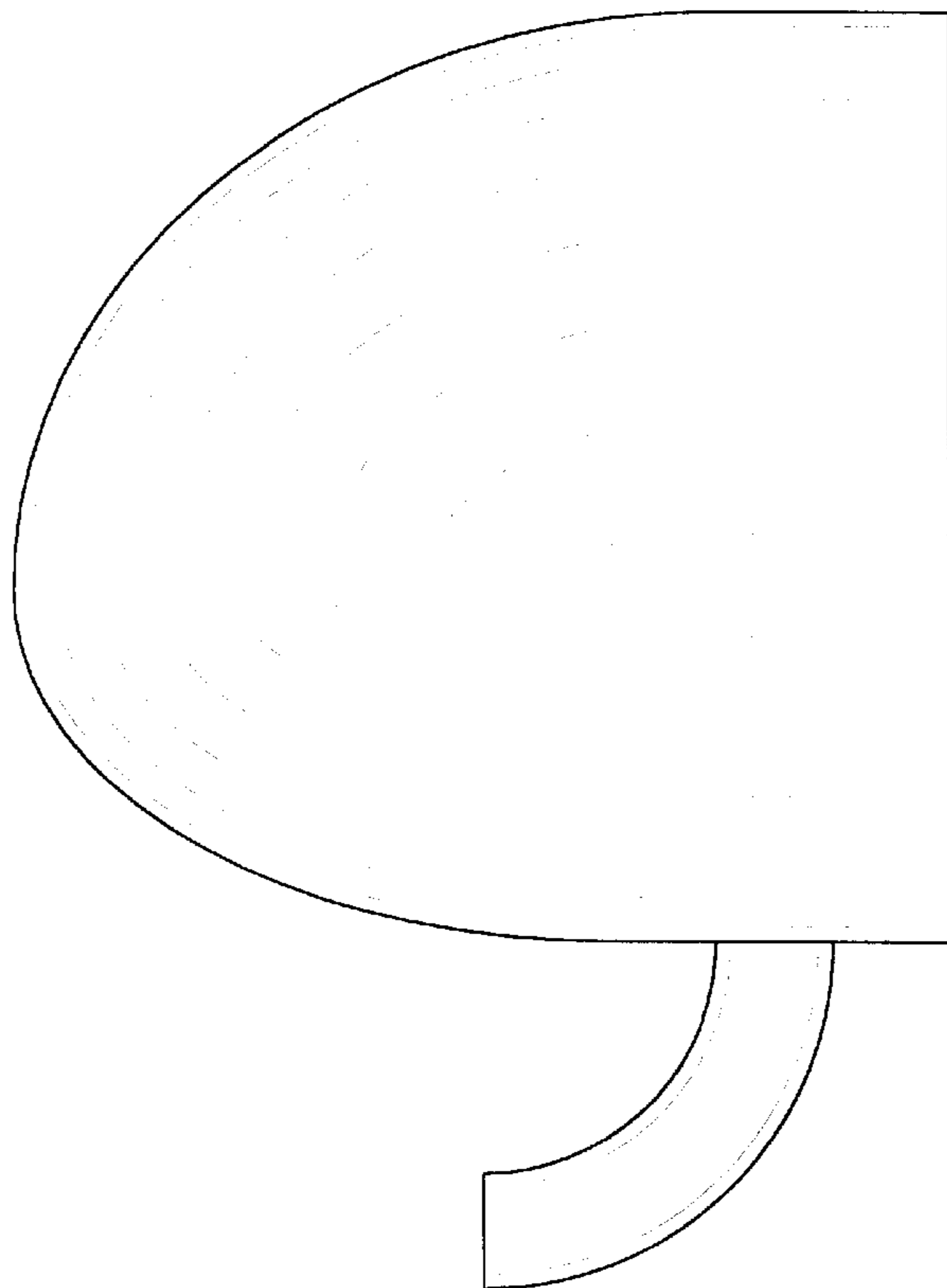


Fig. 4

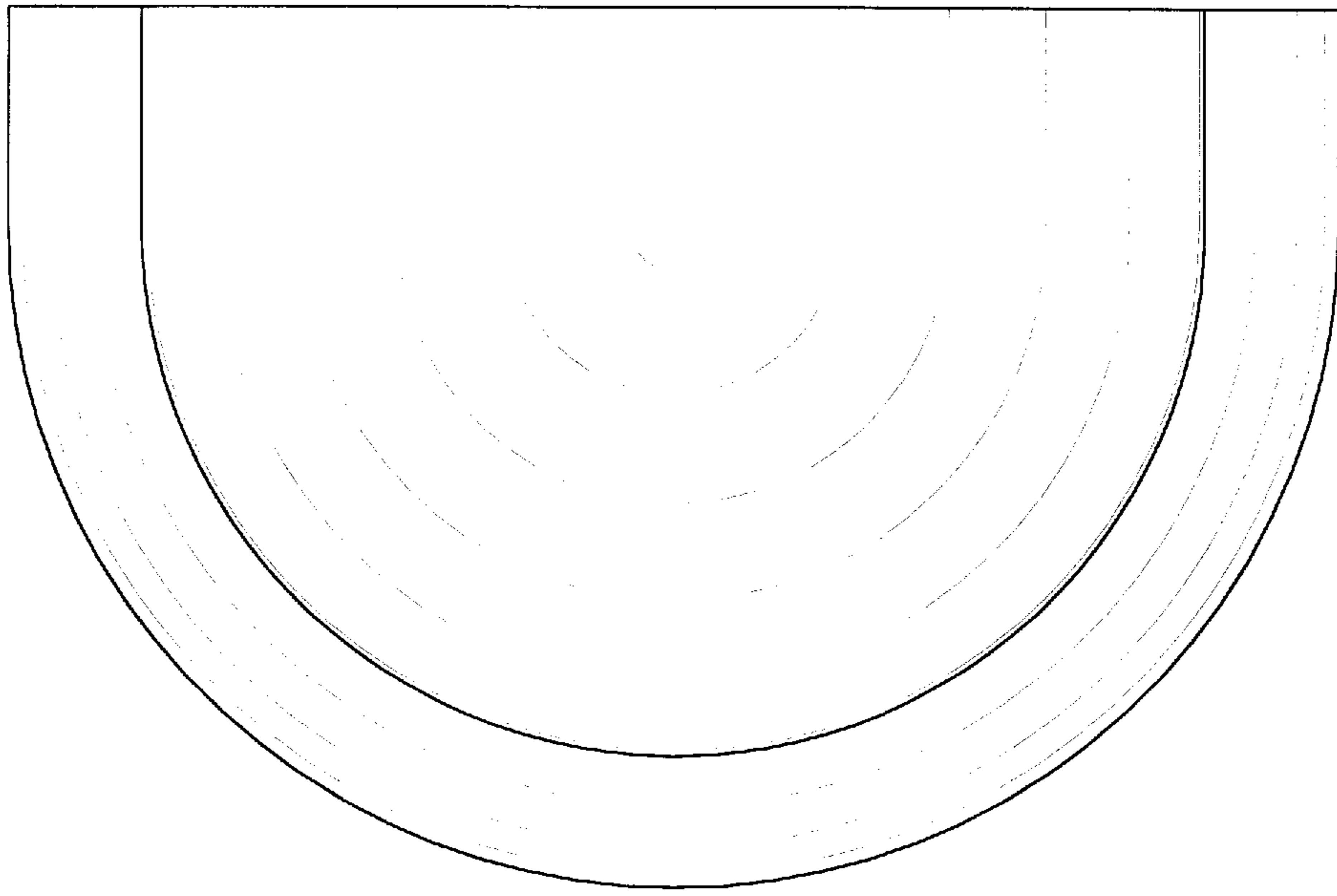


Fig. 5

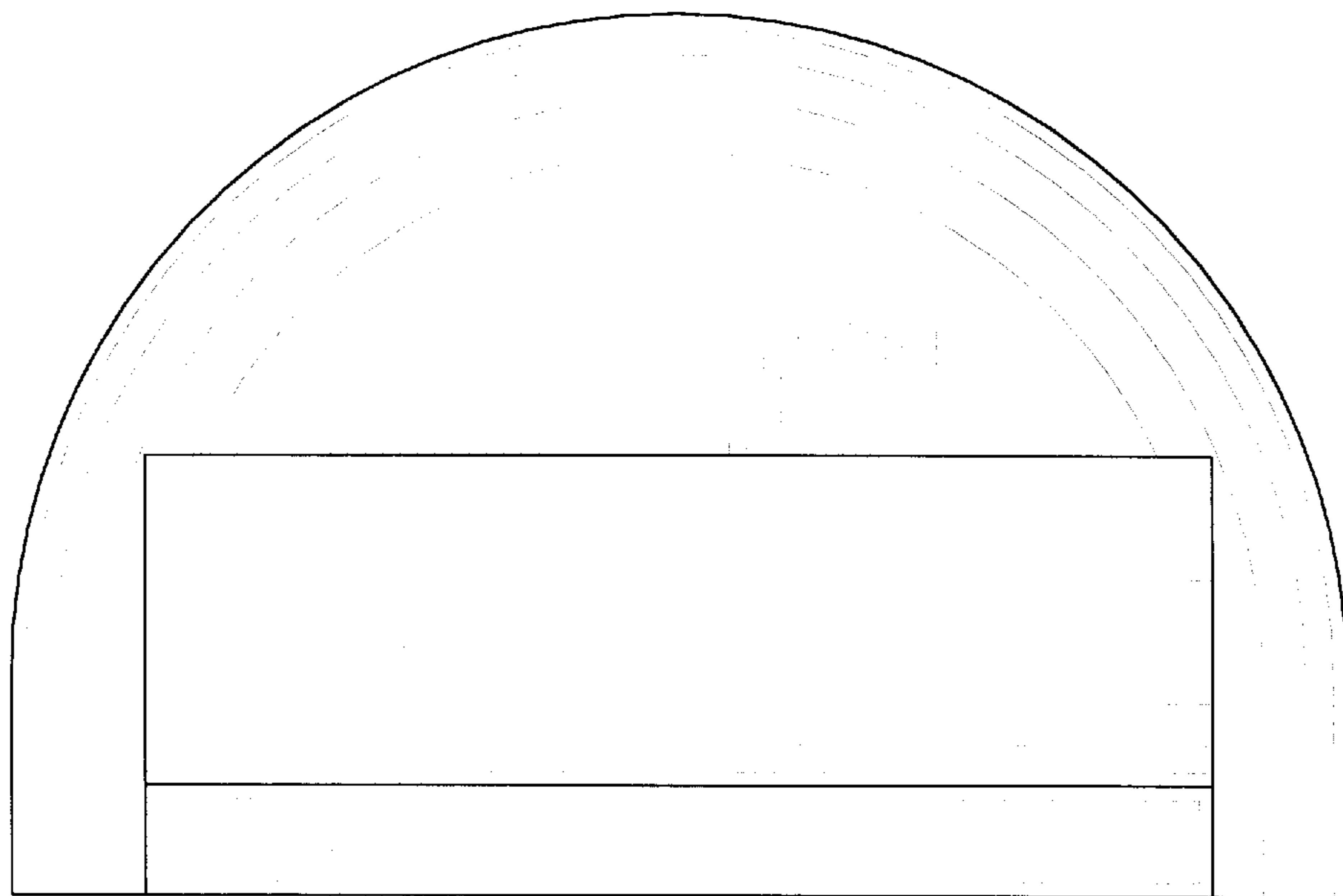


Fig. 6