



US00D406208S

**United States Patent** [19]  
**Law**

[11] **Patent Number: Des. 406,208**

[45] **Date of Patent: \*\*Mar. 2, 1999**

[54] **ROLLED TOILET PAPER HOLDER**

[76] Inventor: **Tex Law**, 355 Lindsay Creek Rd.,  
Lewiston, Id. 83501

[\*\*] Term: **14 Years**

[21] Appl. No.: **81,979**

[22] Filed: **Jan. 12, 1998**

[51] **LOC (6) Cl.** ..... **07-07**

[52] **U.S. Cl.** ..... **D6/523**

[58] **Field of Search** ..... D6/518, 522, 523;  
242/570, 590, 597, 597.4, 597.5; 312/34.8

[56] **References Cited**

**U.S. PATENT DOCUMENTS**

D. 299,396	1/1989	Meyer	.....	D6/522
D. 336,582	6/1993	Harrison	.....	D6/522
D. 365,234	12/1995	Bragazzi et al.	.....	D6/523
D. 368,401	4/1996	Dixon	.....	D6/522
D. 386,638	11/1997	Fong	.....	D6/518
819,682	5/1906	Williams	.	
873,188	12/1907	Thumann	.	

4,025,004	5/1977	Massey	.....	242/68
4,099,681	7/1978	House	.....	242/55.2
4,179,077	12/1979	Morishita	.....	242/55
5,517,809	5/1996	Tarzian	.	

*Primary Examiner*—Brian N. Vinson  
*Attorney, Agent, or Firm*—Keith S. Bergman

[57] **CLAIM**

The ornamental design for a rolled toilet paper holder, as shown and described.

**DESCRIPTION**

FIG. 1 is an isometric view of design for rolled toilet paper holder showing a new design with a roll of toilet paper which constitutes no part of the design shown in dashed outline thereon;

FIG. 2 is a top view thereof;

FIG. 3 is a right side elevational view thereof;

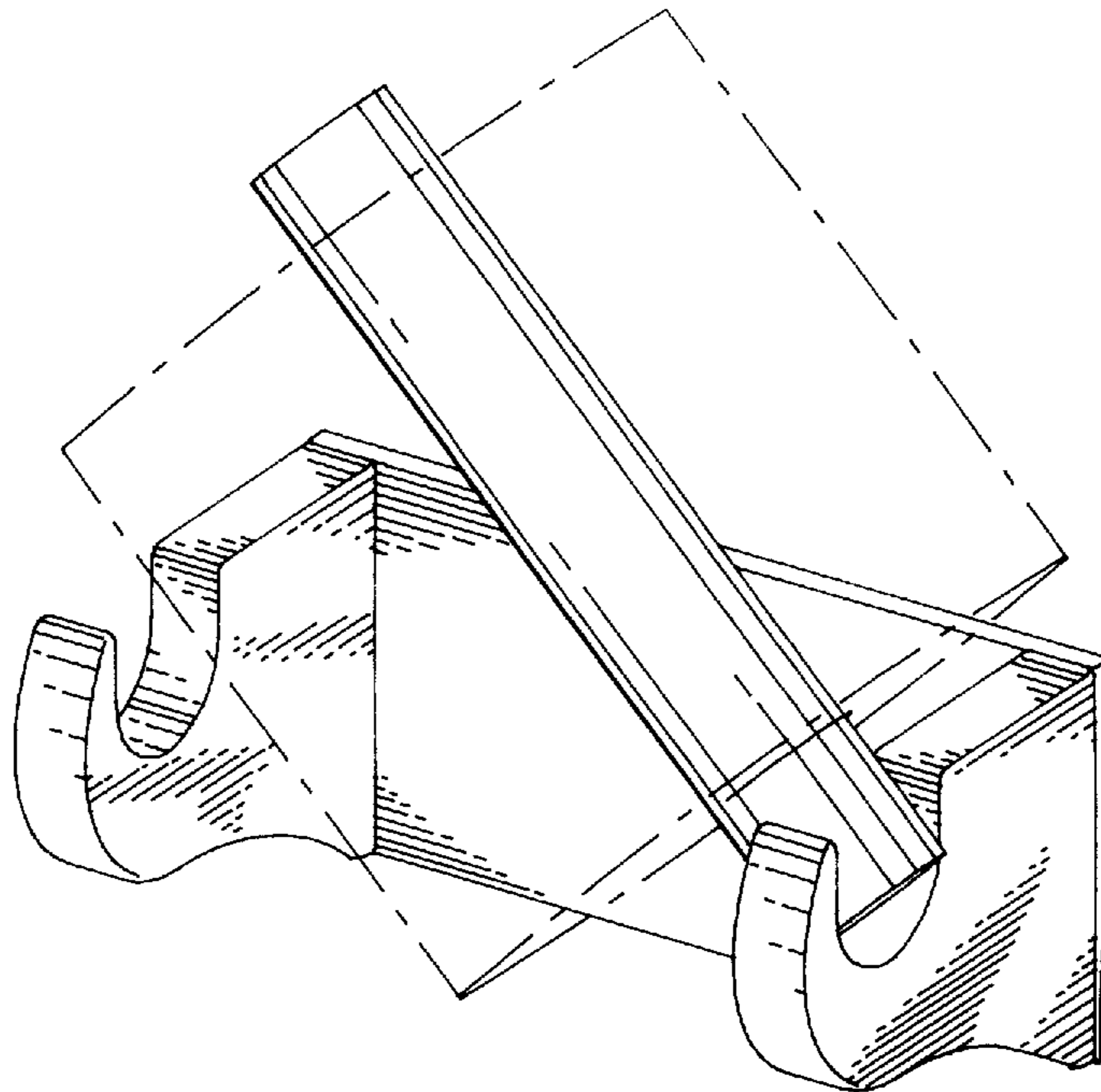
FIG. 4 is a front elevational view thereof;

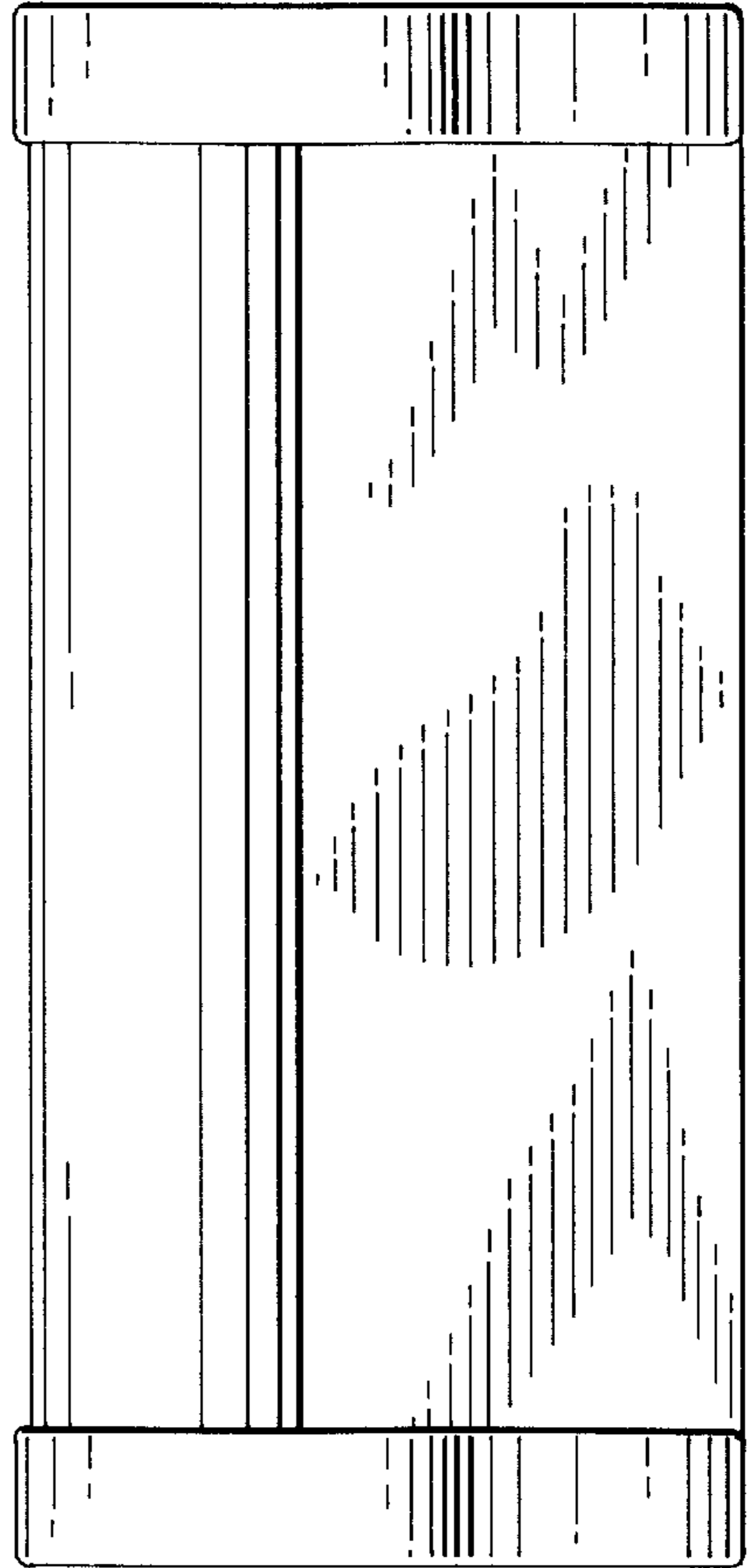
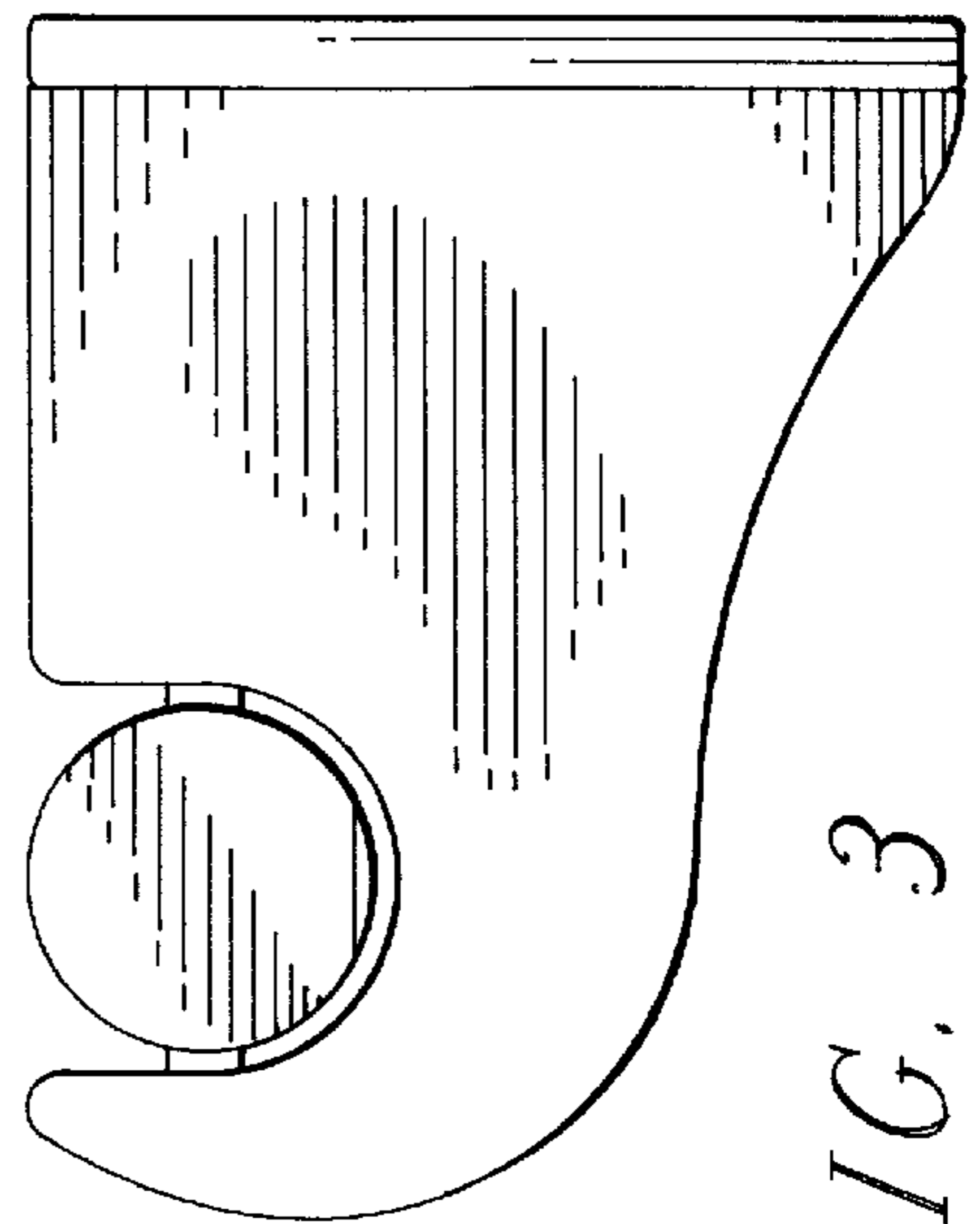
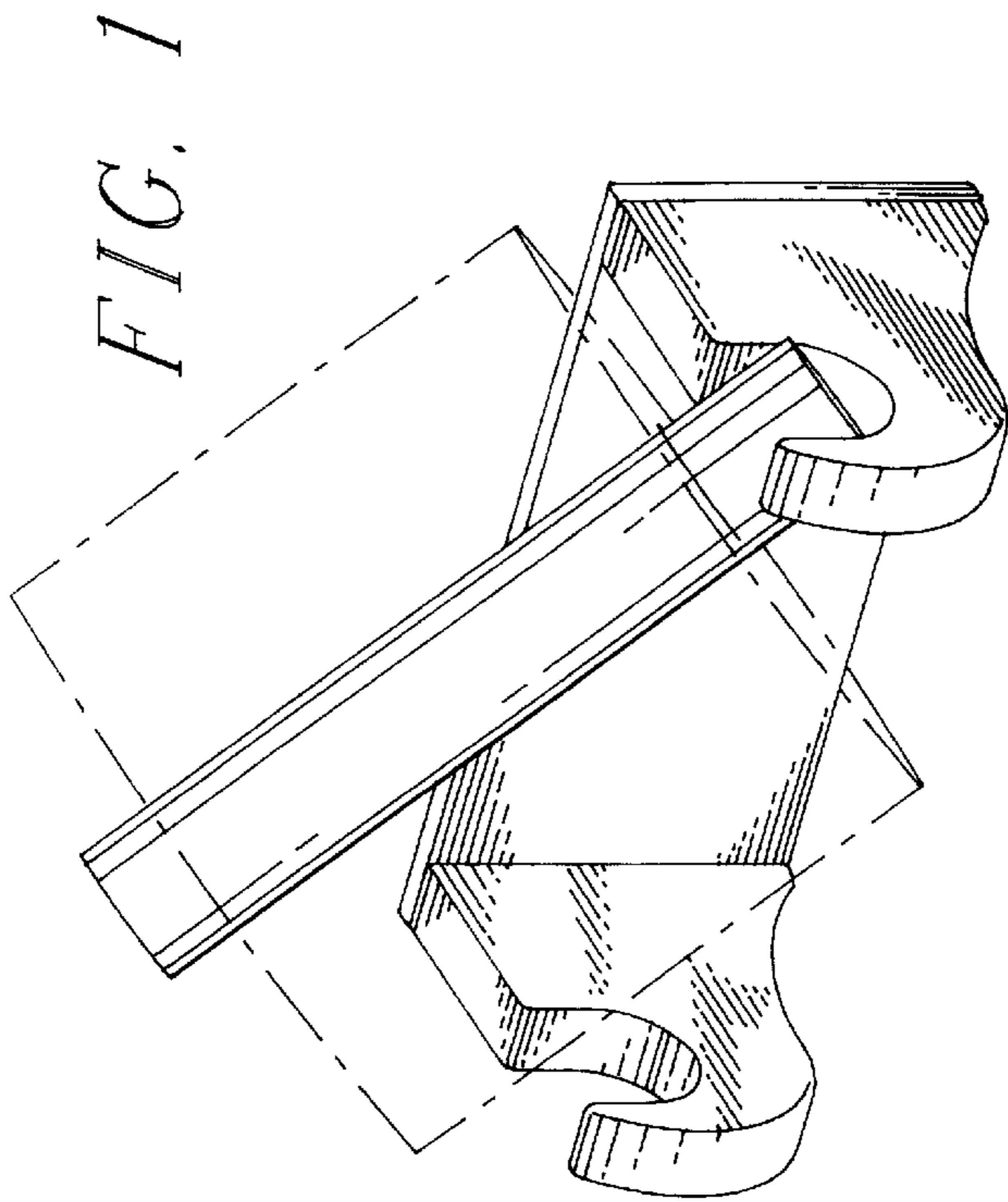
FIG. 5 is a left side elevational view thereof;

FIG. 6 is a bottom view thereof; and,

FIG. 7 is a rear elevational view thereof.

**1 Claim, 2 Drawing Sheets**





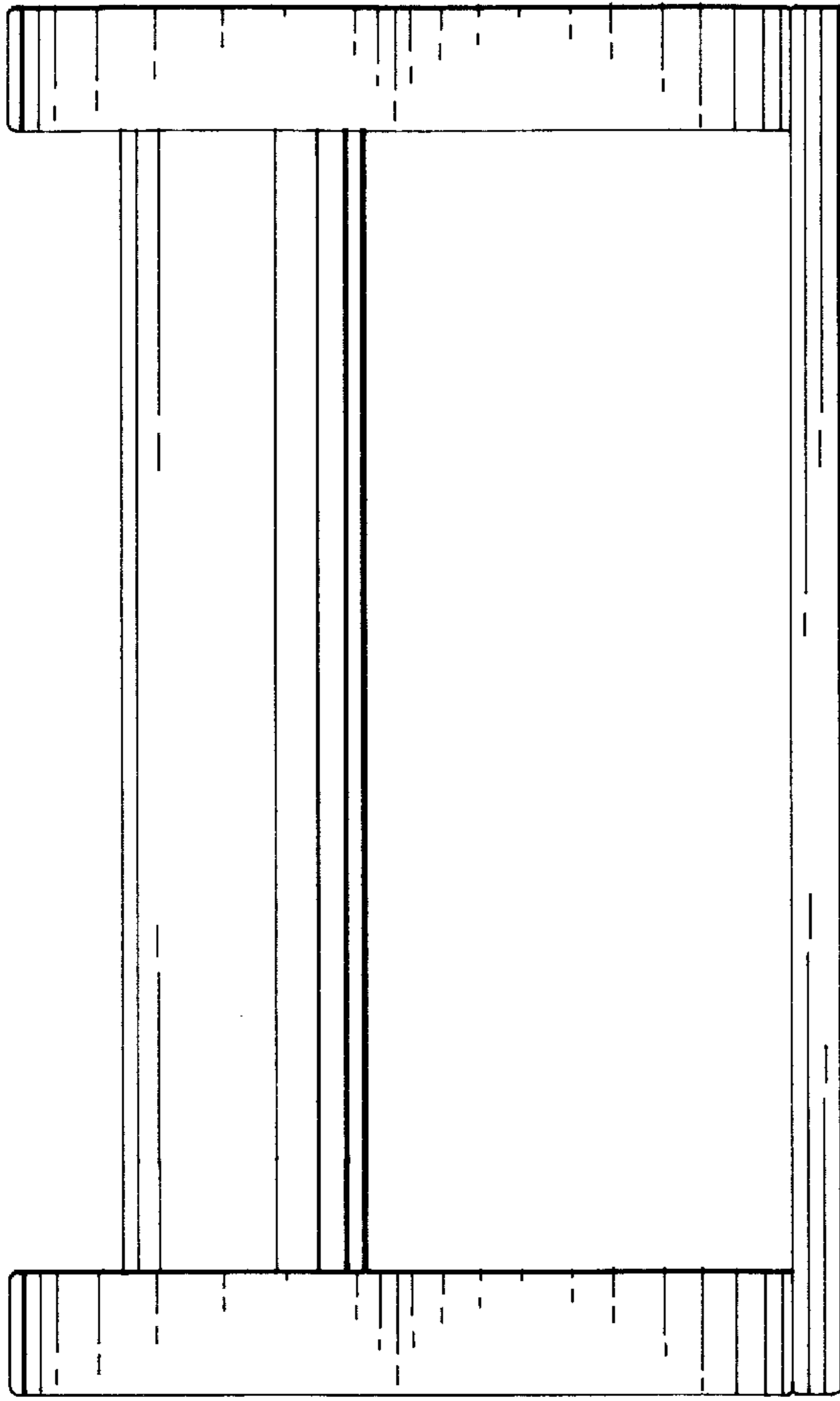


FIG. 6

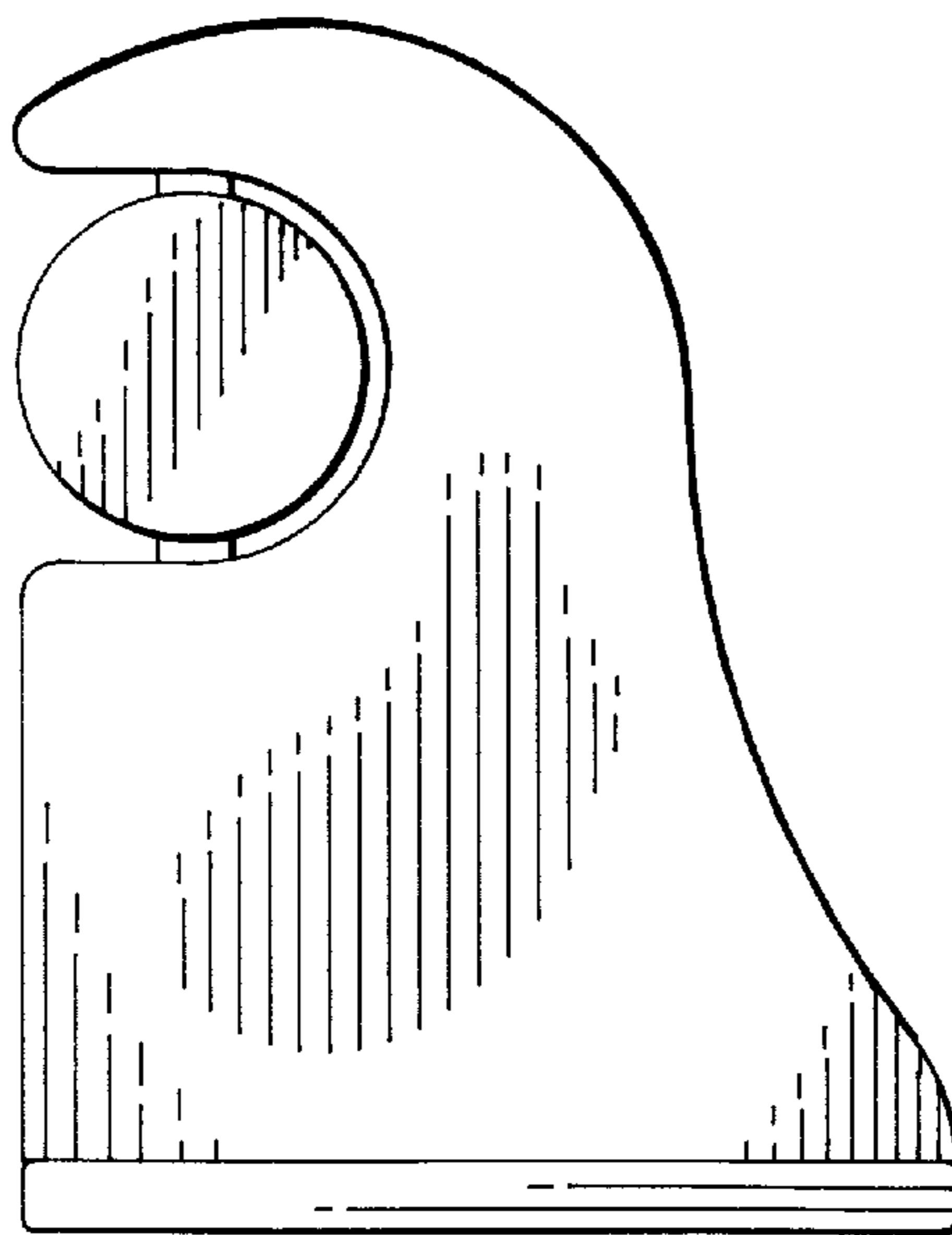


FIG. 5

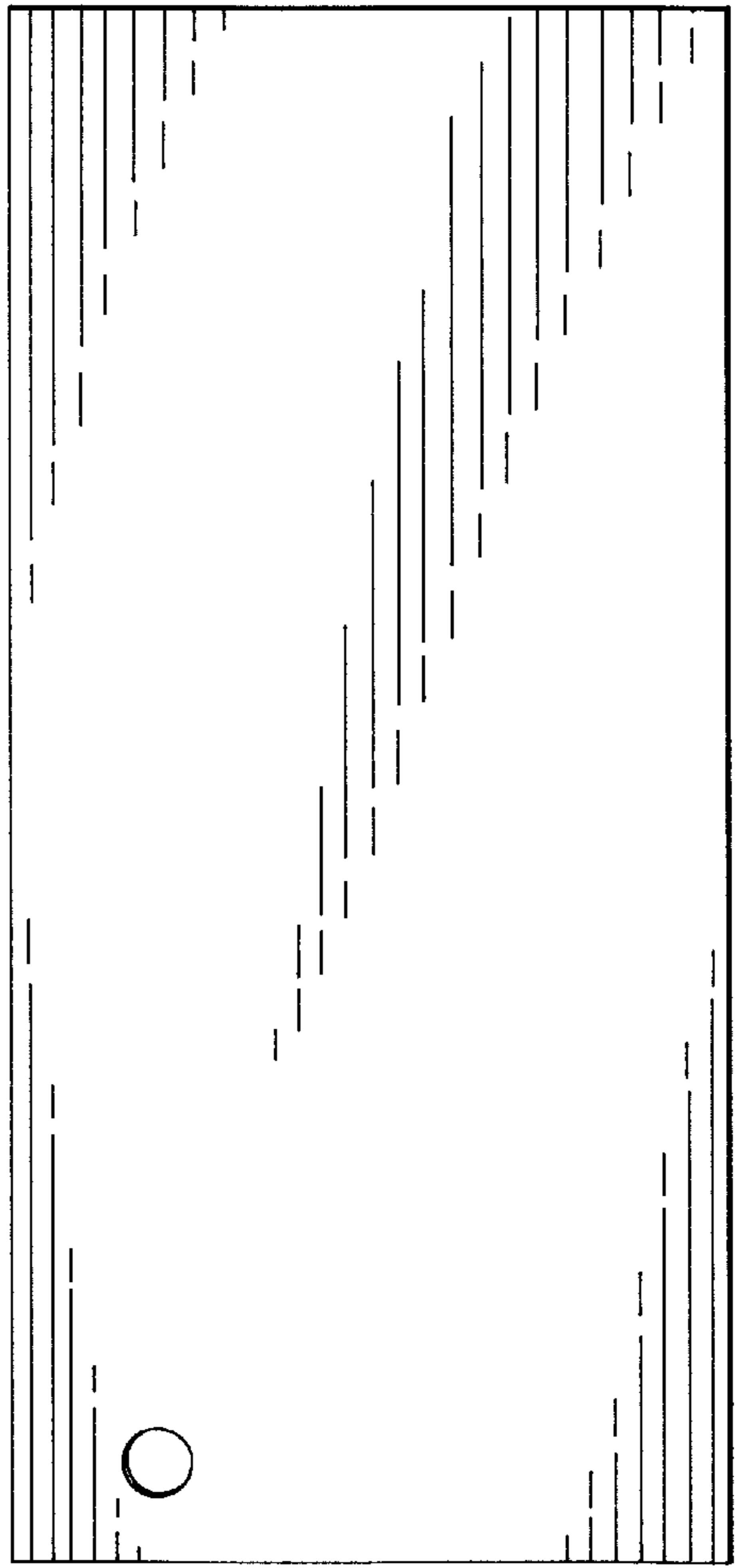


FIG. 7