



US00D406203S

# United States Patent [19] Cheung

[11] **Patent Number: Des. 406,203**

[45] **Date of Patent: \*\*Mar. 2, 1999**

[54] **DISPLAY CONTAINER**

[75] Inventor: **Hoi Hung Cheung**, Hong Kong, Hong Kong

[73] Assignee: **Qualipak Manufacturing Limited**, Hong Kong, Hong Kong

[\*\*] Term: **14 Years**

[21] Appl. No.: **73,775**

[22] Filed: **Jul. 17, 1997**

[51] **LOC (6) Cl.** ..... **06-06**

[52] **U.S. Cl.** ..... **D6/470; D11/157; D11/131**

[58] **Field of Search** ..... D11/117, 121, D11/131, 157, 164; D26/2; D9/307; D6/470, 472; 40/409, 410; 428/11, 13; 313/315, 316

[56] **References Cited**

**U.S. PATENT DOCUMENTS**

D. 105,082	6/1937	Birdseye	.....	D26/2
D. 213,150	1/1969	McBain	.....	D6/472 X
D. 283,592	4/1986	Quarrell et al.	.....	D6/472 X
D. 357,645	4/1995	Wang	.....	D11/164
2,405,261	8/1946	Levi et al.	.....	313/315
2,780,746	2/1957	Arnott	.....	313/315
2,842,700	7/1958	Jacobs	.....	313/315

4,296,352	10/1981	Berlec et al.	.....	313/315
4,686,411	8/1987	Sands	.....	313/315
4,891,543	1/1990	DeBleyker	.....	313/315

*Primary Examiner*—Dominic Simone  
*Attorney, Agent, or Firm*—Reese Taylor

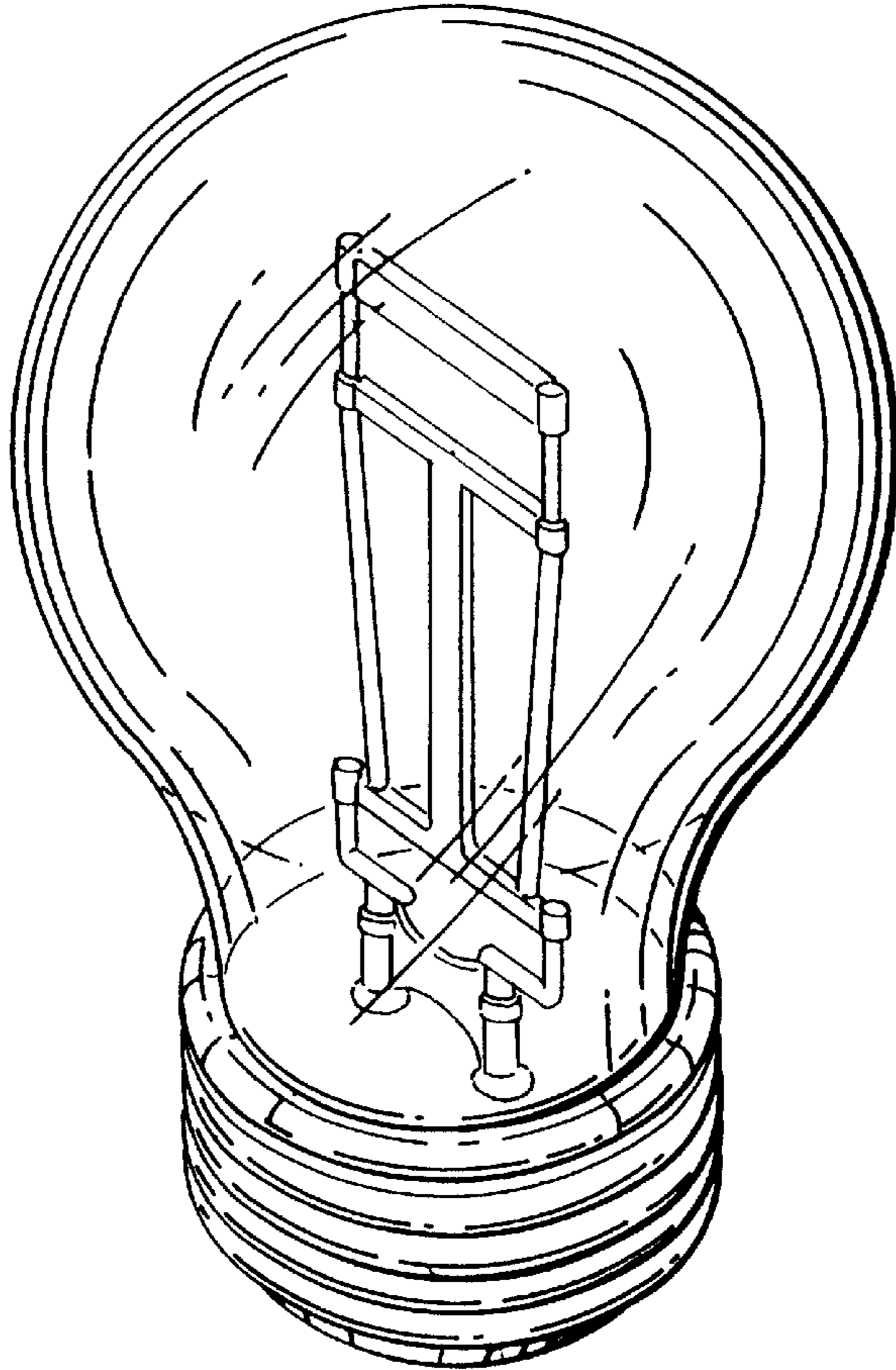
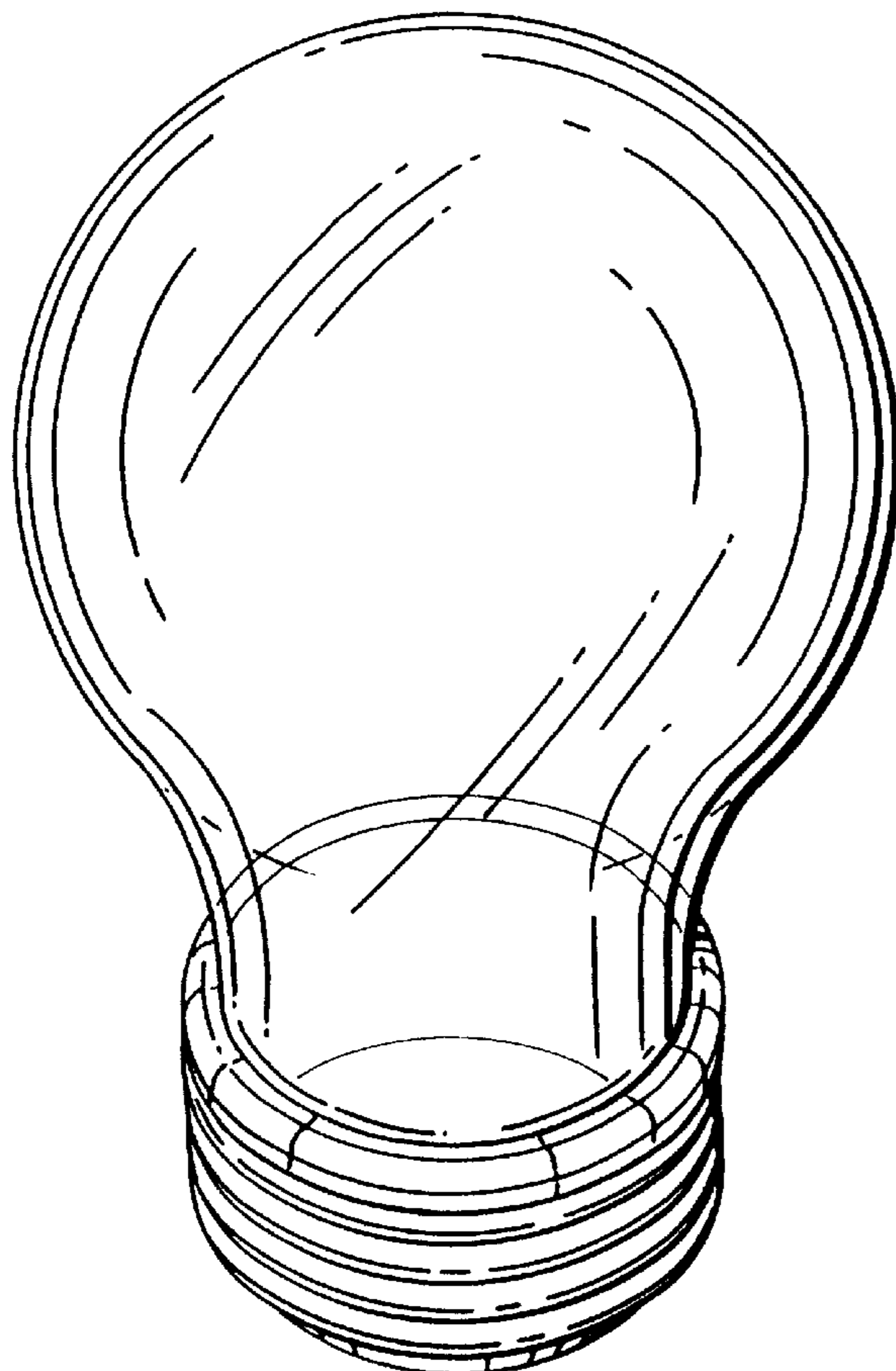
[57] **CLAIM**

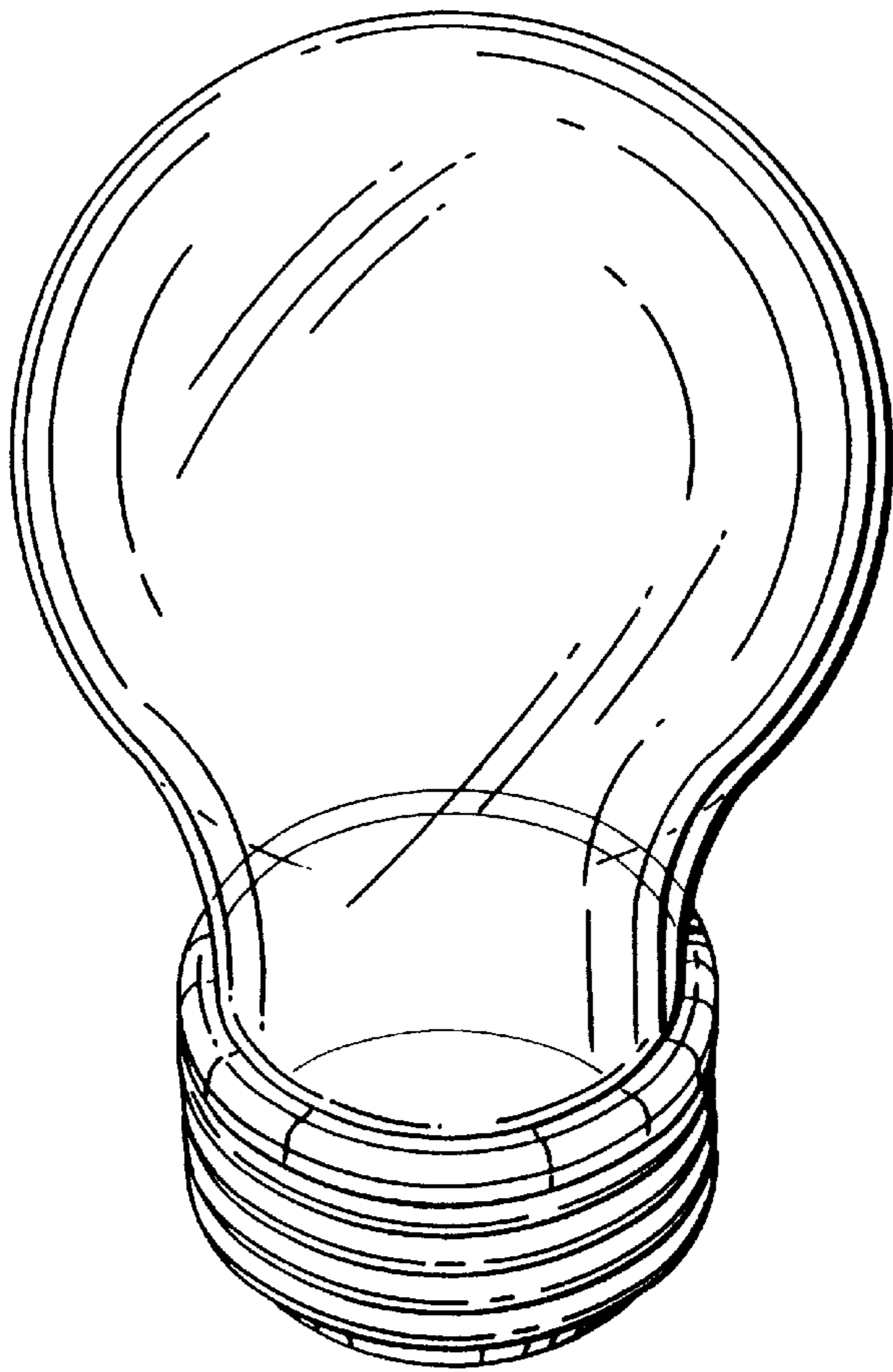
I claim the ornamental design for a display container, as shown and described.

**DESCRIPTION**

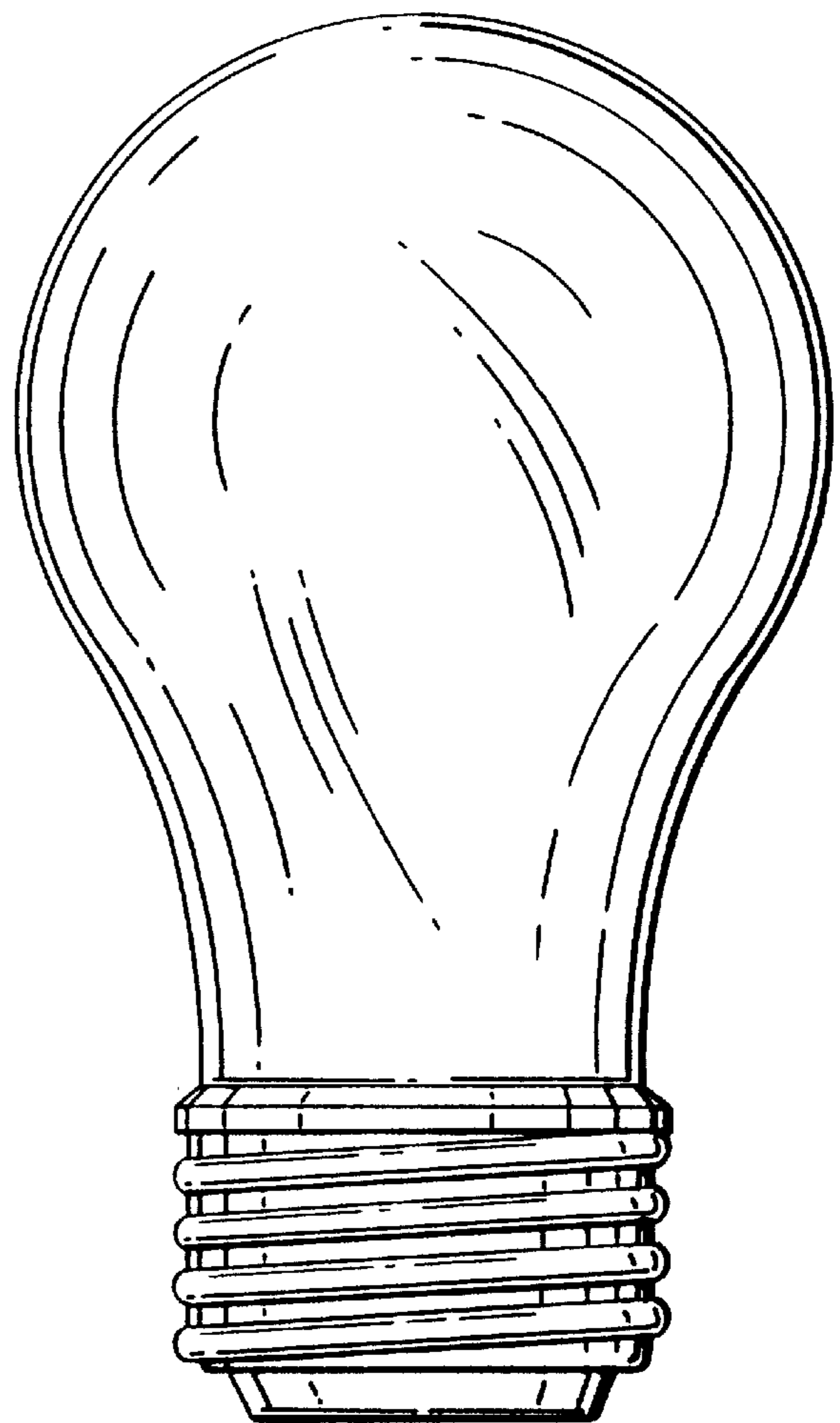
FIG. 1 is a perspective view showing my new design for a display container;  
 FIG. 2 is a front elevational view thereof, a rear view being a mirror image thereof;  
 FIG. 3 is a side elevational view thereof, the opposed side being a mirror image thereof;  
 FIG. 4 is a top plan view;  
 FIG. 5 is a bottom plan view;  
 FIG. 6 is a perspective view of a modified form of my design for a display container;  
 FIG. 7 is a front elevational view, the rear view being a mirror image thereof;  
 FIG. 8 is a side elevational view, the opposed side being a mirror image thereof;  
 FIG. 9 is a top plan view; and,  
 FIG. 10 is a bottom plan view.

**1 Claim, 5 Drawing Sheets**





*FIG. 1*



*FIG. 2*

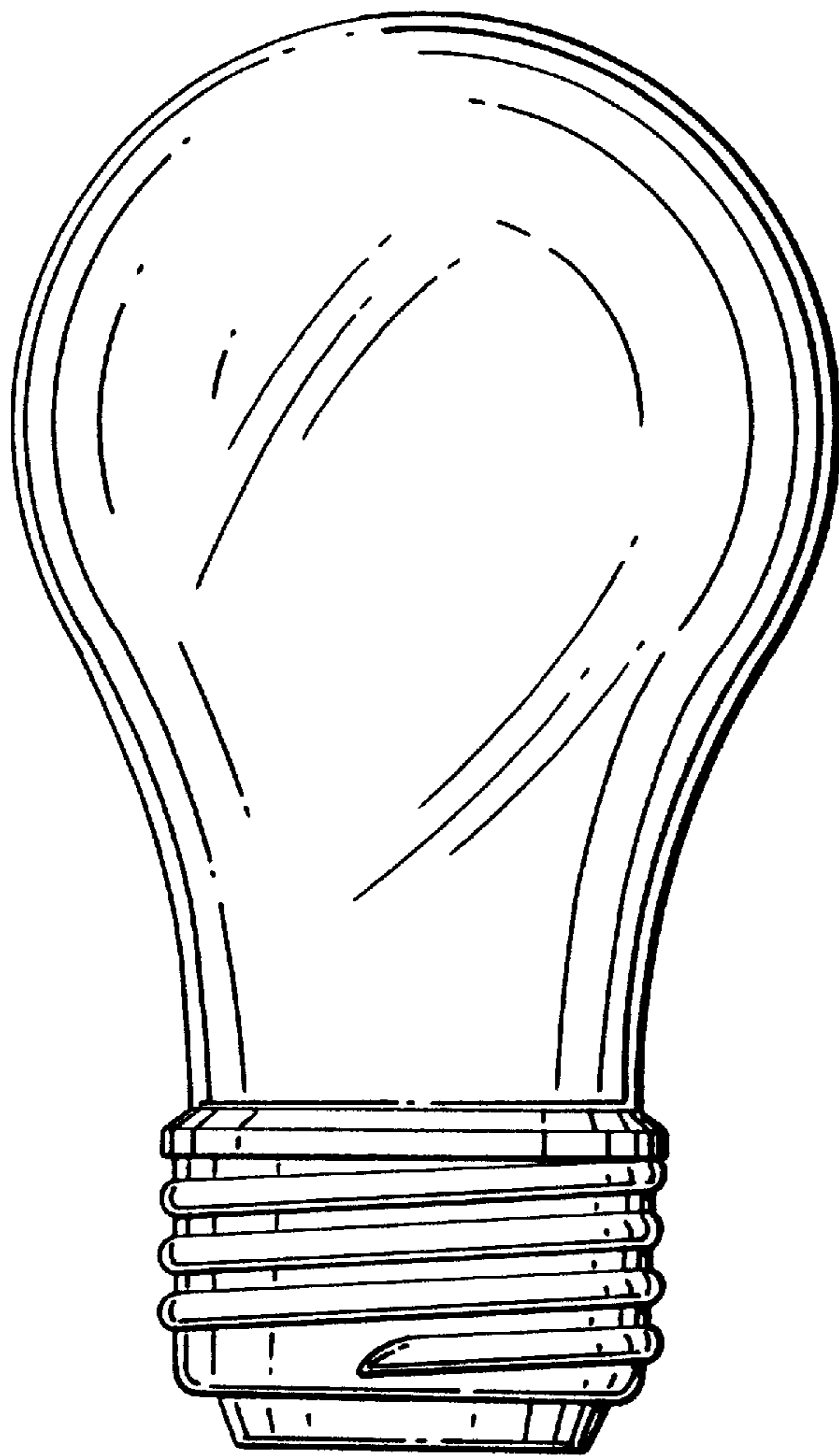


FIG. 3

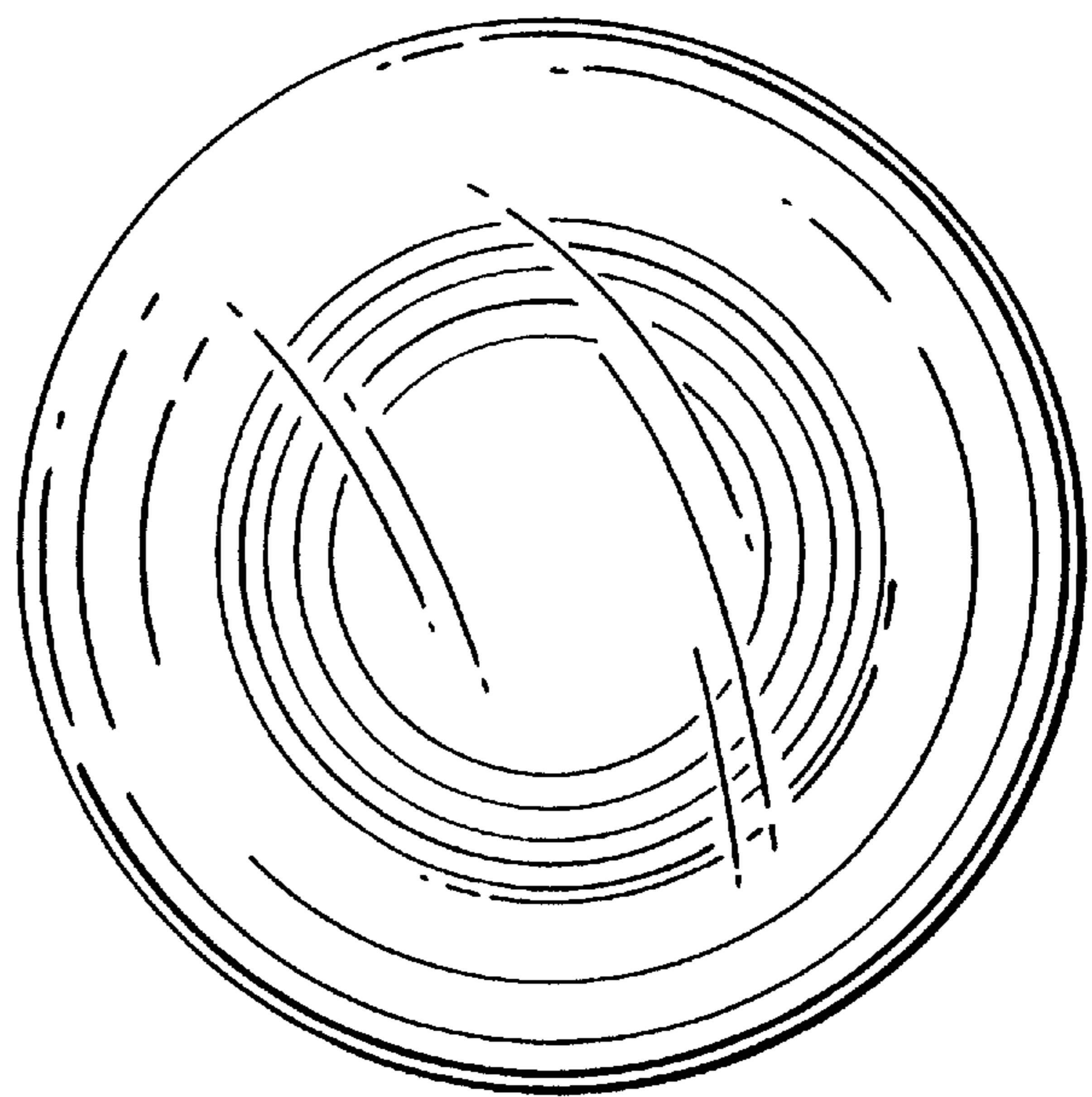


FIG. 4

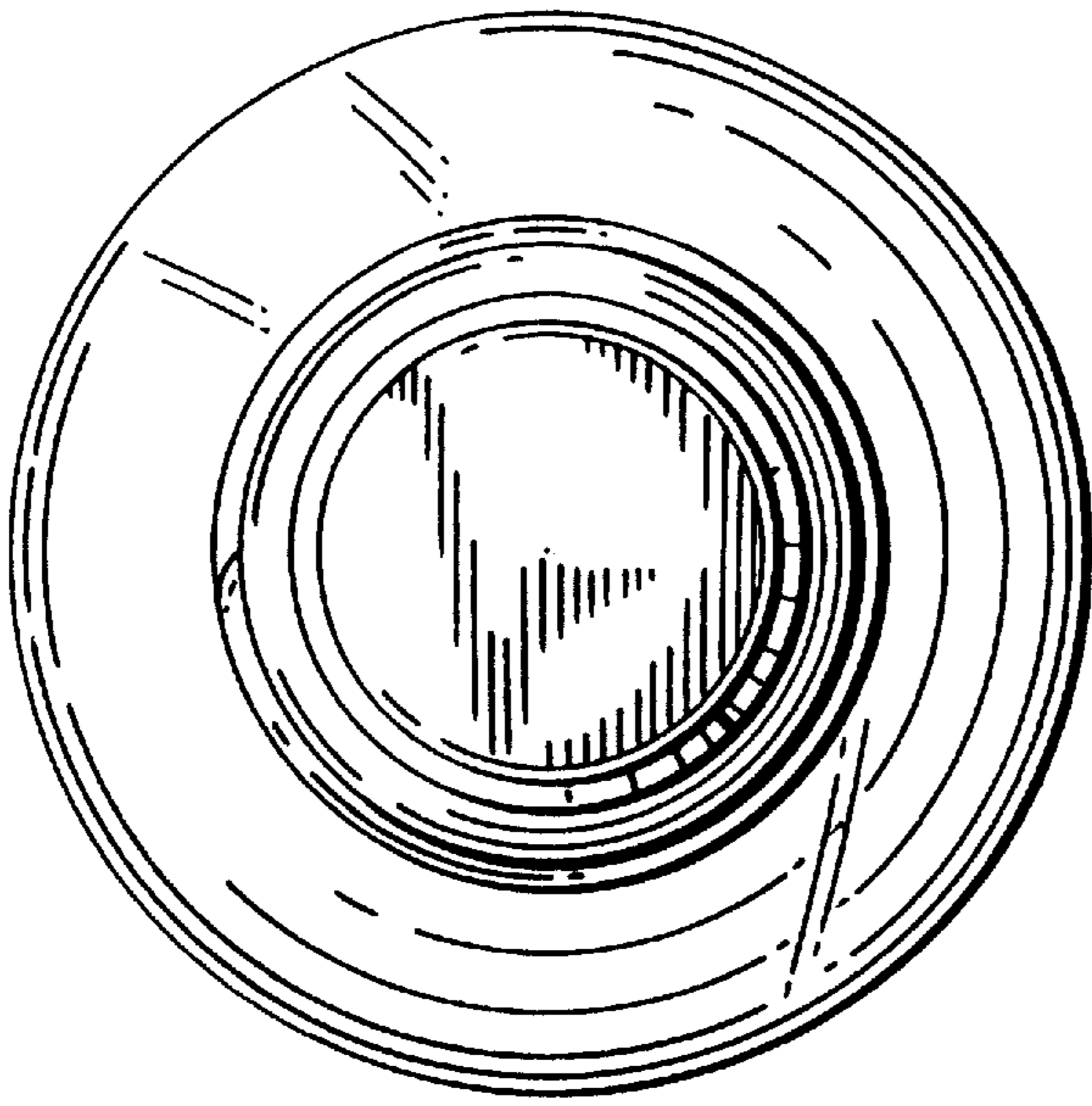


FIG. 5

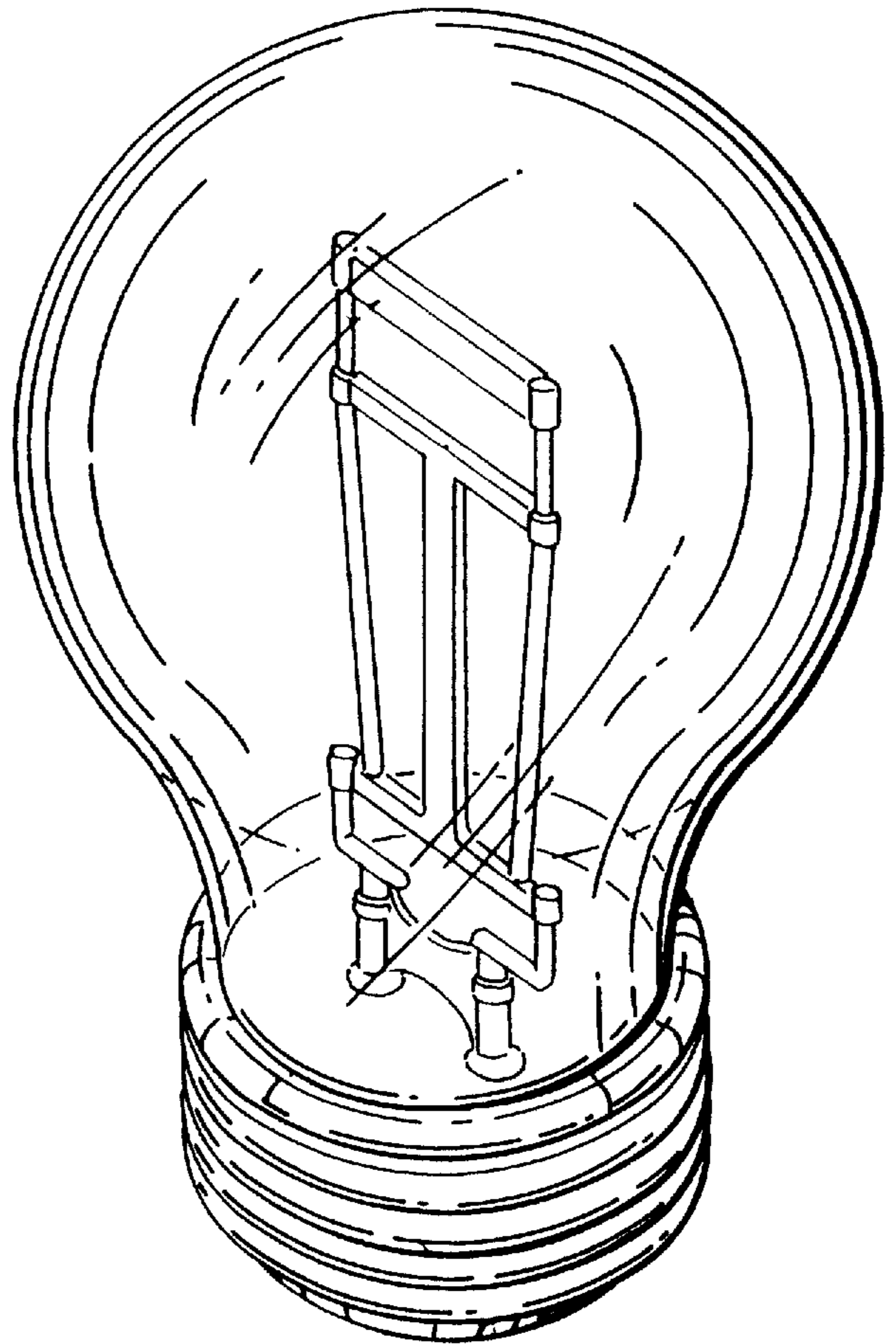


FIG. 6

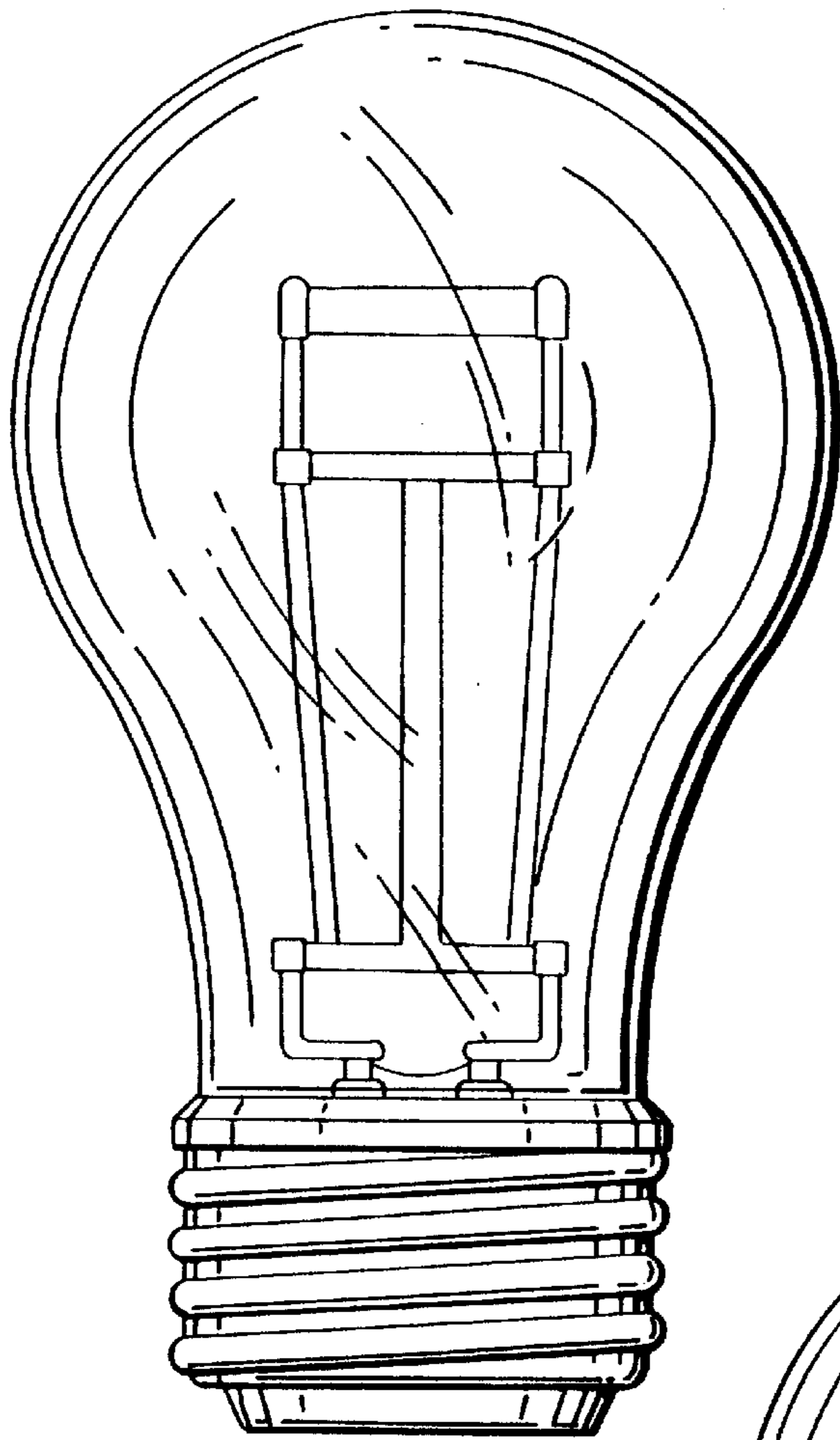
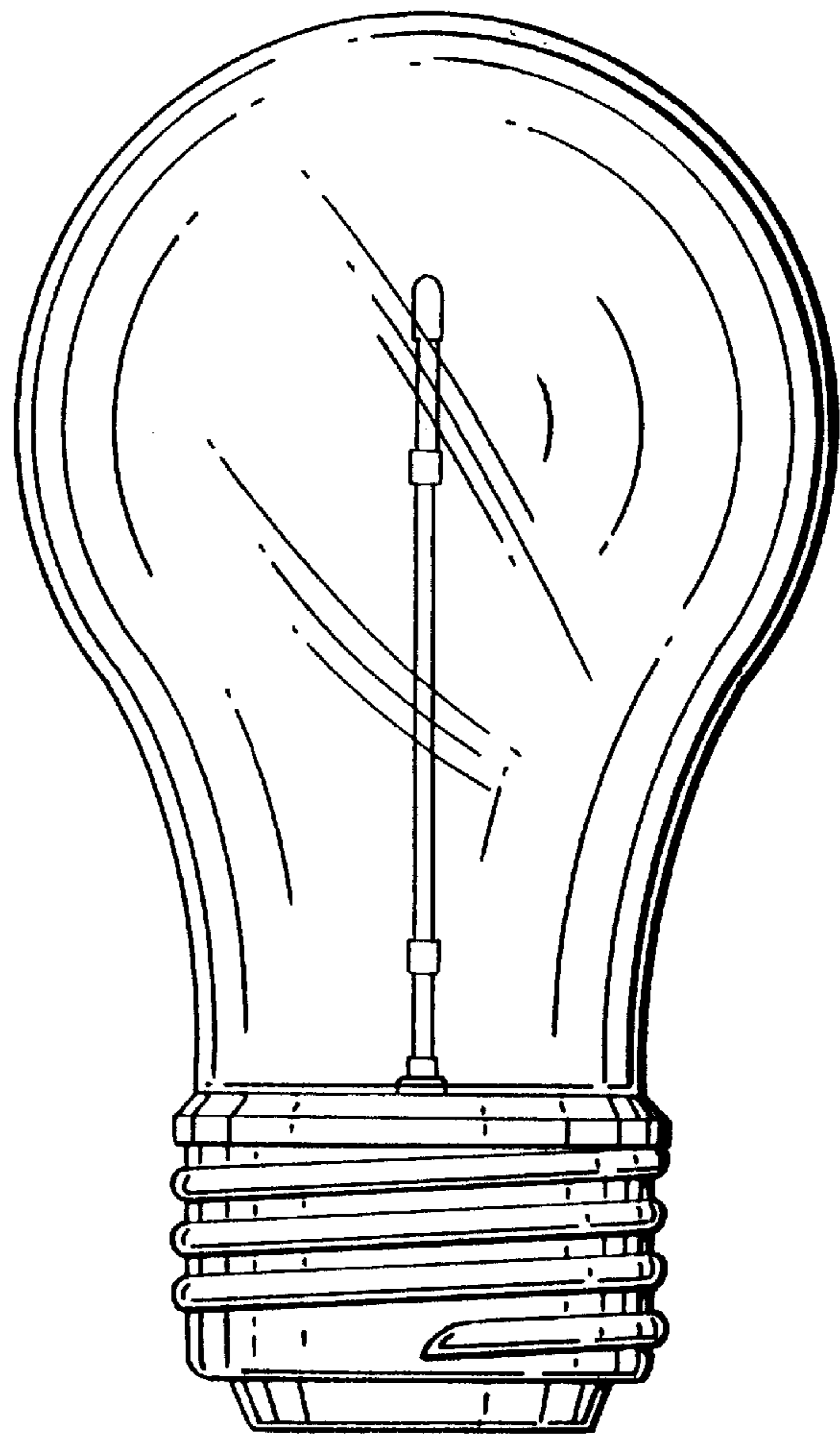
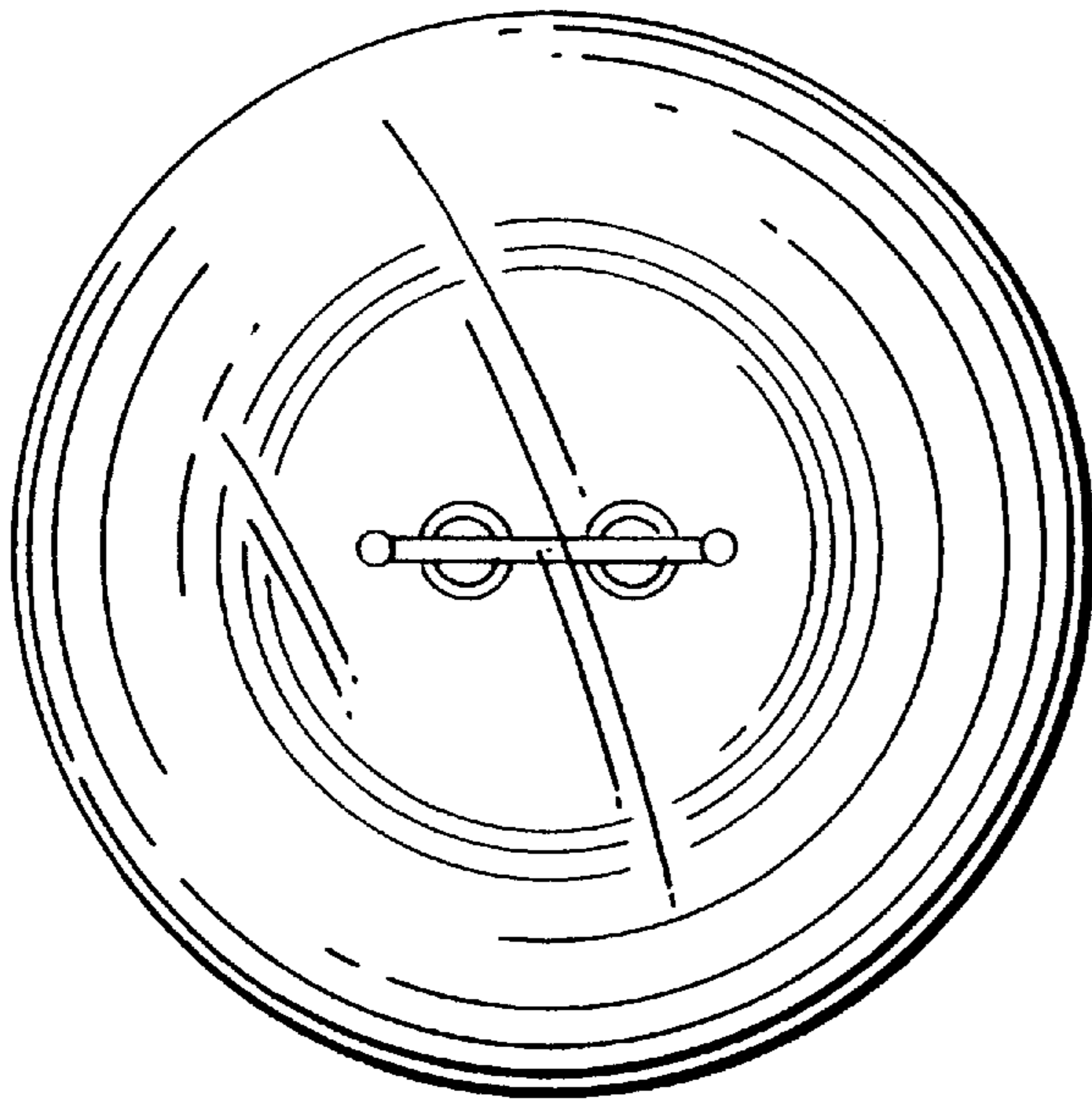


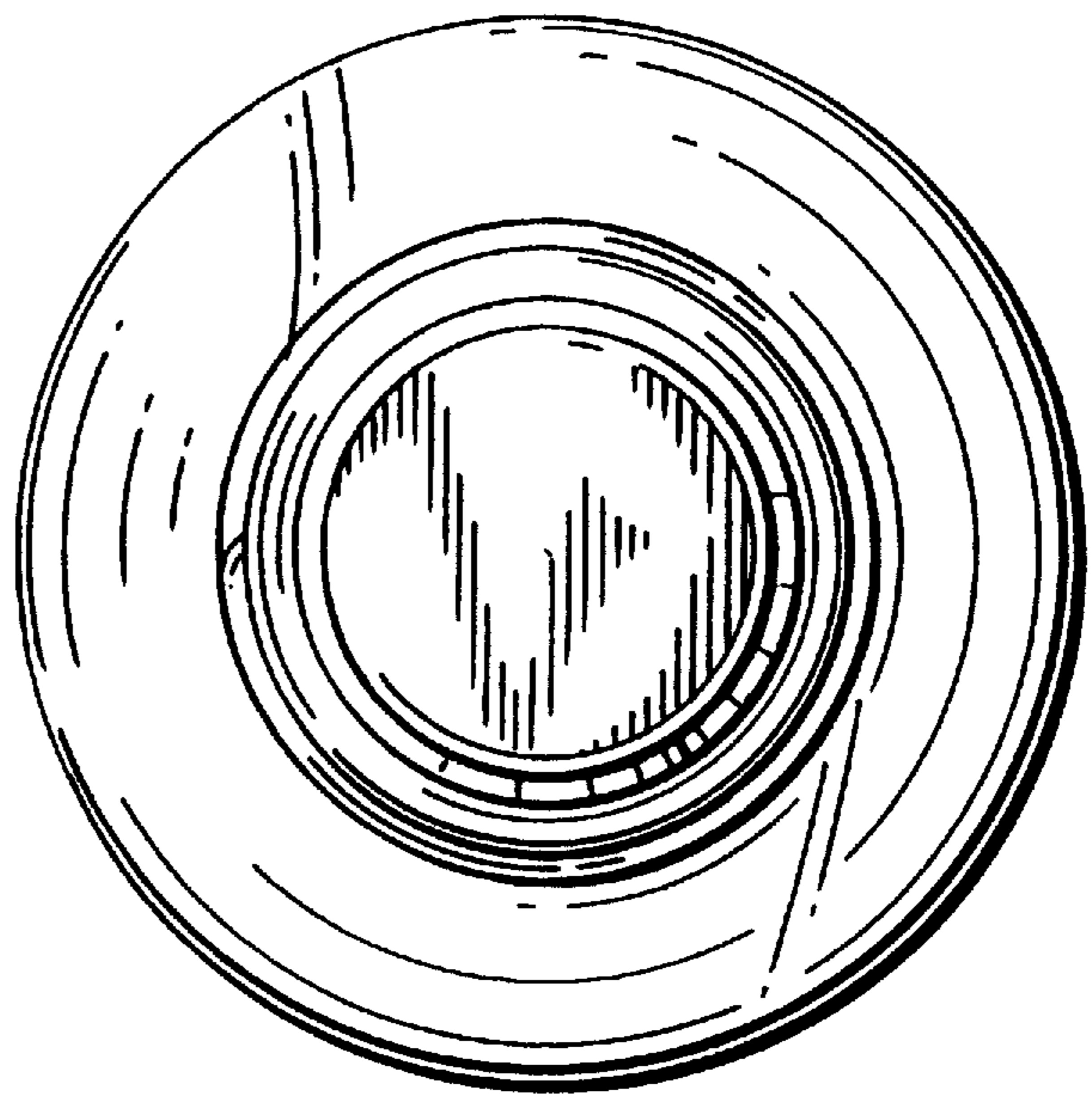
FIG. 7

FIG. 8





*FIG. 9*



*FIG. 10*