



US00D406201S

# United States Patent [19]

Olson et al.

[11] Patent Number: Des. 406,201

[45] Date of Patent: \*\*Mar. 2, 1999

[54] **MOBILE WORKSTATION**

[75] Inventors: **Ogden R. Olson**, Muscatine, Iowa;  
**Mark Wubben**, Sulfur Springs, Tex.;  
**Osama Abusada**, Iowa City; **Clayton C. Schmidt**, Wilton, both of Iowa

[73] Assignee: **HON Technology Inc.**, Muscatine, Iowa

[\*\*] Term: **14 Years**

[21] Appl. No.: **71,725**

[22] Filed: **Jun. 2, 1997**

[51] **LOC (6) Cl.** ..... **06-04**

[52] **U.S. Cl.** ..... **D6/426; D6/474; D34/21**

[58] **Field of Search** ..... **D6/421-431, 474, D6/477-479; 312/194-196, 223.2, 223.3; D34/21; D18/45**

[56] **References Cited**

**U.S. PATENT DOCUMENTS**

D. 274,586	7/1984	Cope et al.	.....	D6/474 X
D. 285,134	8/1986	Schunter	.....	D34/21
D. 296,143	6/1988	Bettess	.....	D34/21
D. 304,112	10/1989	Bettess	.....	D34/21
D. 305,710	1/1990	Ng et al.	.....	D6/474
D. 324,143	2/1992	Hammond	.....	D6/474
D. 331,339	12/1992	Keong	.....	D6/474
D. 334,310	3/1993	Keong	.....	D6/474
D. 339,441	9/1993	Marchant et al.	.....	D34/21
D. 371,879	7/1996	Linder	.....	D34/21
D. 373,668	9/1996	Linder	.....	D34/21
D. 386,869	11/1997	Dormon et al.	.....	D34/21
D. 394,965	6/1998	Fang	.....	D6/474

*Primary Examiner*—Carmen H. Vales-Lado  
*Attorney, Agent, or Firm*—Jones, Day, Reavis & Pogue

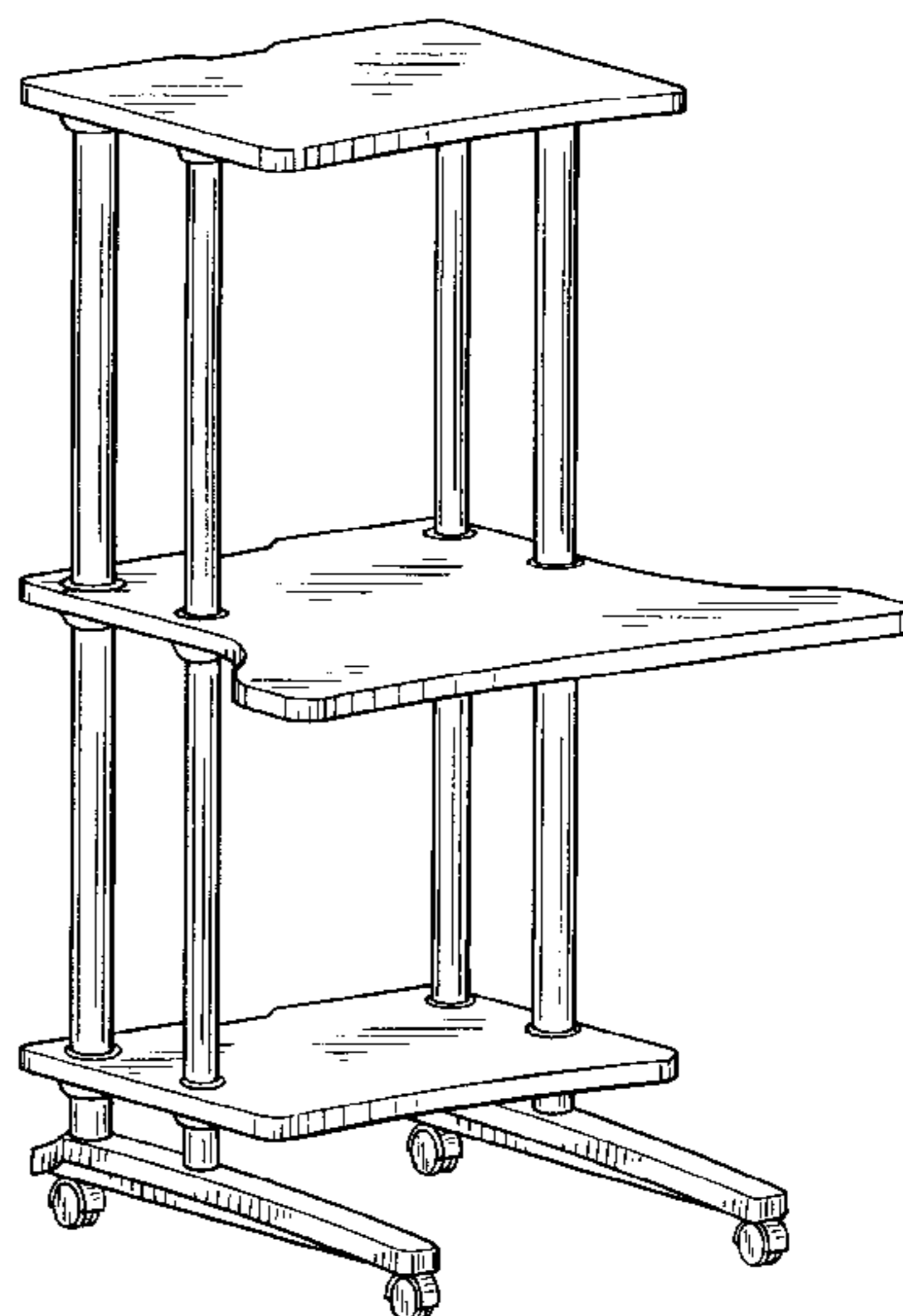
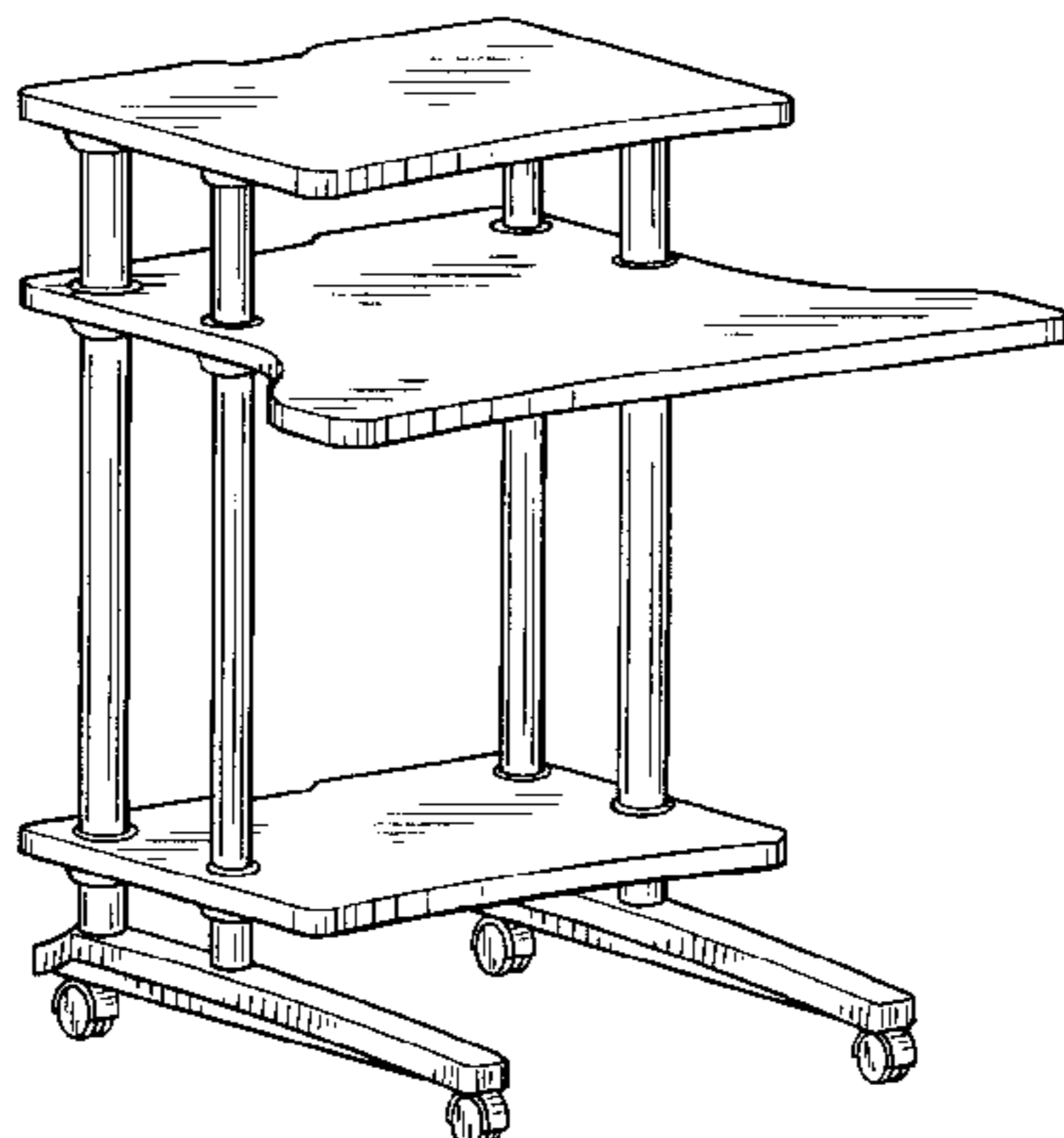
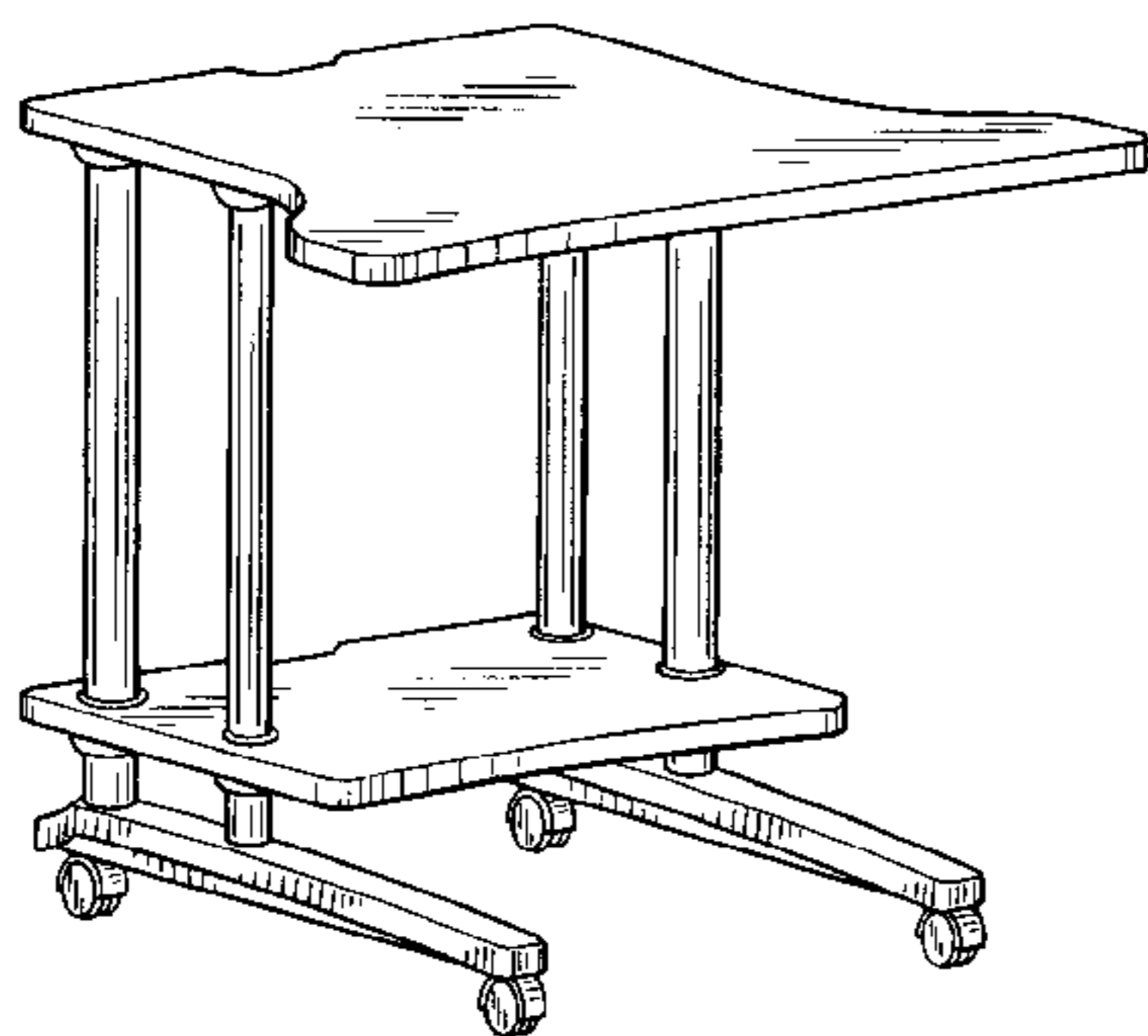
[57] **CLAIM**

The ornamental design for a mobile workstation, as shown and described.

**DESCRIPTION**

FIG. 1 is a front left perspective view of a mobile workstation showing our new design;  
 FIG. 2 is a right side elevational view, the opposite side view being a mirror image thereof;  
 FIG. 3 is a top plan view thereof;  
 FIG. 4 is a front elevational view thereof;  
 FIG. 5 is a rear elevational view thereof; and  
 FIG. 6 is a bottom view thereof;  
 FIG. 7 is a front left perspective view of a second embodiment of a mobile workstation showing our new design;  
 FIG. 8 is a front elevational view thereof;  
 FIG. 9 is a right side elevational view, the opposite side view being a mirror image thereof;  
 FIG. 10 is a rear elevational view thereof; and  
 FIG. 11 is a top plan view, the bottom view being identical to FIG. 6;  
 FIG. 12 is a front left perspective view of a third embodiment of a mobile workstation showing our new design;  
 FIG. 13 is a front elevational view thereof; and,  
 FIG. 14 is a right side elevational view, the opposite side being a mirror image thereof.  
 The top view of the third embodiment is identical to FIG. 11, the bottom is identical to FIG. 6 and the rear view is similar to FIG. 10 with the uppermost surface elevated.

**1 Claim, 11 Drawing Sheets**



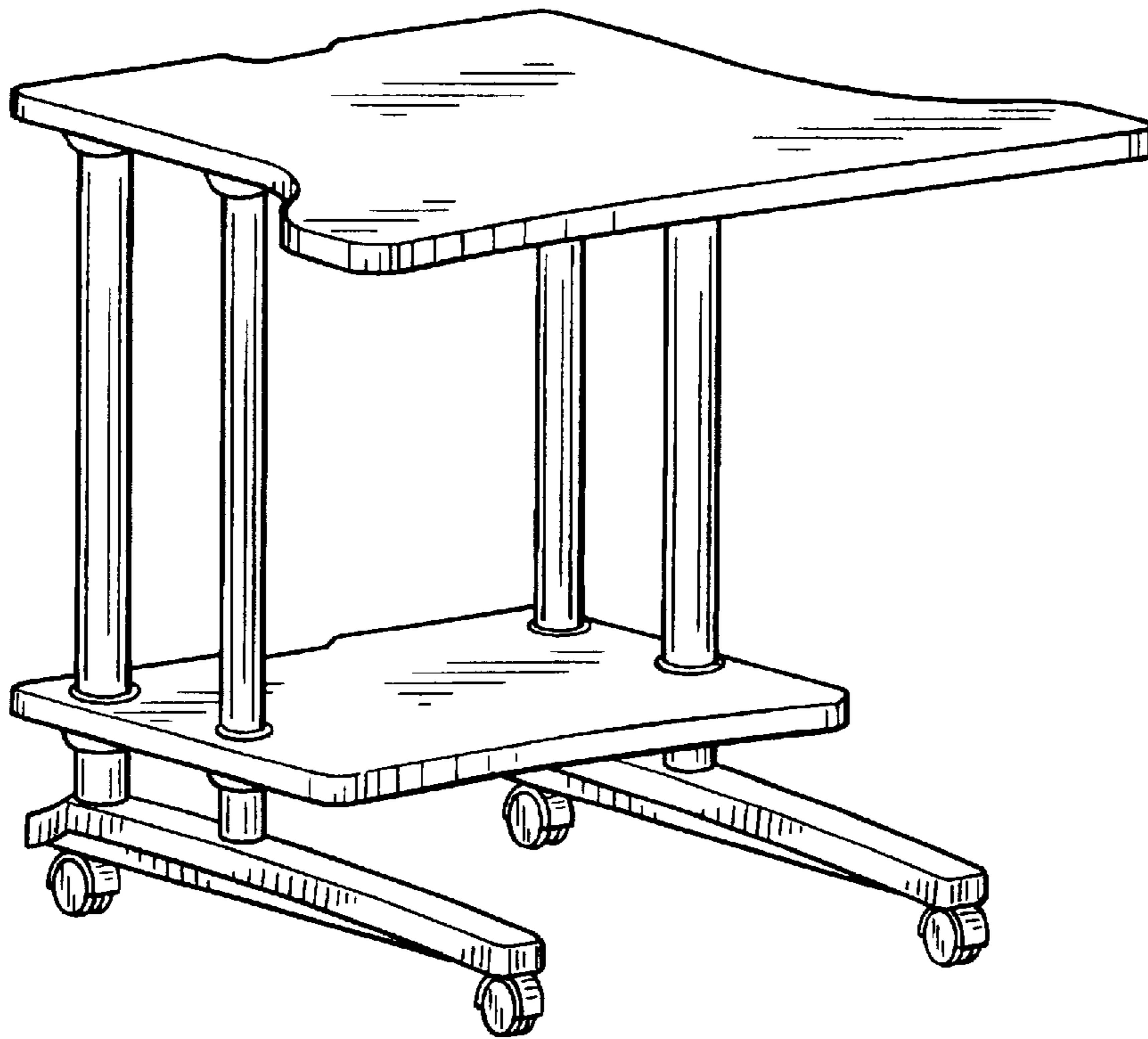


FIG. 1

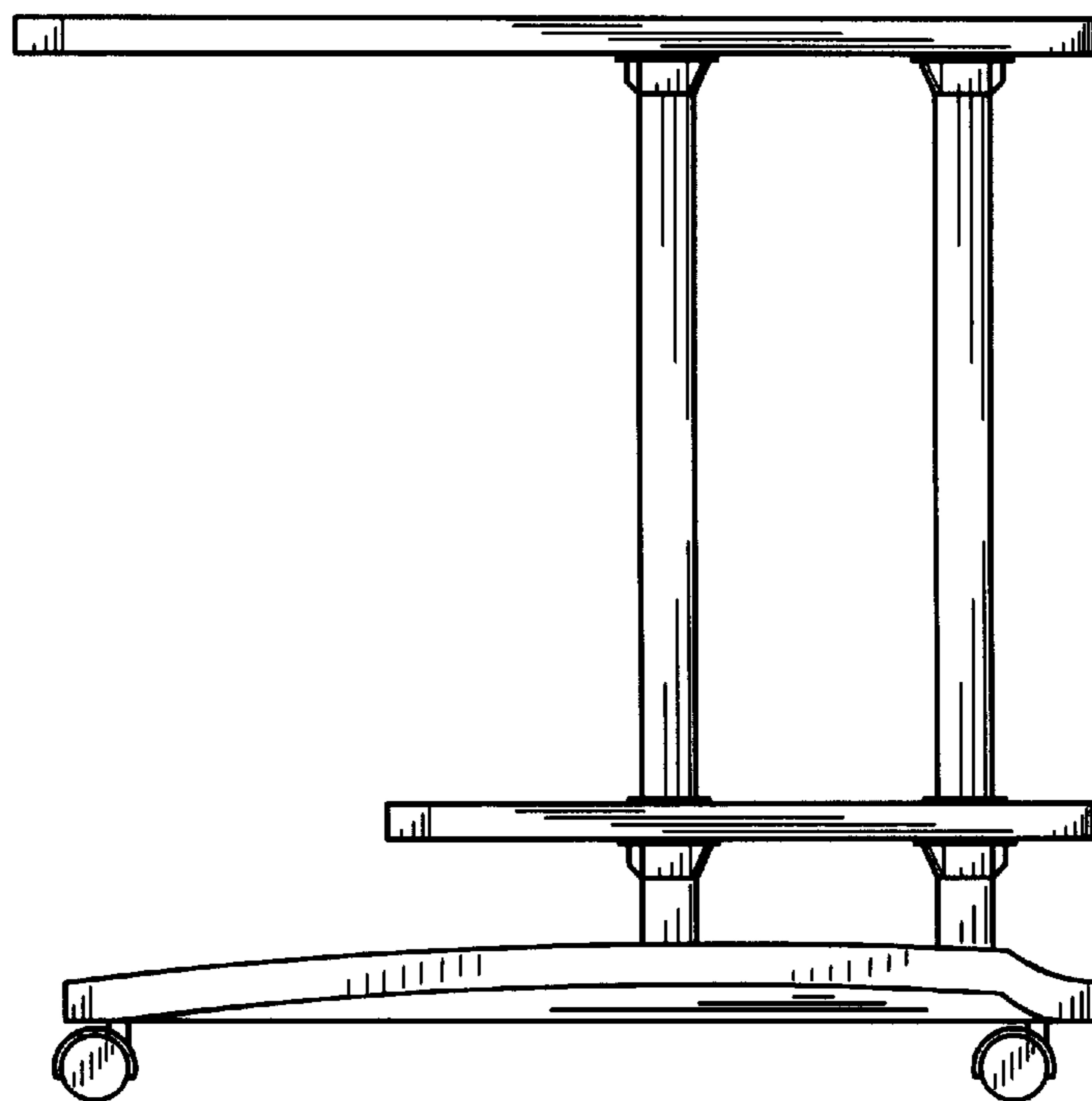


FIG. 2

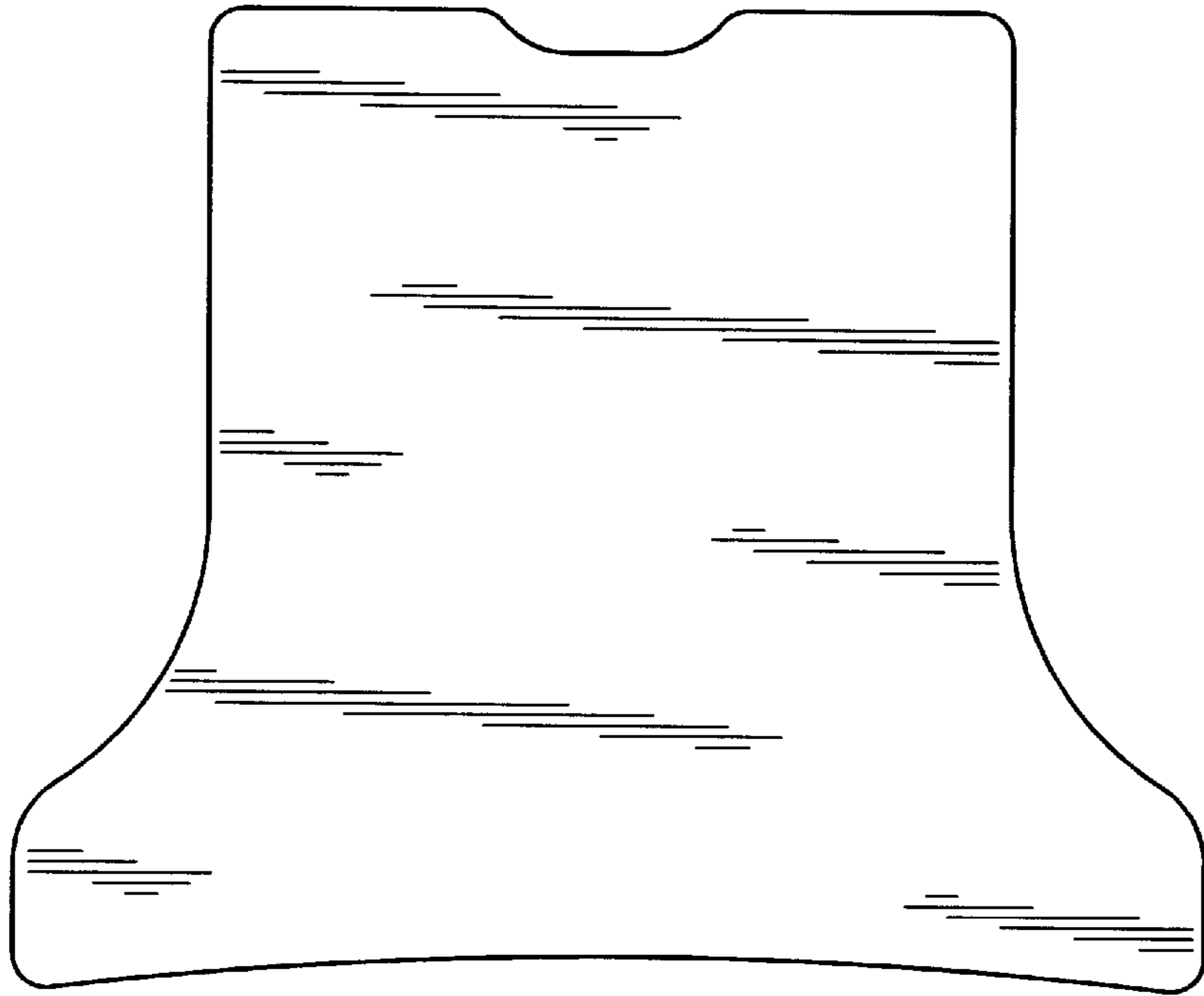


FIG. 3

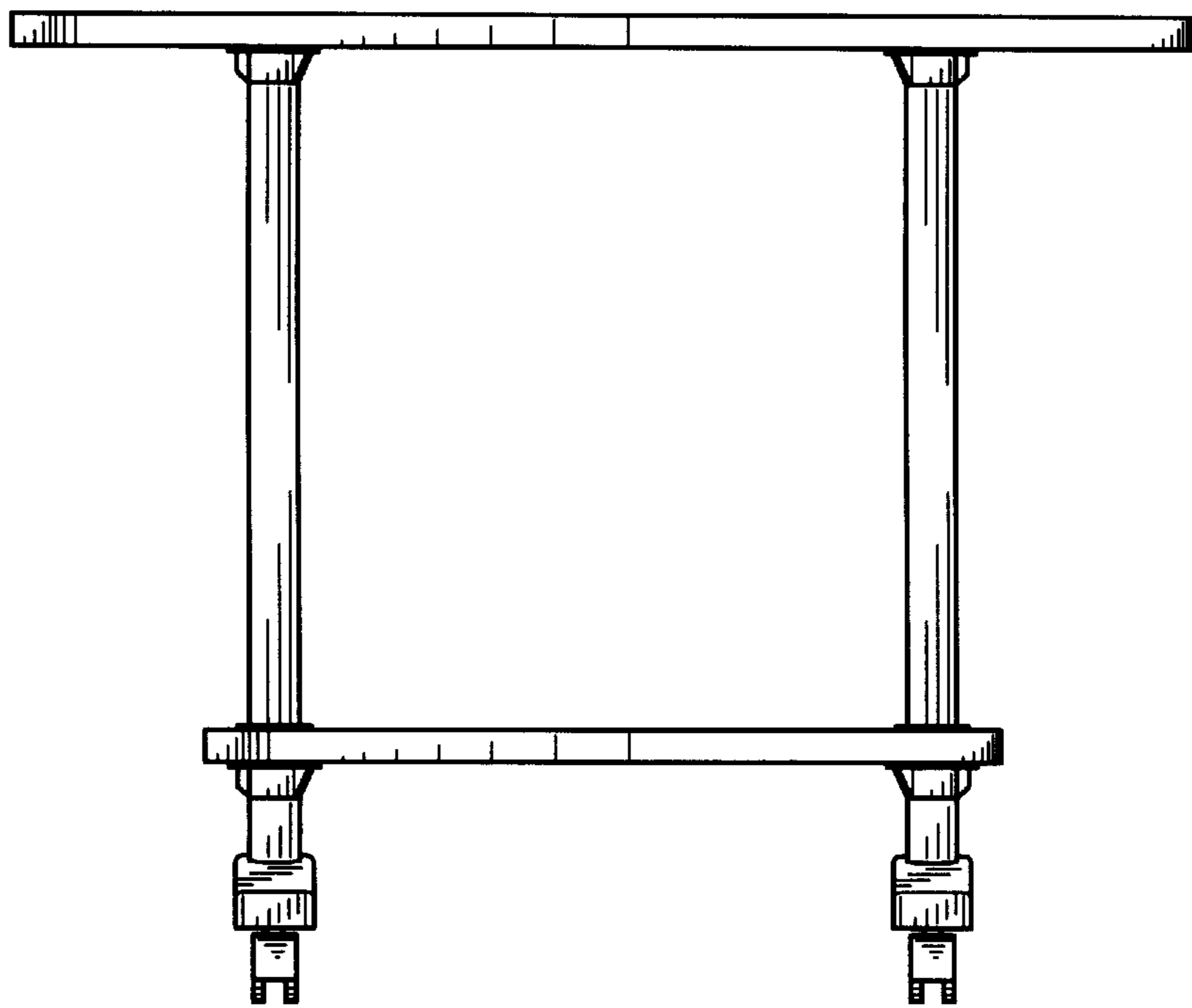


FIG. 4

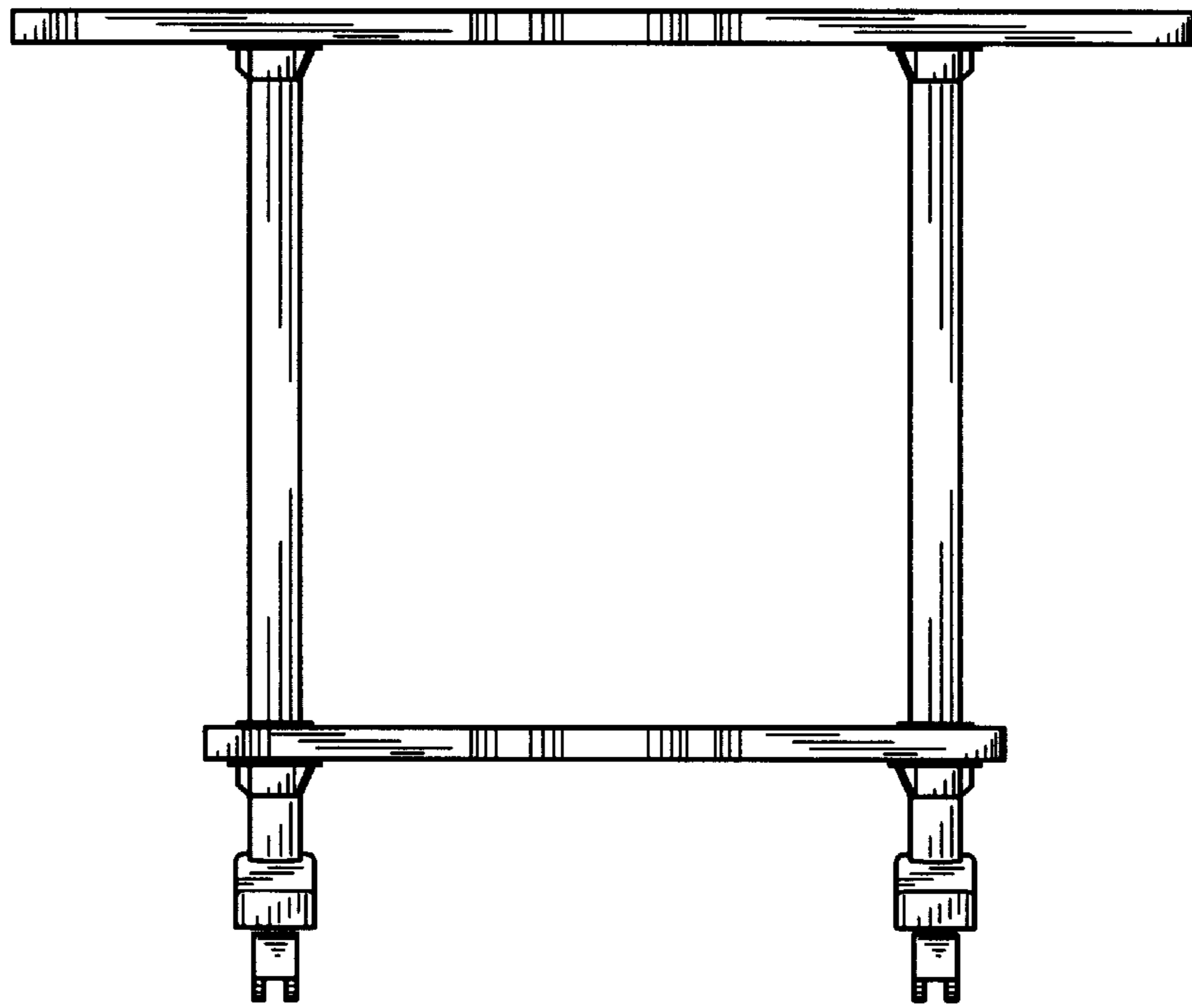


FIG. 5

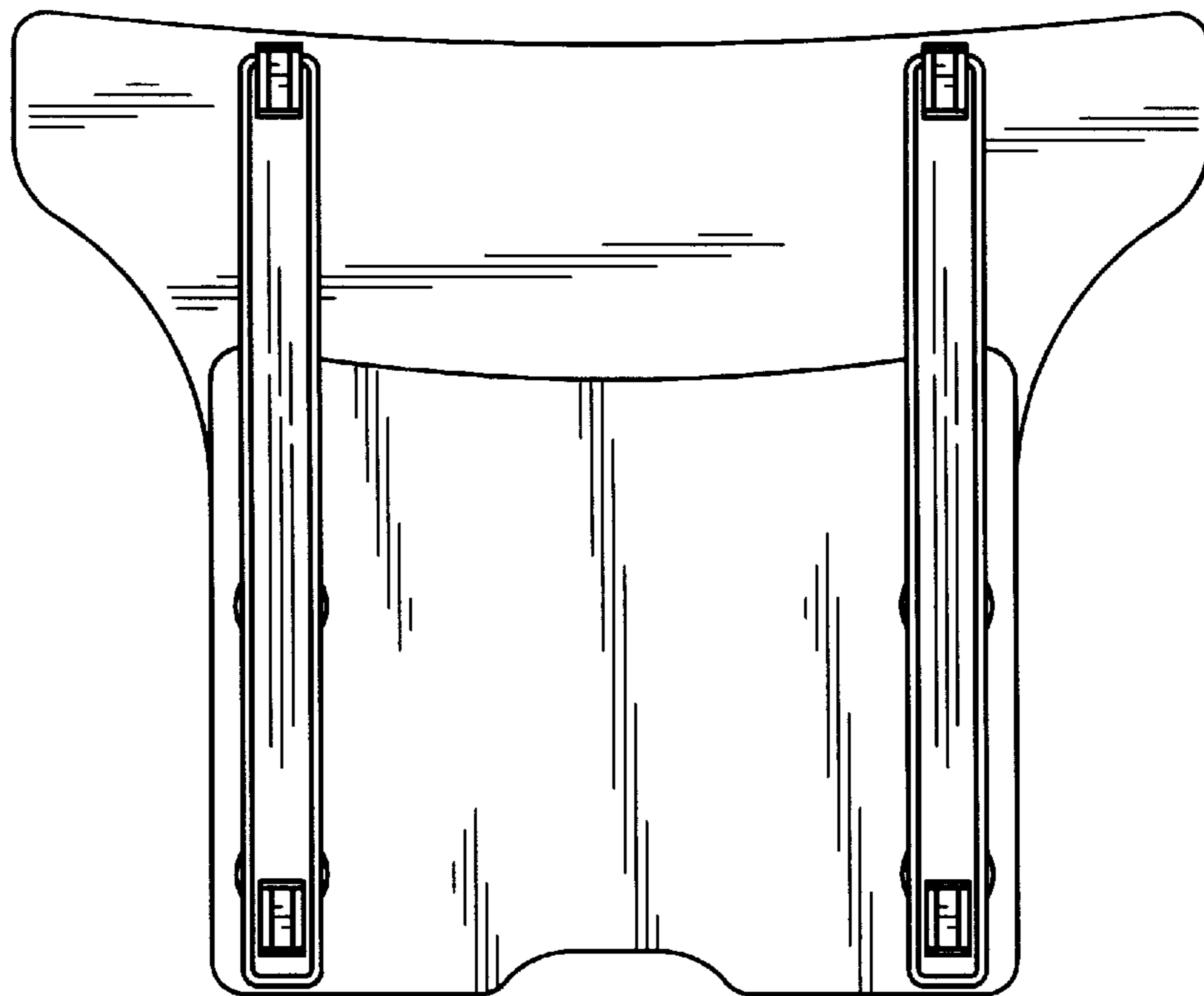


FIG. 6

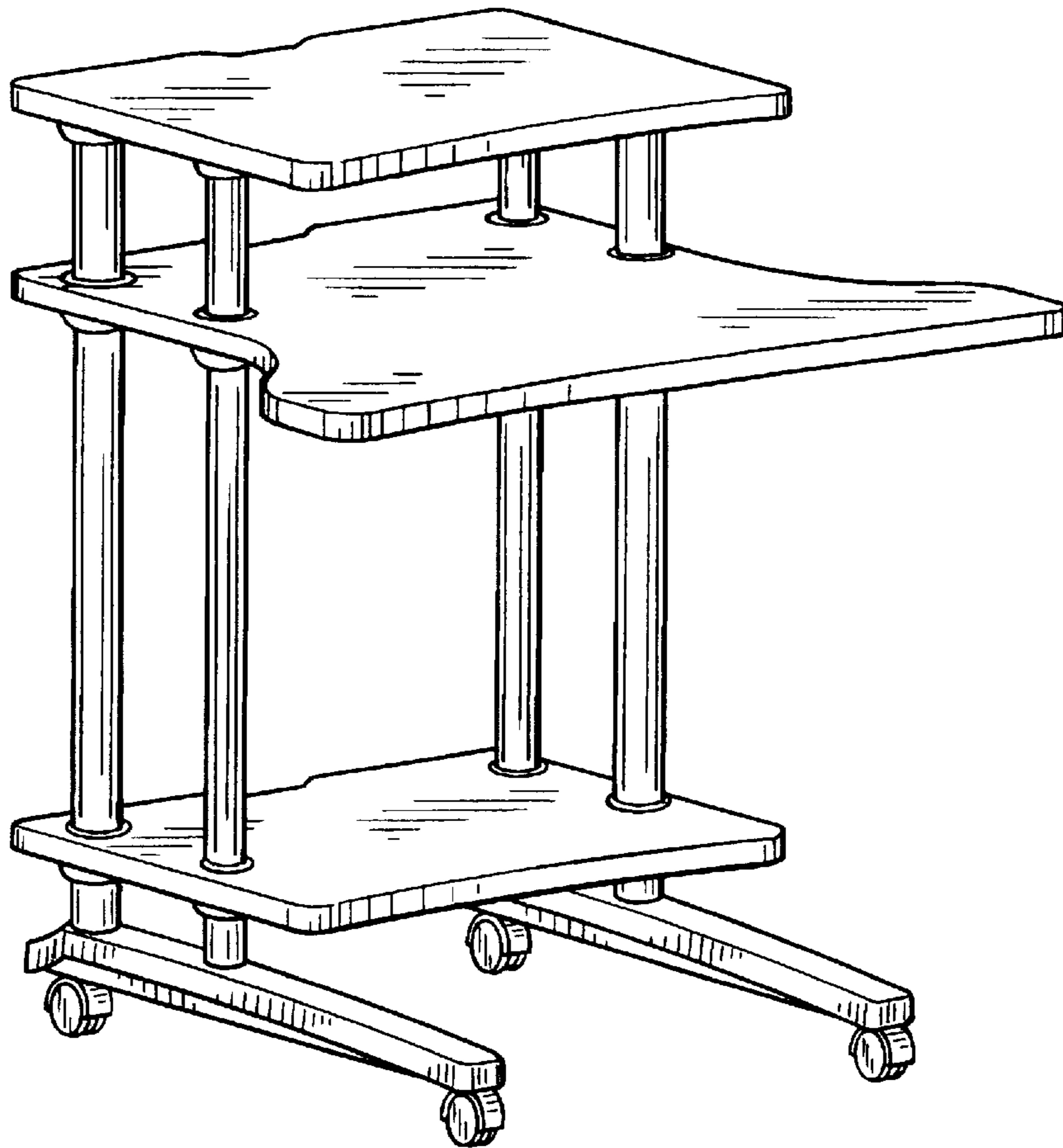


FIG. 7

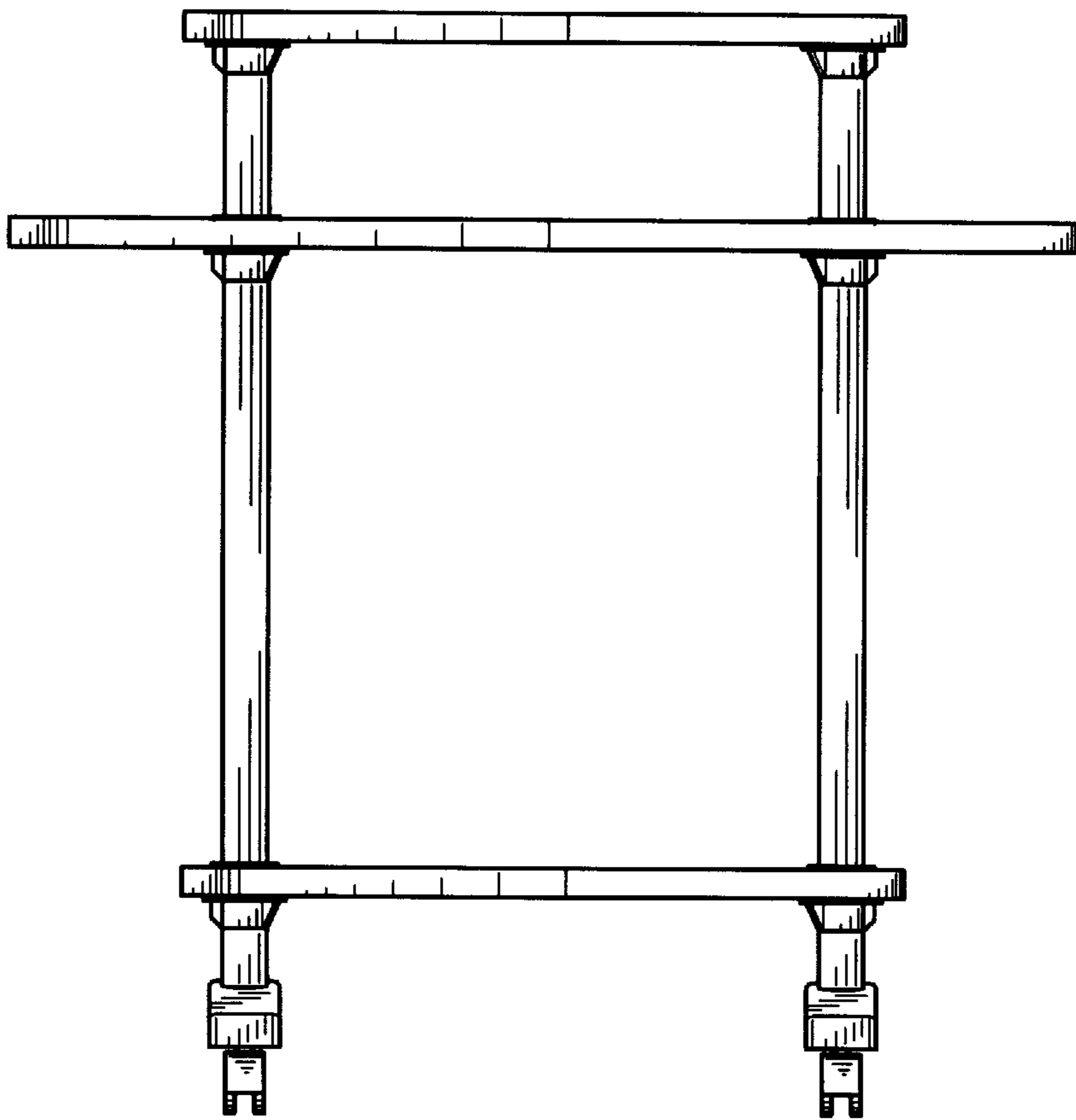


FIG. 8

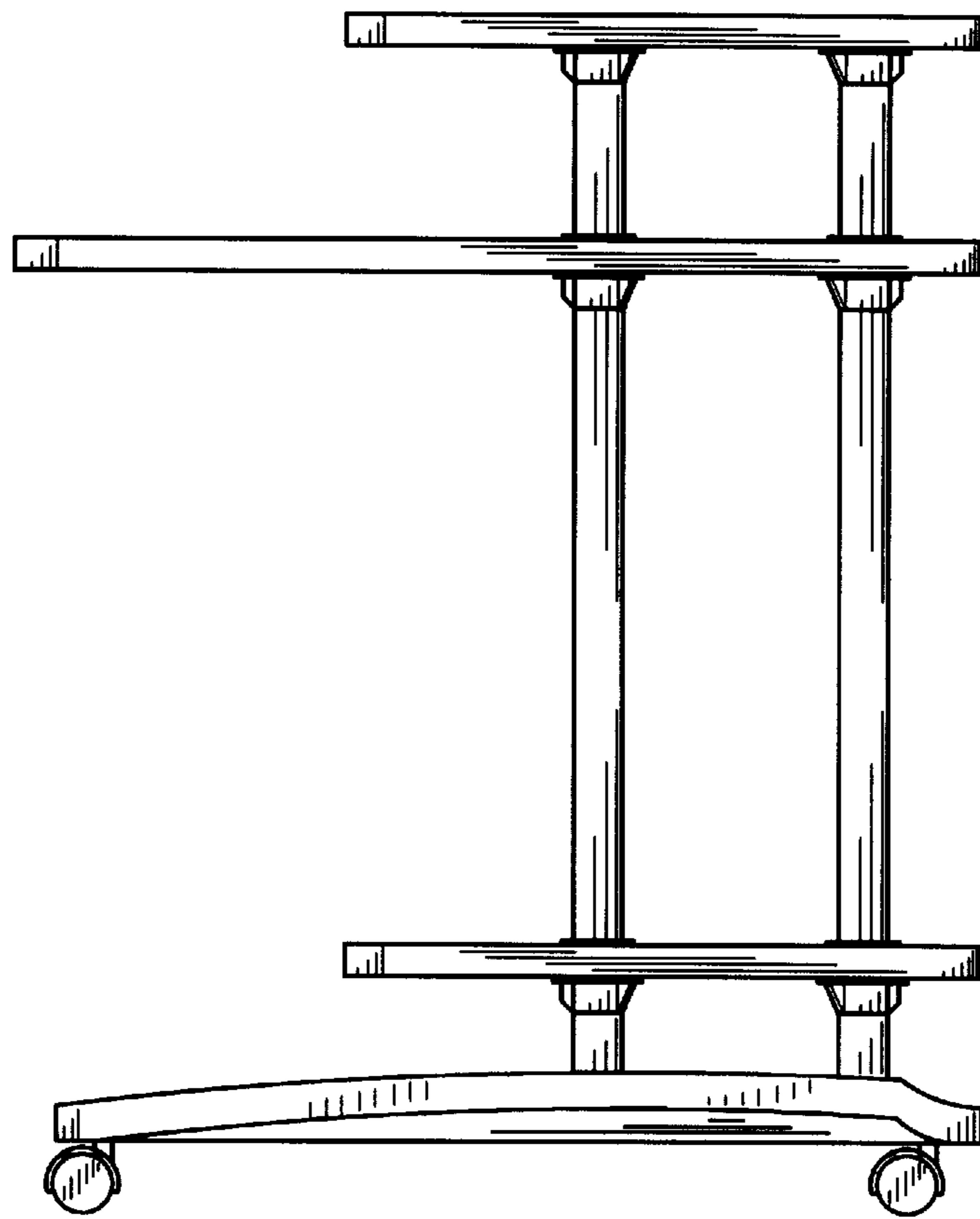


FIG. 9

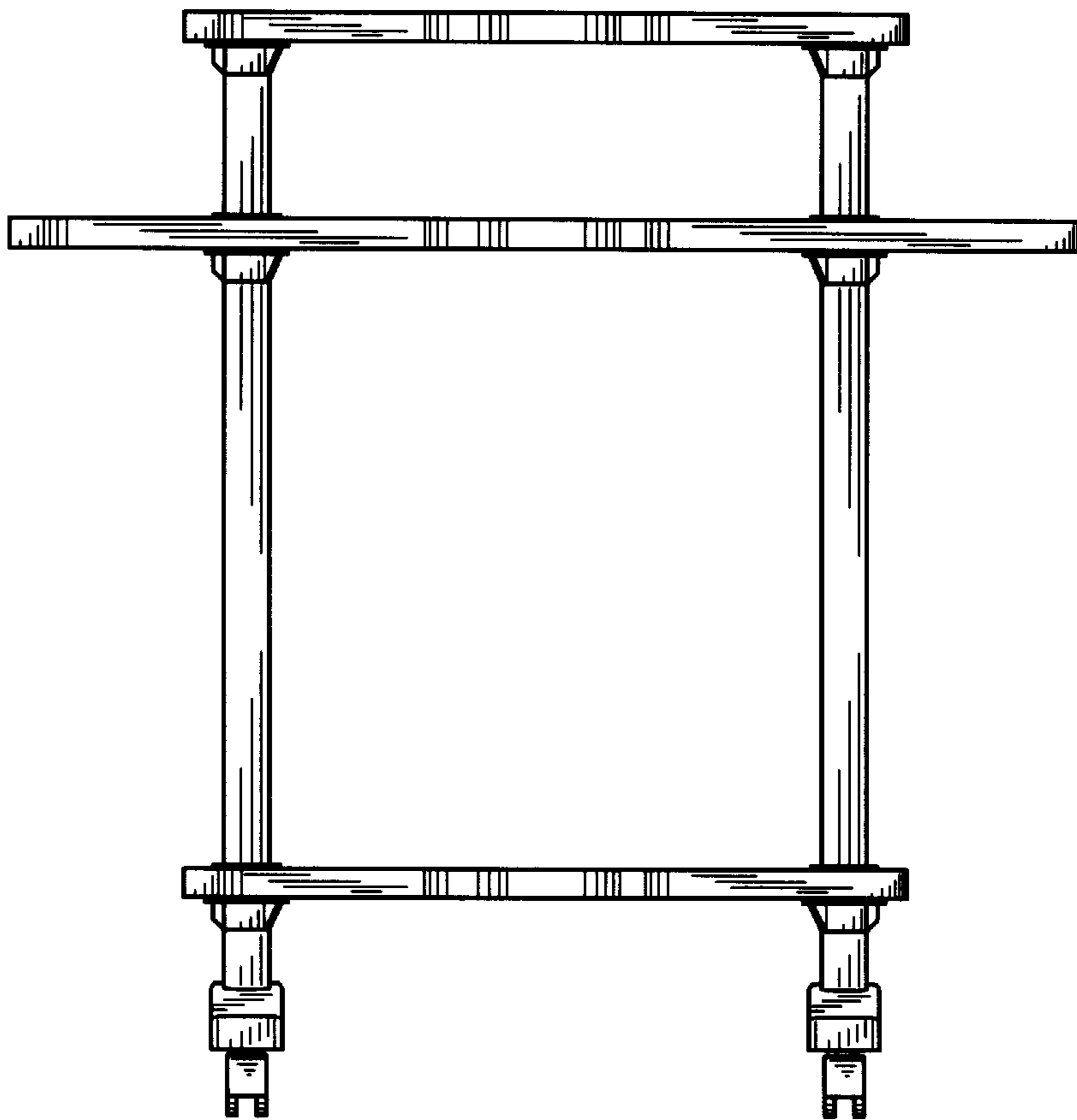


FIG. 10



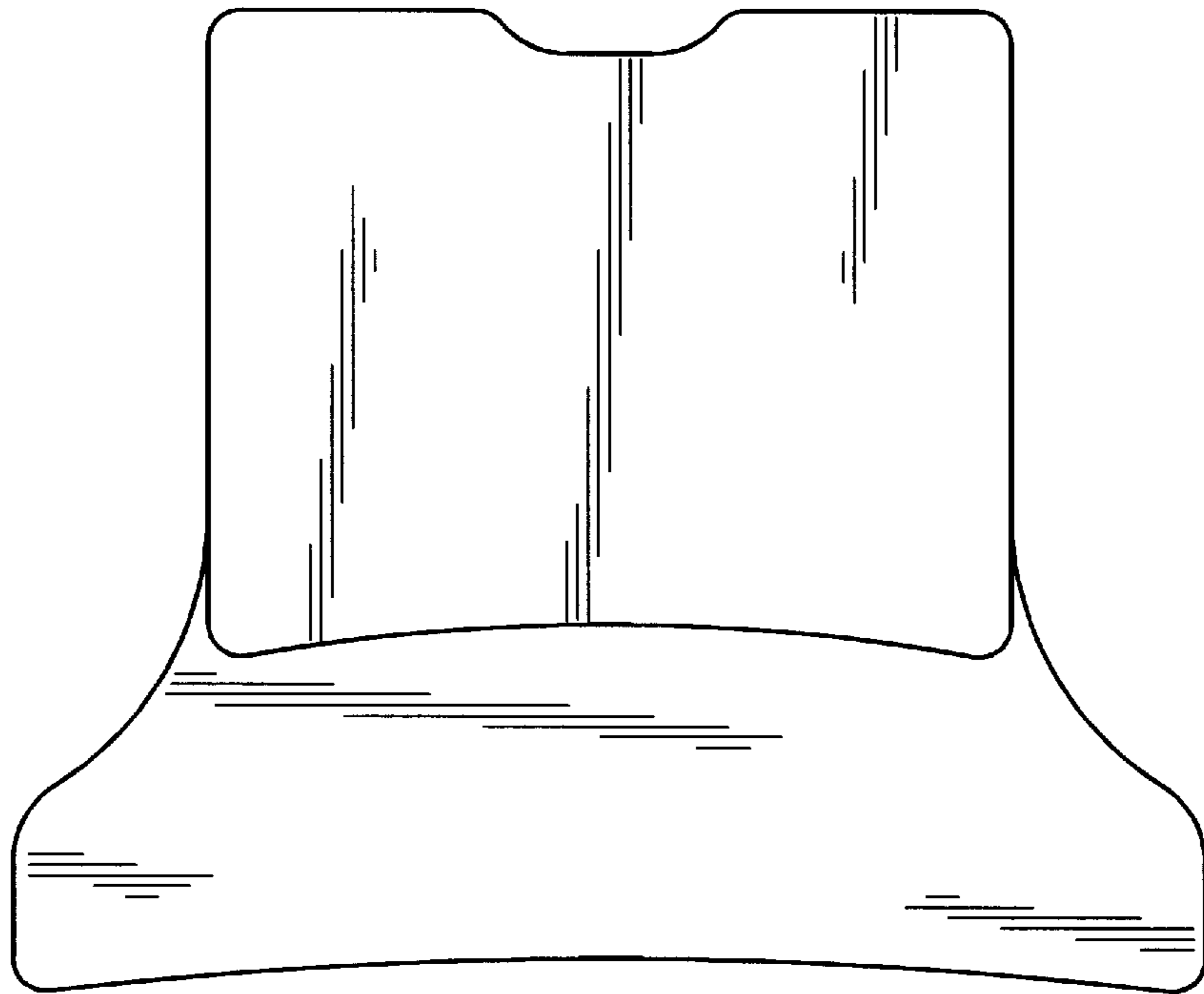


FIG. 11

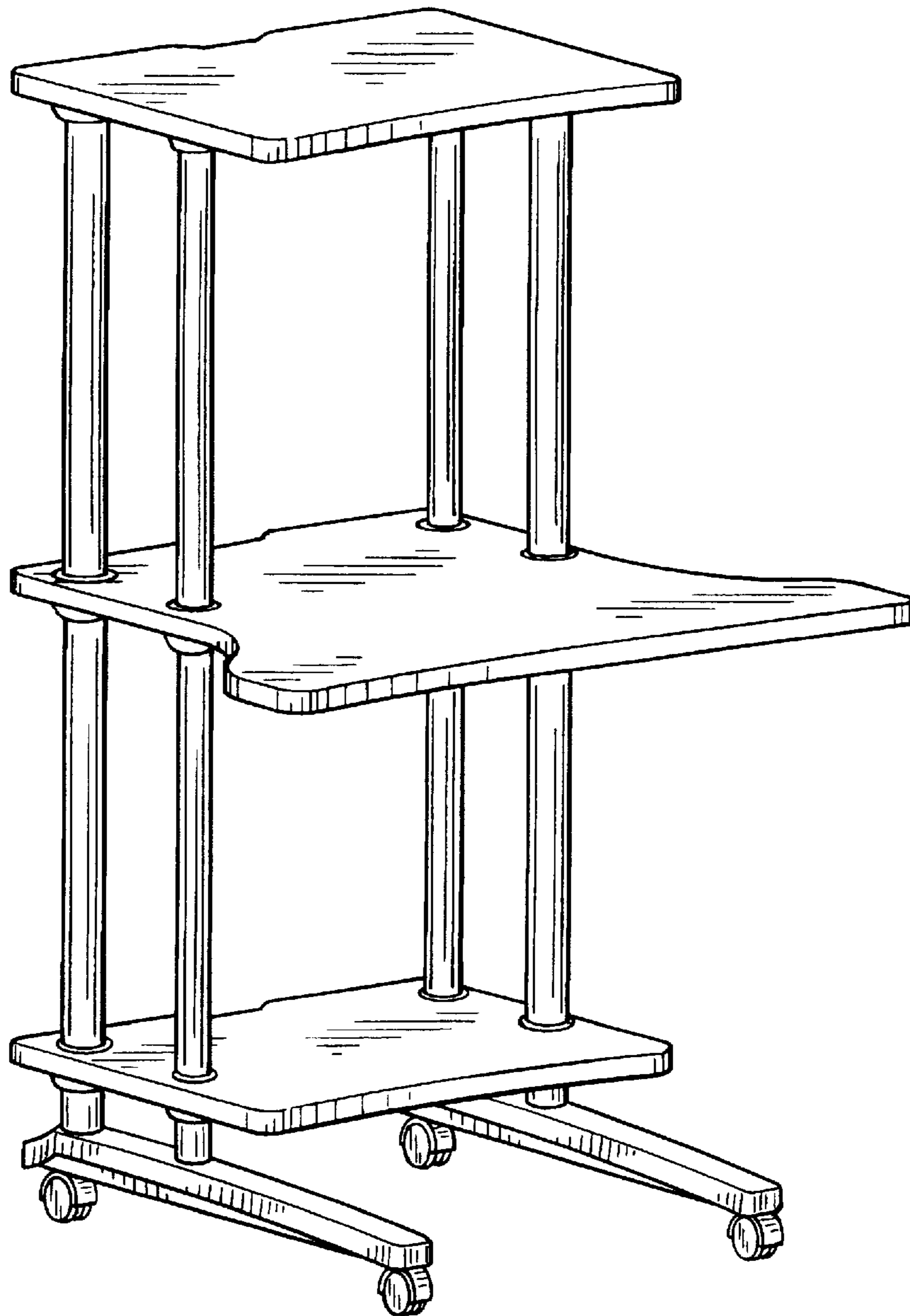


FIG. 12

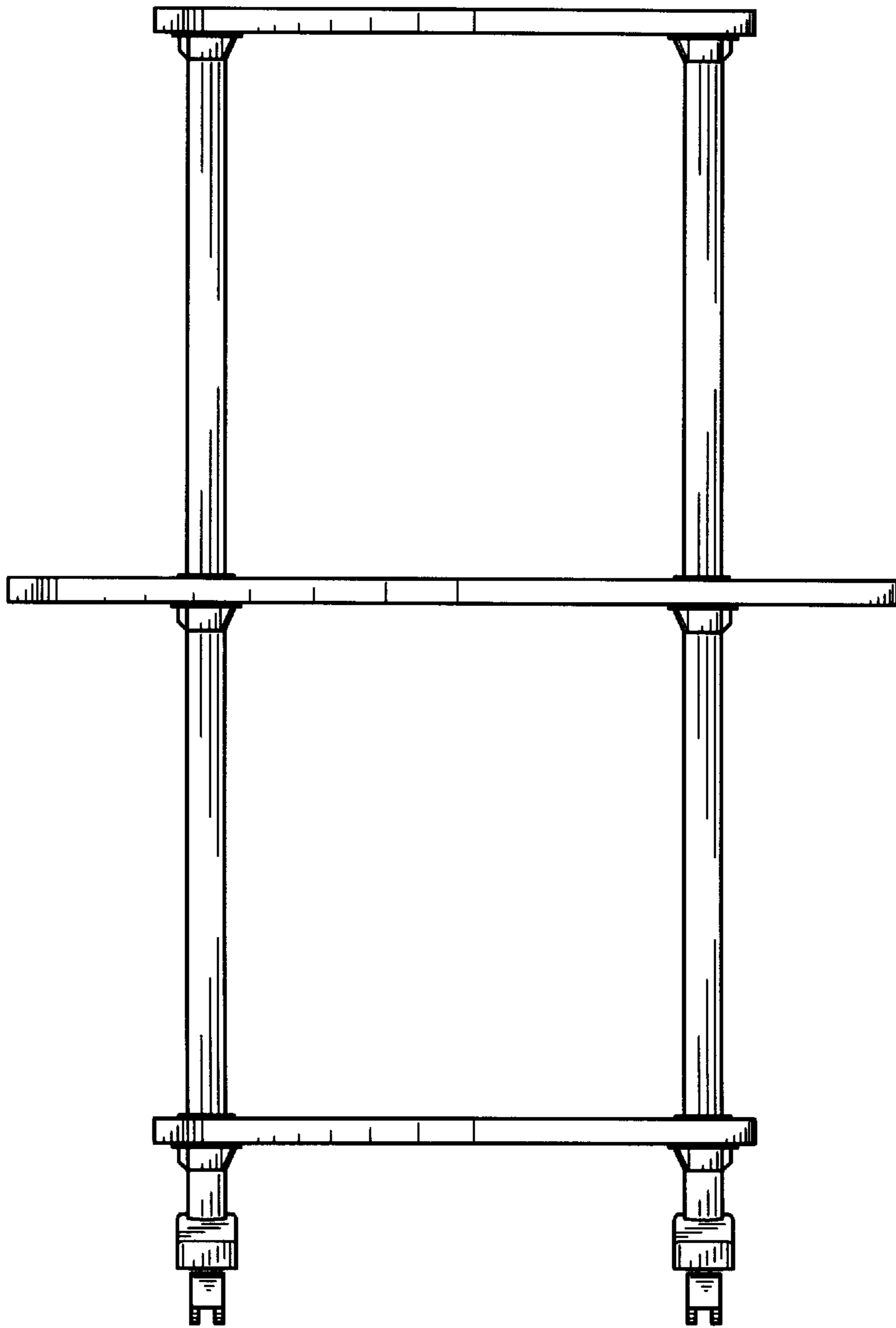


FIG. 13

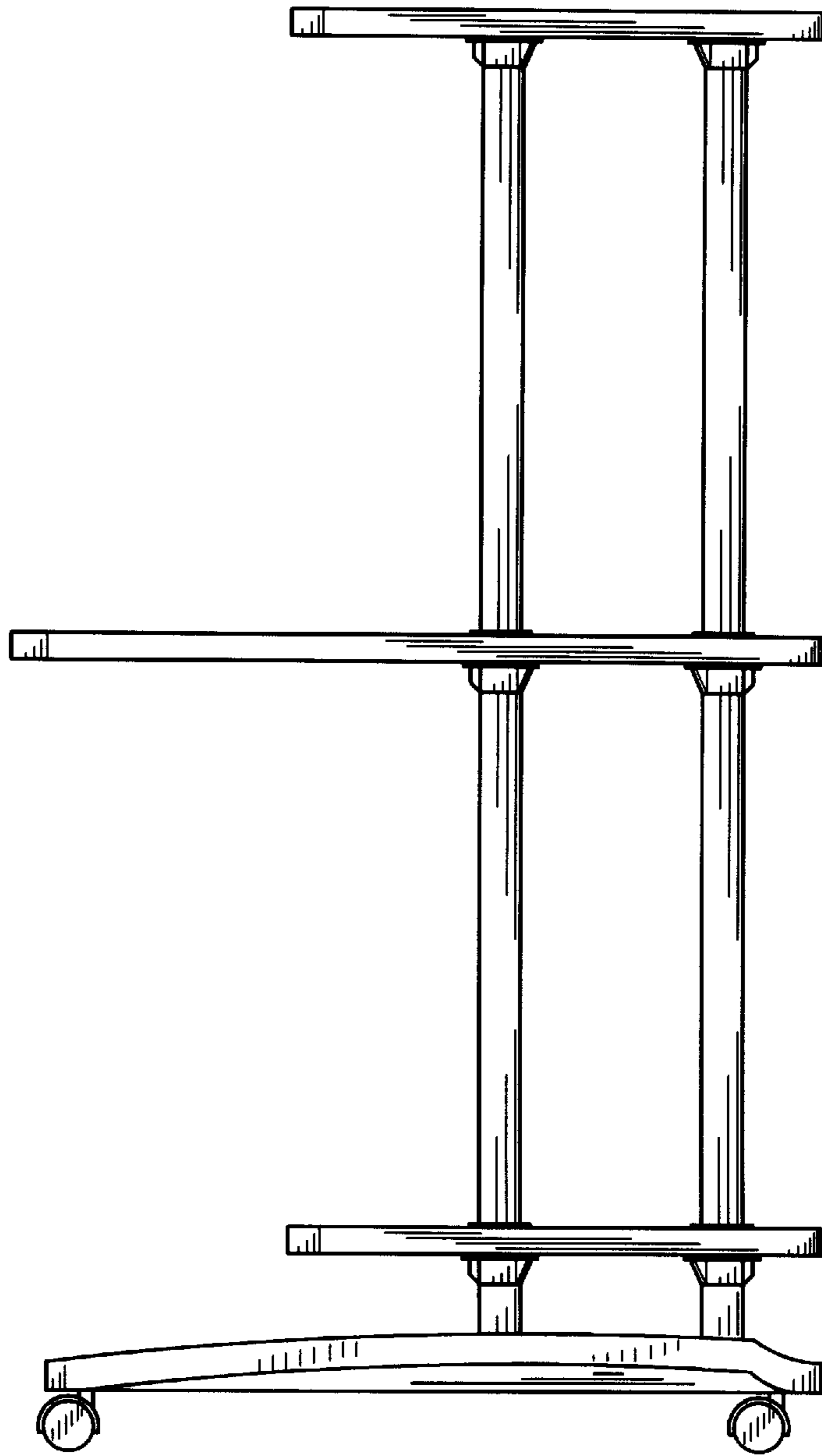


FIG. 14