



US00D406199S

United States Patent [19] Liu

[11] **Patent Number: Des. 406,199**

[45] **Date of Patent: **Mar. 2, 1999**

[54] **HAMMOCK**

[76] **Inventor: Lausan Liu**, No. 243, Chien Kwo Road, Hsin Tien City, Taipei Hsien, Taiwan

[**] **Term: 14 Years**

[21] **Appl. No.: 90,587**

[22] **Filed: Jul. 10, 1998**

[51] **LOC (6) Cl. 06-01**

[52] **U.S. Cl. D6/387; D6/382**

[58] **Field of Search D6/382, 386, 387, D6/392, 361; 5/627, 120-130, 174, 178-180, 110**

[56] **References Cited**

U.S. PATENT DOCUMENTS

- D. 56,036 8/1920 Takeuchi D6/382
- D. 219,212 11/1970 Eames D6/361

- D. 342,841 1/1994 Campanello D6/387
- 917,866 4/1909 Hoffman 5/124
- 2,096,423 10/1937 Burr 5/122
- 2,352,220 7/1944 Charlop 5/128

Primary Examiner—Janice E. Seeger

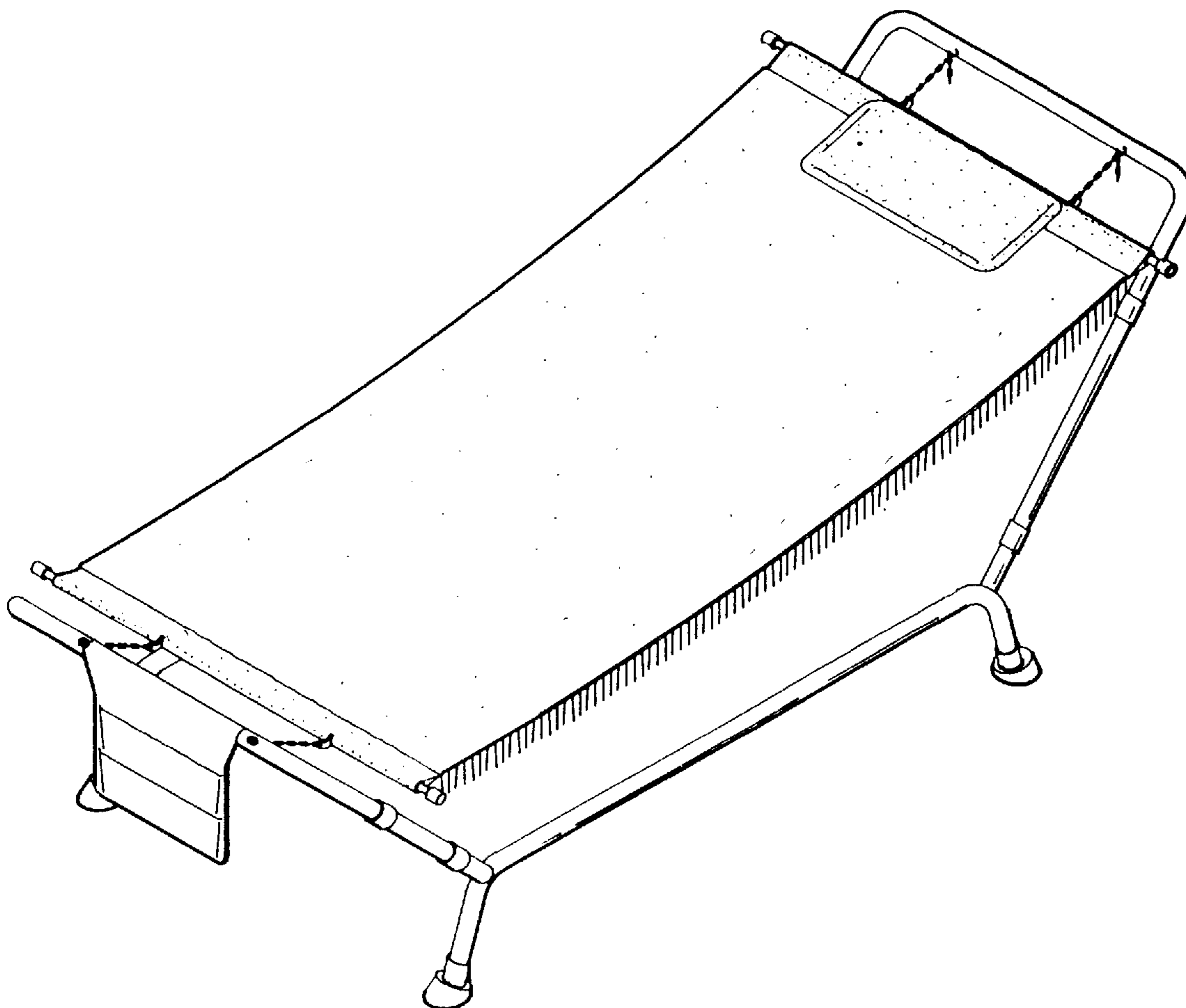
[57] **CLAIM**

The ornamental design for a hammock, as shown and described.

DESCRIPTION

FIG. 1 is the perspective view of a hammock showing my new design;
 FIG. 2 is the front elevational view thereof;
 FIG. 3 is the rear elevational view thereof;
 FIG. 4 is the left side elevational view thereof;
 FIG. 5 is the right side elevational view thereof;
 FIG. 6 is the top plan view thereof; and,
 FIG. 7 is the bottom plan view thereof.

1 Claim, 4 Drawing Sheets



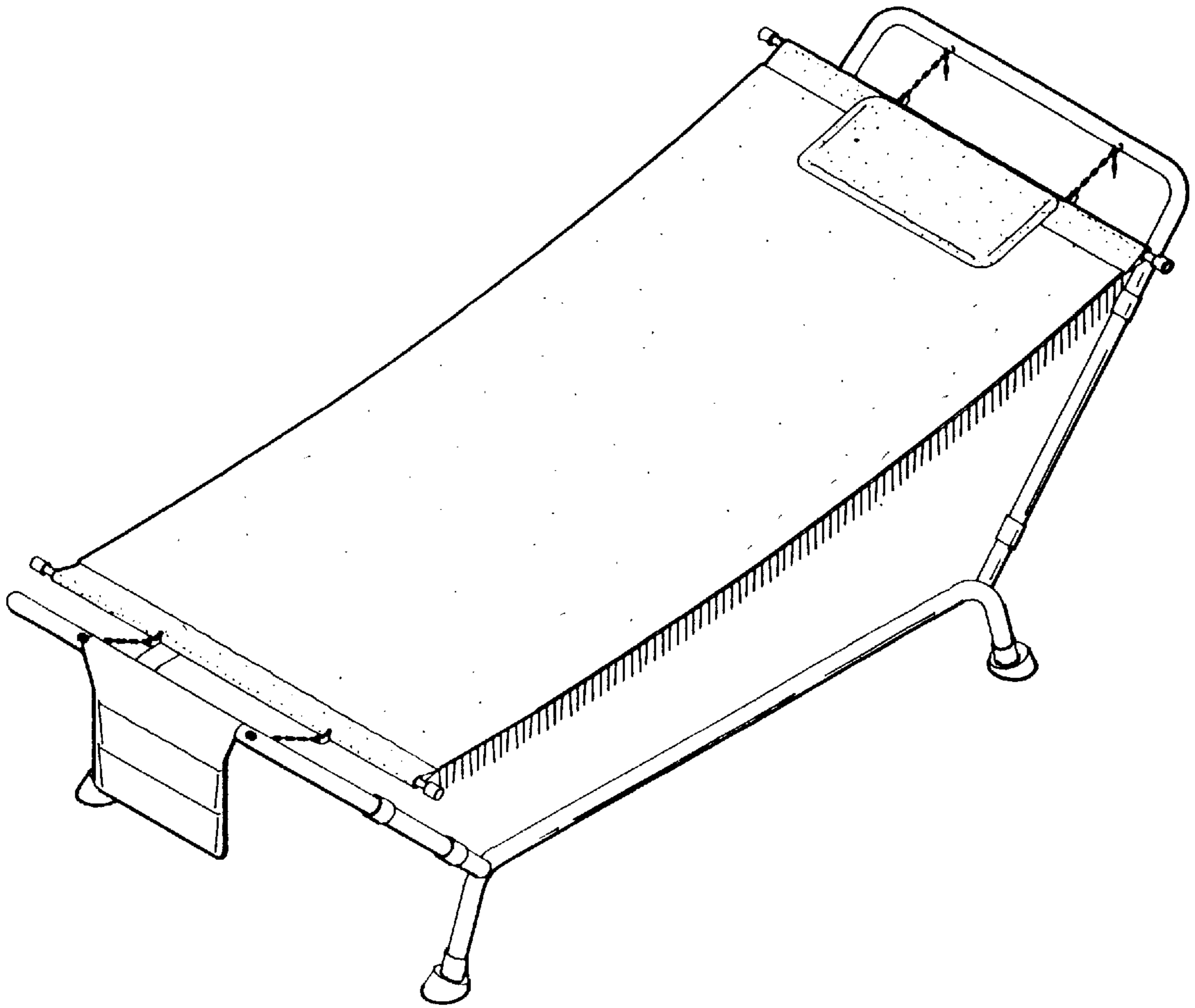


FIG.1

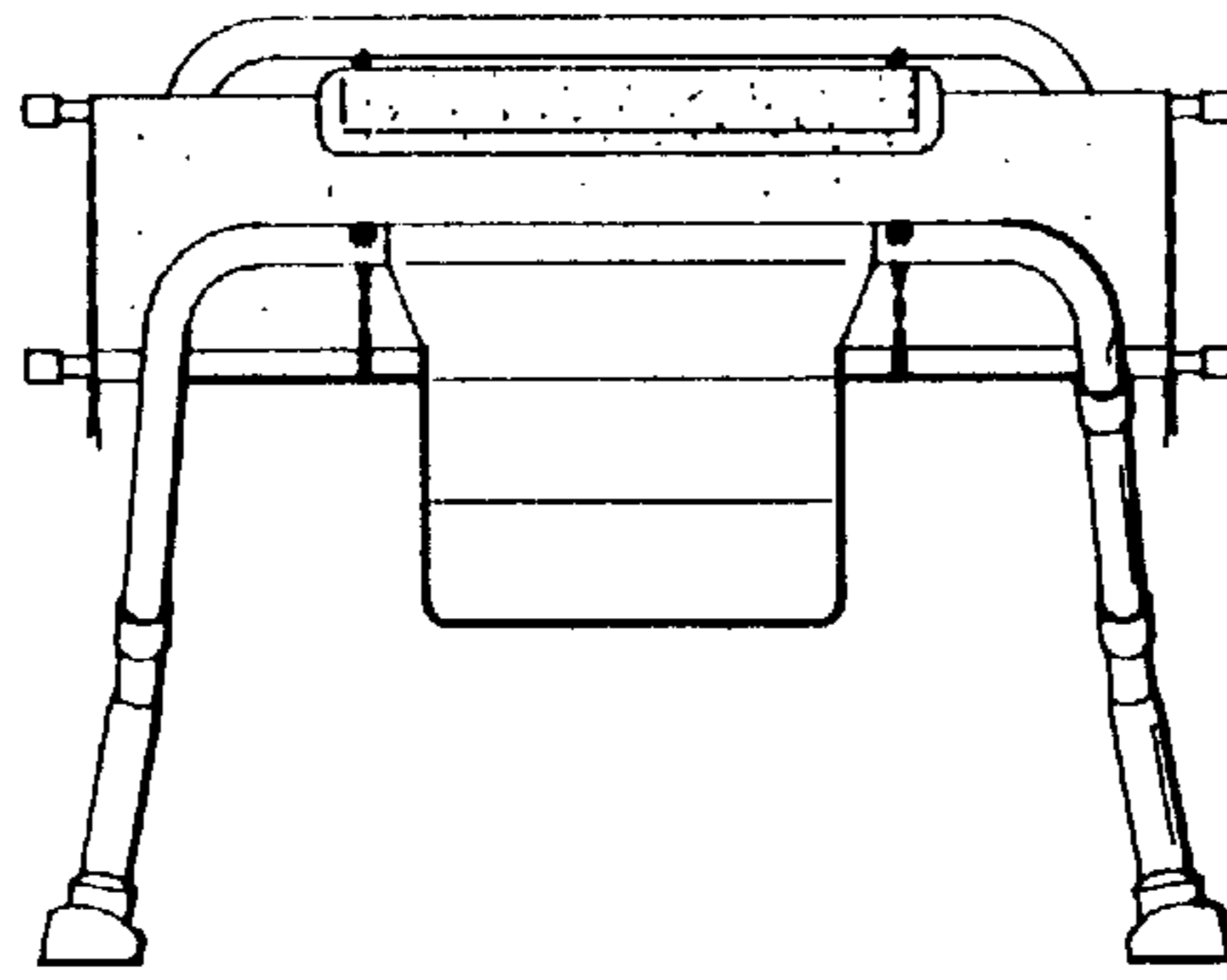


FIG. 2

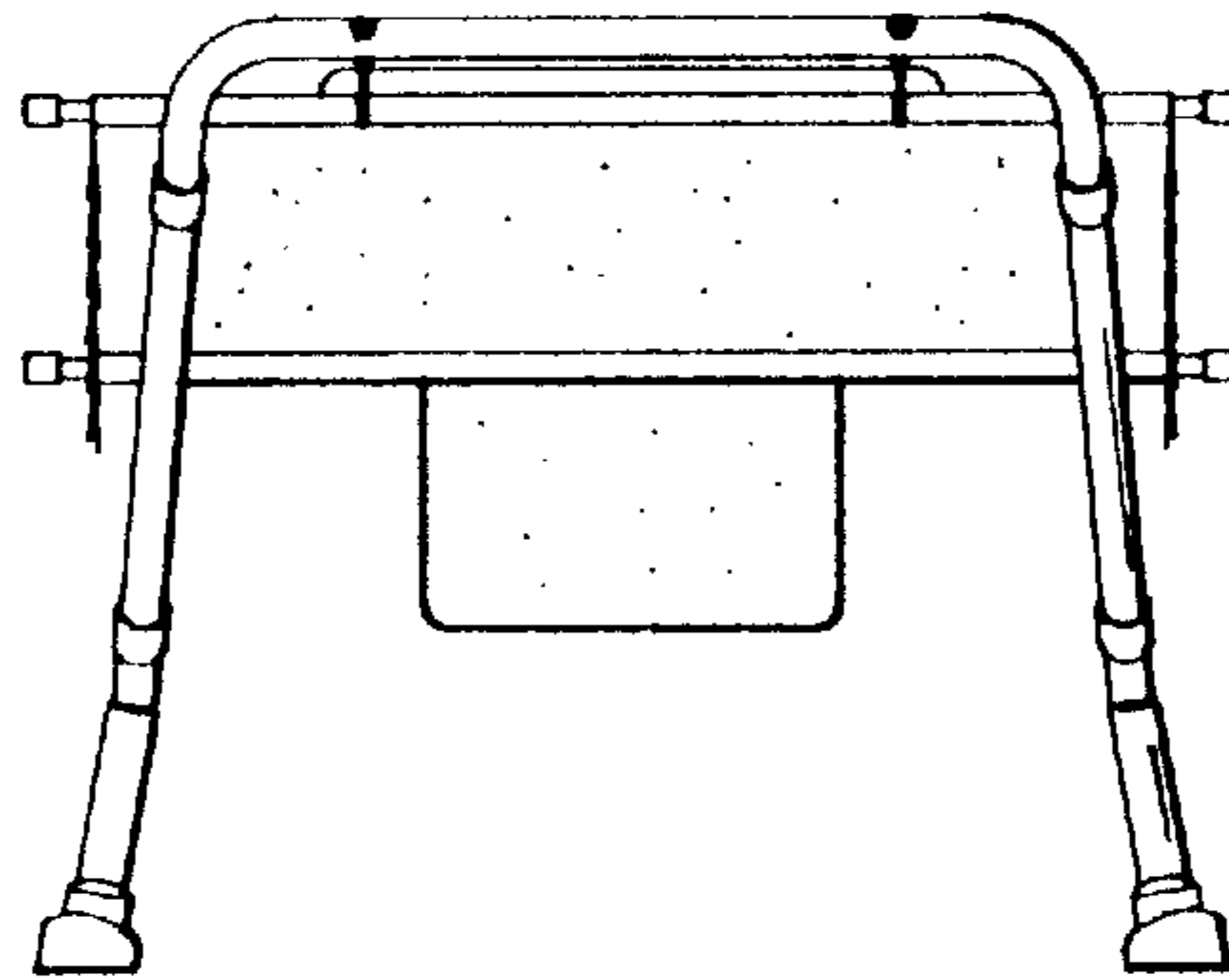


FIG. 3

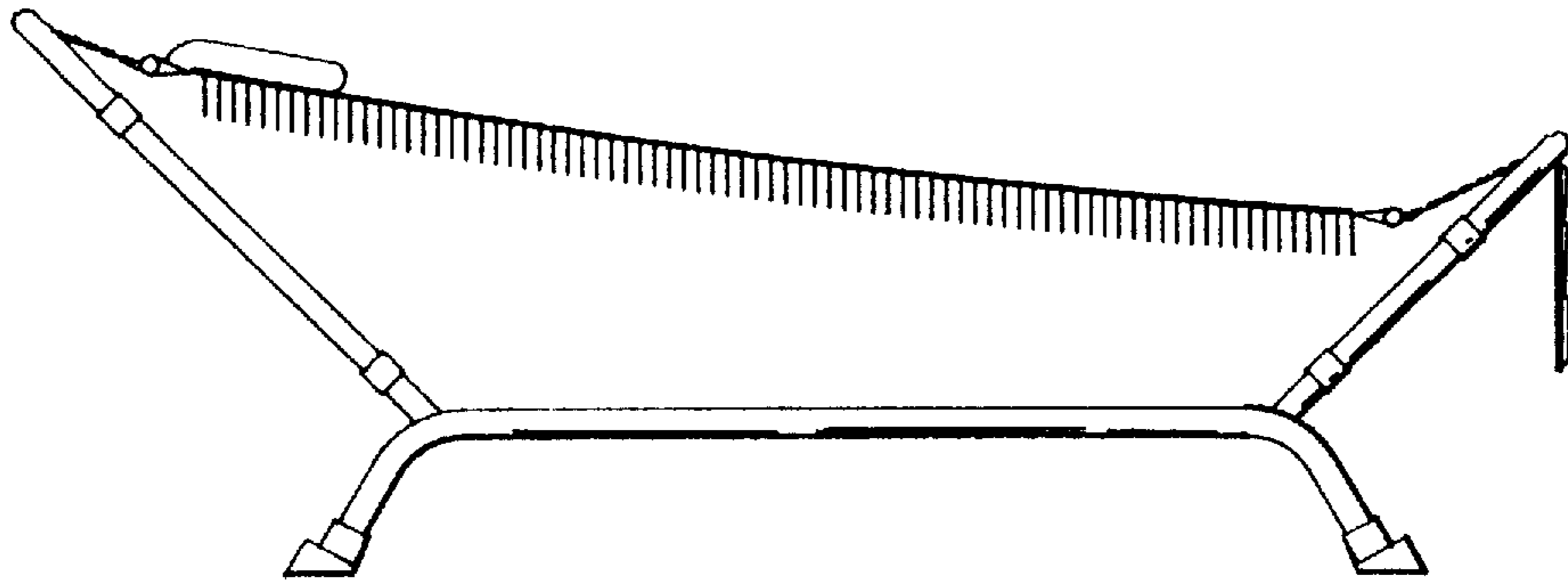


FIG. 4

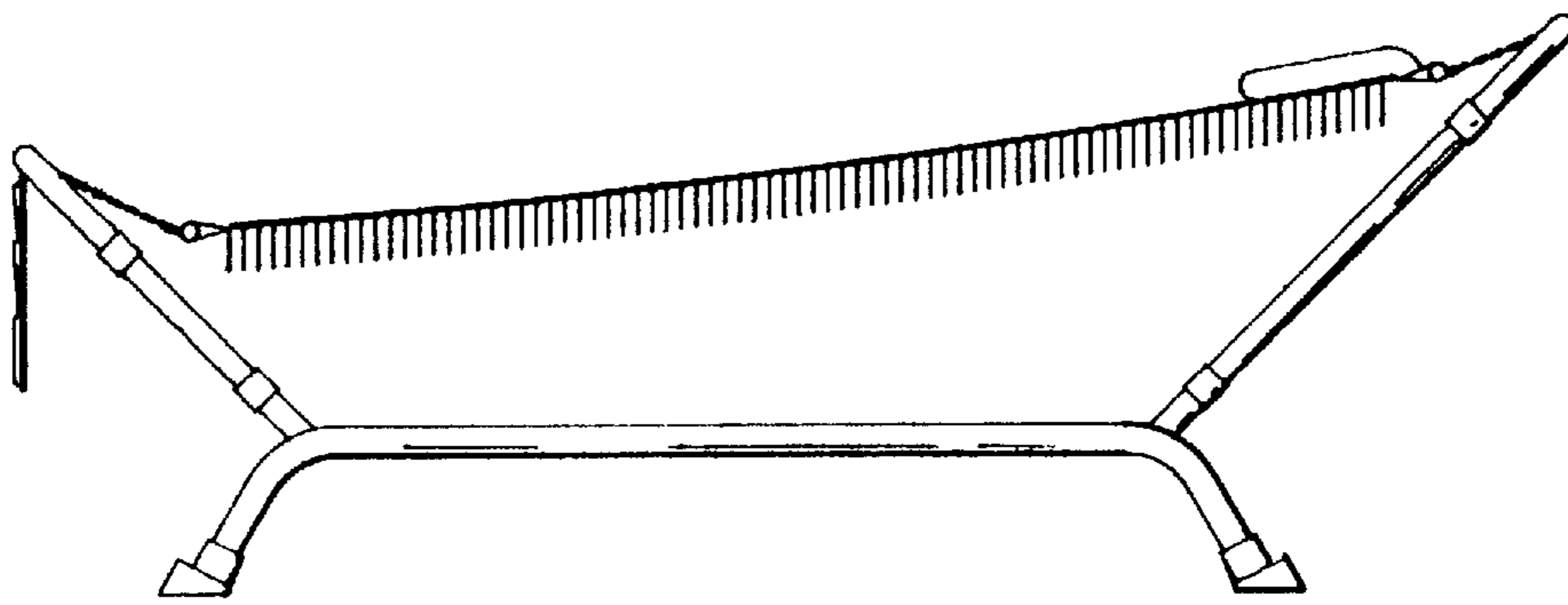


FIG. 5

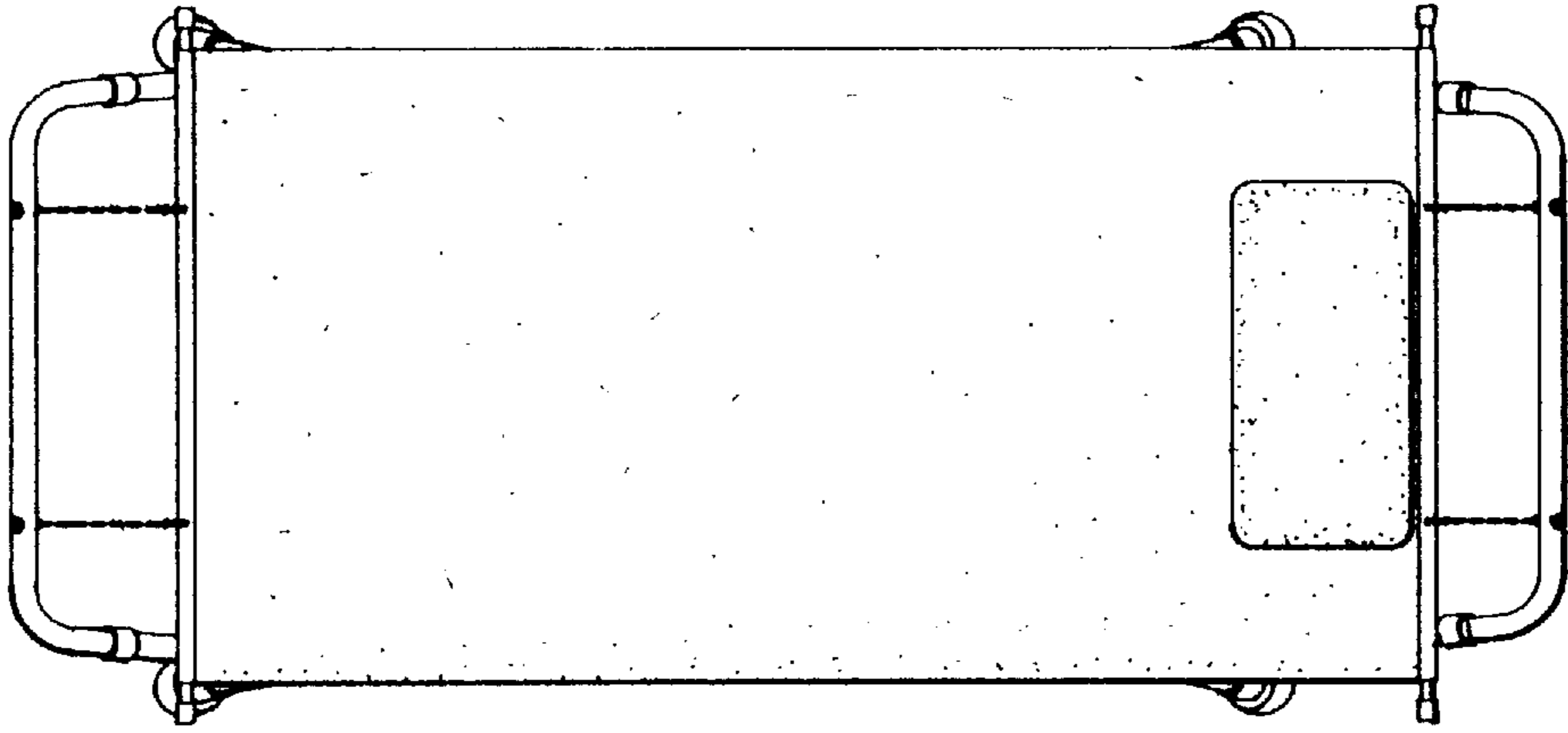


FIG. 6

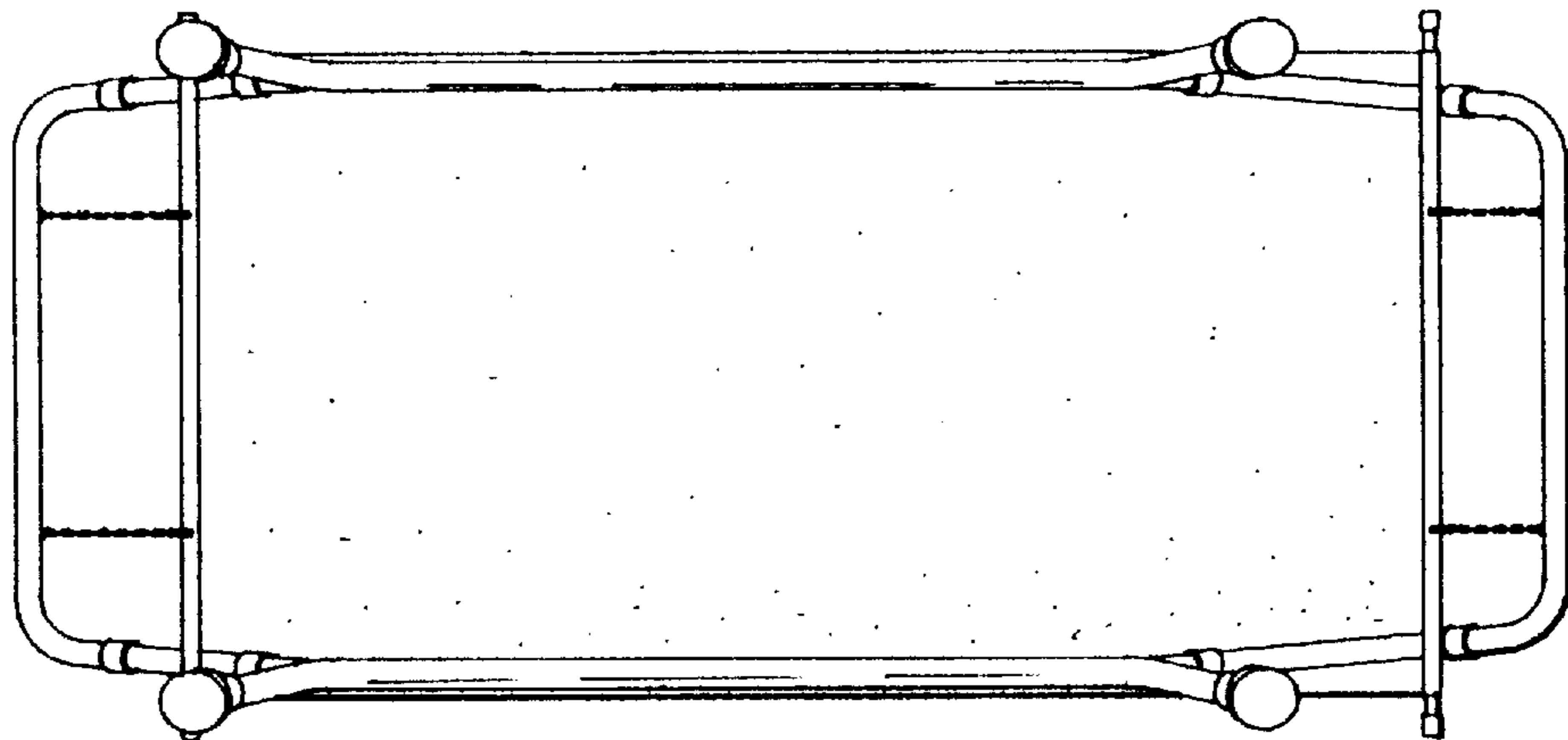


FIG. 7