



US00D406195S

United States Patent [19] Gamberini

[11] **Patent Number: Des. 406,195**

[45] **Date of Patent: **Mar. 2, 1999**

[54] **CHAIR WITH WRITING TABLE**

[75] Inventor: **Gino Gamberini**, Bologna, Italy

[73] Assignee: **Cazzaro S.p.A.**, Piombino Dese, Italy

[**] Term: **14 Years**

[21] Appl. No.: **71,791**

[22] Filed: **Jun. 9, 1997**

[30] **Foreign Application Priority Data**

Dec. 12, 1996 [IT] Italy PD96O0059

[51] **LOC (6) Cl.** **06-01**

[52] **U.S. Cl.** **D6/341; D6/336**

[58] **Field of Search** D6/334, 335, 336,
D6/338, 341, 368, 500, 501, 502; 297/60,
160

[56] **References Cited**

U.S. PATENT DOCUMENTS

D. 261,578 11/1981 Heritage D6/338

D. 381,214 7/1997 Haney et al. D6/368

OTHER PUBLICATIONS

Fixtures Furniture, p. 80, Chair #36881-A at bottom left.

Primary Examiner—Gary D. Watson

Attorney, Agent, or Firm—Guido Modiano; Albert Josif

[57] **CLAIM**

The ornamental design for a chair with writing table, as shown and described.

DESCRIPTION

FIG. 1 is a front view of the chair with writing table, showing my new design in folded position;

FIG. 2 is a side view thereof, showing my new design in folded position;

FIG. 3 is a rear view thereof, showing my new design in folded position;

FIG. 4 is a view thereof, taken from above, showing my new design in folded position;

FIG. 5 is a front view thereof, showing my new design in operative position;

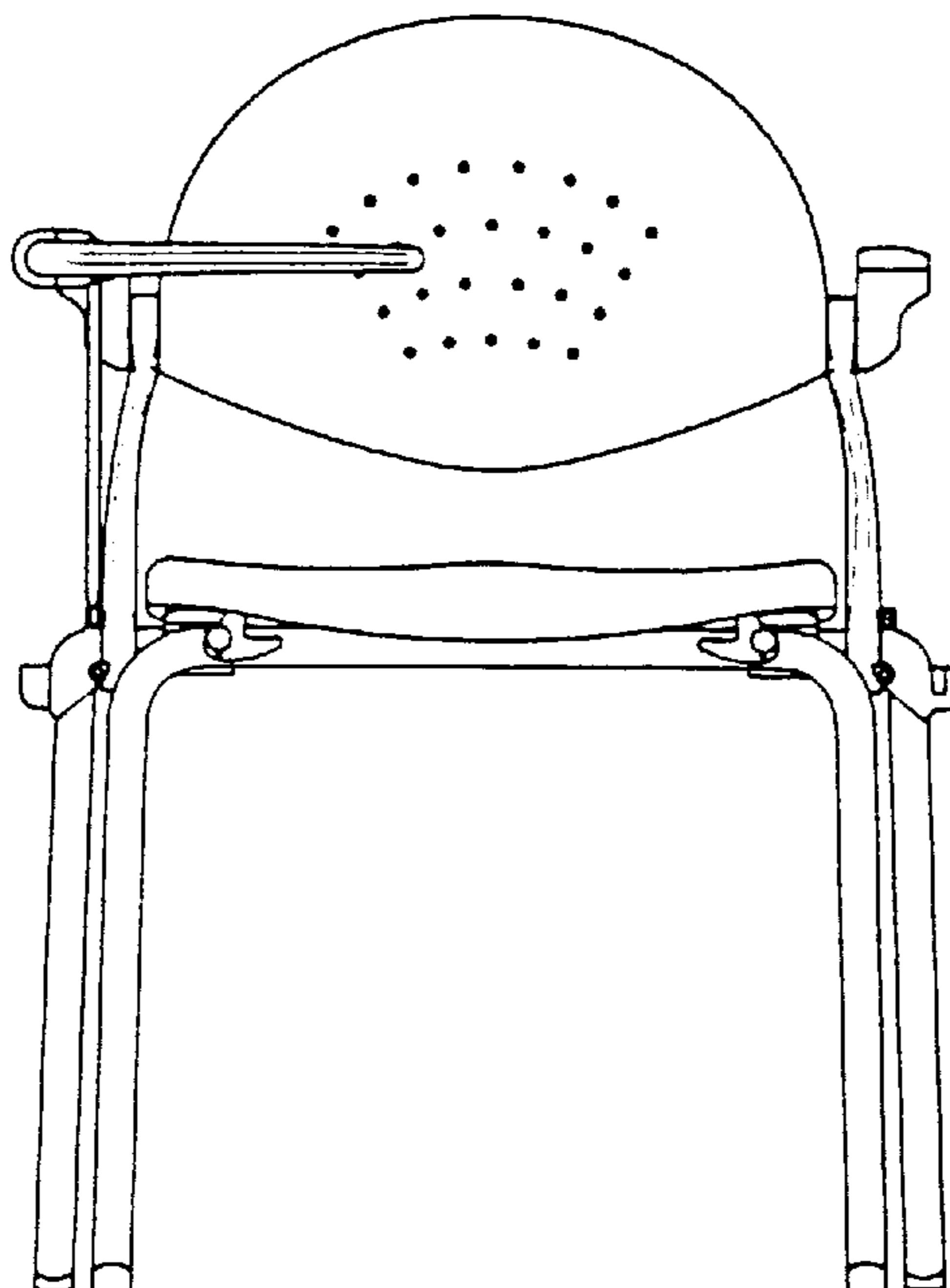
FIG. 6 is a side view thereof, showing my new design in operative position;

FIG. 7 is a rear view thereof, showing my new design in operative position; and,

FIG. 8 is a view thereof, taken from above, showing my new design in operative position.

The side not shown is a mirror image of that shown in FIGS. 2 and 6 with the absence of the tablet arm and support thereof.

1 Claim, 2 Drawing Sheets



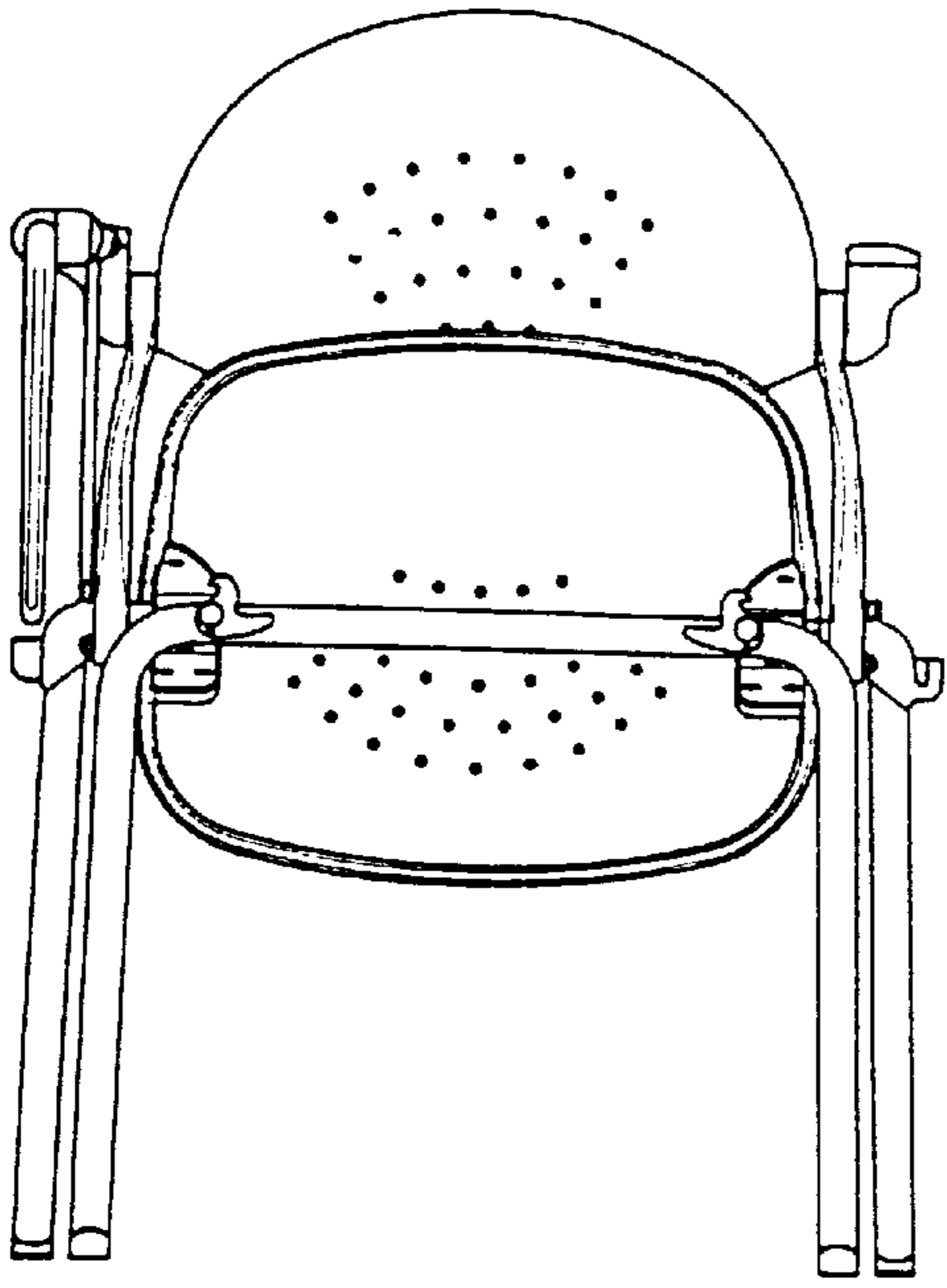


Fig. 1

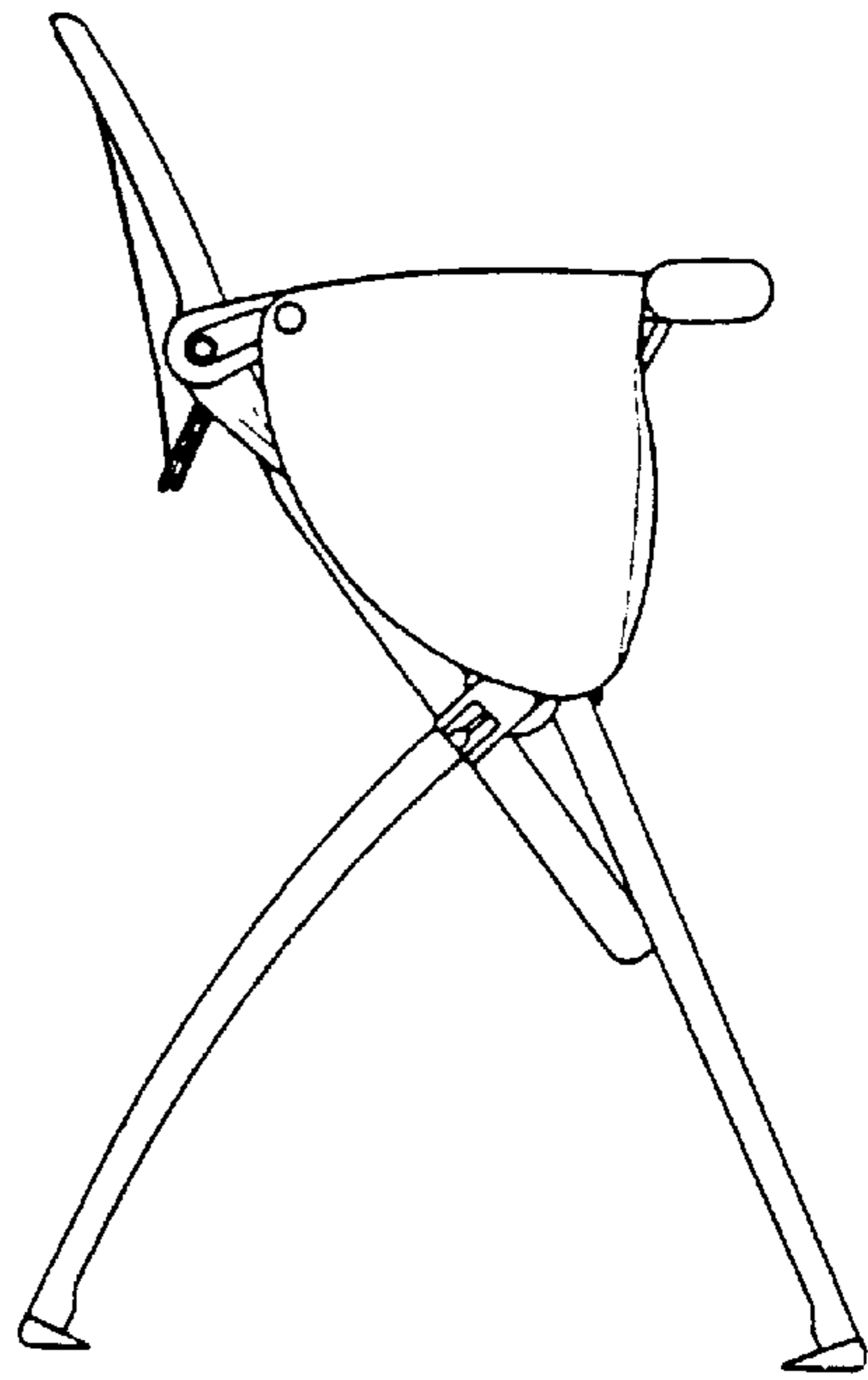


Fig. 2

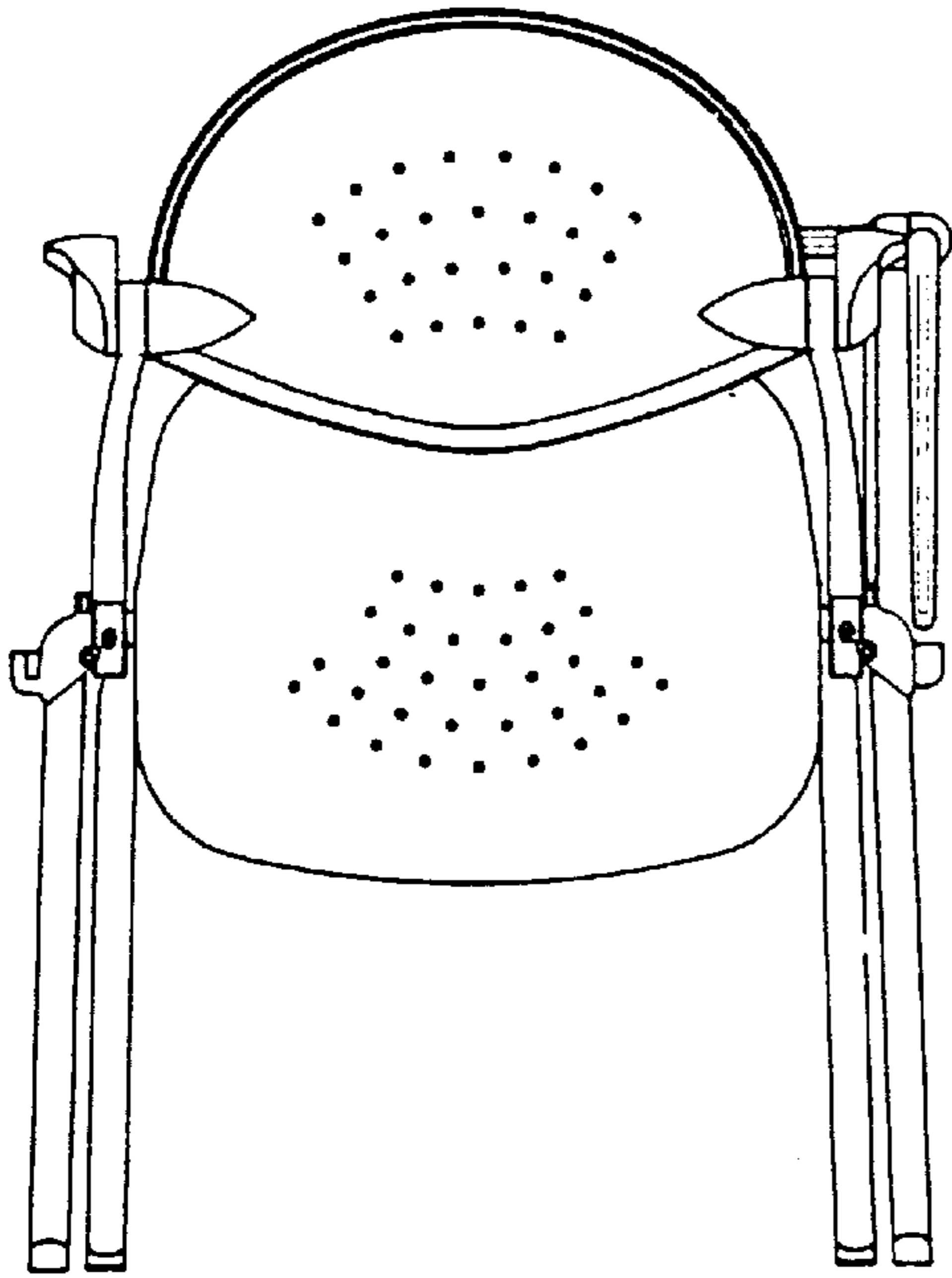


Fig. 3

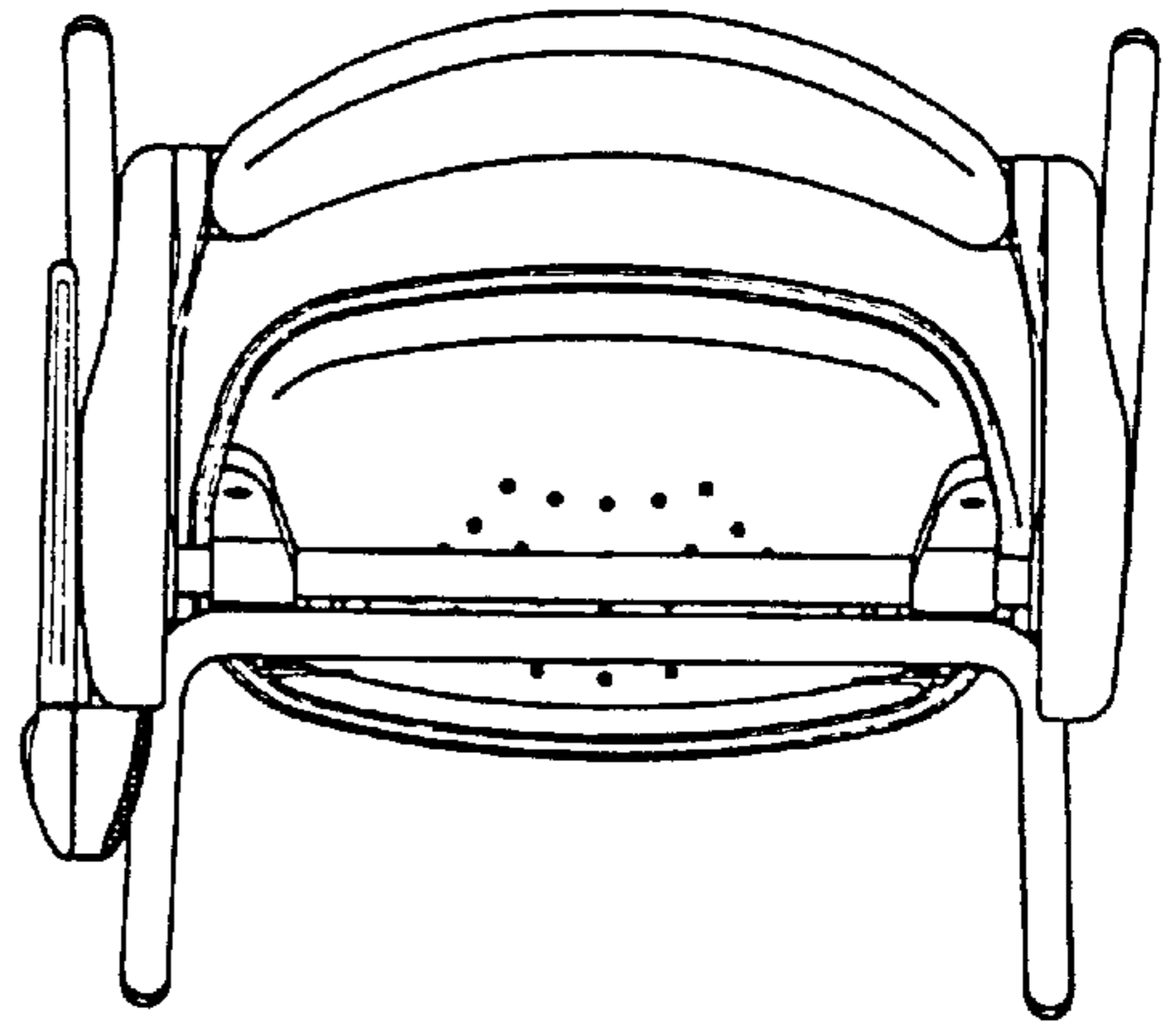


Fig. 4

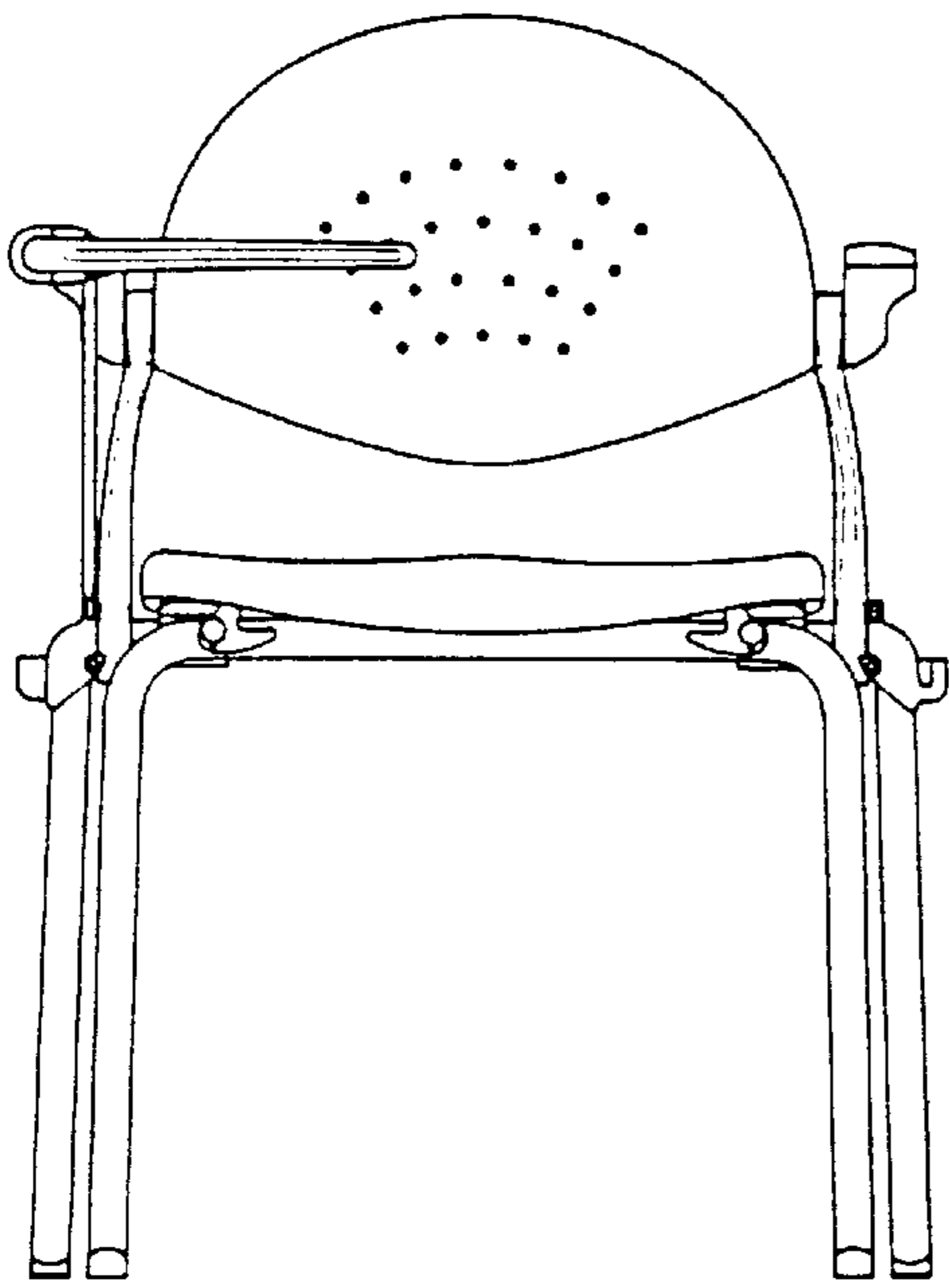


Fig. 5

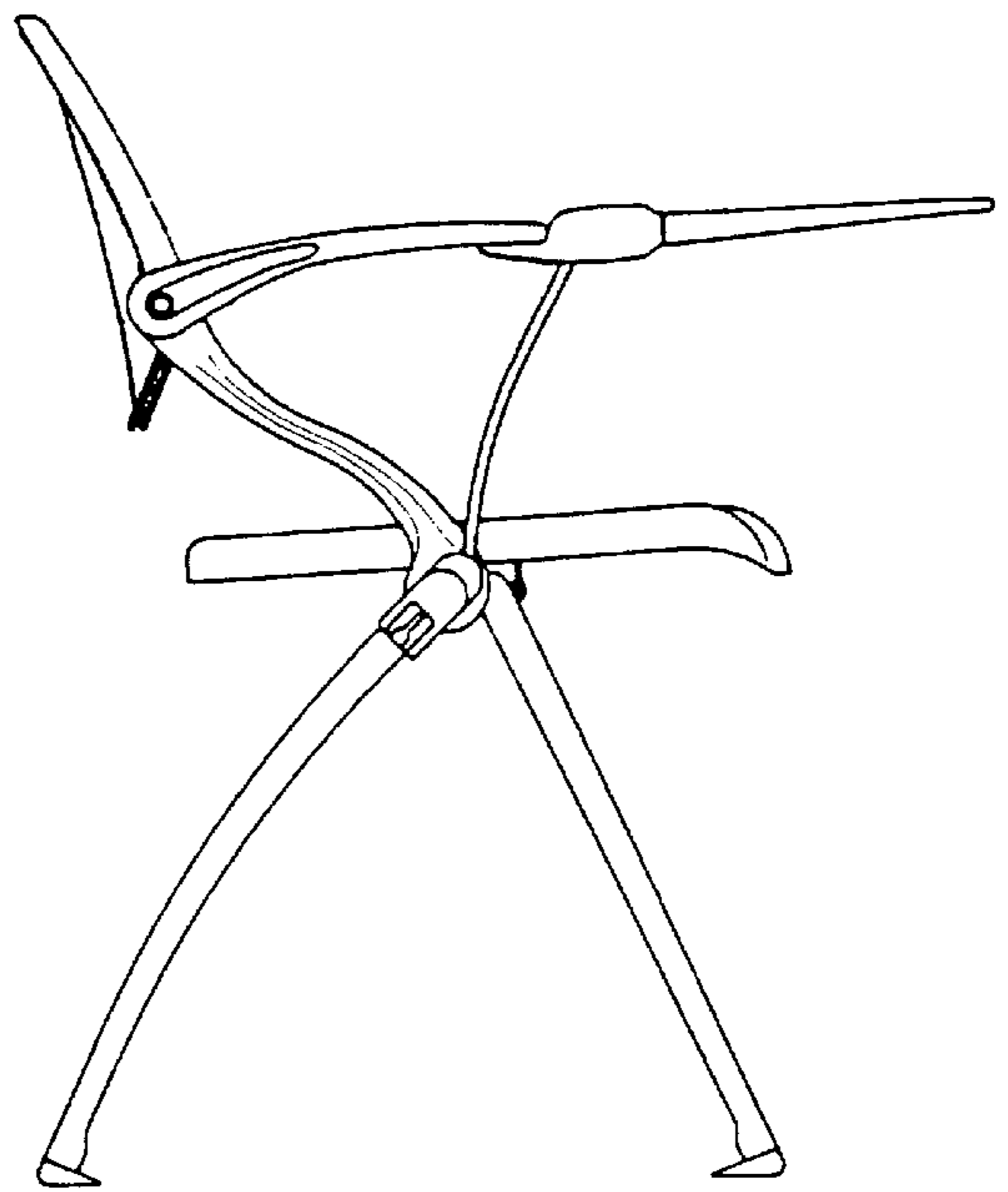


Fig. 6

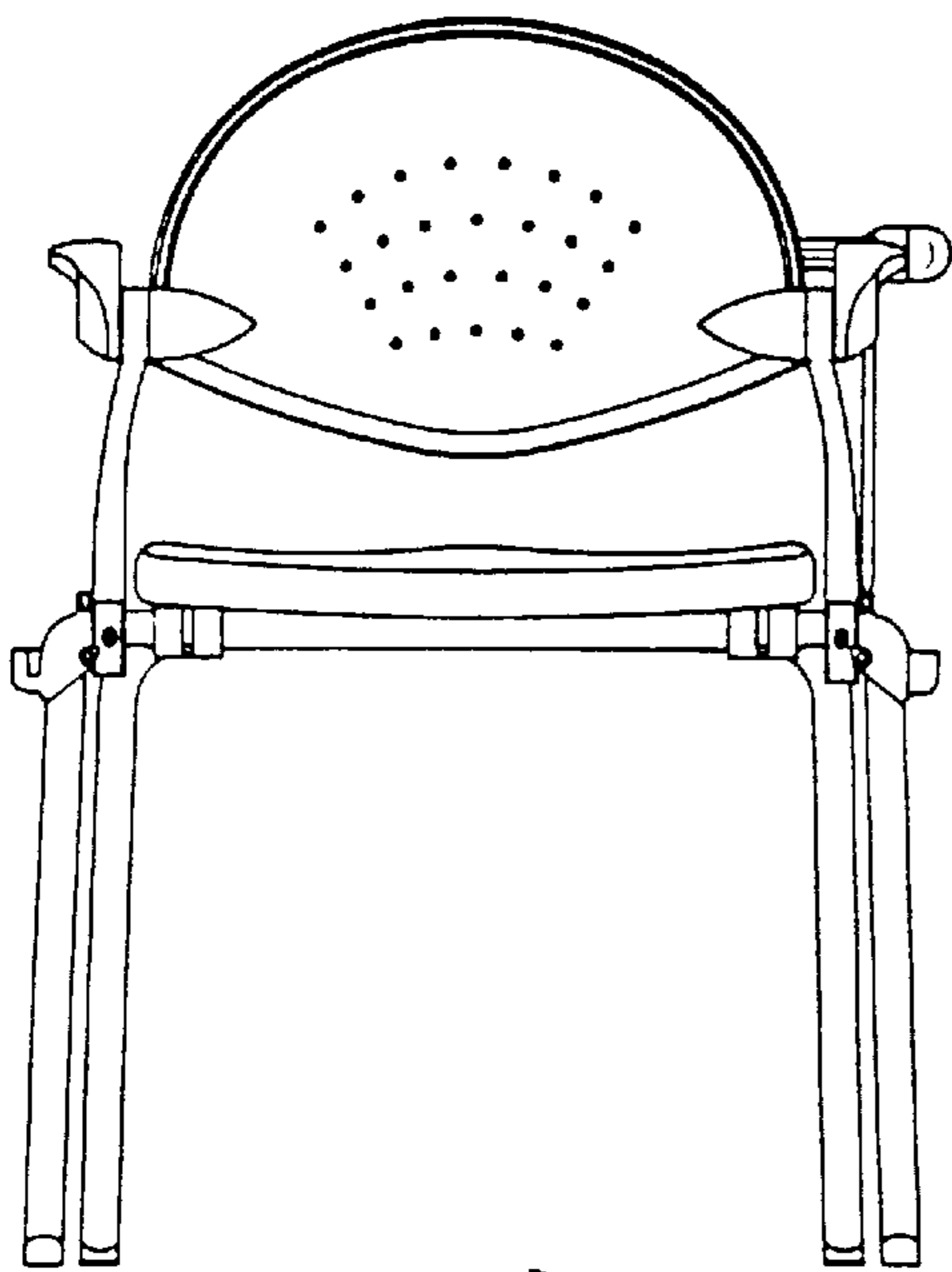


Fig. 7

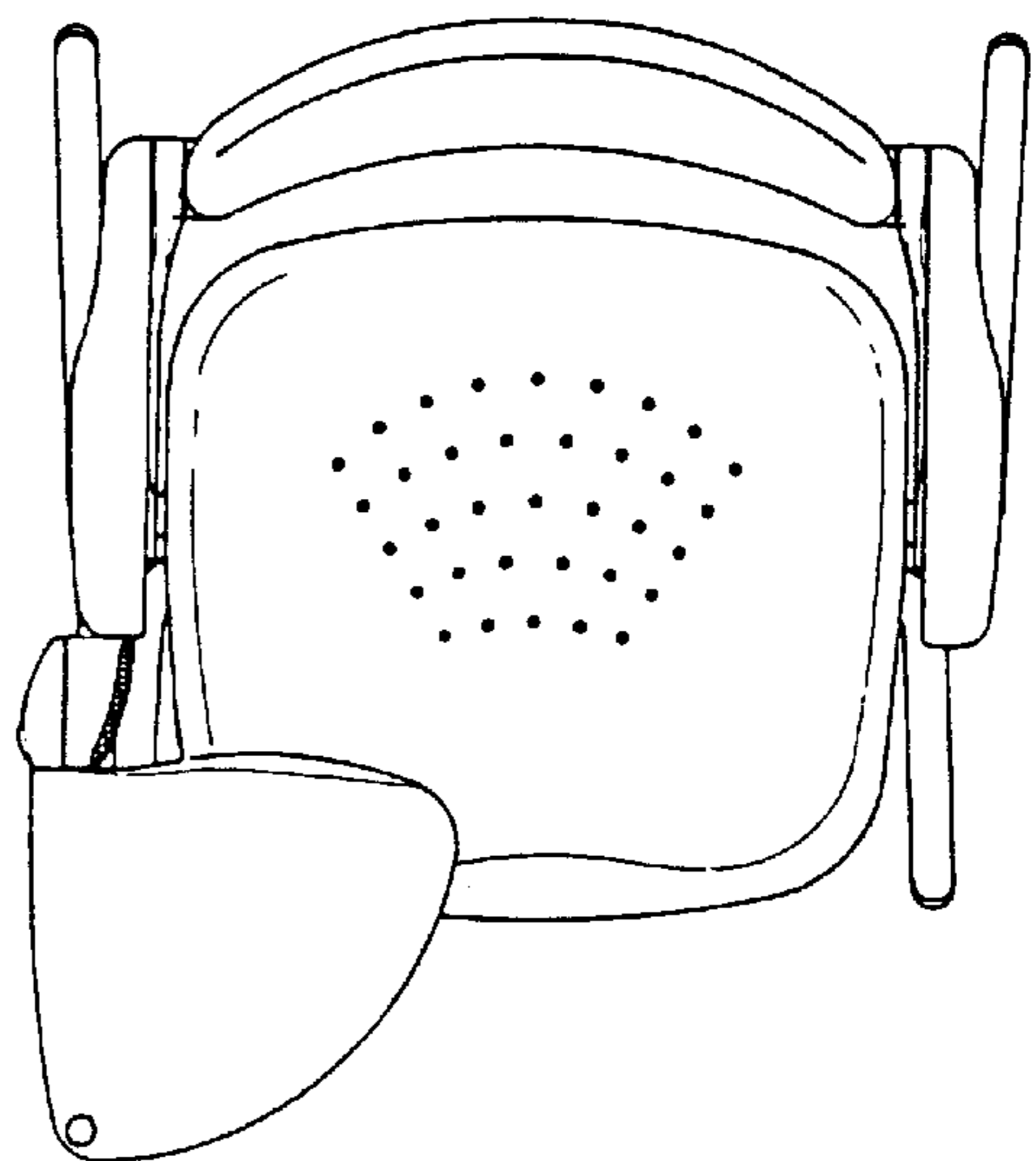


Fig. 8