



US00D406193S

United States Patent [19]
Steinmann

[11] **Patent Number: Des. 406,193**

[45] **Date of Patent: **Mar. 2, 1999**

[54] **COMBINED INTERDENTAL BRUSH
HOLDER AND BRUSH**

[75] Inventor: **Paul Steinmann**, Triengen, Switzerland

[73] Assignee: **Trisa Burstenfabrik Ag Triengen**,
Switzerland

[**] Term: **14 Years**

[21] Appl. No.: **62,144**

[22] Filed: **Nov. 8, 1996**

[51] **LOC (6) Cl.** **04-02**

[52] **U.S. Cl.** **D4/101; D24/146**

[58] **Field of Search** D4/104, 105, 109,
D4/110, 111, 113, 101, 102; D24/133, 146,
152, 176; 15/206, 207, 167.1, 22.1, 22.2;
132/308; 433/141, 147; 601/139-142

[56] **References Cited**

U.S. PATENT DOCUMENTS

D. 371,240	7/1996	Millner	D24/146
D. 389,312	1/1998	Porter	D4/104
4,850,071	7/1989	Lawrence	15/206
5,699,578	12/1997	Dumler et al.	15/206

Primary Examiner—Doris Clark

Attorney, Agent, or Firm—Duane, Morris & Heckscher LLP

[57] **CLAIM**

The ornamental design for a combined interdental brush holder and brush, as shown and described.

DESCRIPTION

FIG. 1 is a front view of a combined interdental brush holder and brush according to the invention;

FIG. 2 is a rear view of the combined interdental brush holder and brush of FIG. 1;

FIG. 3 is a top edge view of the combined interdental brush holder and brush of FIG. 1;

FIG. 4 is a bottom edge view of the combined interdental brush holder and brush of FIG. 1;

FIG. 5 is a right end view of the combined interdental brush holder and brush of FIG. 1;

FIG. 6 is a left end view of the combined interdental brush holder and brush of FIG. 1;

FIG. 7 is a rear view of the combined interdental brush holder and brush of FIG. 1, wherein the brush is in a second position;

FIG. 8 is a front view of a second embodiment of a combined interdental brush holder and brush according to the invention;

FIG. 9 is a rear view of the combined interdental brush holder and brush of FIG. 8;

FIG. 10 is a top edge view of the combined interdental brush holder and brush of FIG. 8;

FIG. 11 is a bottom edge view of the combined interdental brush holder and brush of FIG. 8;

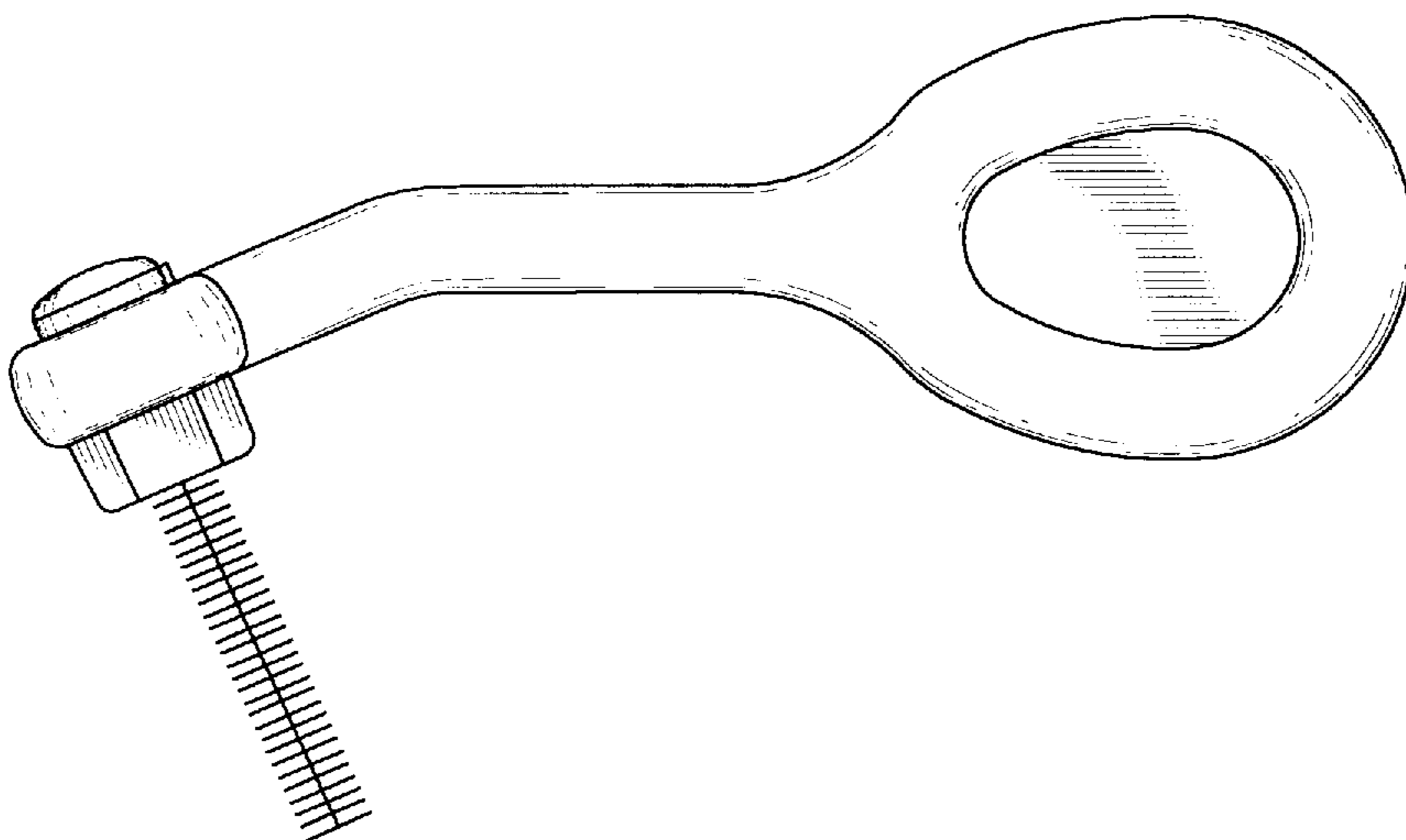
FIG. 12 is a right end view of the combined interdental brush holder and brush of FIG. 8;

FIG. 13 is a left end view of the combined interdental brush holder and brush of FIG. 8; and,

FIG. 14 is a rear view of the combined interdental brush holder and brush of FIG. 8, wherein the brush is in a second position.

The broken lines in FIGS. 4 through 6 of the drawing, are shown for convenience of illustration.

1 Claim, 8 Drawing Sheets



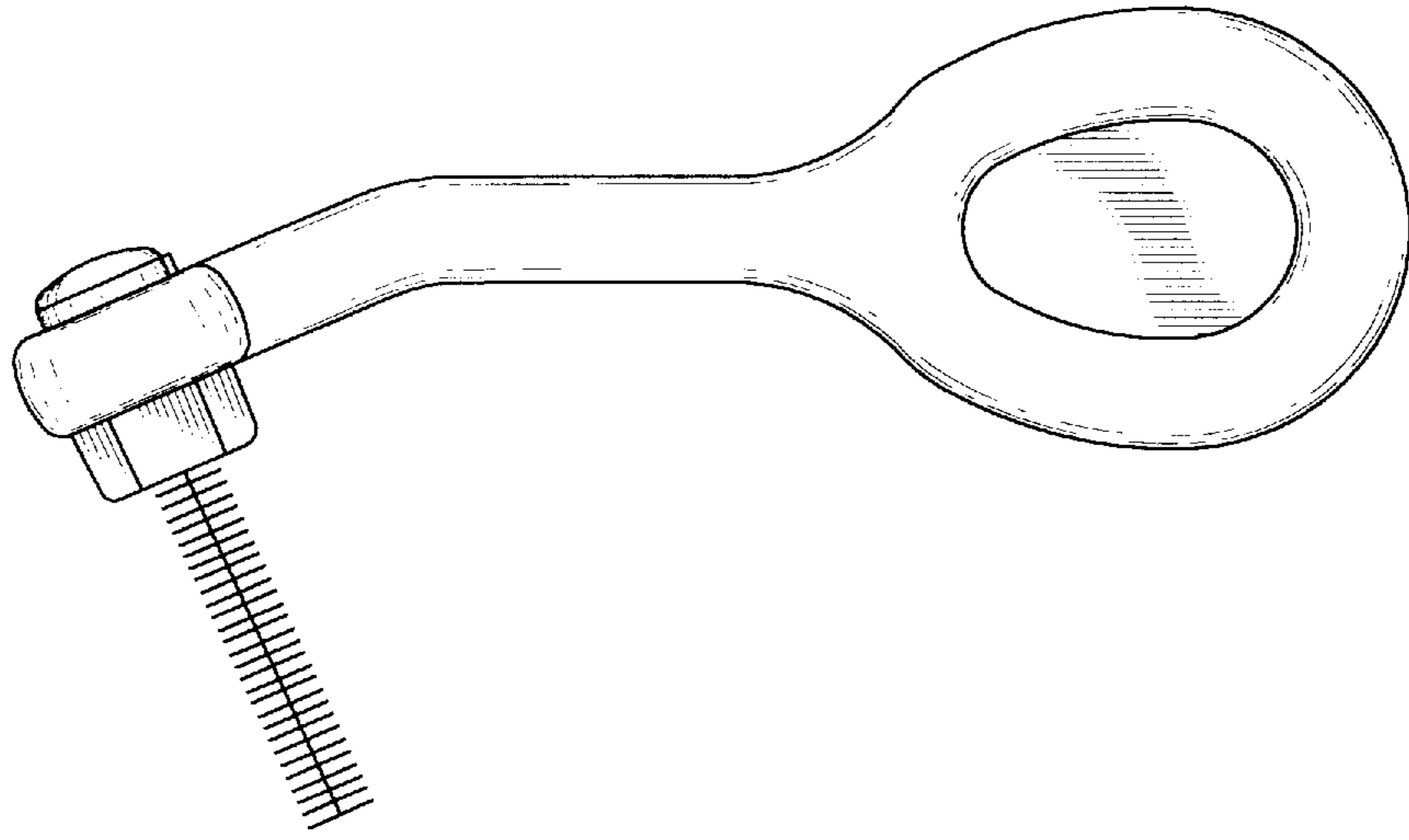


FIG. 1

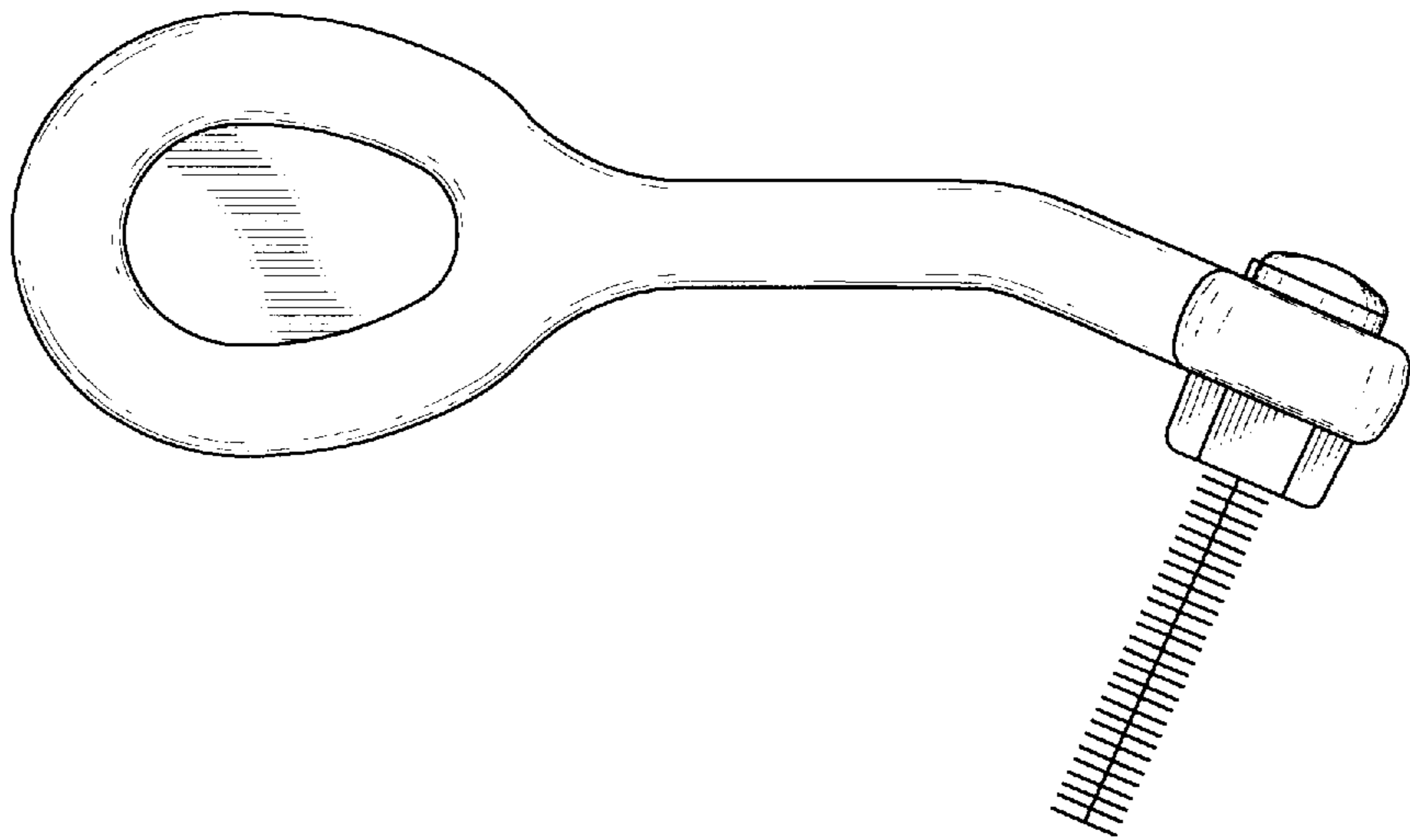


FIG. 2



FIG. 3



FIG. 4

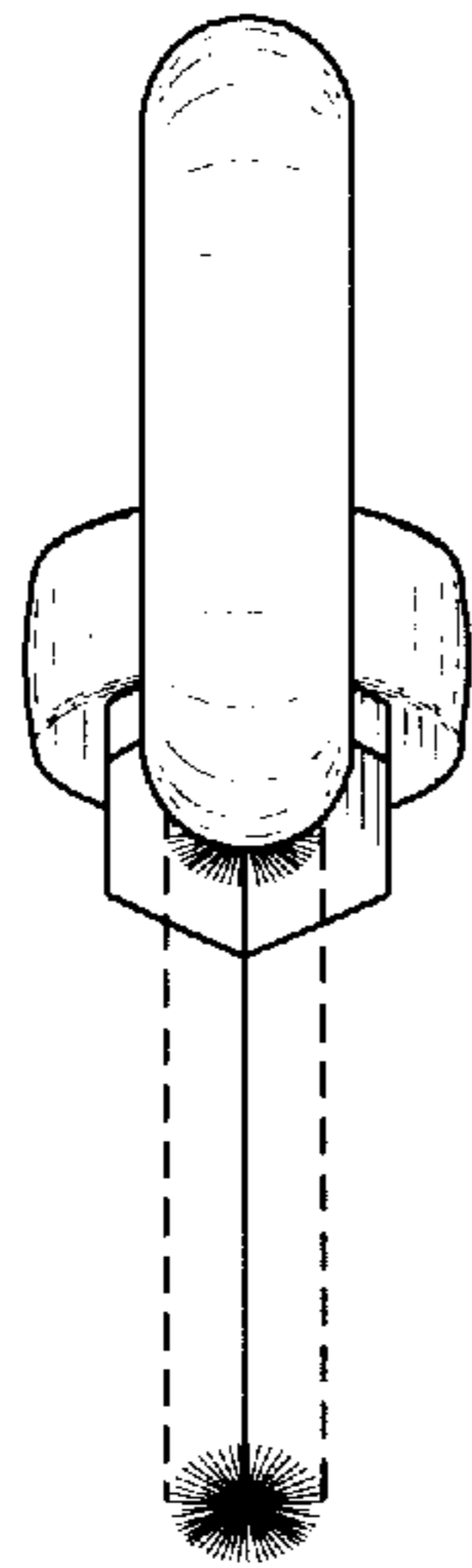


FIG. 5

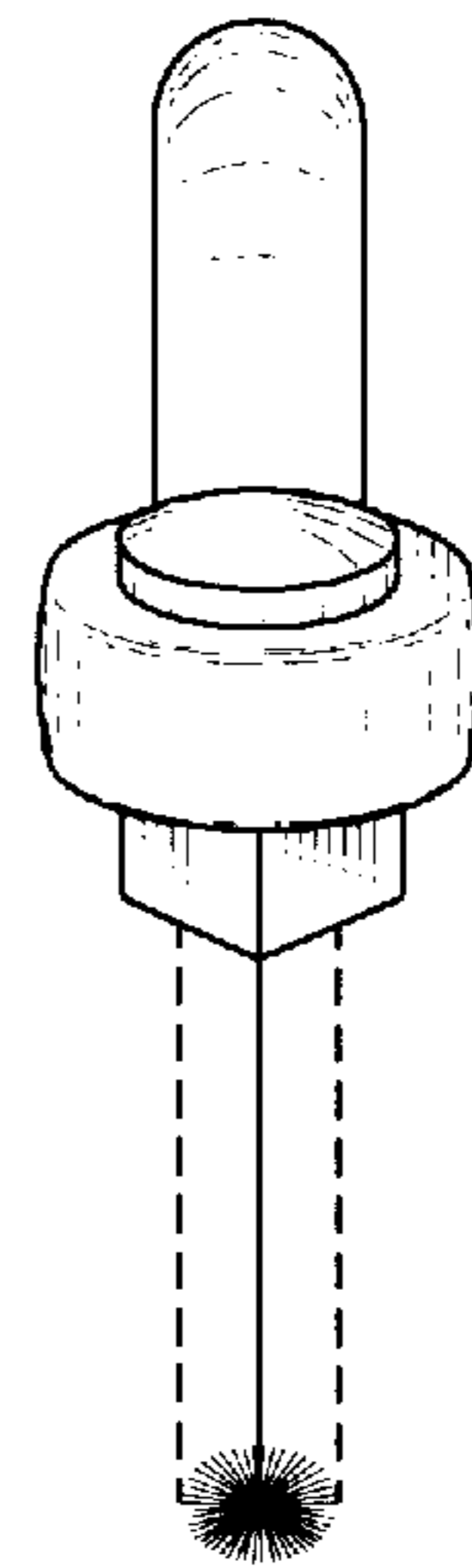


FIG. 6

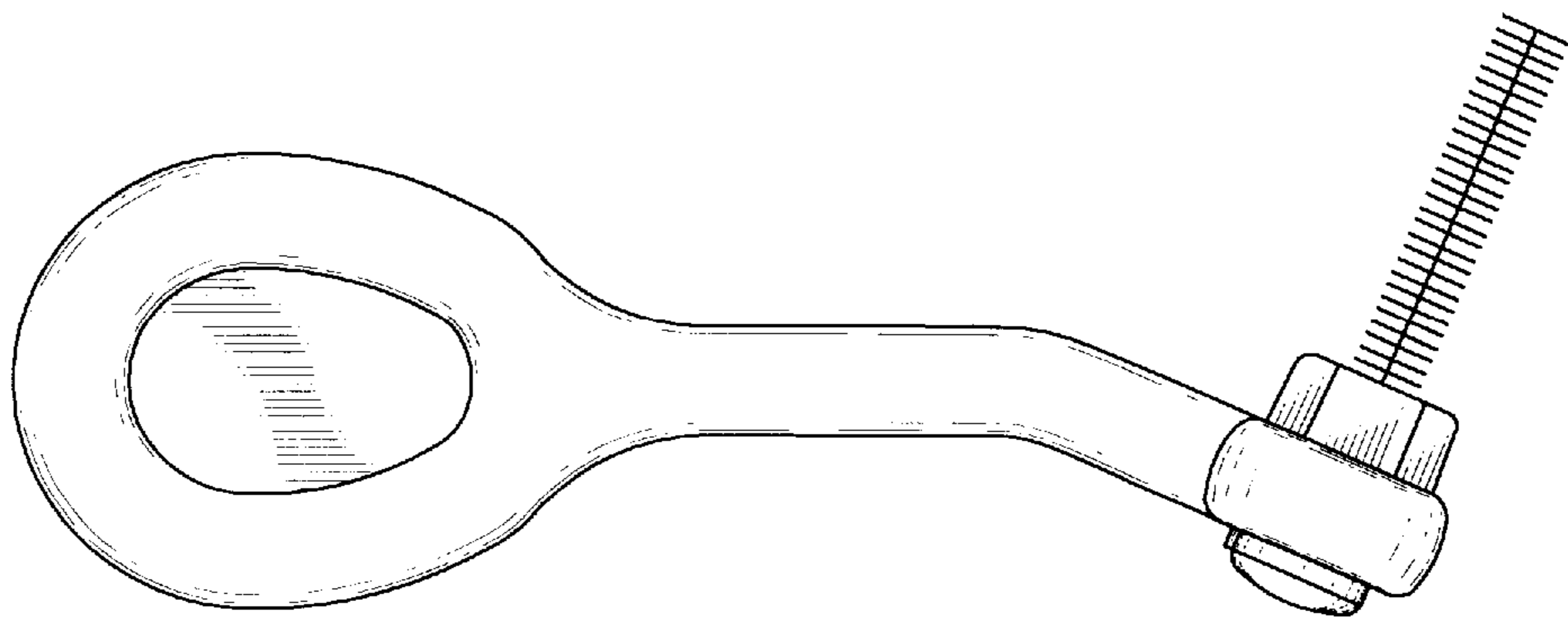


FIG. 7

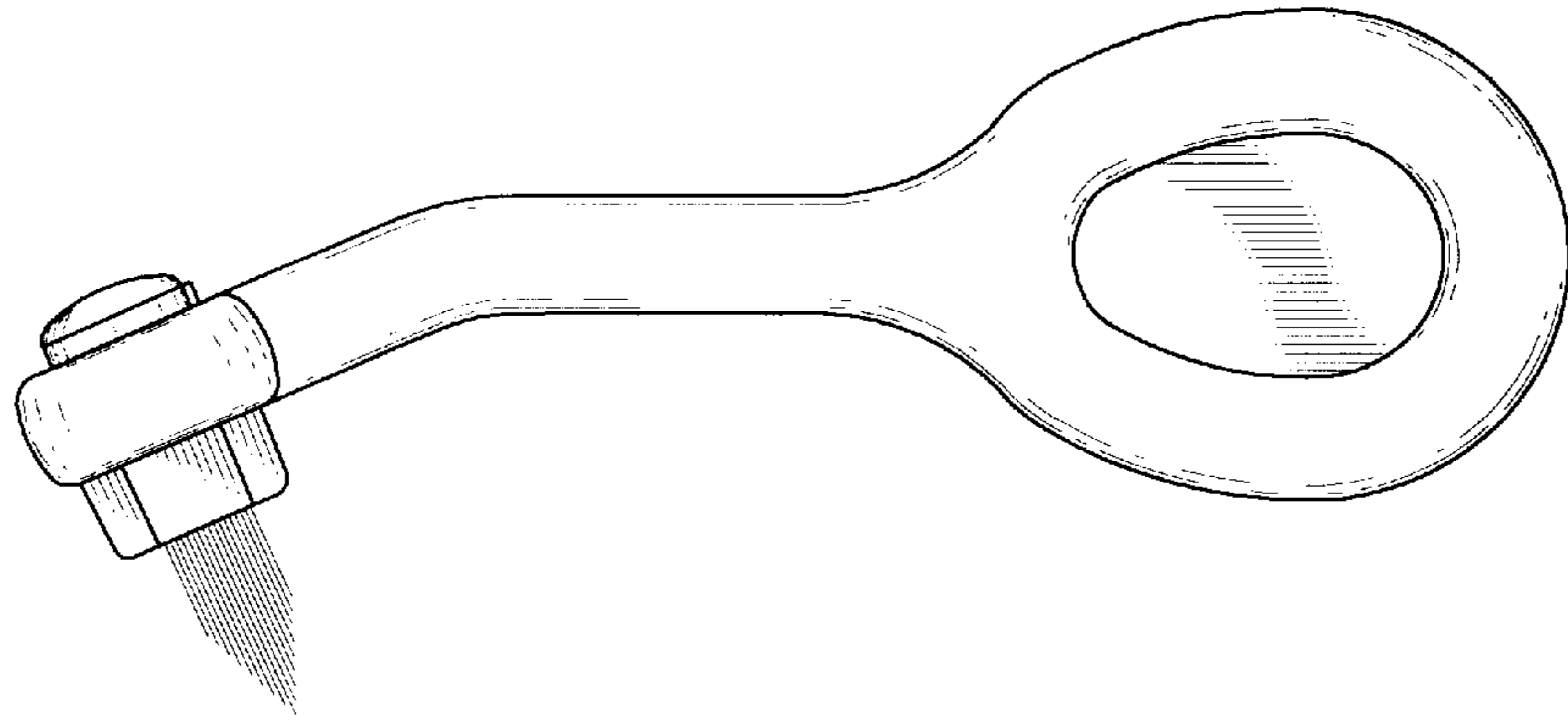


FIG. 8

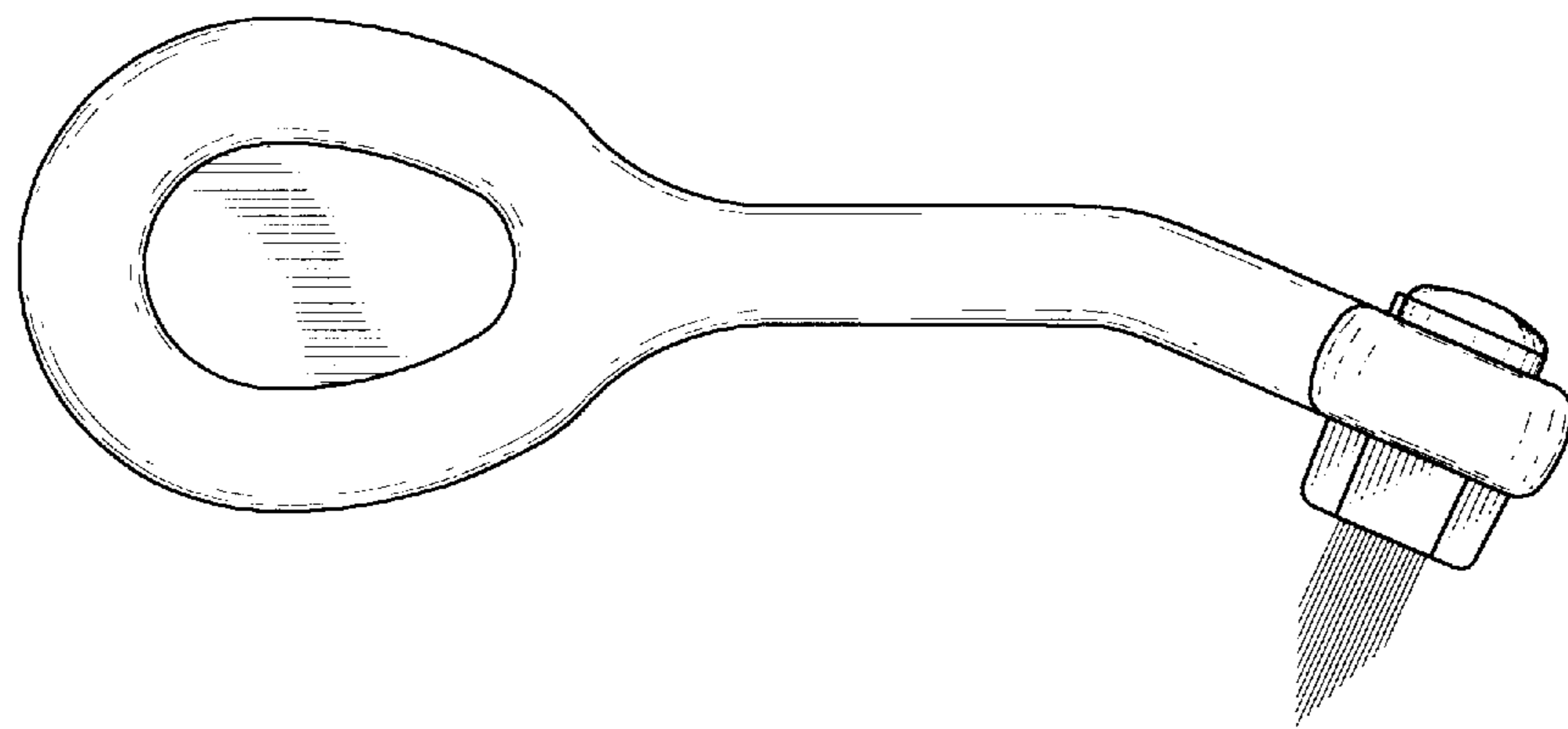


FIG. 9



FIG. 10



FIG. 11

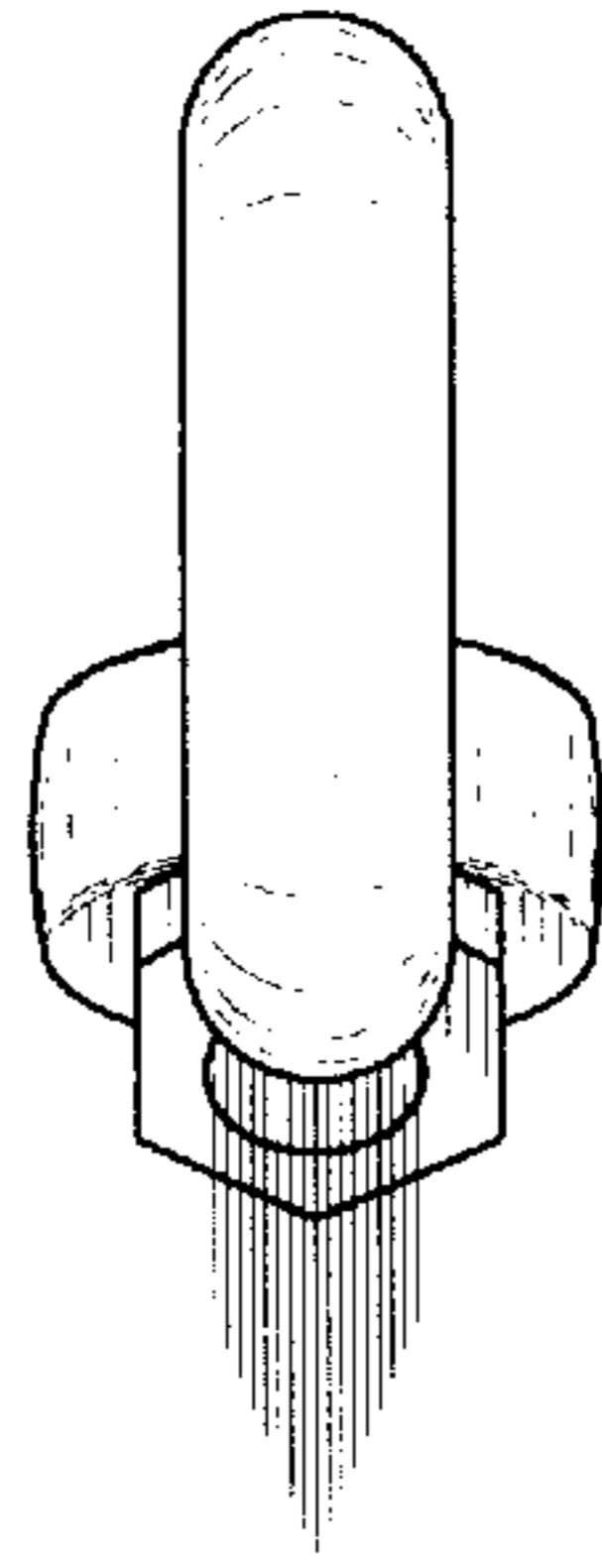


FIG. 12

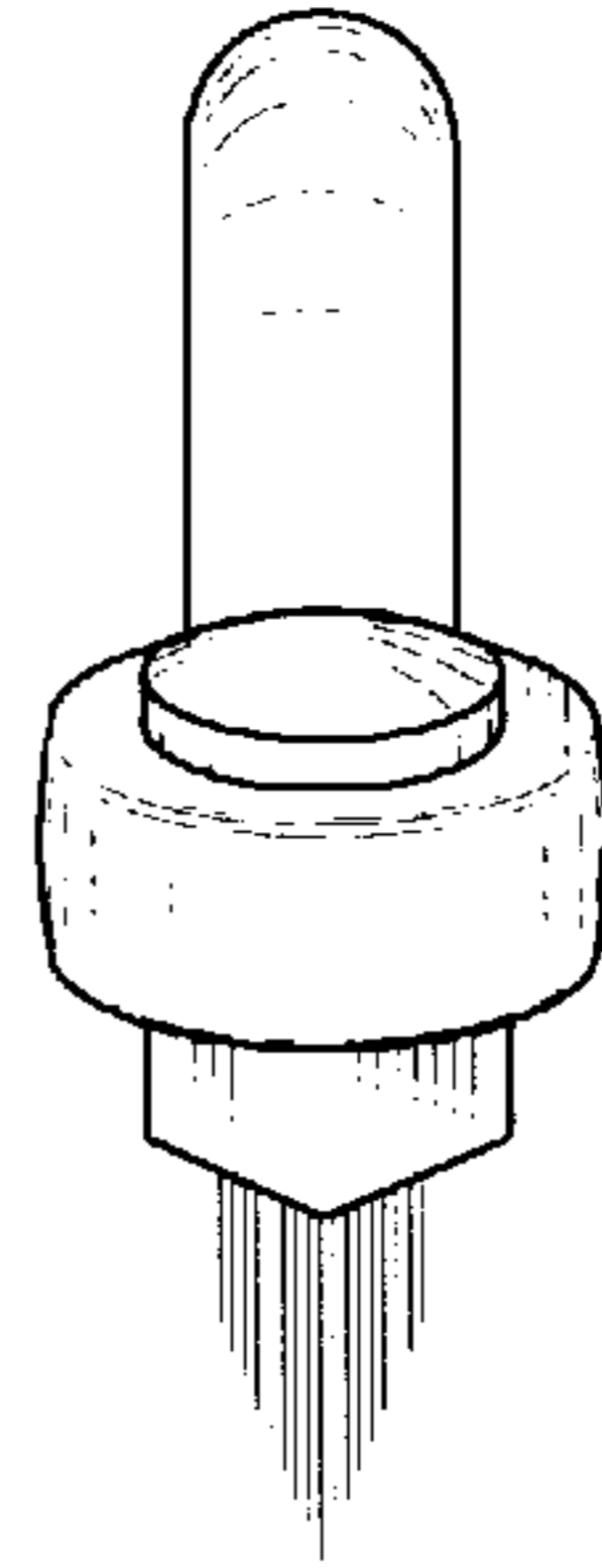


FIG. 13

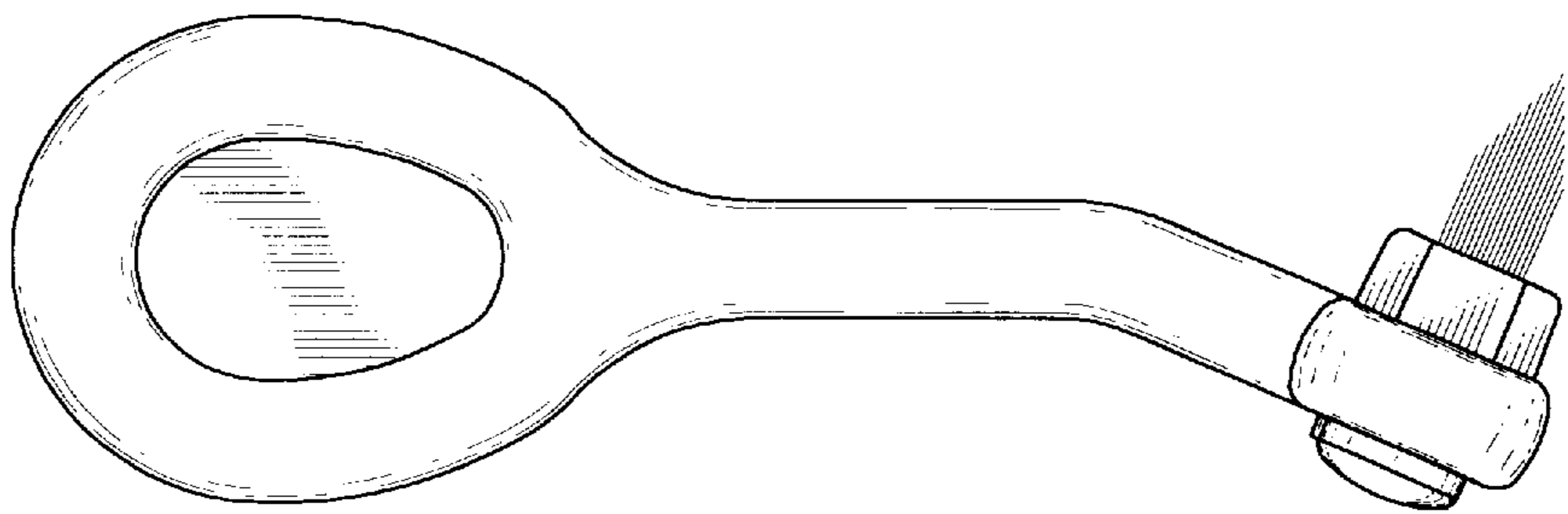


FIG. 14