



US00D406192S

**United States Patent** [19]  
**Schurman**

[11] **Patent Number: Des. 406,192**  
[45] **Date of Patent: \*\*Mar. 2, 1999**

[54] **CARRYING CASE WITH INTEGRAL HANDLE**

[75] Inventor: **Peter T. Schurman**, Woodbridge, Conn.

[73] Assignee: **The Plastic Forming Company, Inc.**, Woodbridge, Conn.

[\*\*] Term: **14 Years**

[21] Appl. No.: **72,019**

[22] Filed: **Jun. 18, 1997**

[51] **LOC (6) Cl.** ..... **03-01**

[52] **U.S. Cl.** ..... **D3/282**

[58] **Field of Search** ..... D3/273, 276, 281, D3/282, 905; 190/110, 111, 112, 113, 114, 115

[56] **References Cited**

**U.S. PATENT DOCUMENTS**

- D. 194,339 1/1963 Harty, Jr. .... D3/282
- D. 291,946 9/1987 Dottori et al. .... D3/282

- D. 314,669 2/1991 Kunimune ..... D3/282
- D. 321,985 12/1991 Ward ..... D3/282
- D. 343,063 1/1994 Chen ..... D3/905
- D. 351,504 10/1994 Tarozzi ..... D3/282
- D. 351,727 10/1994 Tarozzi ..... D3/276
- D. 357,117 4/1995 Huang ..... D3/282
- D. 384,501 10/1997 Rosen ..... D3/276
- D. 391,760 3/1998 Zeller ..... D3/276

*Primary Examiner*—Philip S. Hyder  
*Attorney, Agent, or Firm*—Bachman & LaPointe, P.C.

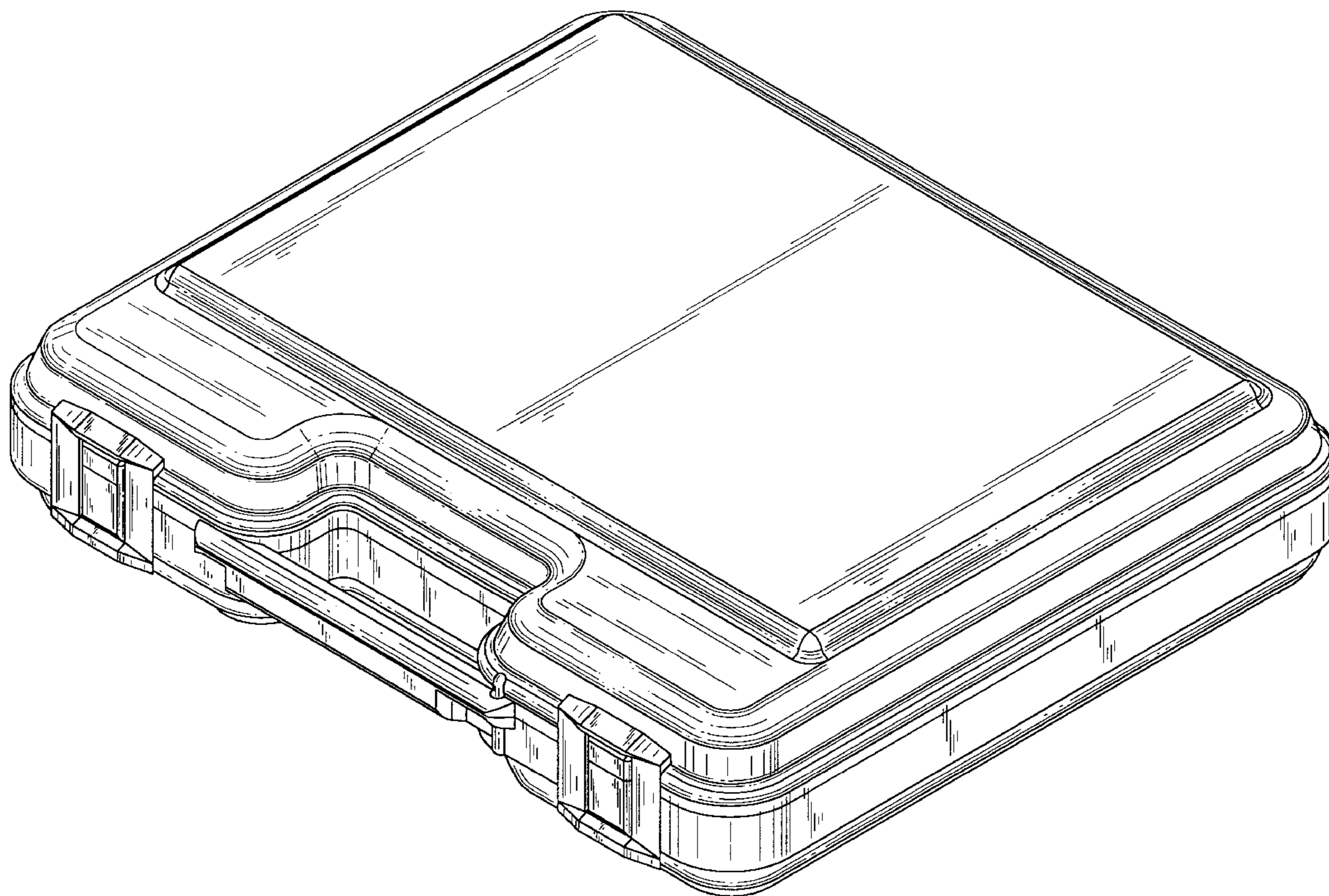
[57] **CLAIM**

The ornamental design for a carrying case with integral handle, as shown and described.

**DESCRIPTION**

FIG. 1 is a perspective view of the carrying case of the present invention;  
FIG. 2 is a front view of the carrying case of FIG. 1;  
FIG. 3 is a rear view of the carrying case of FIG. 1;  
FIG. 4 is a side view of the carrying case of FIG. 1;  
FIG. 5 is a top view of the carrying case of FIG. 1; and,  
FIG. 6 is a bottom view of the carrying case of FIG. 1.

**1 Claim, 5 Drawing Sheets**



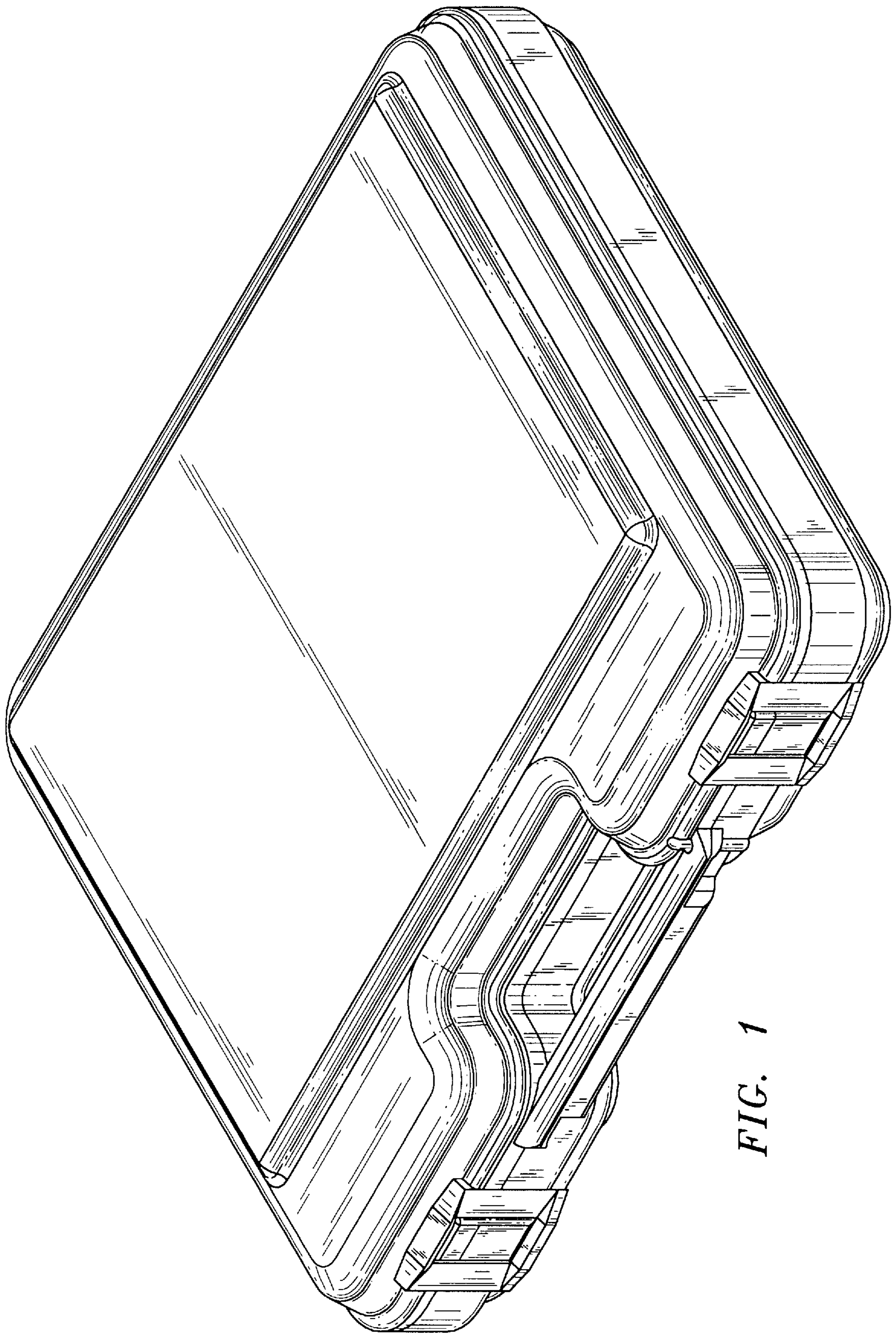


FIG. 1

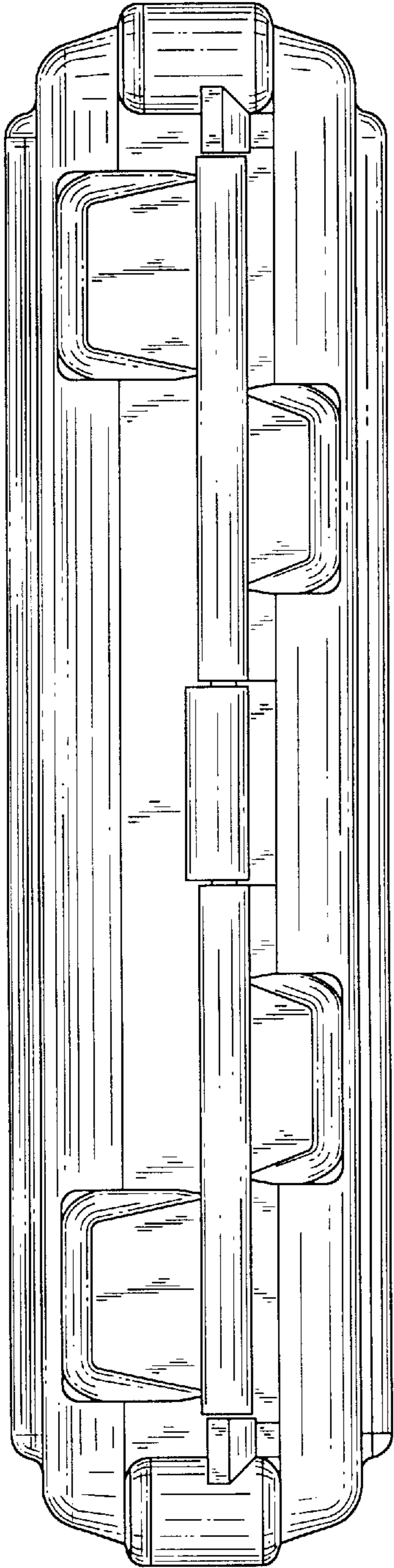


FIG. 3

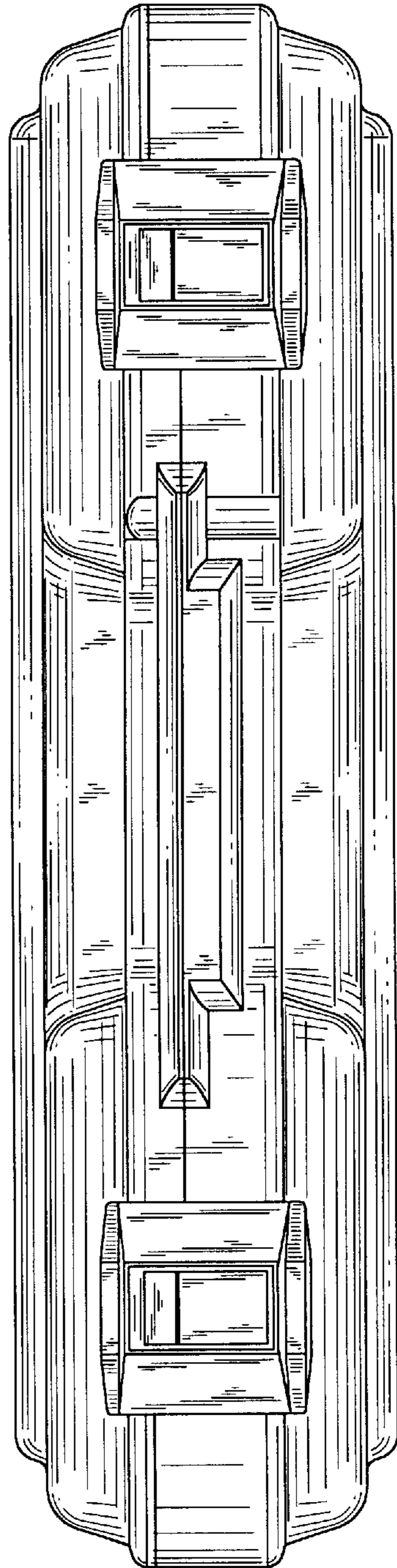


FIG. 2

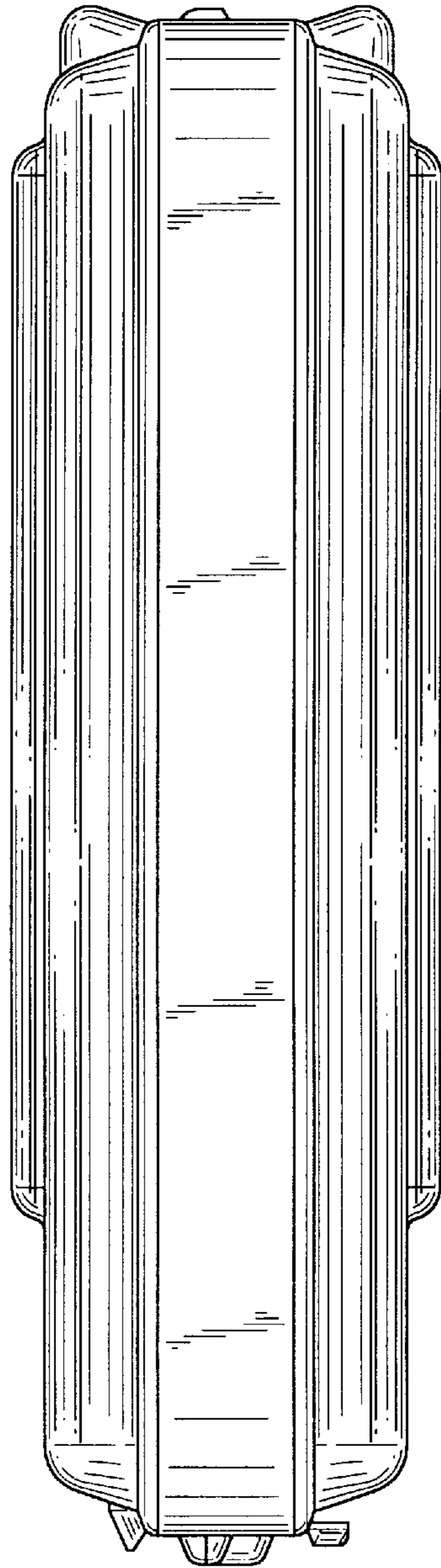


FIG. 4

FIG. 5

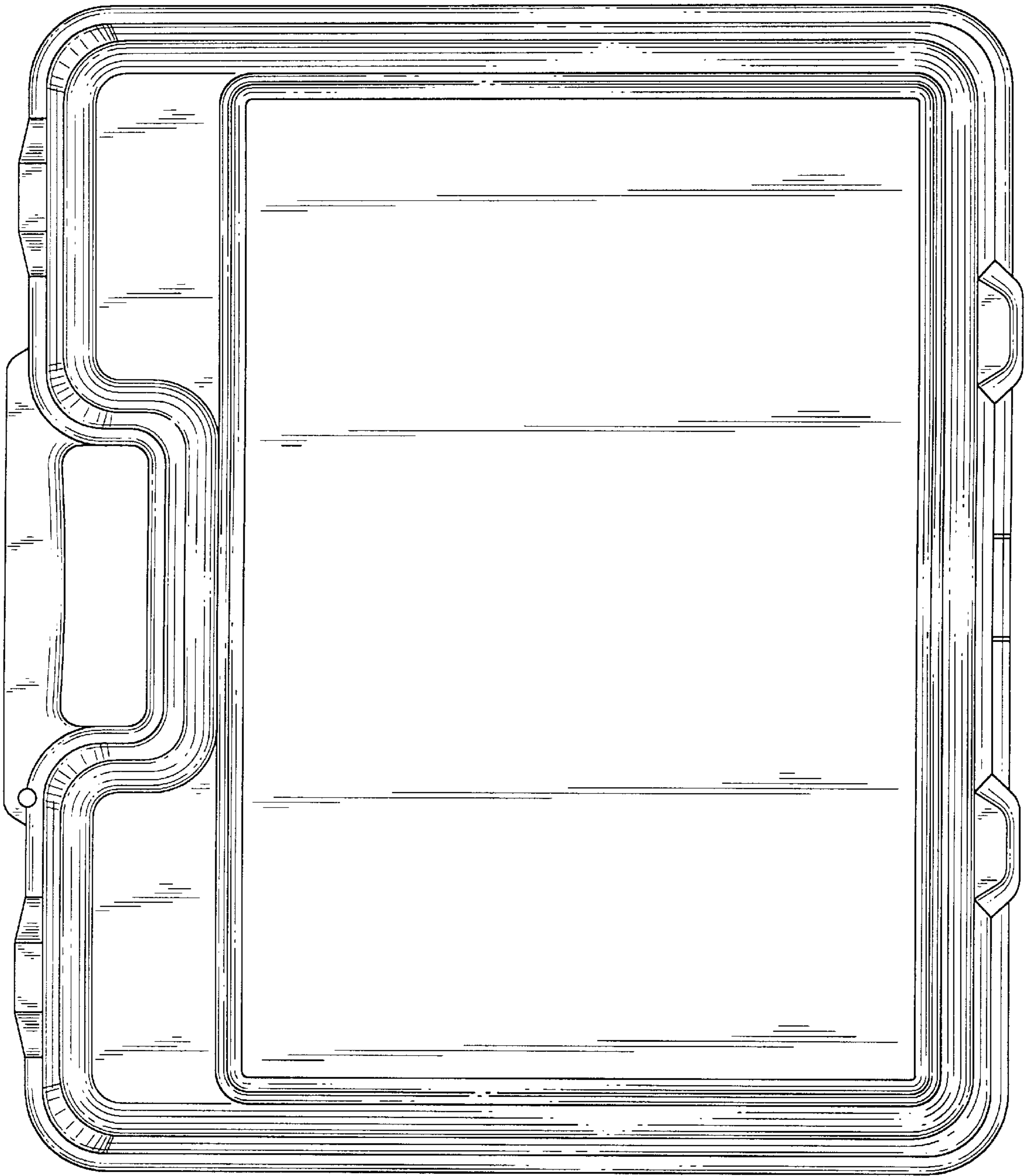


FIG. 6

