



US00D406190S

United States Patent [19] Hagerty

[11] **Patent Number: Des. 406,190**

[45] **Date of Patent: **Mar. 2, 1999**

[54] **NOVELTY BASEBALL CAP**

[76] Inventor: **Robert O. Hagerty**, 520 Dowlen Rd.,
Apartment 195, Beaumont, Tex. 77706

[**] Term: **14 Years**

[21] Appl. No.: **80,717**

[22] Filed: **Dec. 15, 1997**

[51] **LOC (6) Cl. 02-03**

[52] **U.S. Cl. D2/895; D2/865; D2/896**

[58] **Field of Search D2/865, 866, 868,
D2/869, 891, 895, 171, 181, 195.1, 200.3,
209.13, 68, 245; 446/26, 27; D21/550,
549, 548, 533**

[56] **References Cited**

U.S. PATENT DOCUMENTS

D. 218,693	9/1970	Cooper	D21/550
D. 227,385	6/1973	Wood	D21/550
D. 294,376	2/1988	Kamikawa	D21/548
D. 305,250	12/1989	Vendetti	D21/548
D. 317,223	6/1991	Copeland .	
D. 329,729	9/1992	Coyle .	
D. 336,357	6/1993	Gravante .	
D. 343,274	1/1994	Paterek .	
D. 362,743	10/1995	Martin .	
D. 368,354	4/1996	Dane .	

1,491,258	4/1924	Gluckin	2/68
4,586,280	5/1986	Dane .	
5,561,864	10/1996	DeMars .	
5,781,934	7/1998	Pauley, Jr.	2/209.13

Primary Examiner—Paula A Mortimer
Attorney, Agent, or Firm—Richard C. Litman

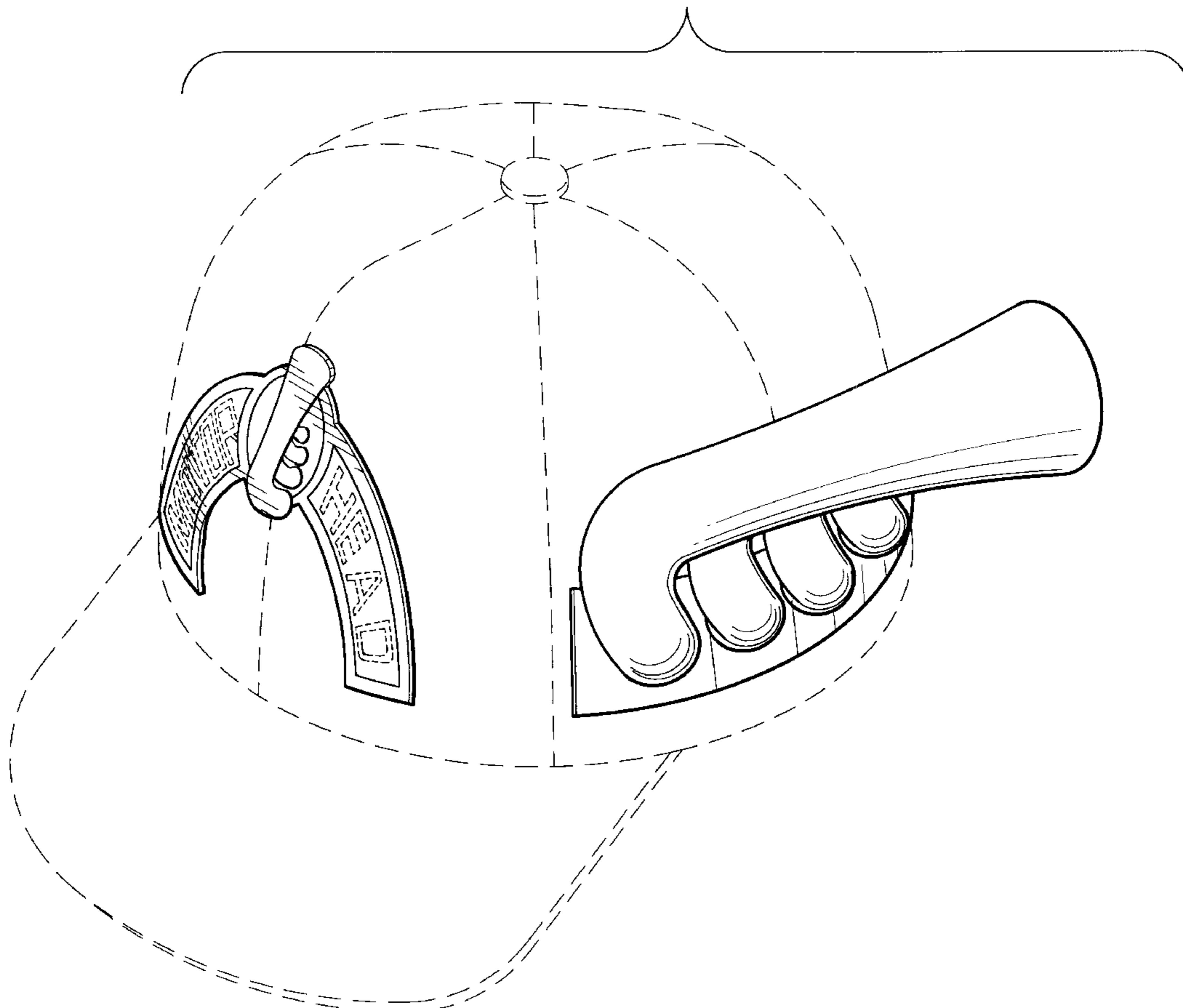
[57] **CLAIM**

The ornamental design for a novelty baseball cap, as shown and described.

DESCRIPTION

FIG. 1 is a front elevational view of a novelty baseball cap showing my new design;
 FIG. 2 is a right side elevational view thereof, the left side is a mirror image;
 FIG. 3 is a rear elevational view thereof;
 FIG. 4 is a top plan view of a second embodiment of a novelty baseball cap showing my new design;
 FIG. 5 is a right side elevational view thereof, the left side is a mirror image; and,
 FIG. 6 is a front elevational view thereof.
 The broken line showing of the words "Motor Head" in FIG. 1 and the broken line showing of the cap in all views is for illustrative purposes only and forms no part of the claimed design.

1 Claim, 6 Drawing Sheets



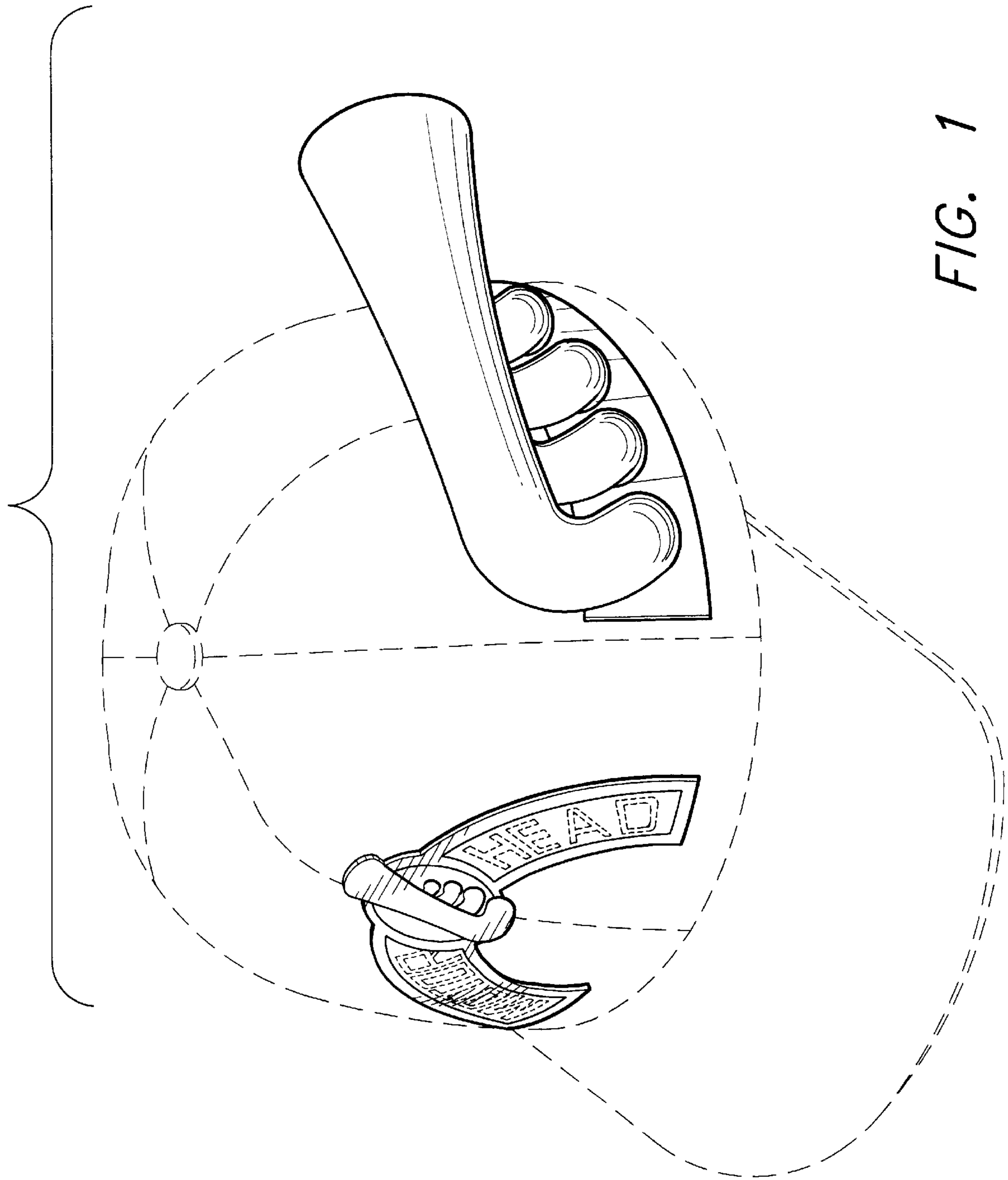


FIG. 1

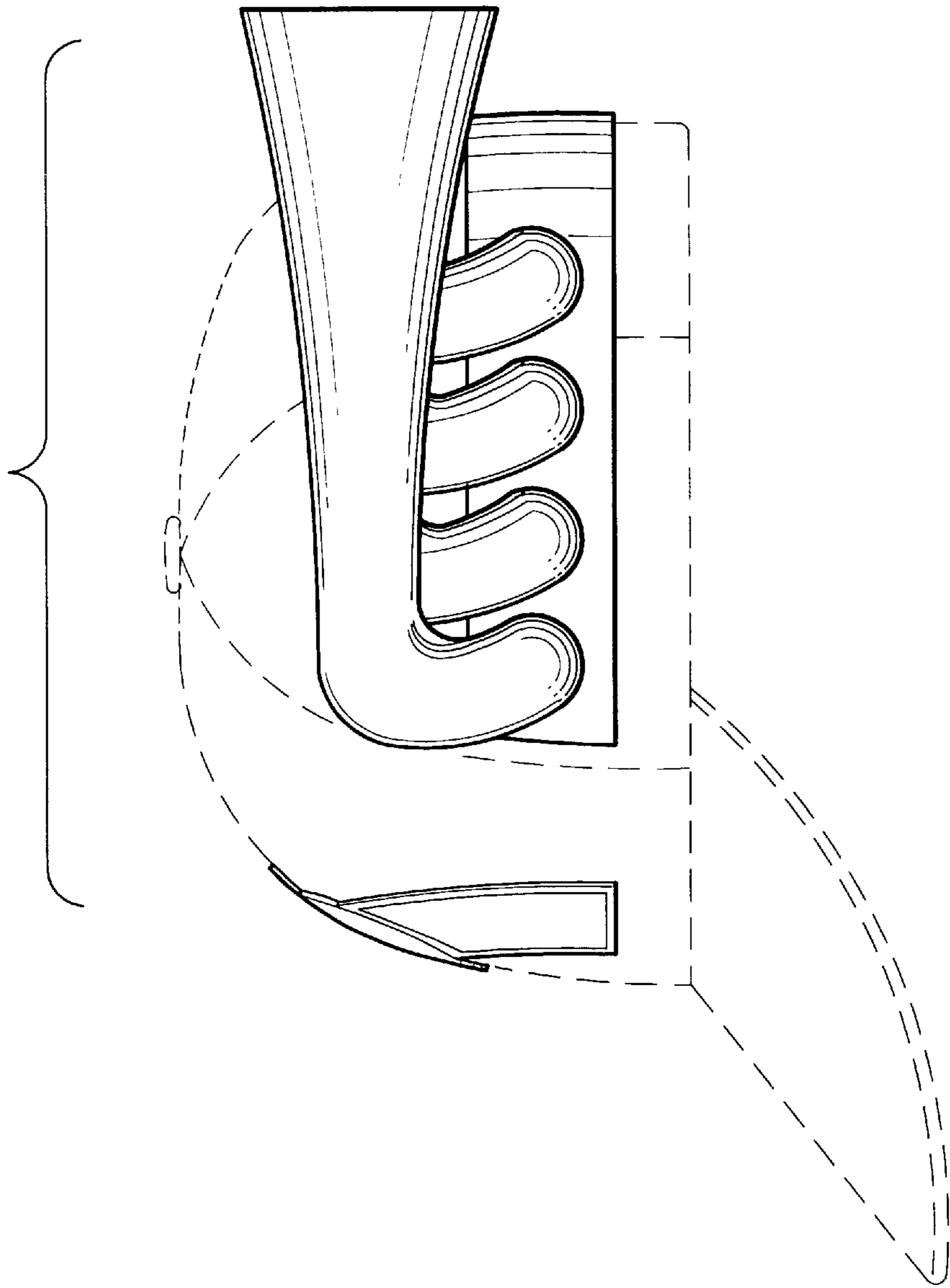


FIG. 2

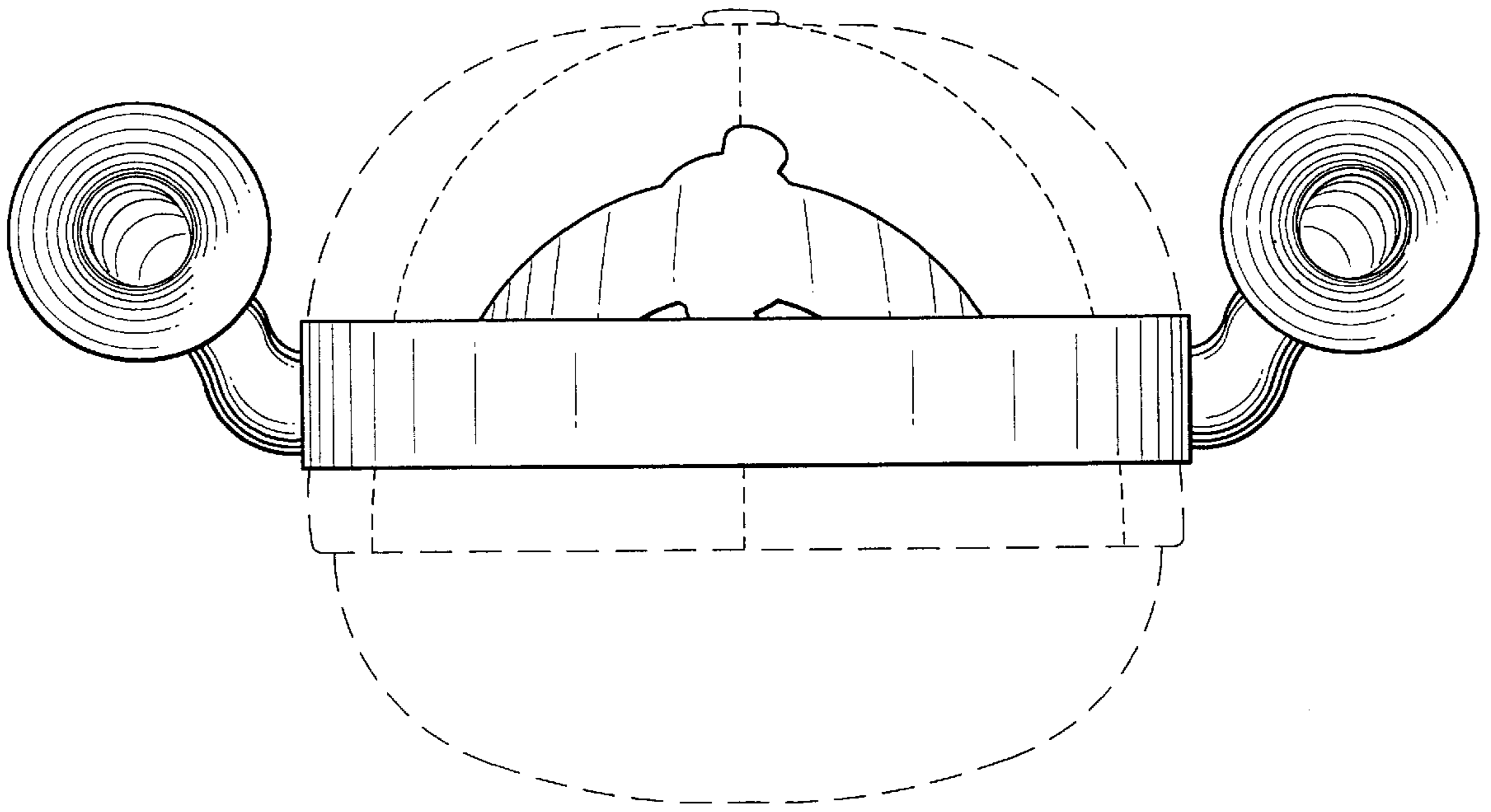


FIG. 3

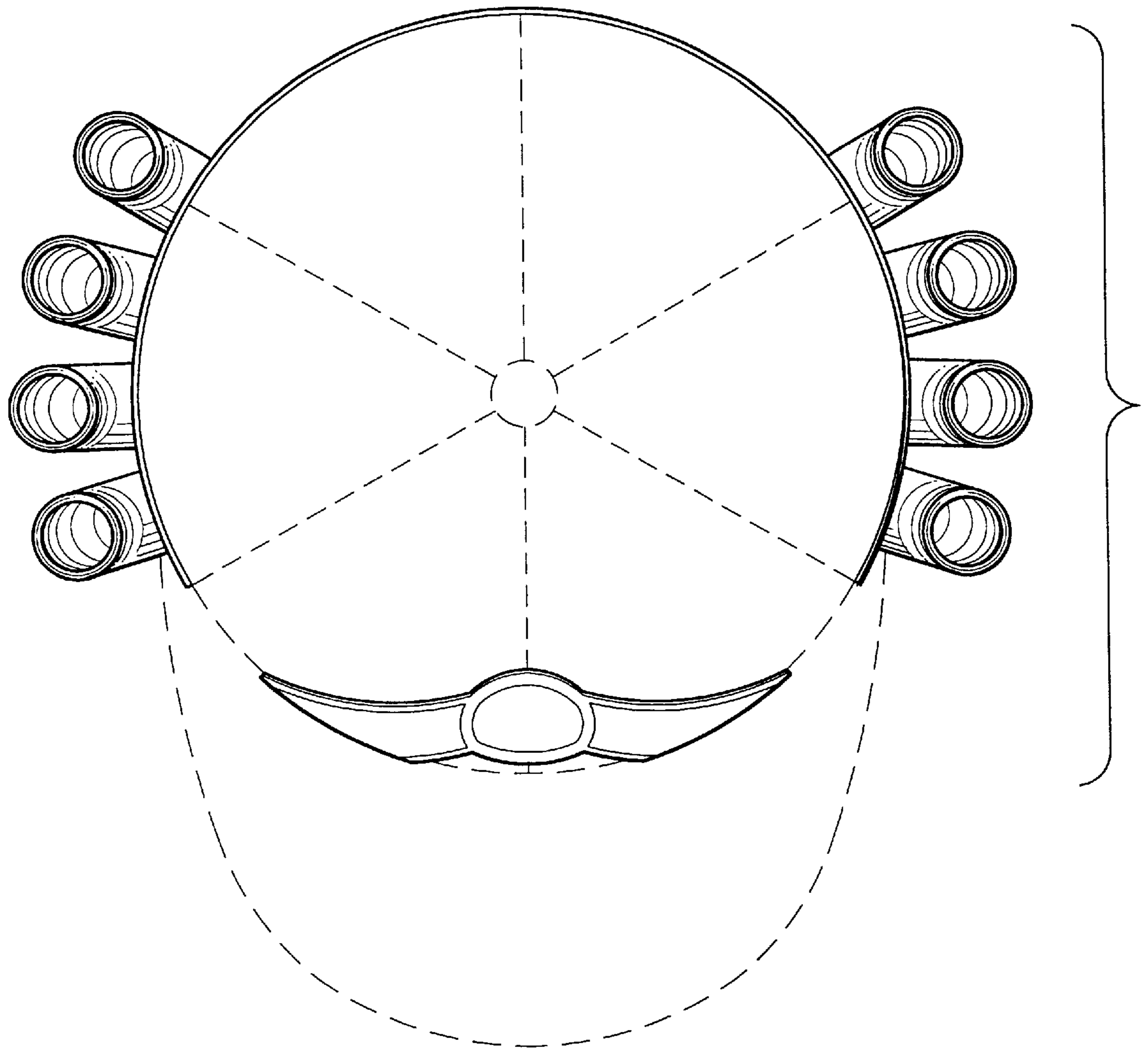


FIG. 4

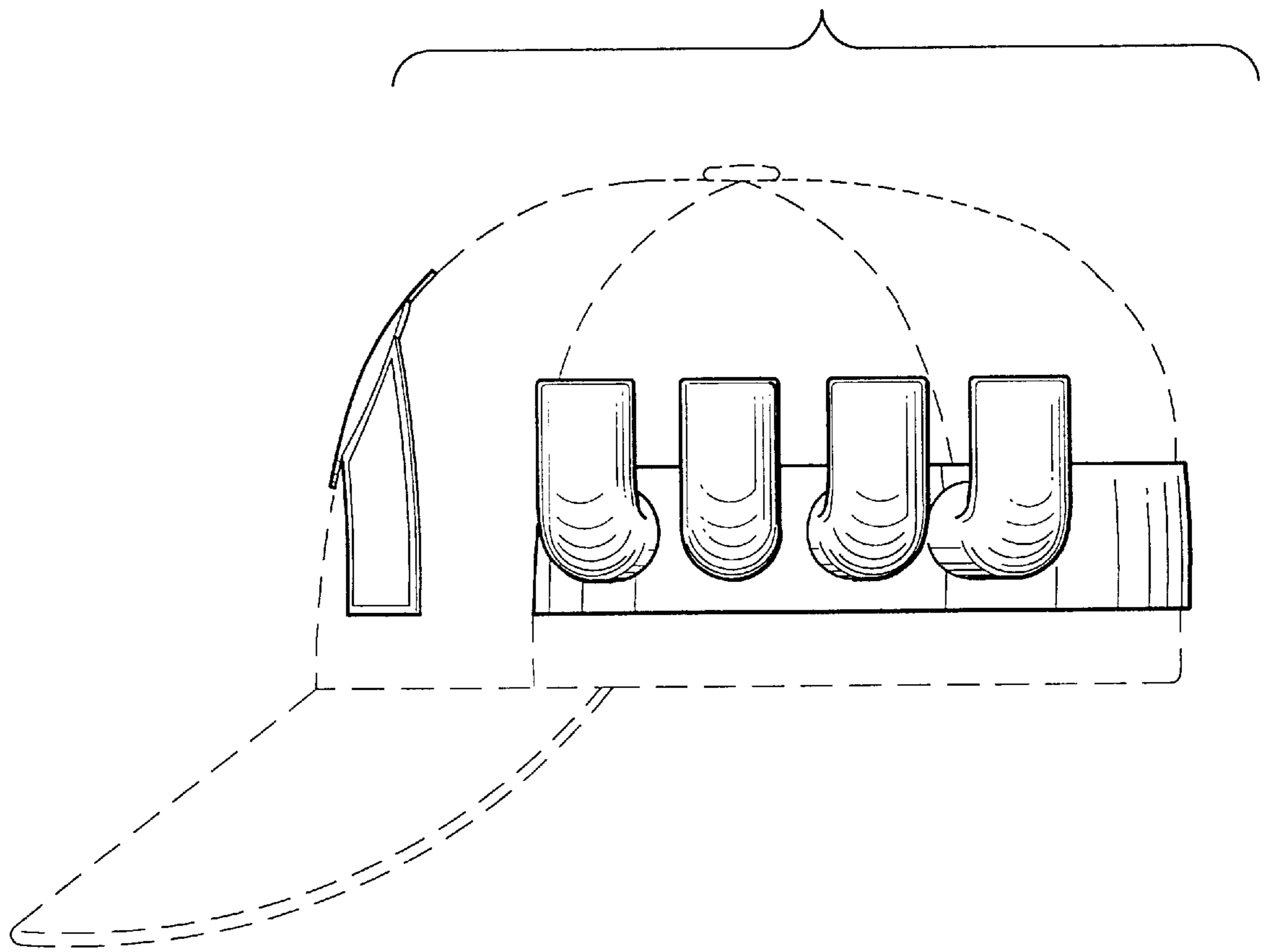


FIG. 5

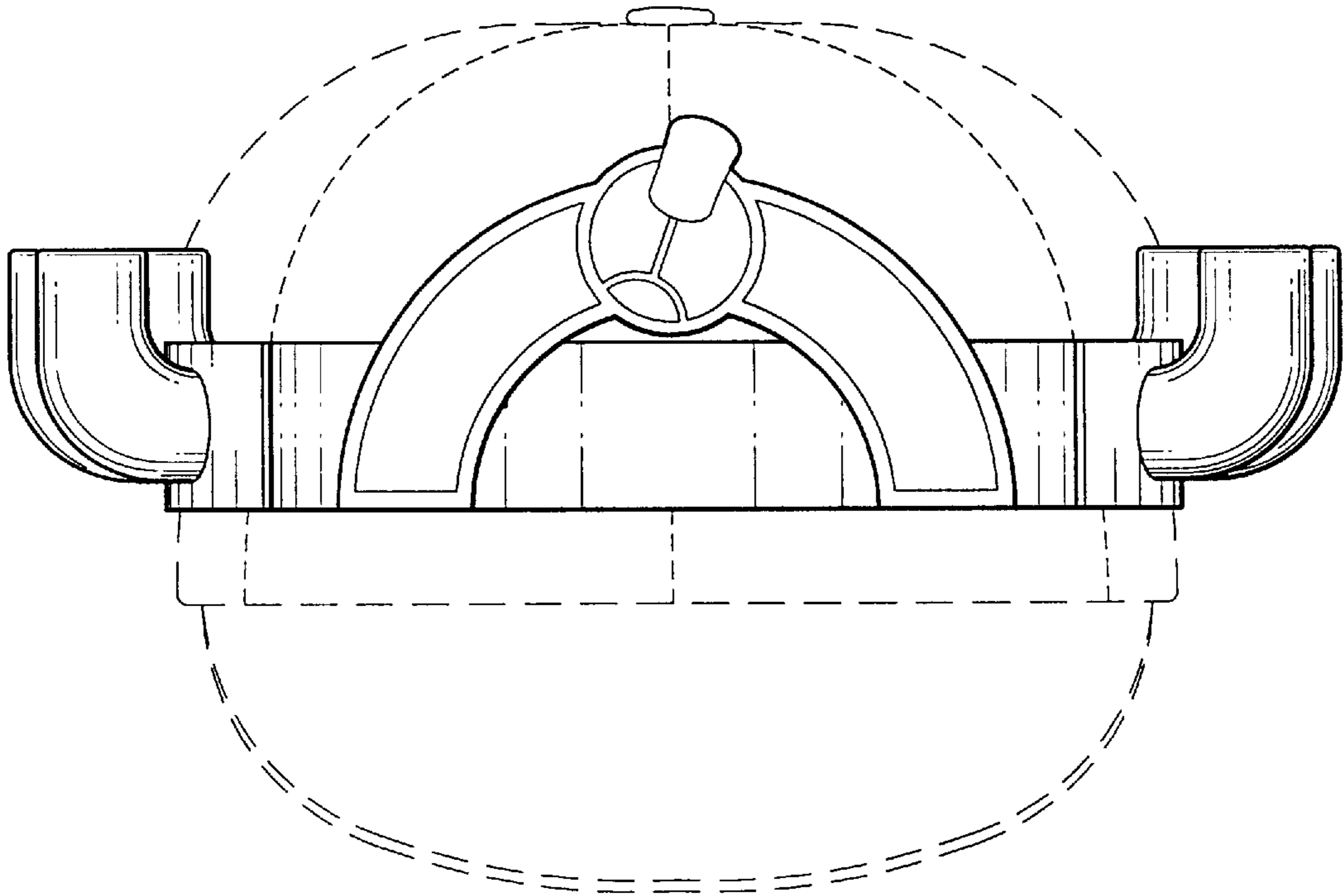


FIG. 6