



US00D406182S

United States Patent [19]

Chikui et al.

[11] Patent Number: **Des. 406,182**

[45] Date of Patent: ****Feb. 23, 1999**

[54] **OPERATING APPARATUS FOR A GAME MACHINE**

[75] Inventors: **Noriyoshi Chikui; Eita Kada**, both of Kobe, Japan

[73] Assignee: **Konami Co., Ltd.**, Hyogo-ken, Japan

[**] Term: **14 Years**

[21] Appl. No.: **71,396**

[22] Filed: **Jun. 2, 1997**

[30] **Foreign Application Priority Data**

Dec. 6, 1996 [JP] Japan 8-037039

[51] **LOC (6) Cl.** **21-01**

[52] **U.S. Cl.** **D21/325**

[58] **Field of Search** D21/1, 13, 240, D21/5, 11, 147; 463/1, 30, 31, 35, 46, 47, 51, 52; 273/355, 356, 857, 405

[56] **References Cited**

U.S. PATENT DOCUMENTS

- D. 380,779 7/1997 Shinzato D21/13
- D. 382,915 8/1997 Yang D21/13
- D. 383,169 9/1997 Shinzato D21/13
- D. 384,982 10/1997 Moriyama D21/13
- D. 386,796 11/1997 Komari D21/13
- 4,123,059 10/1978 Guibas 273/356

- 4,215,867 8/1980 Natwick 273/357
- 5,299,810 4/1994 Pierce et al. 463/30 X
- 5,318,295 6/1994 Hofer 463/30 X
- 5,439,230 8/1995 Mendis, Jr. 463/51 X

OTHER PUBLICATIONS

Jet Wave Simulation Game, p. 134, Feb. 1996.

Primary Examiner—Prabhakar G. Deshmukh
Attorney, Agent, or Firm—Jordan and Hamburg LLP

[57] **CLAIM**

The ornamental design for an operating apparatus for a game machine, as shown and described.

DESCRIPTION

FIG. 1 is a perspective view of an operating apparatus for a game machine;
 FIG. 2 is a front view of the operating apparatus;
 FIG. 3 is a rear view of the operating apparatus;
 FIG. 4 is a left side view of the operating apparatus;
 FIG. 5 is a right side view of the operating apparatus;
 FIG. 6 is a top view of the operating apparatus;
 FIG. 7 is a bottom view of the operating apparatus;
 FIG. 8 is a view of a section taken along the line 8—8 in FIG. 2; and,
 FIG. 9 is a view of a section taken along the line 9—9 in FIG. 2.

1 Claim, 9 Drawing Sheets

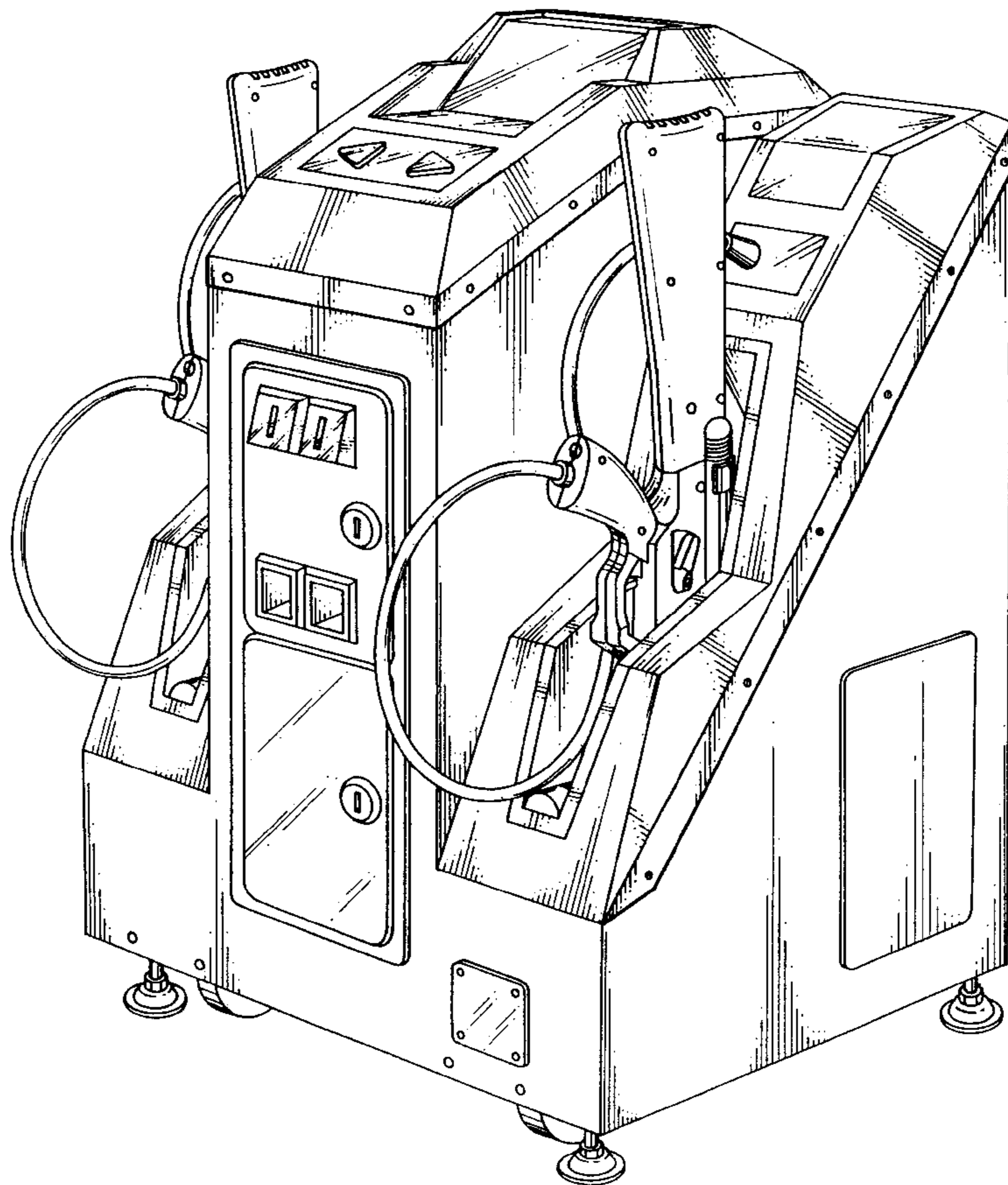


FIG. 1

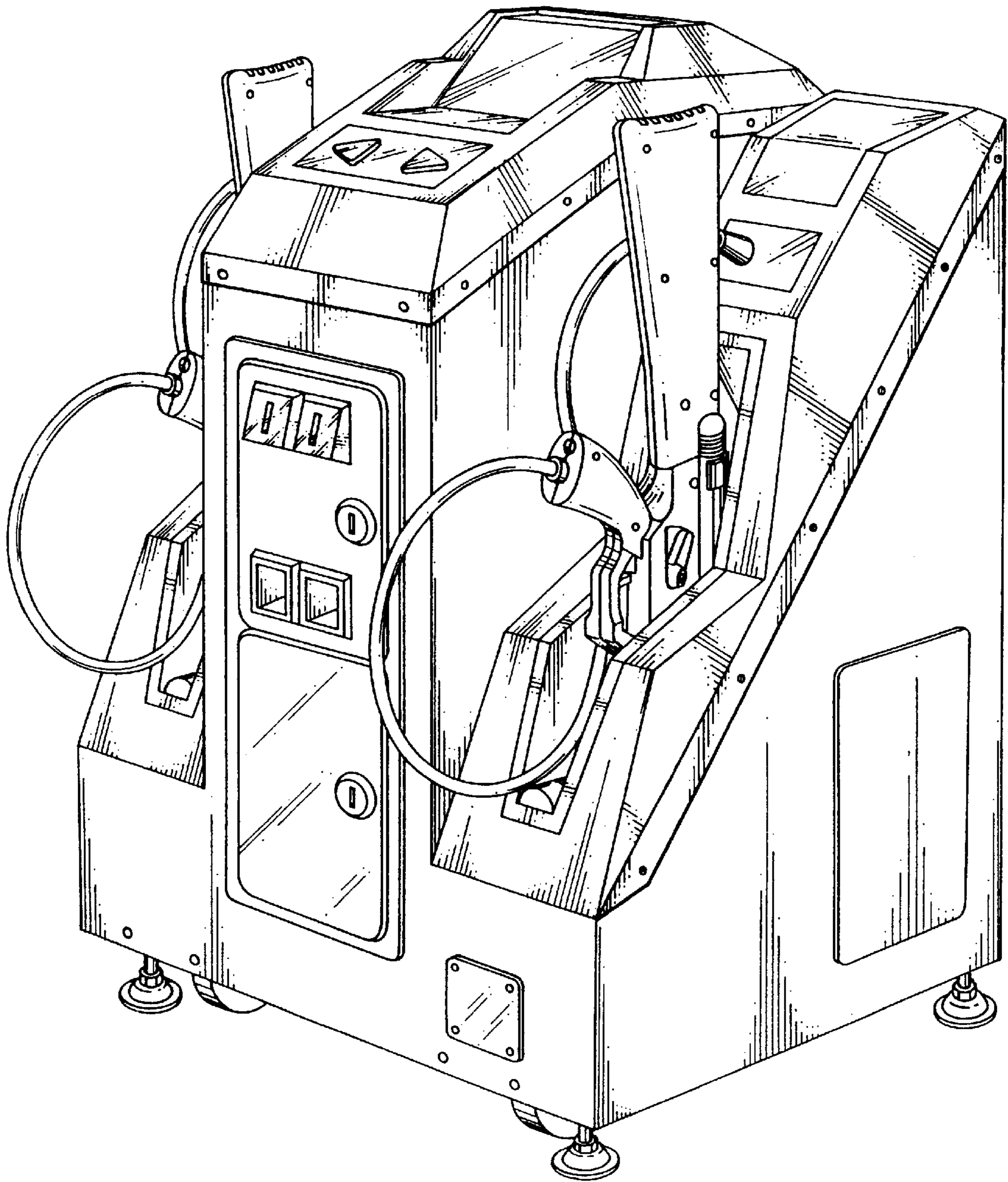


FIG. 2

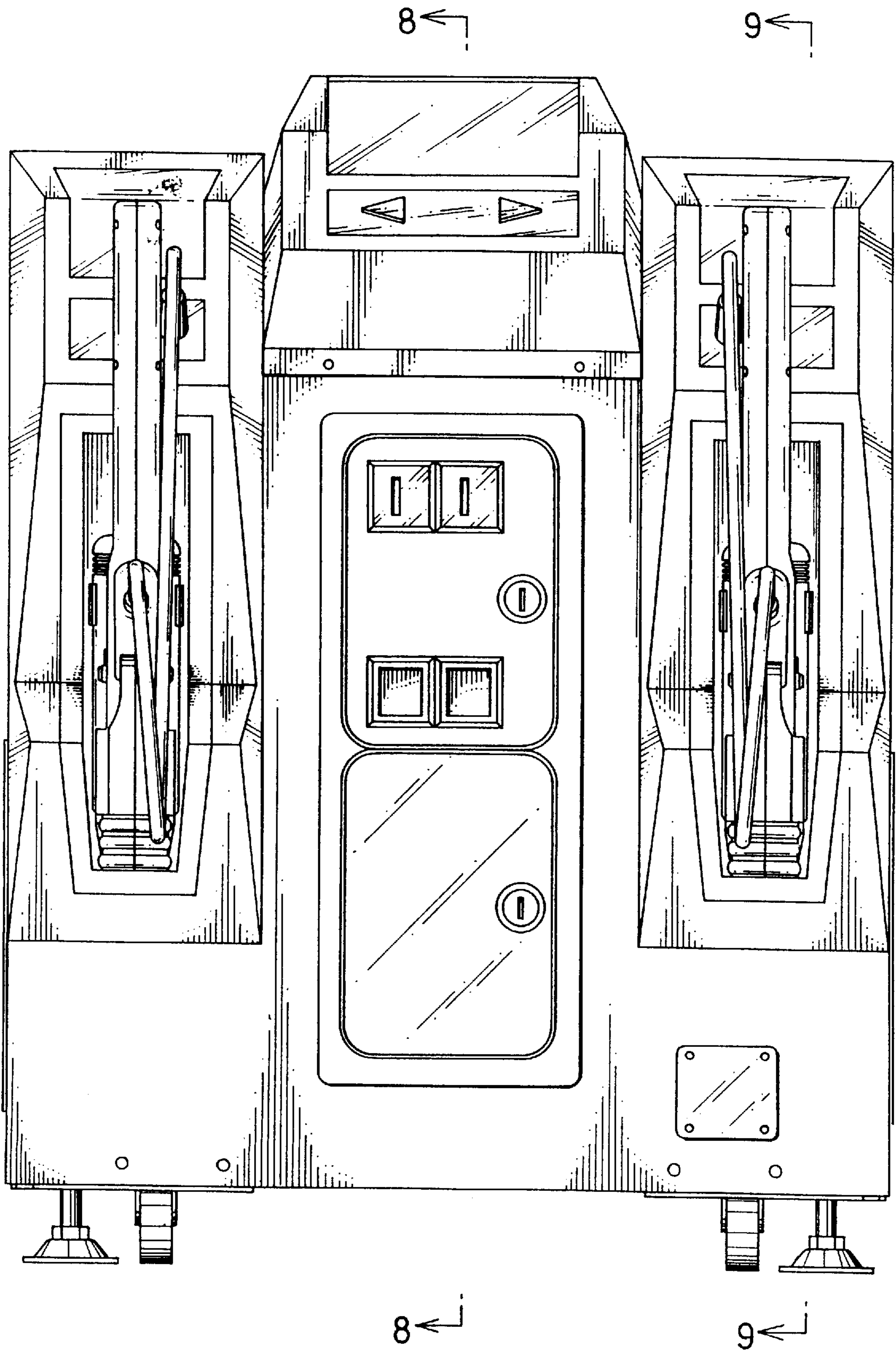


FIG. 3

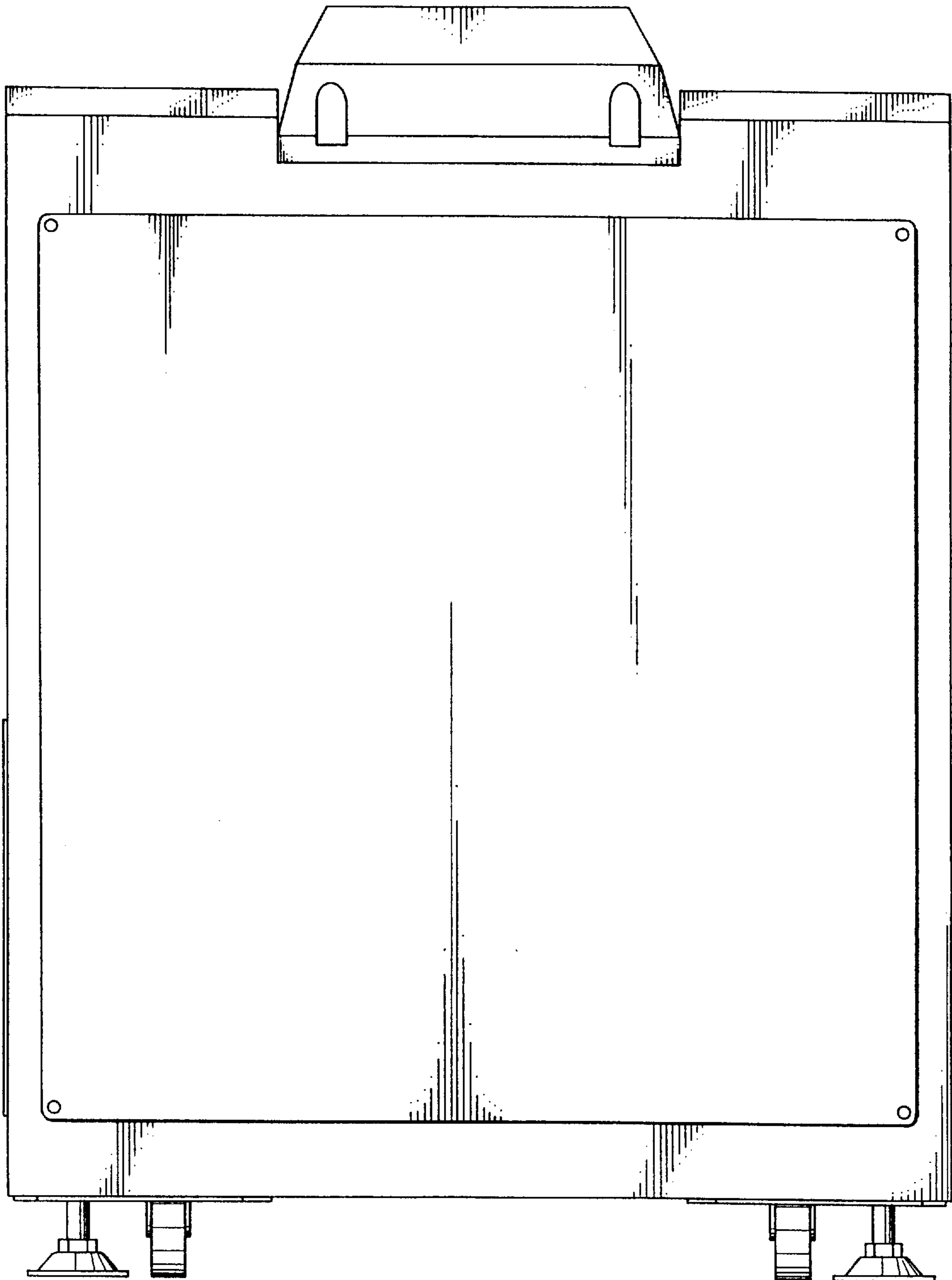


FIG. 4

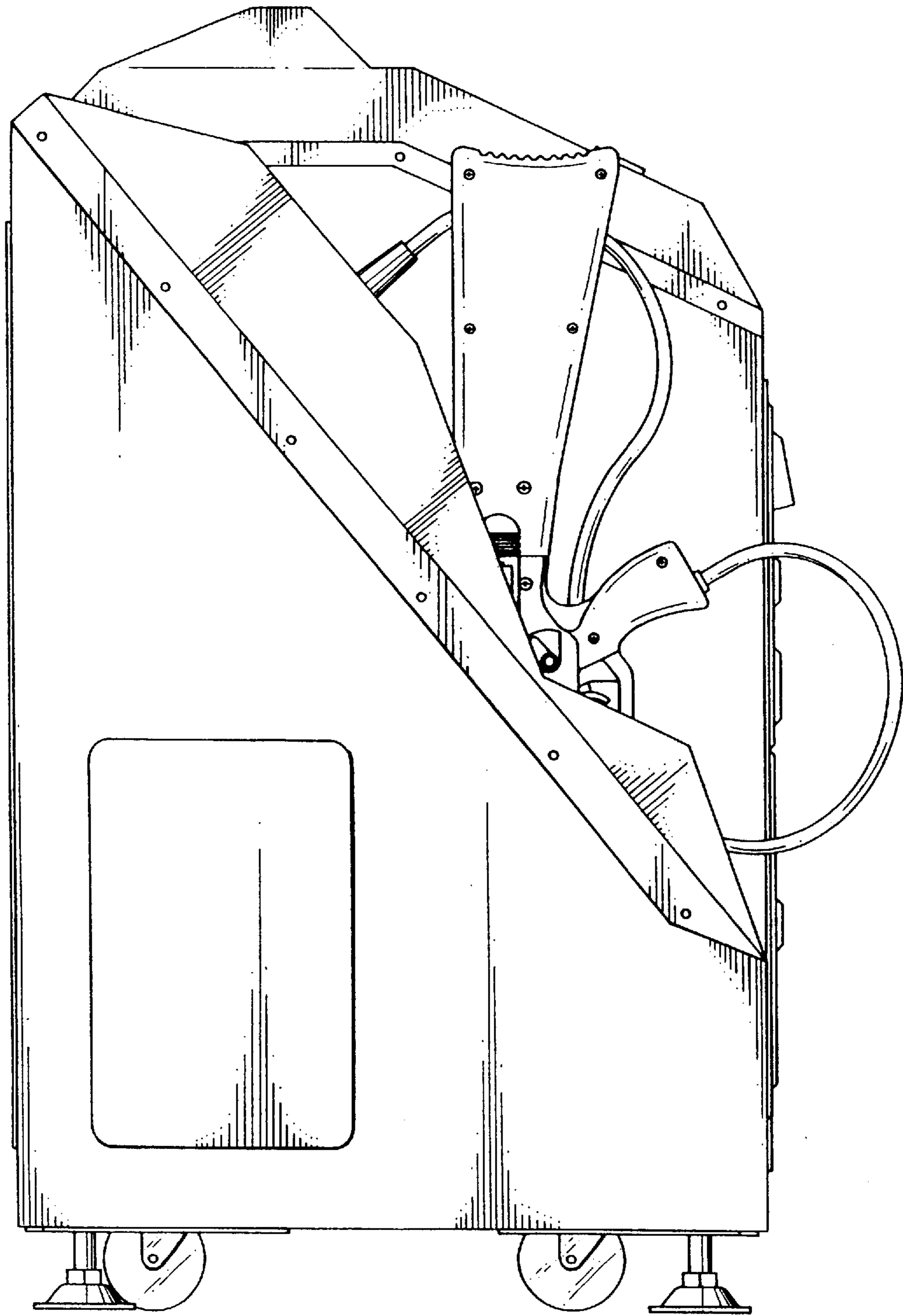


FIG. 5

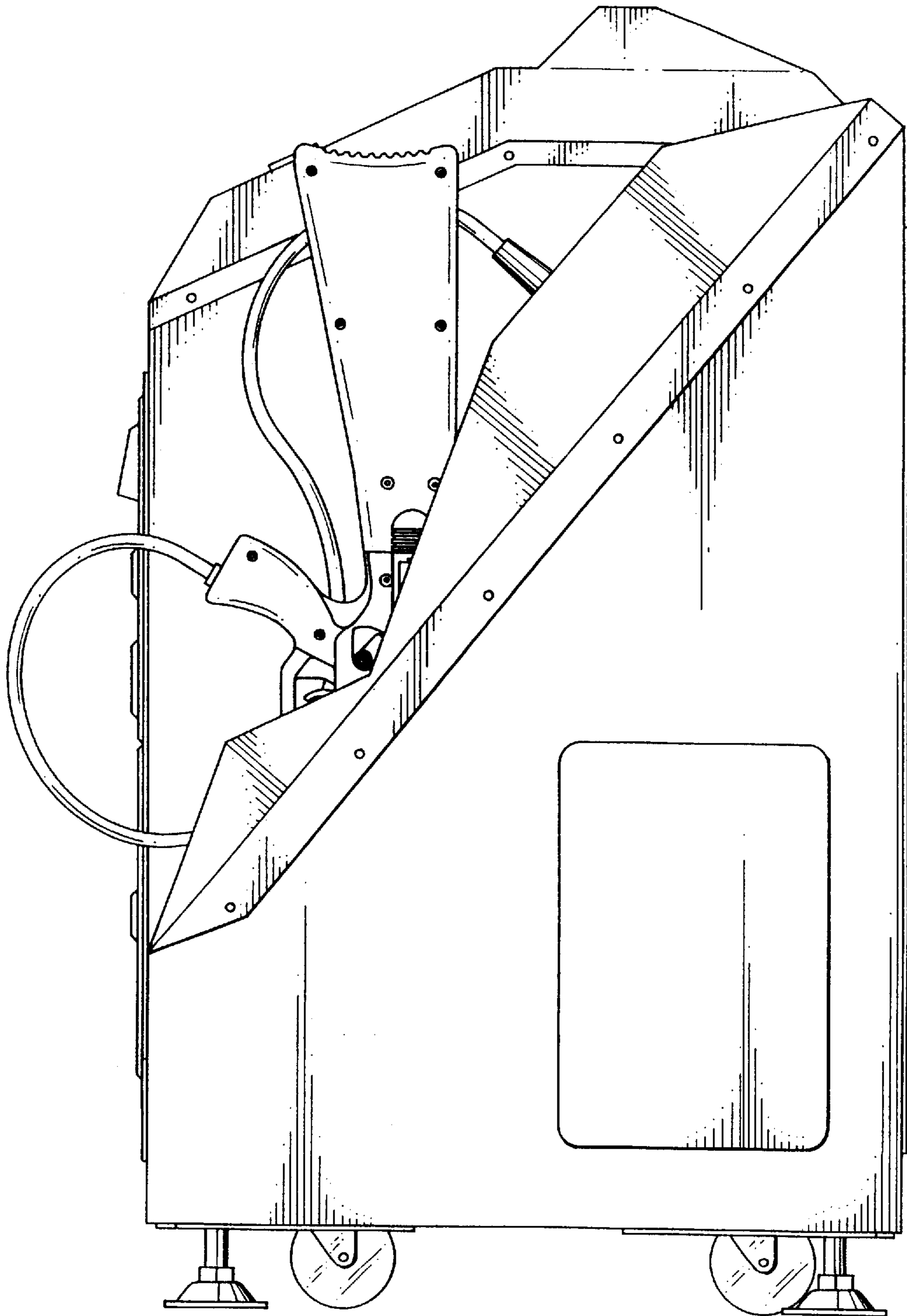


FIG. 6

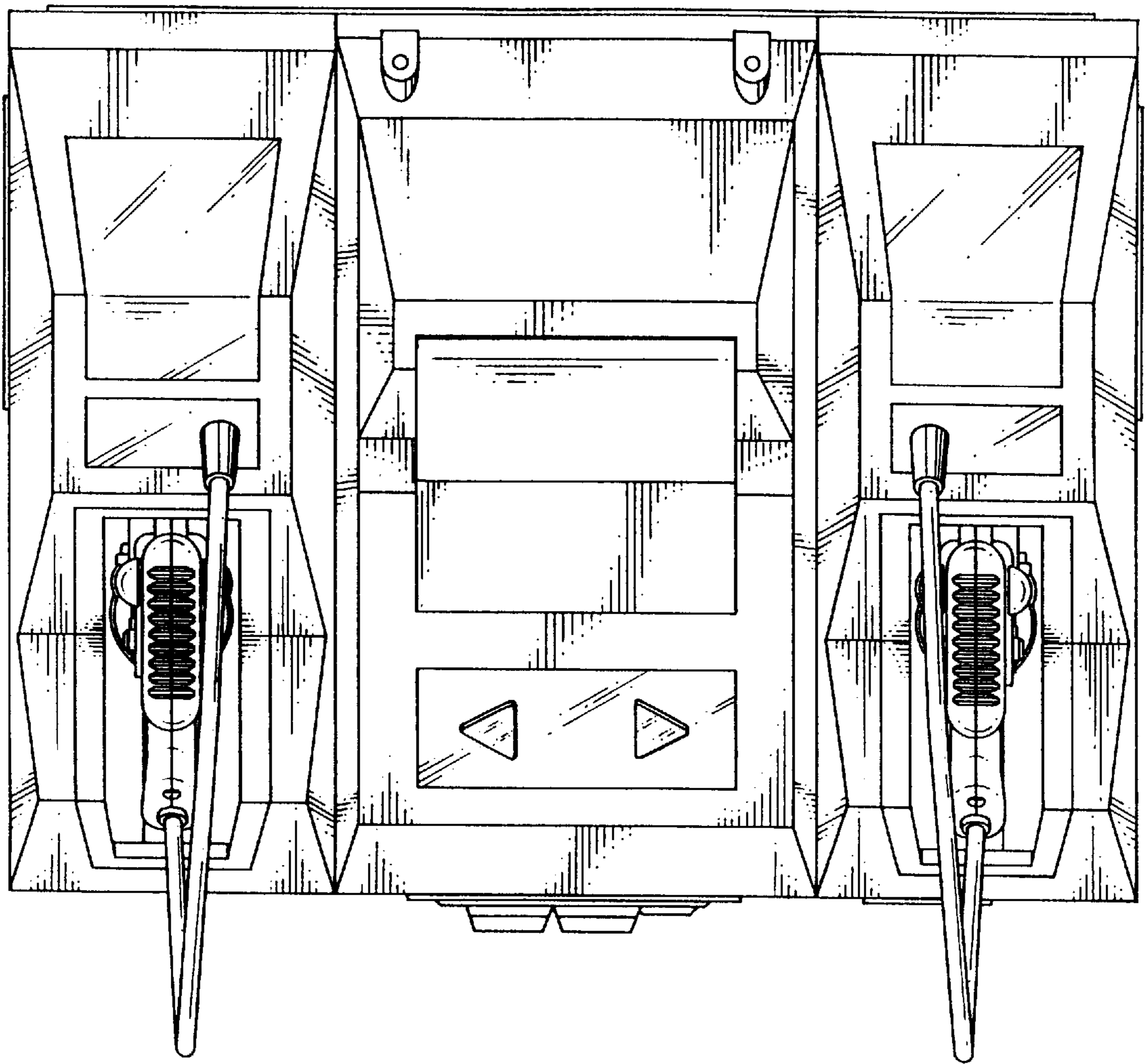


FIG. 7

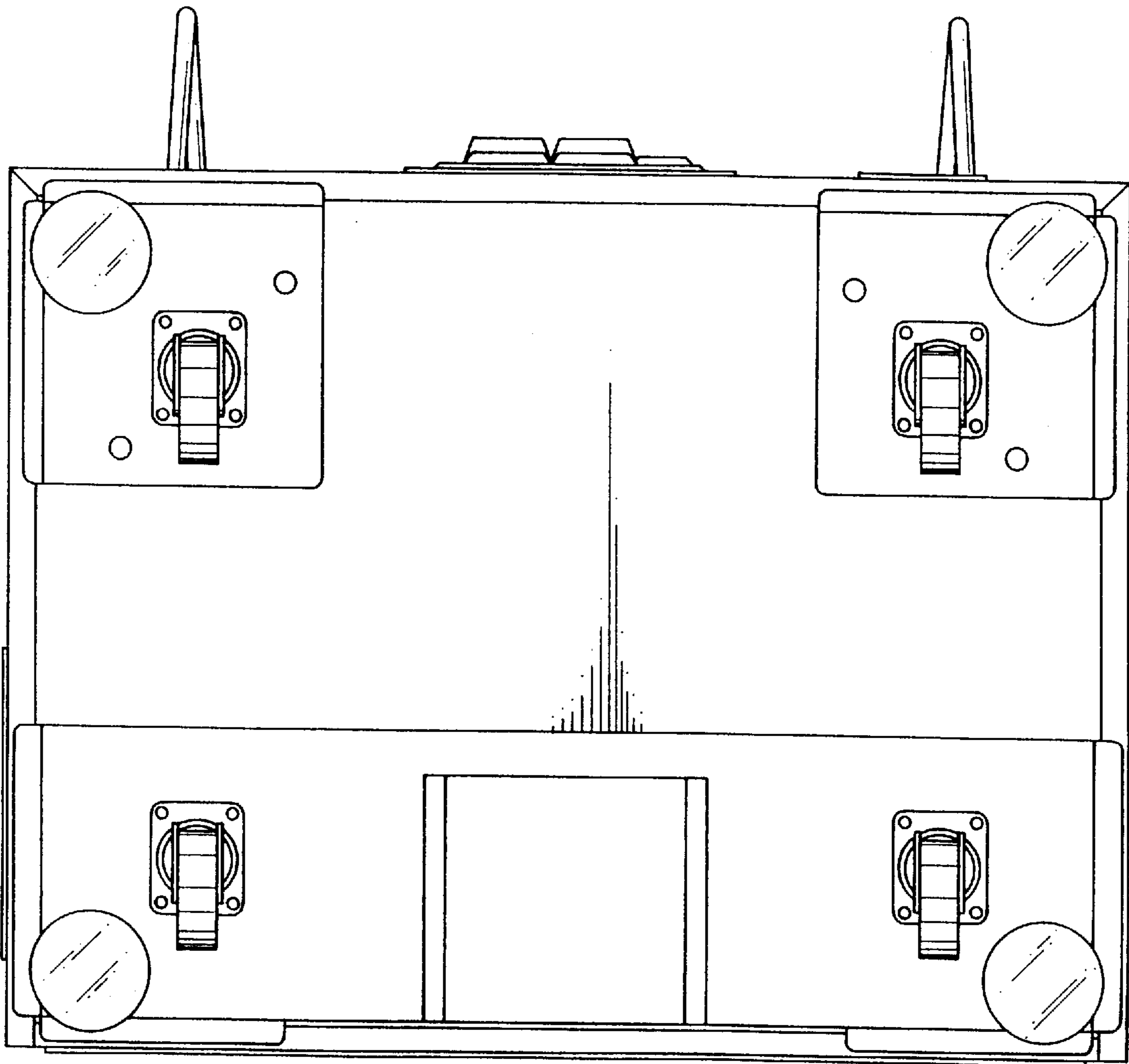


FIG. 8

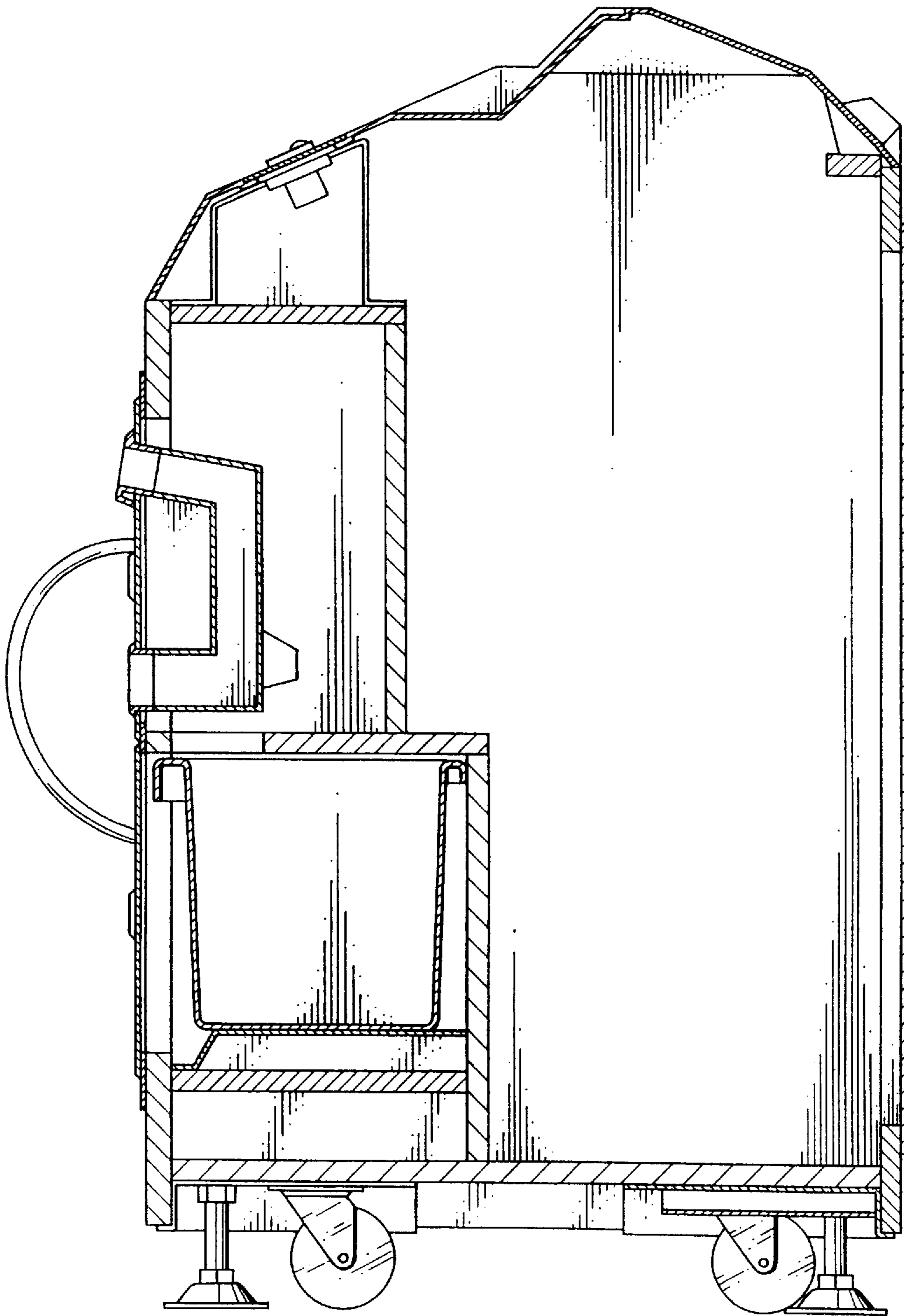


FIG. 9

