



US00D406161S

# United States Patent [19]

Yoshida et al.

[11] **Patent Number: Des. 406,161**

[45] **Date of Patent: \*\*Feb. 23, 1999**

[54] **COPIER**

[75] Inventors: **Kenzo Yoshida; Fumikazu Shimanuki; Hidechika Harada**, all of Nara-ken, Japan

[73] Assignee: **Sharp Kabushiki Kaisha**, Osaka, Japan

[\*\*] Term: **14 Years**

[21] Appl. No.: **89,527**

[22] Filed: **Jun. 17, 1998**

### [30] Foreign Application Priority Data

Dec. 17, 1997 [JP] Japan ..... 9-78867

[51] **LOC (6) Cl.** ..... **16-03**

[52] **U.S. Cl.** ..... **D18/36**

[58] **Field of Search** ..... D18/36-39; D14/107, D14/111, 114; 399/1-7, 151; 355/400, 405, 128

### [56] References Cited

#### U.S. PATENT DOCUMENTS

D. 328,609 8/1992 Isida ..... D18/36

- D. 331,595 12/1992 Ishida ..... D18/38
- D. 334,205 3/1993 Ratzlaff ..... D18/39
- D. 339,151 9/1993 Ratzlaff ..... D18/36
- D. 339,152 9/1993 Hirose et al. .... D18/39
- D. 354,076 1/1995 Fukuda et al. .... D18/36
- D. 374,454 10/1996 Naruki et al. .... D18/36

*Primary Examiner*—Caron D. Veynar  
*Attorney, Agent, or Firm*—Nixon & Vanderhye

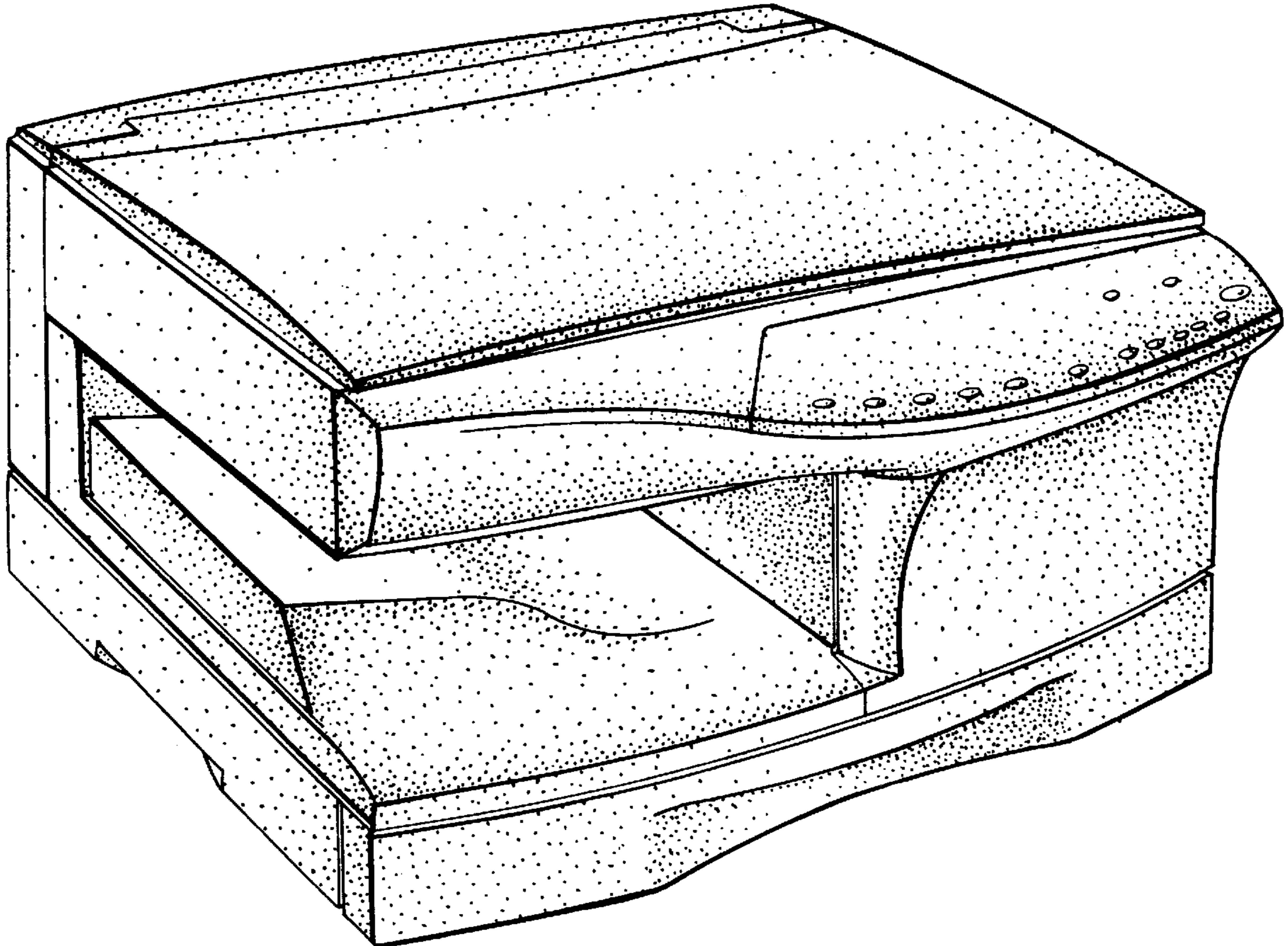
### [57] CLAIM

The ornamental design for a “copier”, as shown and described.

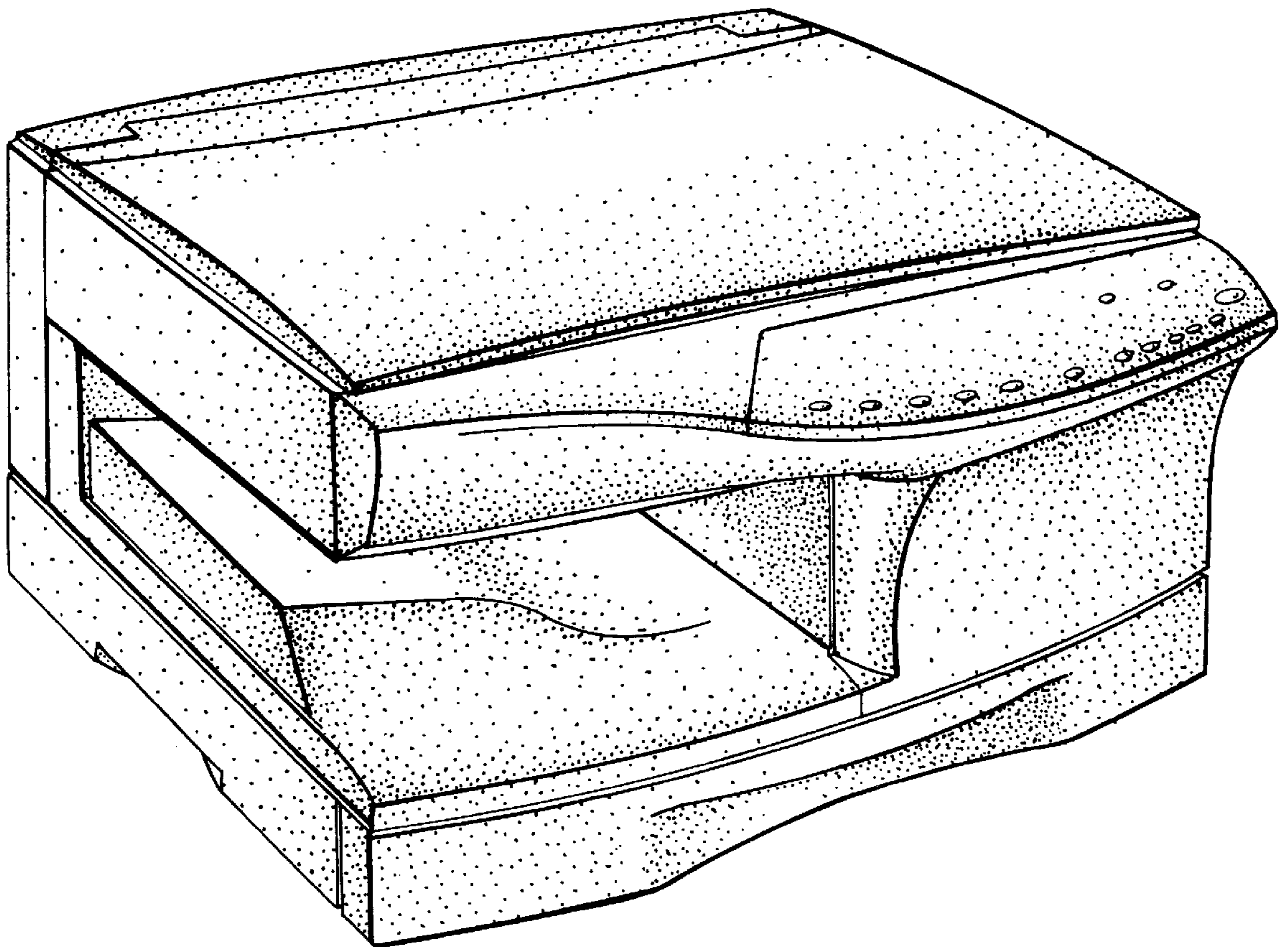
### DESCRIPTION

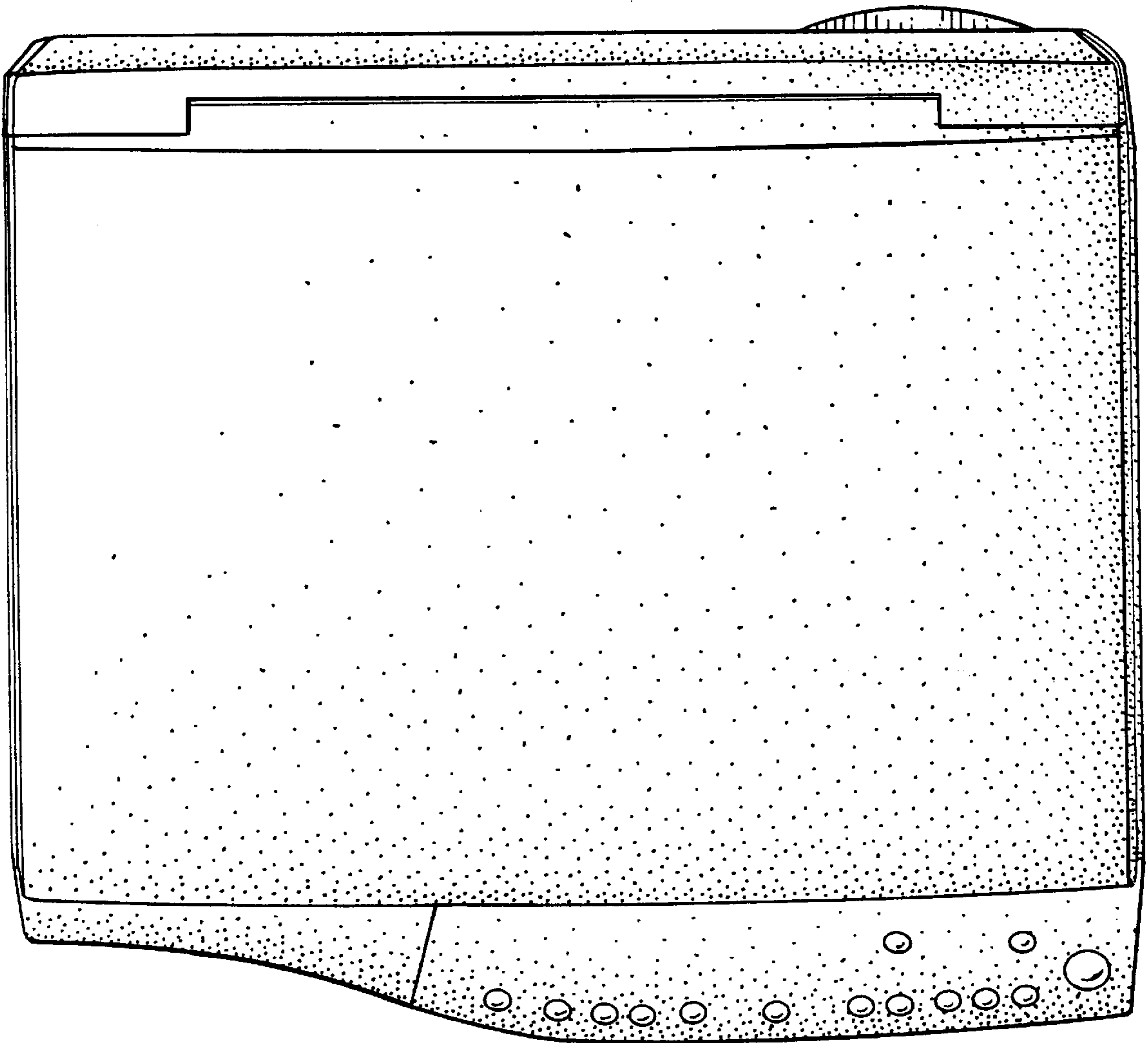
FIG. 1 is a top, left side and front perspective view of a copier according to our design;  
FIG. 2 is a top plan view thereof;  
FIG. 3 is front elevational view thereof;  
FIG. 4 is a rear elevational view thereof;  
FIG. 5 is a right side elevational view thereof;  
FIG. 6 is a left side elevational view thereof; and,  
FIG. 7 is a bottom plan view thereof.

**1 Claim, 5 Drawing Sheets**



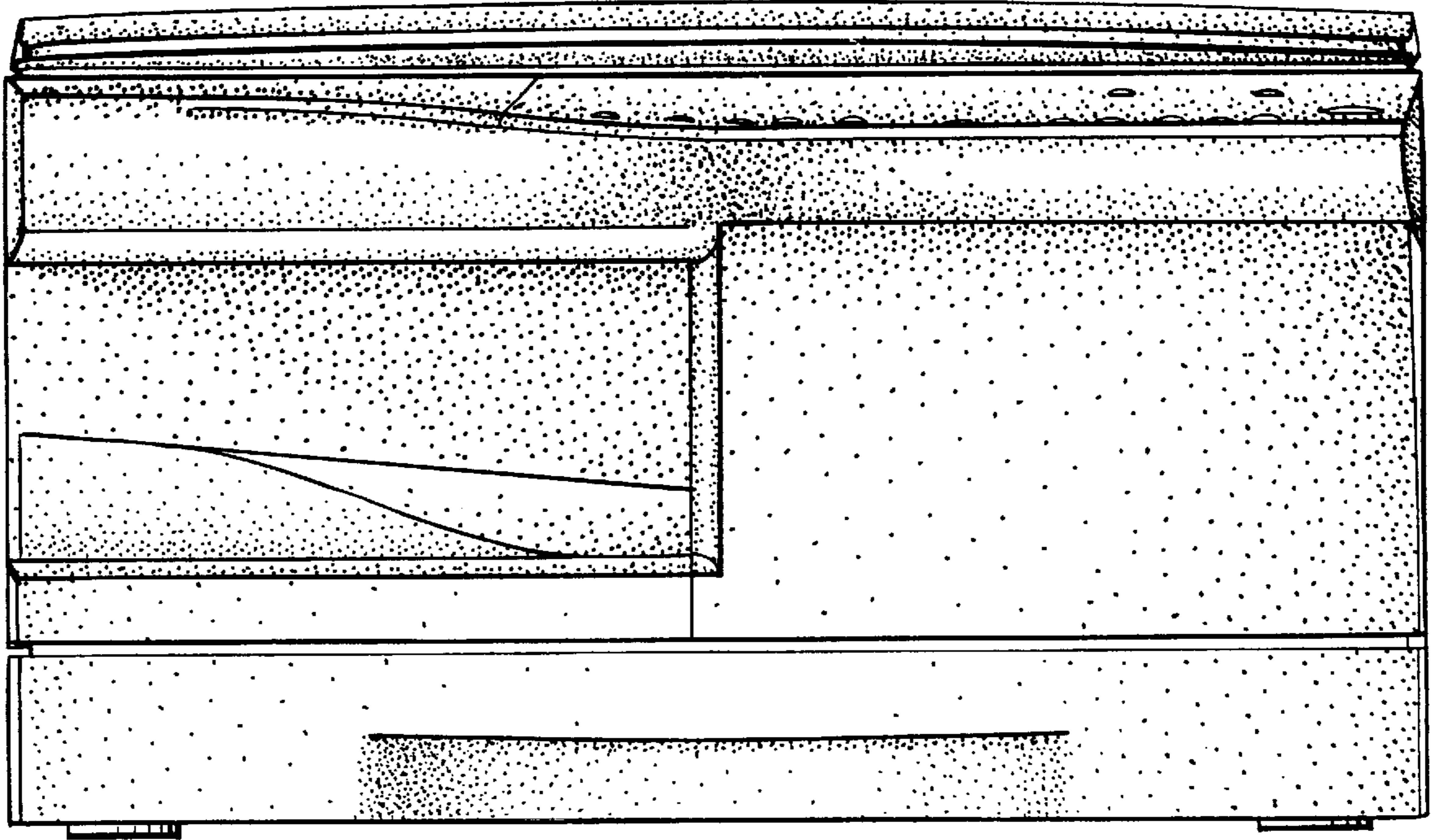
**Fig. 1**



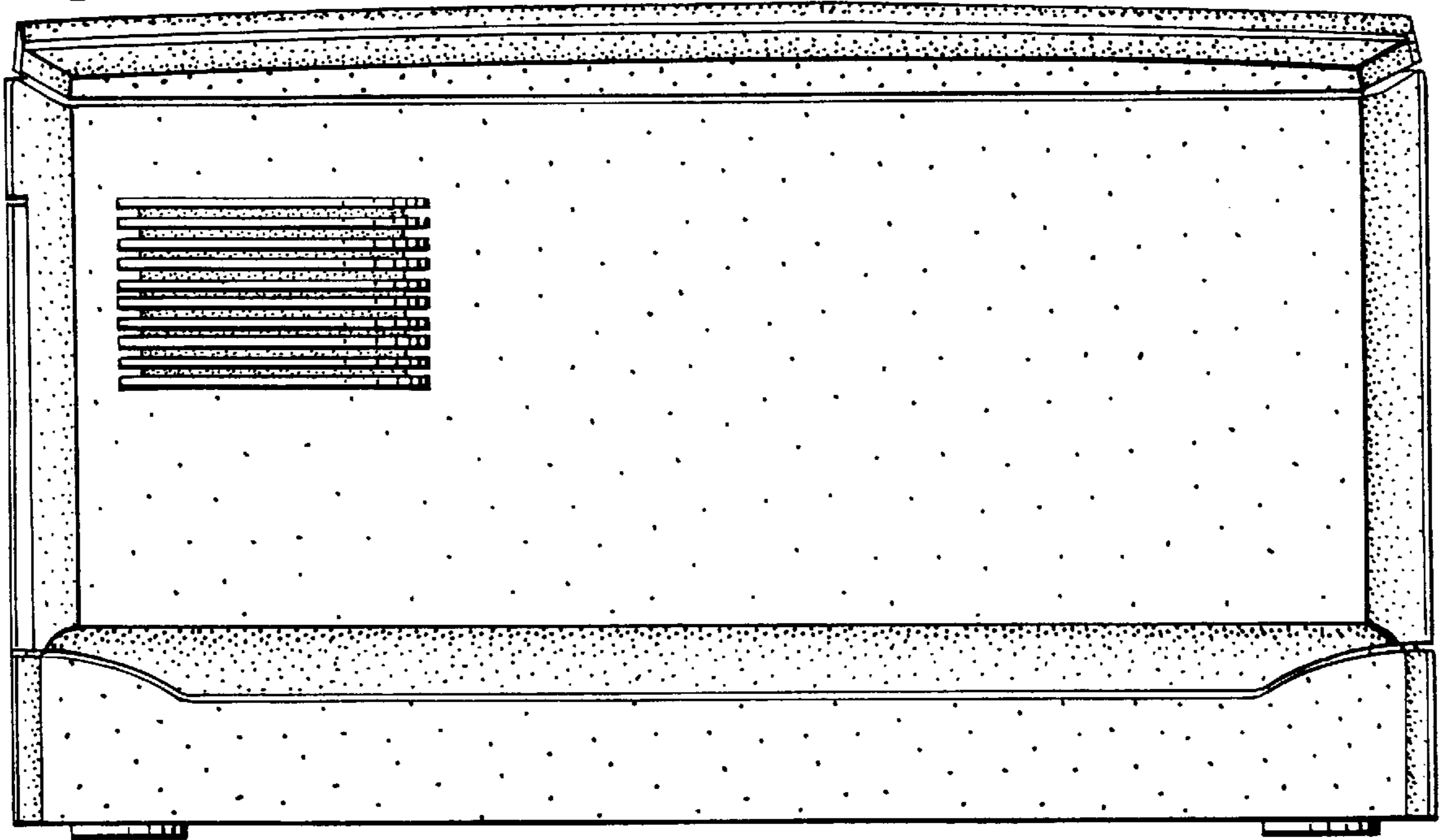


**Fig. 2**

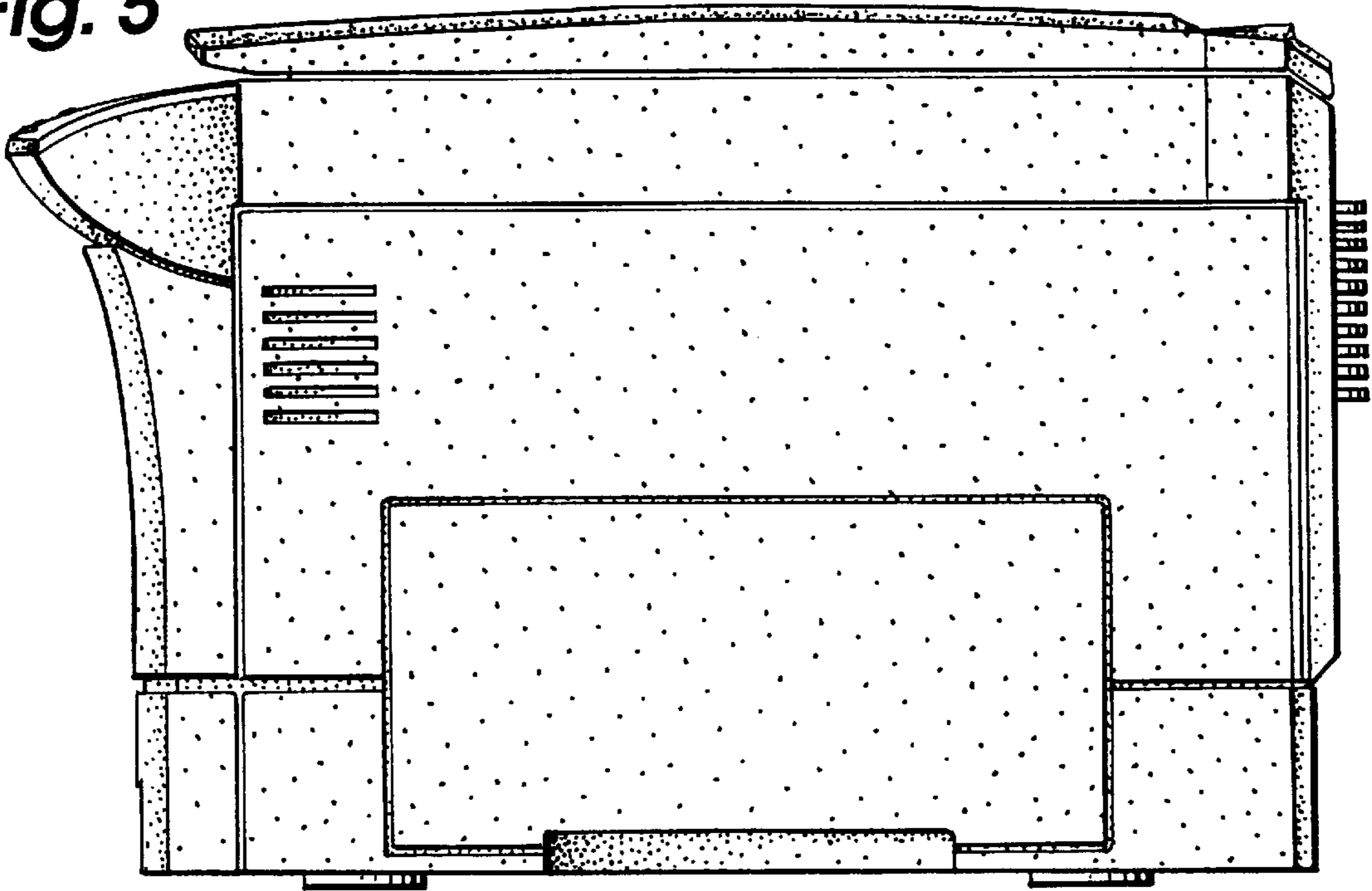
**Fig. 3**



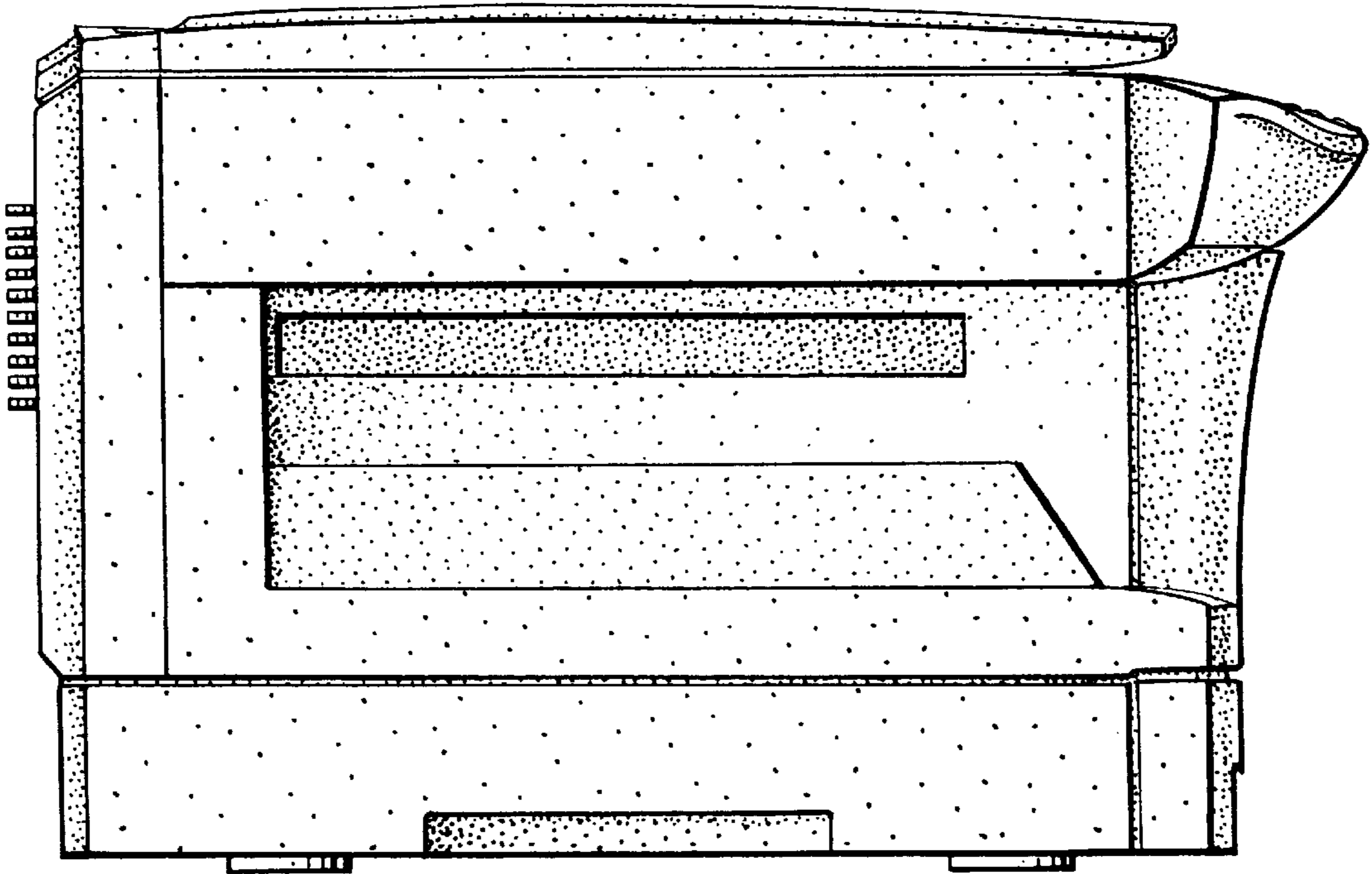
**Fig. 4**

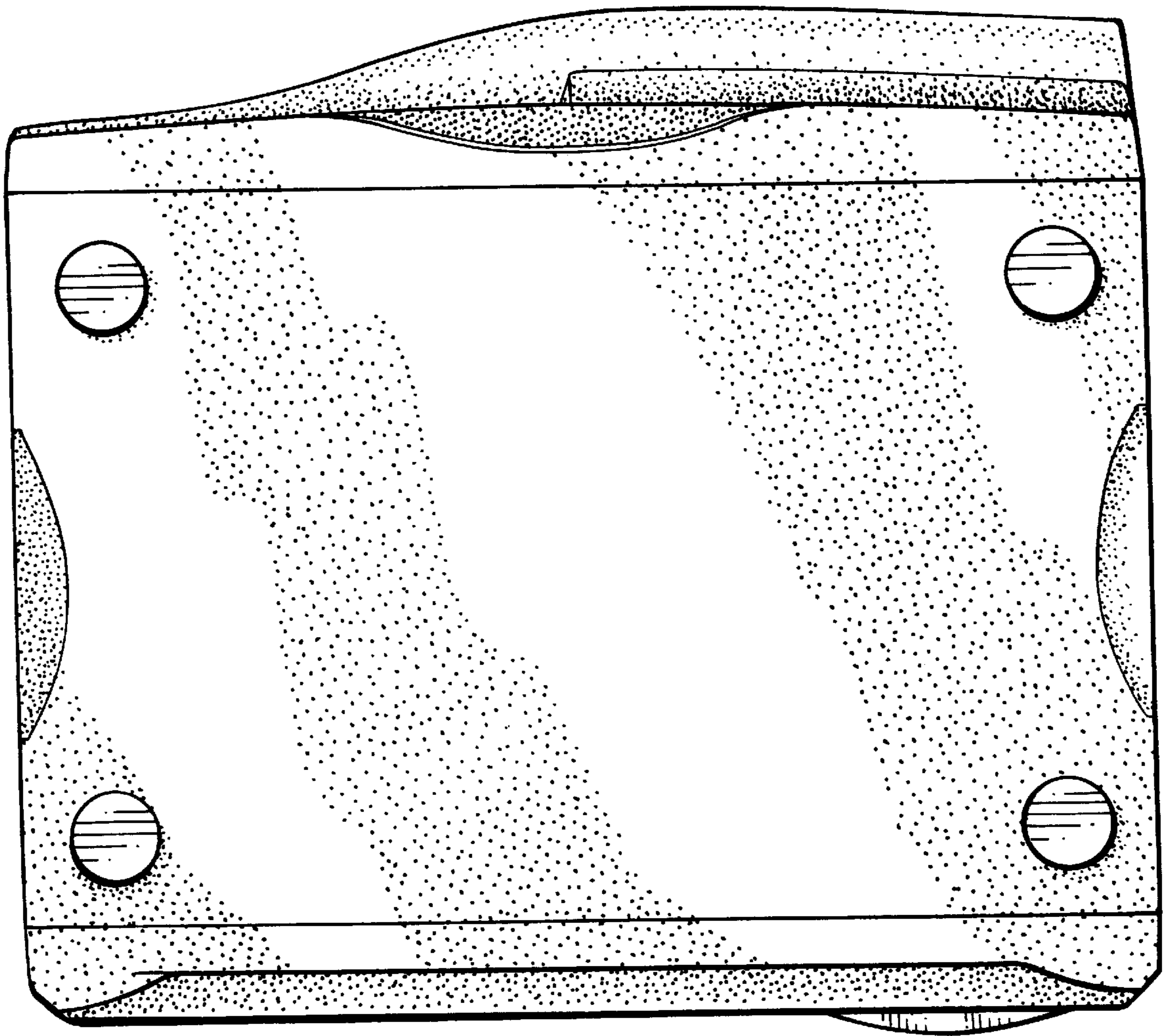


**Fig. 5**



**Fig. 6**





**Fig. 7**