



US00D406152S

United States Patent [19]

Miyaoka et al.

[11] **Patent Number: Des. 406,152**

[45] **Date of Patent: **Feb. 23, 1999**

[54] **EXCAVATOR**

[75] Inventors: **Satoshi Miyaoka**, Hiroshima; **Katsuji Yano**, Tokyo, both of Japan

[73] Assignee: **Kabushiki Kaisha Kobe Seiko Sho**, Kobe, Japan

[**] Term: **14 Years**

[21] Appl. No.: **79,493**

[22] Filed: **Nov. 17, 1997**

[30] **Foreign Application Priority Data**

May 15, 1997 [JP] Japan 9-54557

[51] **LOC (6) Cl.** **15-04**

[52] **U.S. Cl.** **D15/25; D15/24**

[58] **Field of Search** D15/10, 22-26; 414/694, 698, 699, 722; 180/89.1, 89.12

[56] **References Cited**

U.S. PATENT DOCUMENTS

D. 273,384 4/1984 Nasu et al. D15/24

D. 354,497 1/1995 Kusunoki et al. D15/25
D. 391,272 2/1998 Jin et al. D15/24
4,776,750 10/1988 Griswold, Jr. et al. 414/698
5,172,498 12/1992 Wack D15/32

Primary Examiner—Sandra L. Morris
Attorney, Agent, or Firm—Oblon, Spivak, McClelland, Maier & Neustadt, P.C.

[57] **CLAIM**

The ornamental design for an excavator, as shown.

DESCRIPTION

FIG. 1 is a front elevational view of excavator bodying our new design;

FIG. 2 is a rear elevational view thereof;

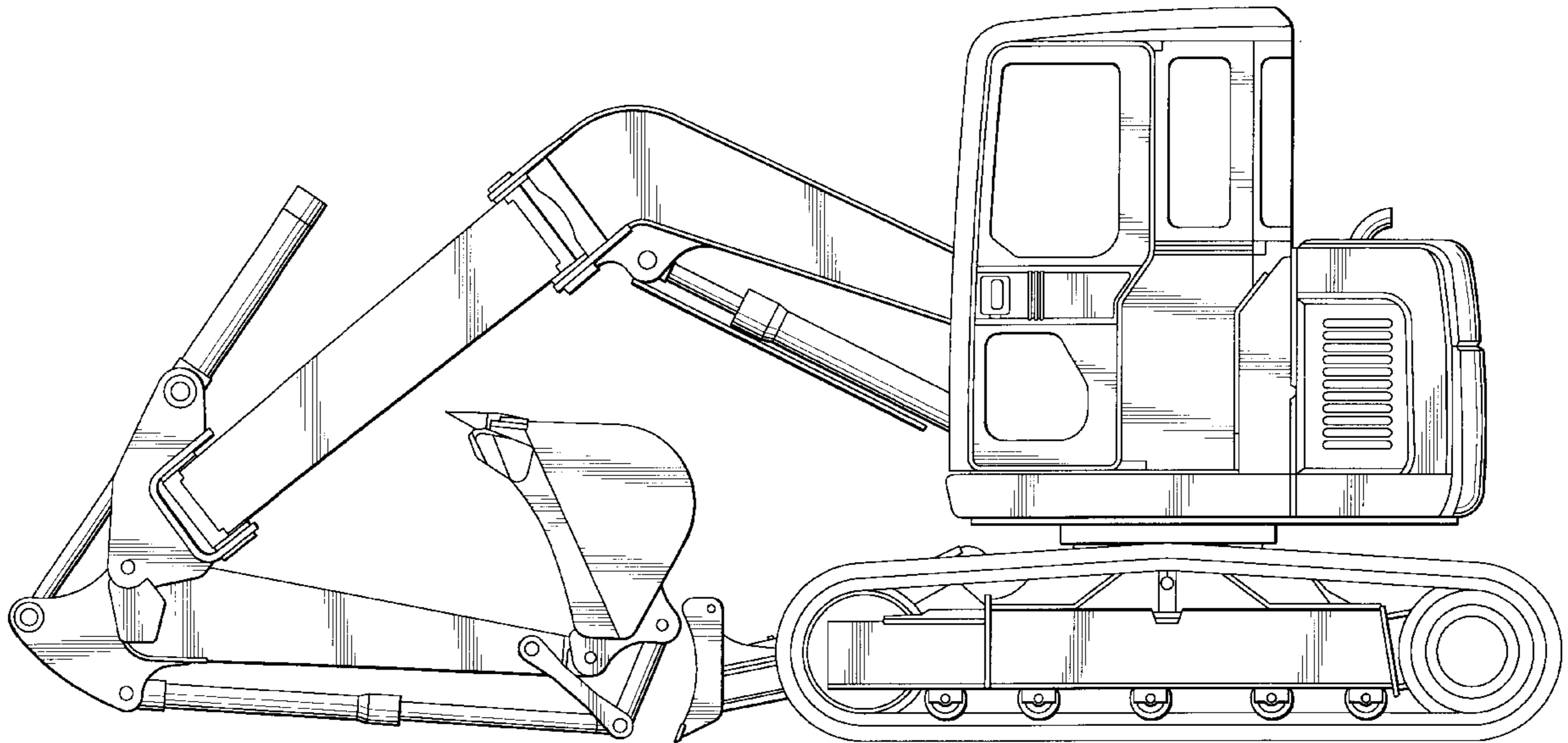
FIG. 3 is a top plan view thereof;

FIG. 4 is a bottom view thereof;

FIG. 5 is a left side elevational view thereof; and,

FIG. 6 is a right side elevational view thereof.

1 Claim, 6 Drawing Sheets



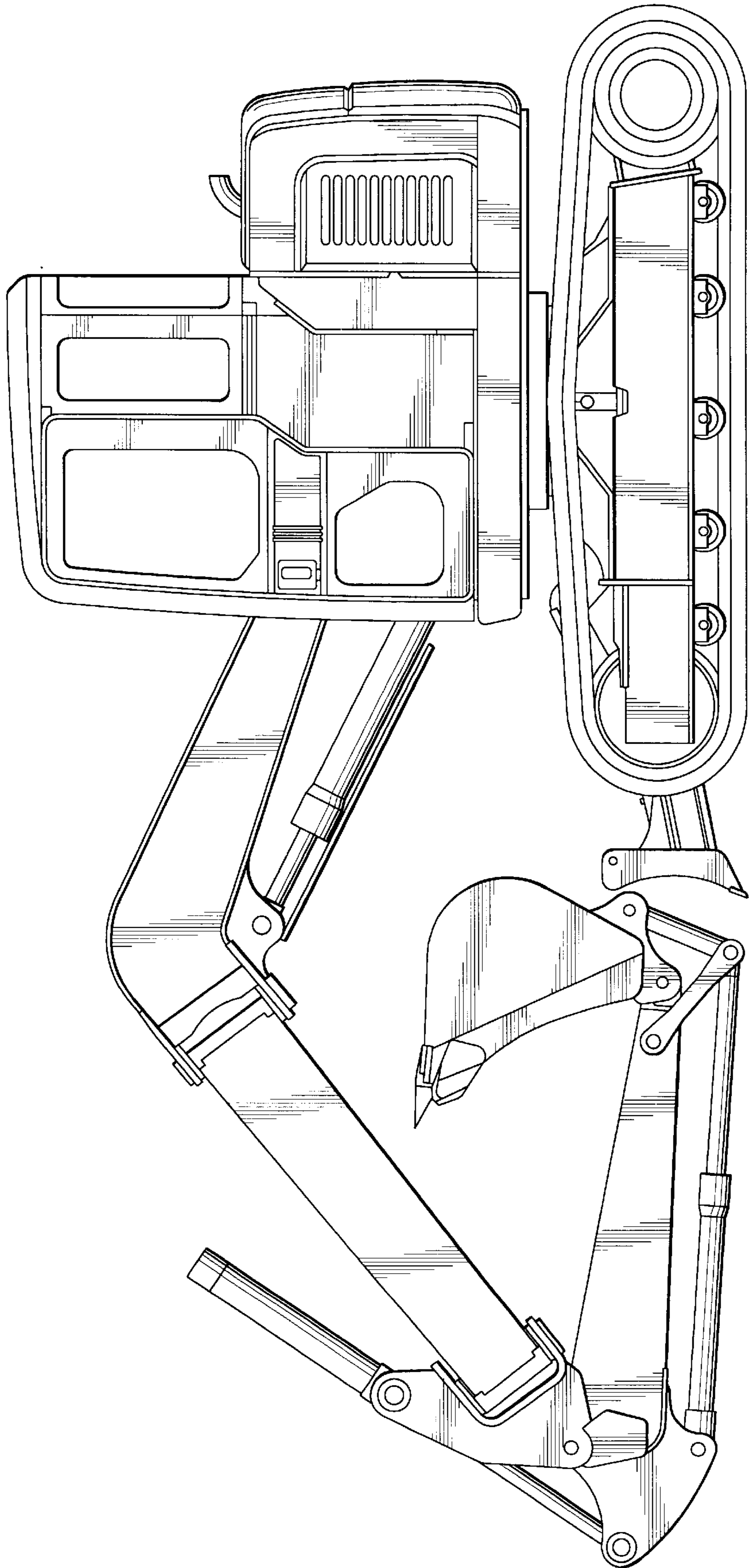


FIG. 1

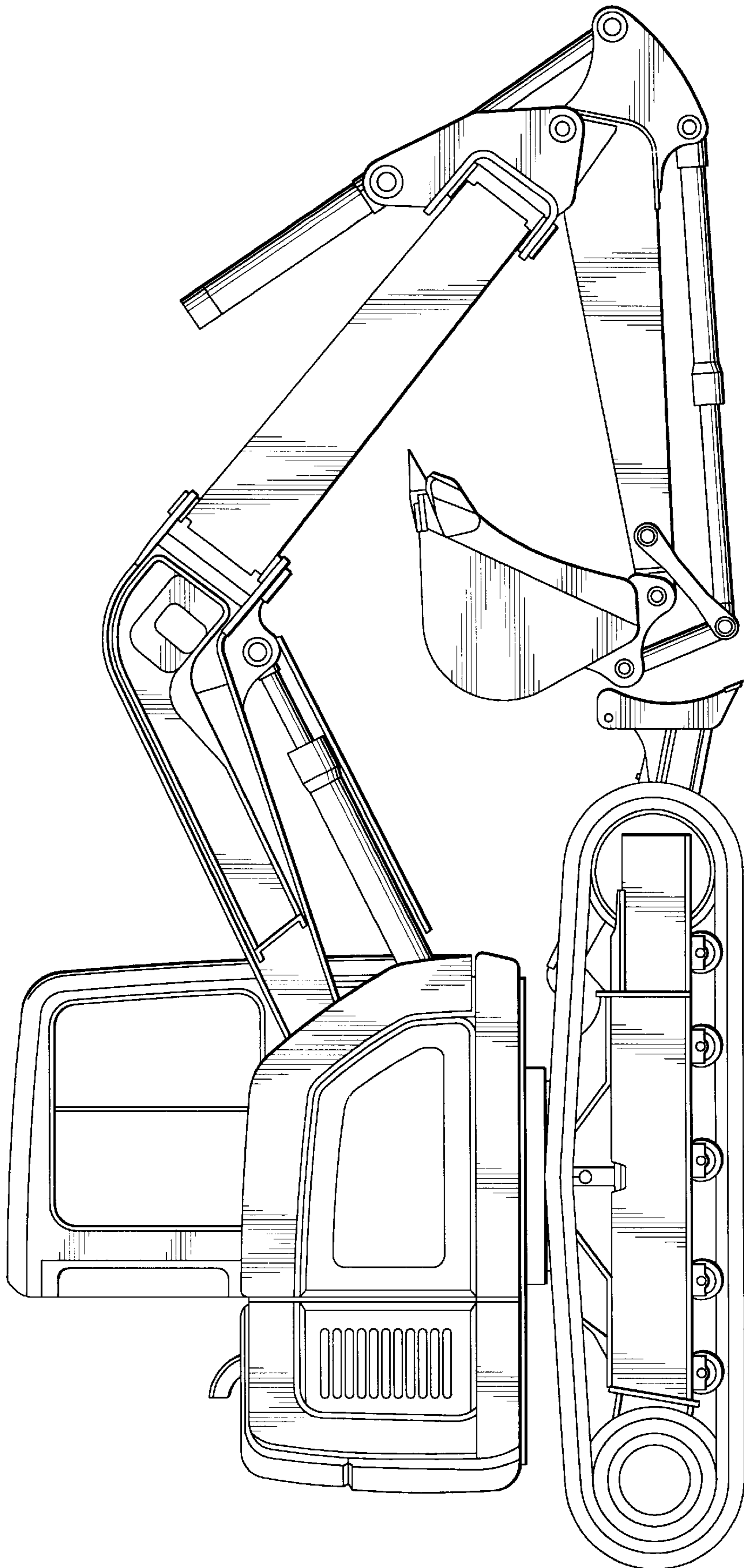


FIG. 2

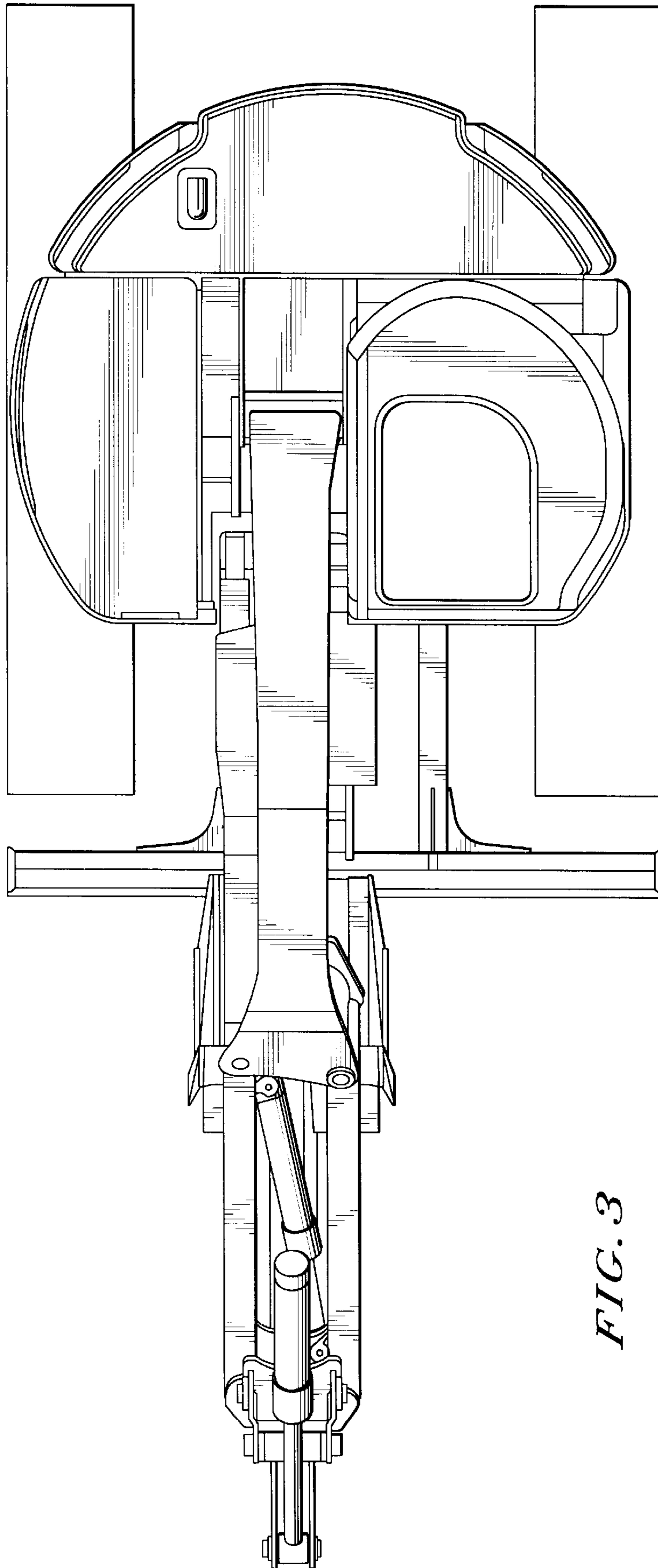


FIG. 3

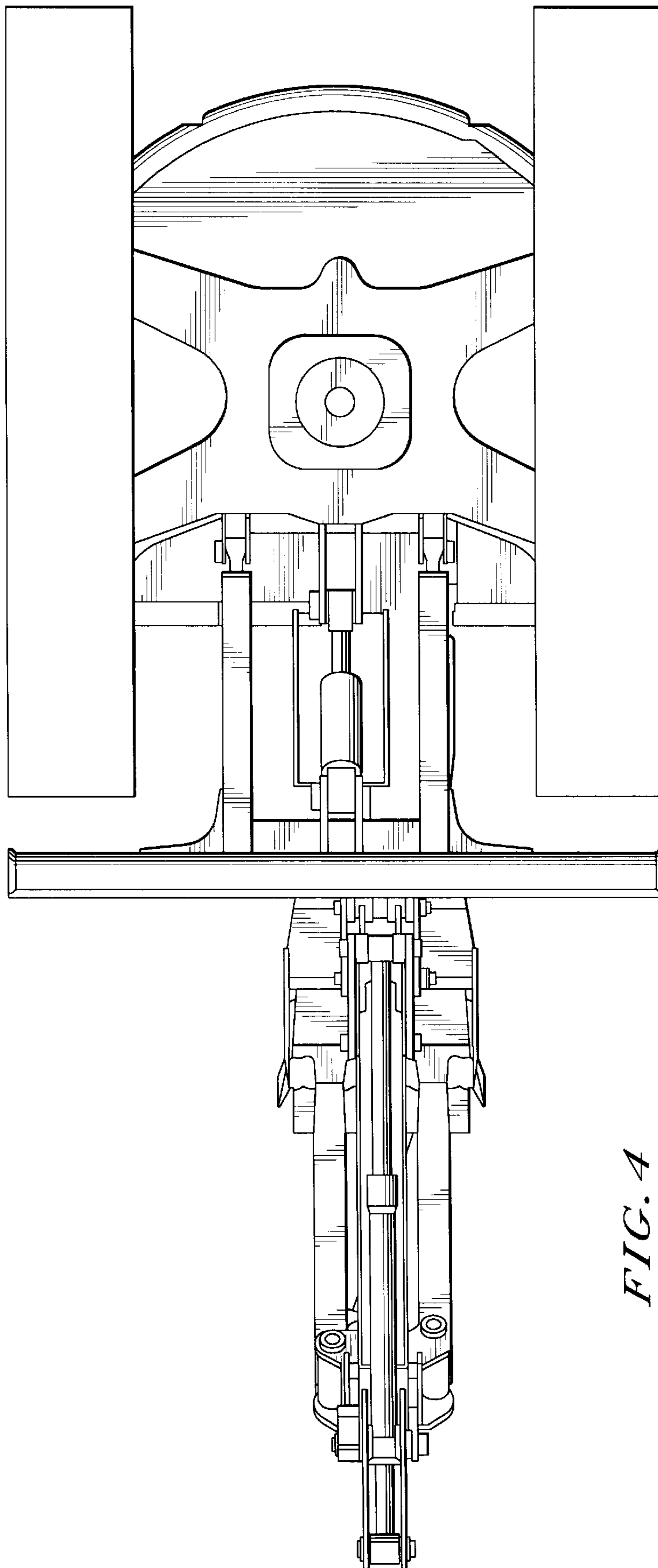


FIG. 4

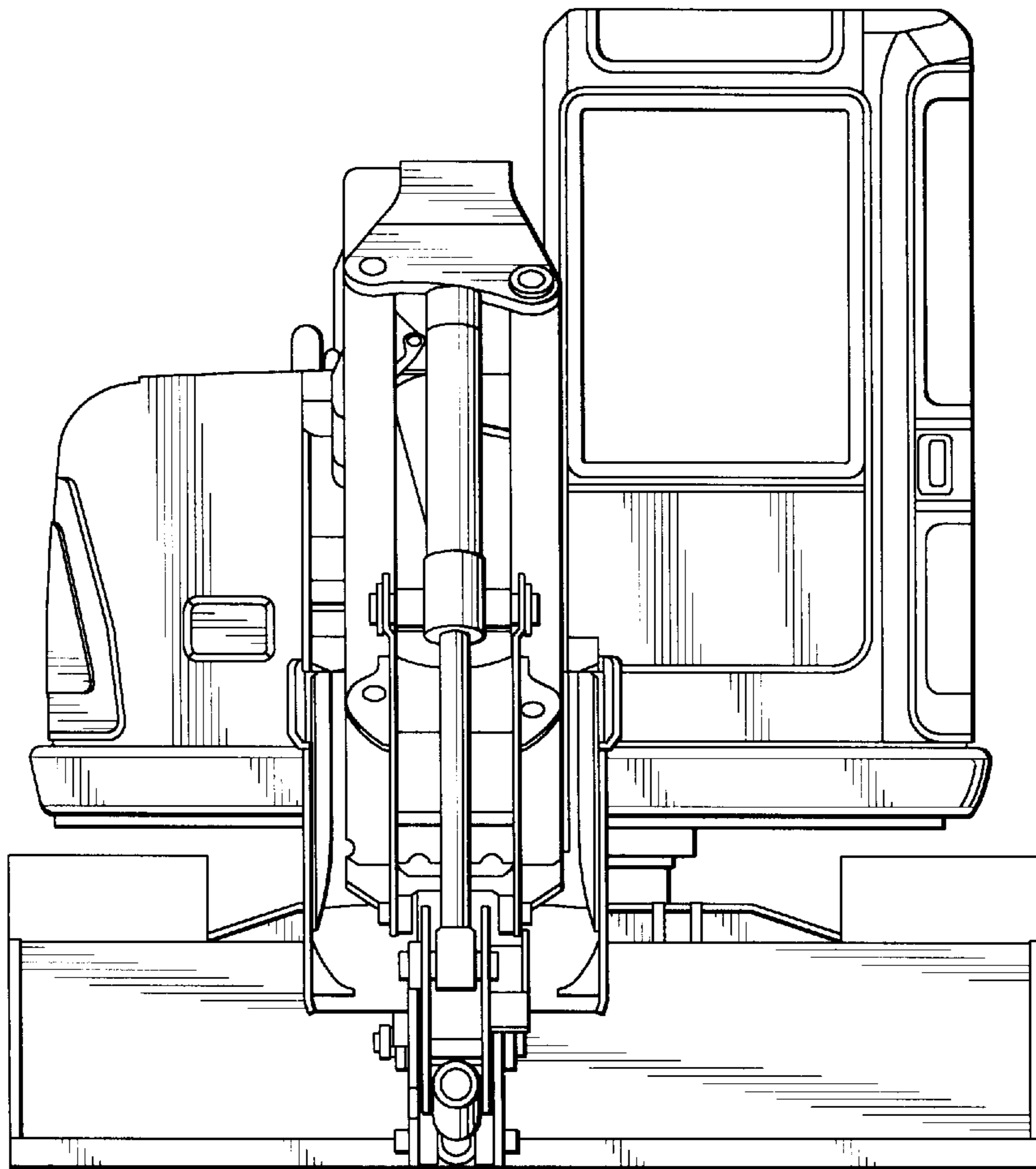


FIG. 5

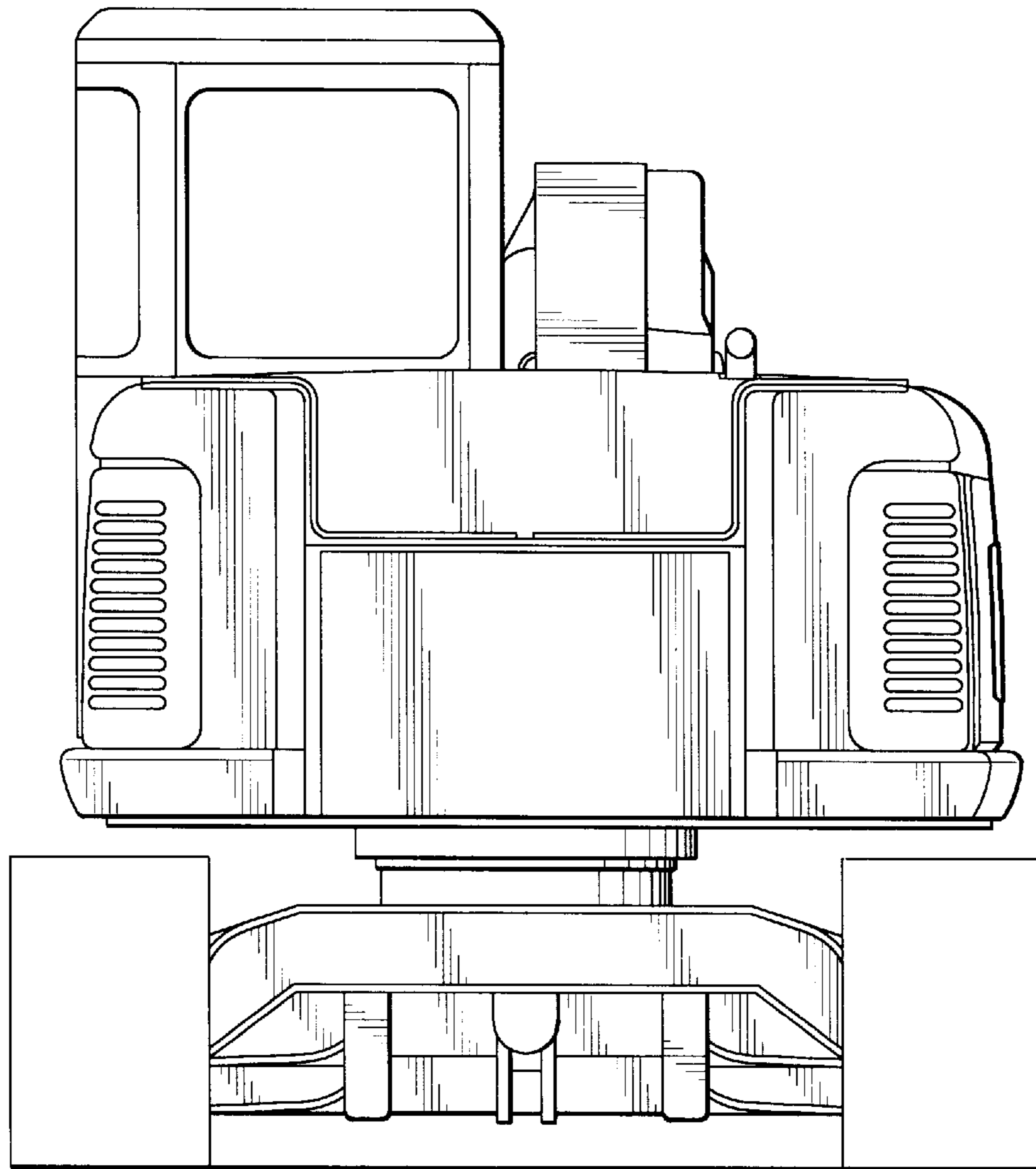


FIG. 6