



US00D406151S

United States Patent [19]
Cunningham et al.

[11] **Patent Number: Des. 406,151**

[45] **Date of Patent: **Feb. 23, 1999**

[54] **COMPACT LOADER BACKHOE**

[75] Inventors: **John Paul Cunningham**, Hurricane;
Robert K. Cunningham, Dunbar;
Larry L. Redman, Cross Lanes; **Jay Phillips**, Bancroft, all of W. Va.

[73] Assignee: **The Terramite Corporation**, Cross Lanes, W. Va.

[**] Term: **14 Years**

[21] Appl. No.: **66,040**

[22] Filed: **Feb. 3, 1997**

[51] **LOC (6) Cl.** **15-04**

[52] **U.S. Cl.** **D15/25**

[58] **Field of Search** D15/10, 22-26;
37/435, 442, 443; 414/685; 180/89.1, 89.12

[56] **References Cited**

U.S. PATENT DOCUMENTS

4,182,456	1/1980	Paul	414/685
4,950,127	8/1990	Weyer	414/694
4,952,116	8/1990	Weyer	414/694
5,479,729	1/1996	Eslambolchi	414/694
5,606,809	3/1997	Allen	D15/25

OTHER PUBLICATIONS

RER Magazine, advertising excerpts, Jan. 1997 issue, including print advertisements for Terramite, Predator, Dig-It, and Mandig.

Terramite T5C brochure, excerpts containing depictions of T5C tractor loader backhoe, published long before 1996.

RER Magazine, advertising excerpt, Jan. 1996 issue, print advertisement for Dig-It.

Grounds Maintenance, advertising excerpt, May 1996 issue, print advertisement for Dig-It.

Allmand Bros. "Contractor" brochure, circa 1996, excerpts containing depictions of Contractor tractor loader backhoe.

Primary Examiner—Sandra L. Morris
Attorney, Agent, or Firm—Cahn & Samuels, LLP

[57] **CLAIM**

The ornamental design for a compact loader backhoe, as shown and described.

DESCRIPTION

FIG. 1 is a left side elevational view of a compact loader backhoe, showing our new design, with both buckets in the raised position;

FIG. 2 is an enlarged front elevational view thereof, with the frontloader bucket in a raised position;

FIG. 3 is a left side elevational view thereof, with both buckets in a resting position;

FIG. 4 is a partial rear perspective view thereof, with the backhoe bucket in a raised position;

FIG. 5 is an enlarged right side perspective view thereof, shown broken away to better show the engine and main tractor body;

FIG. 6 is an enlarged rear elevational view thereof, shown broken away to better show the backhoe bucket boom and stabilizers of the rear portion of the design;

FIG. 7 is left side perspective view thereof, shown broken away to better show the operator seat and compartment of the tractor;

FIG. 8 is a front left side perspective view thereof, shown broken away to better show the operator seat, compartment, and controls; and,

FIG. 9 is a perspective view thereof, shown broken away to better show the operator control panel and steering wheel of the claimed design.

1 Claim, 4 Drawing Sheets

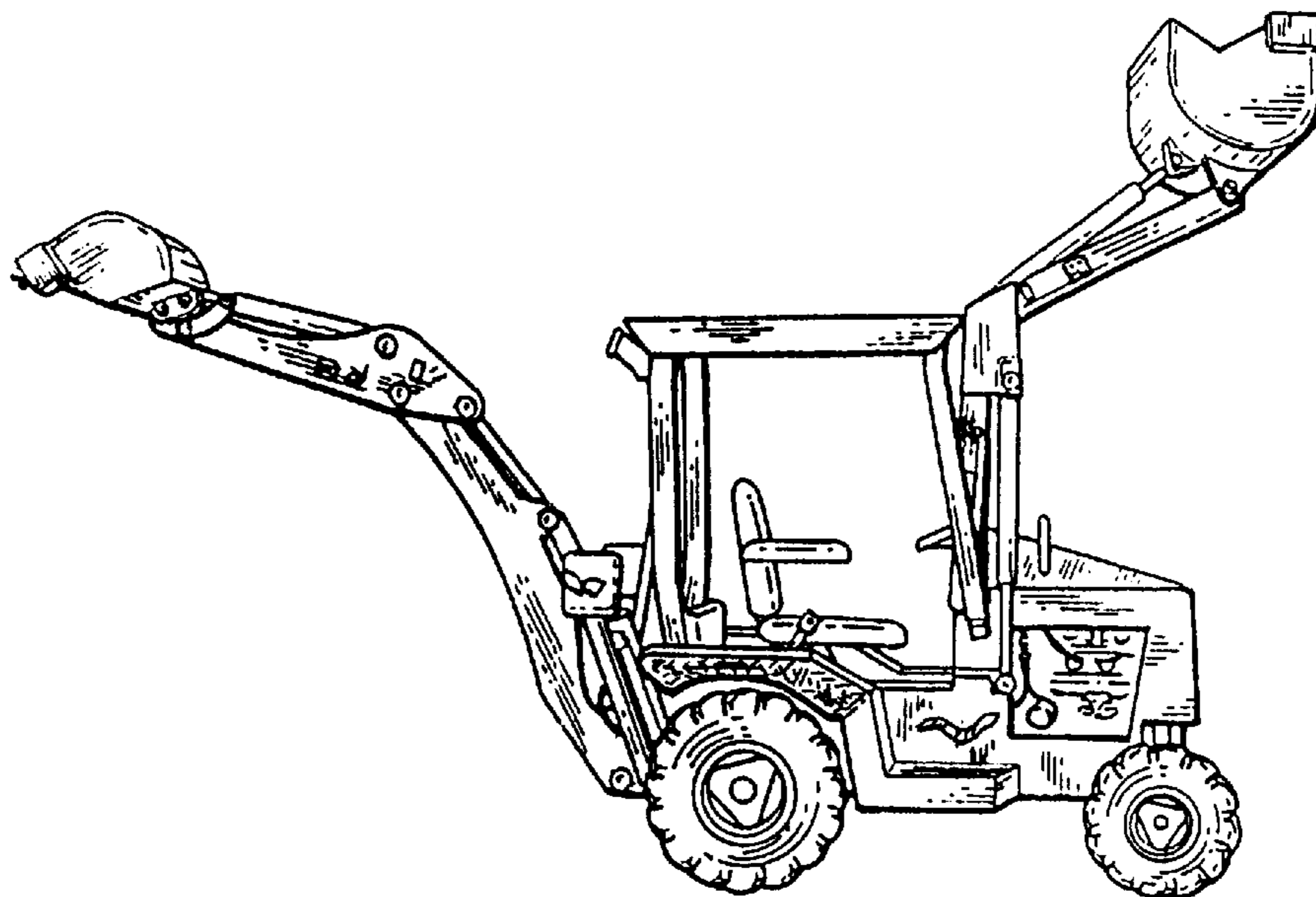


FIG. 2

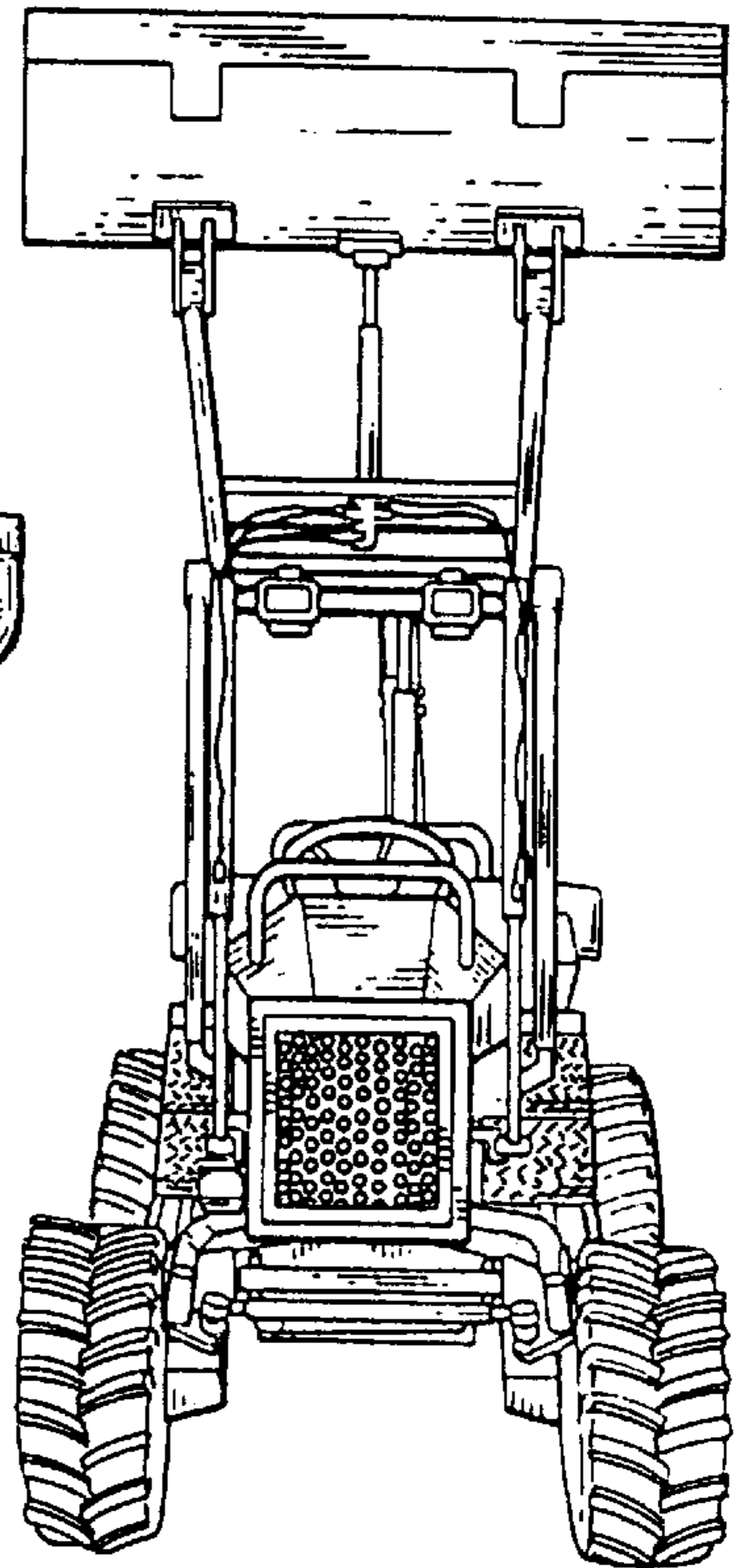


FIG. 1

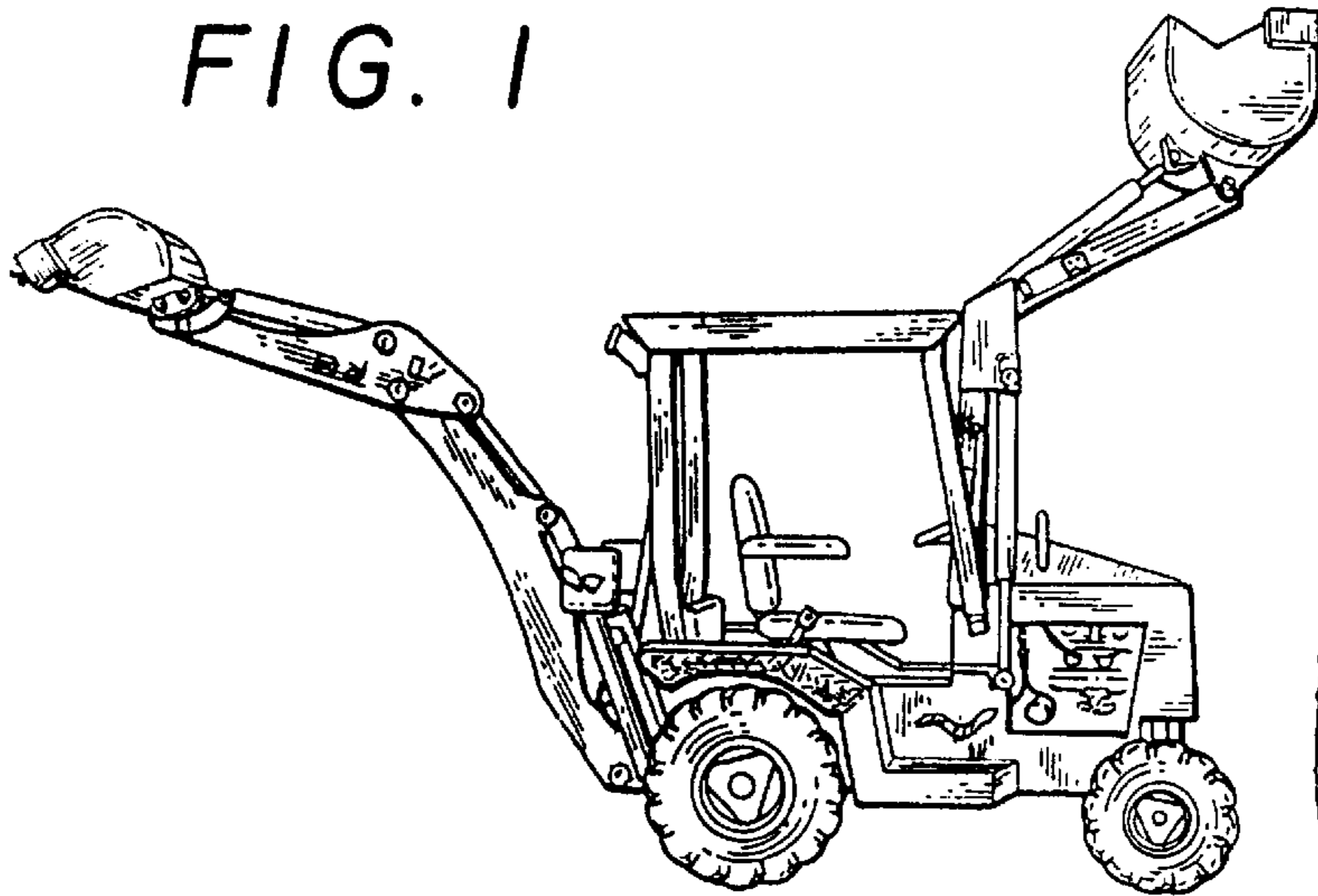


FIG. 4

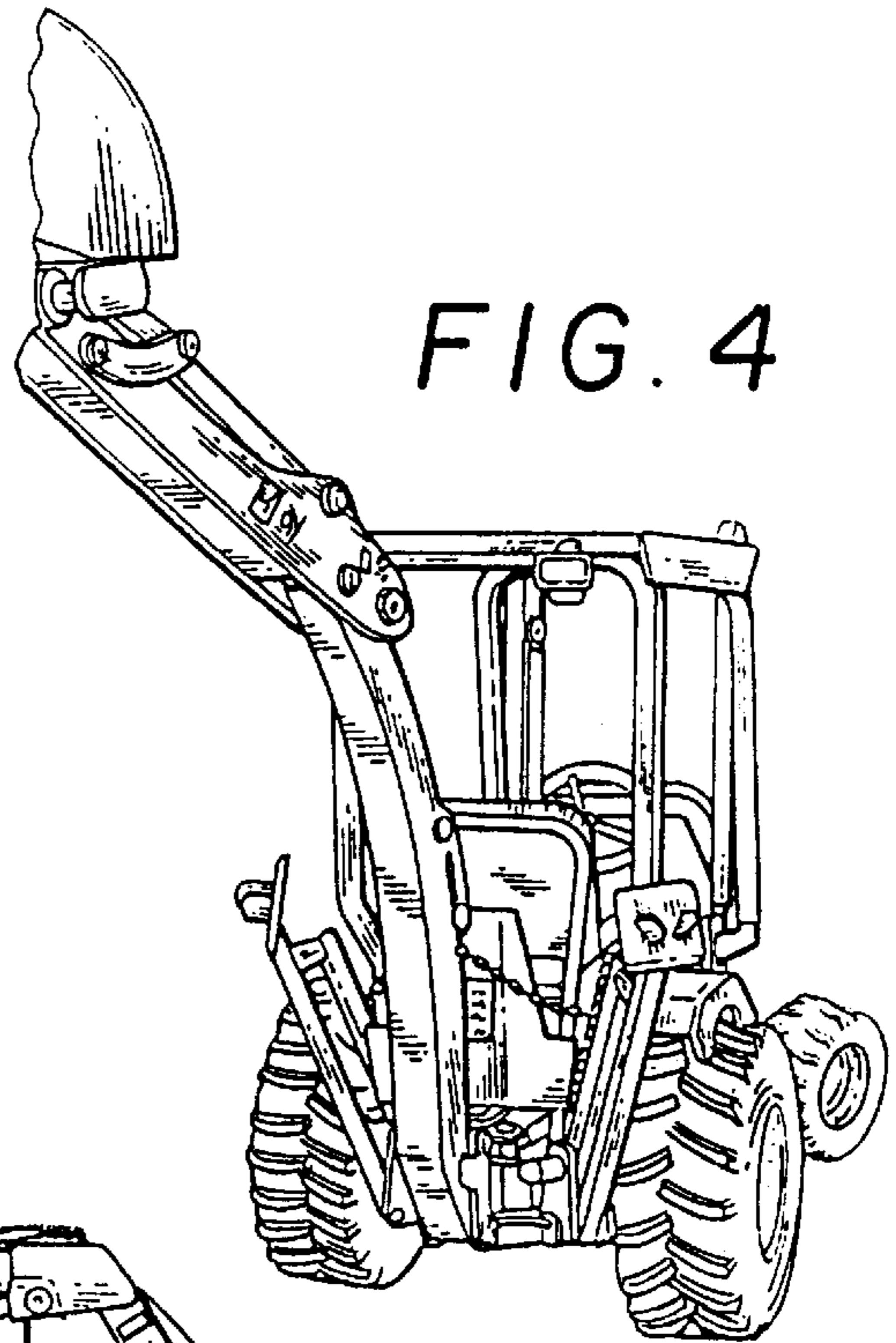
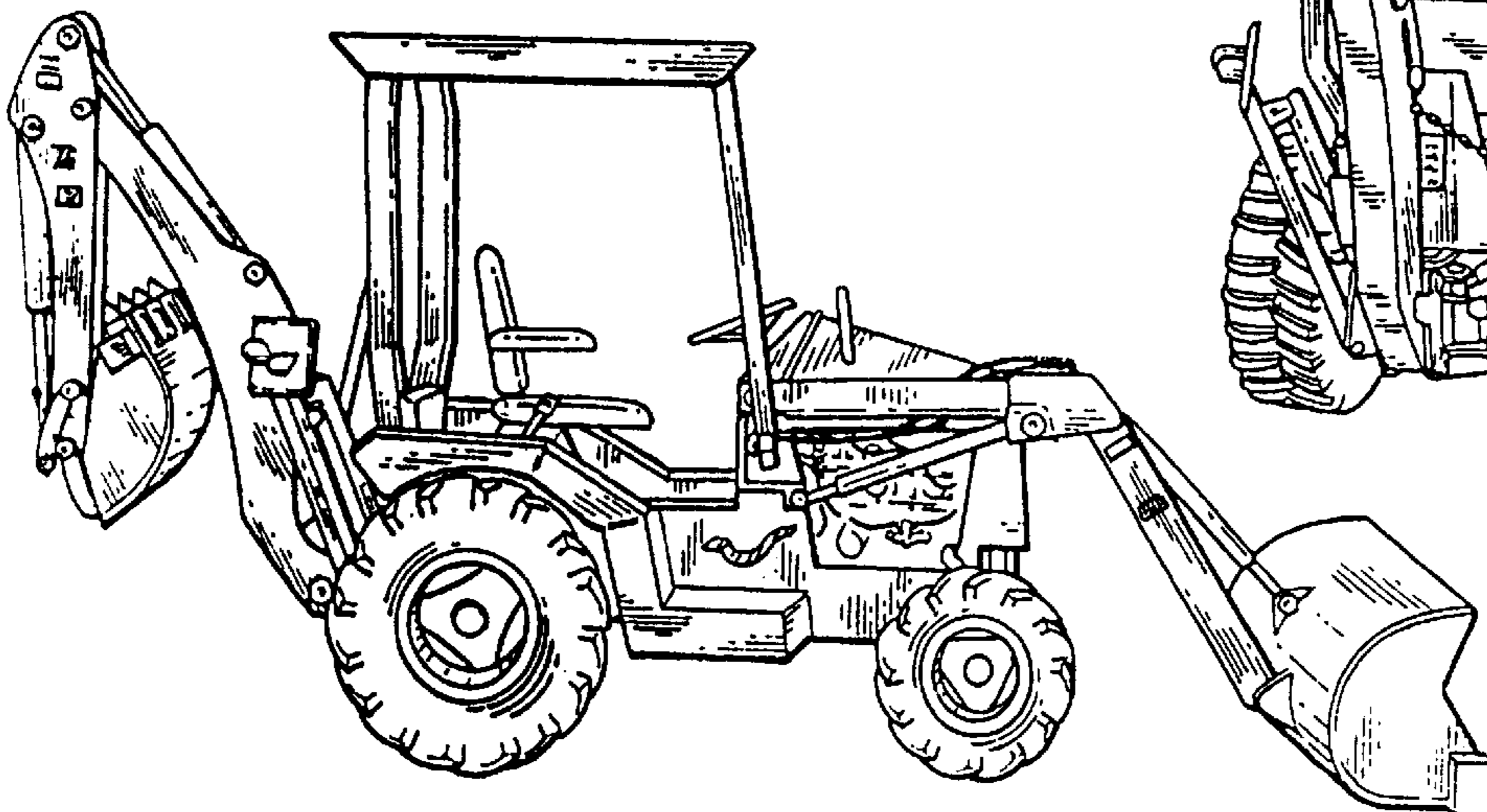


FIG. 3



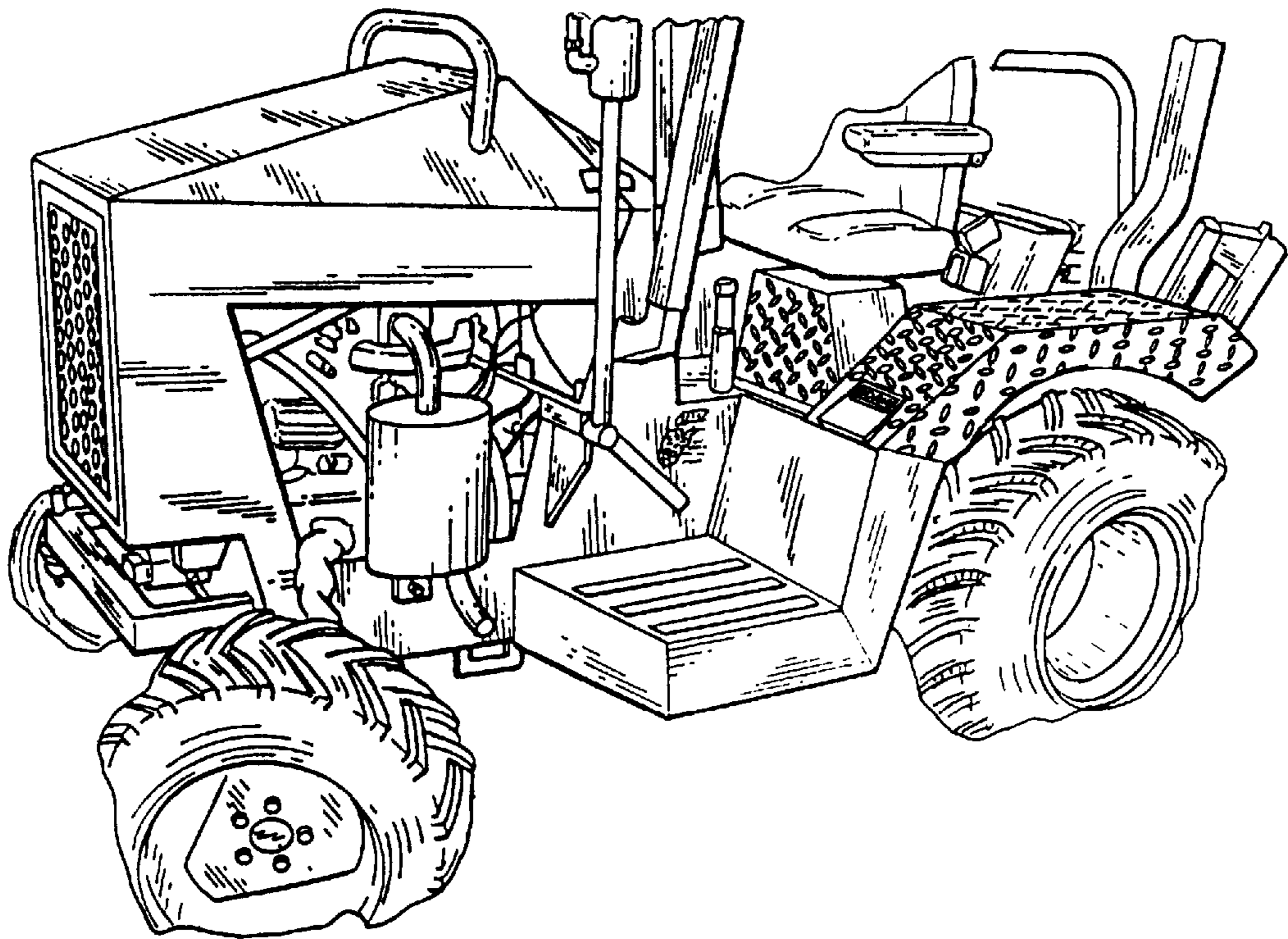


FIG. 5

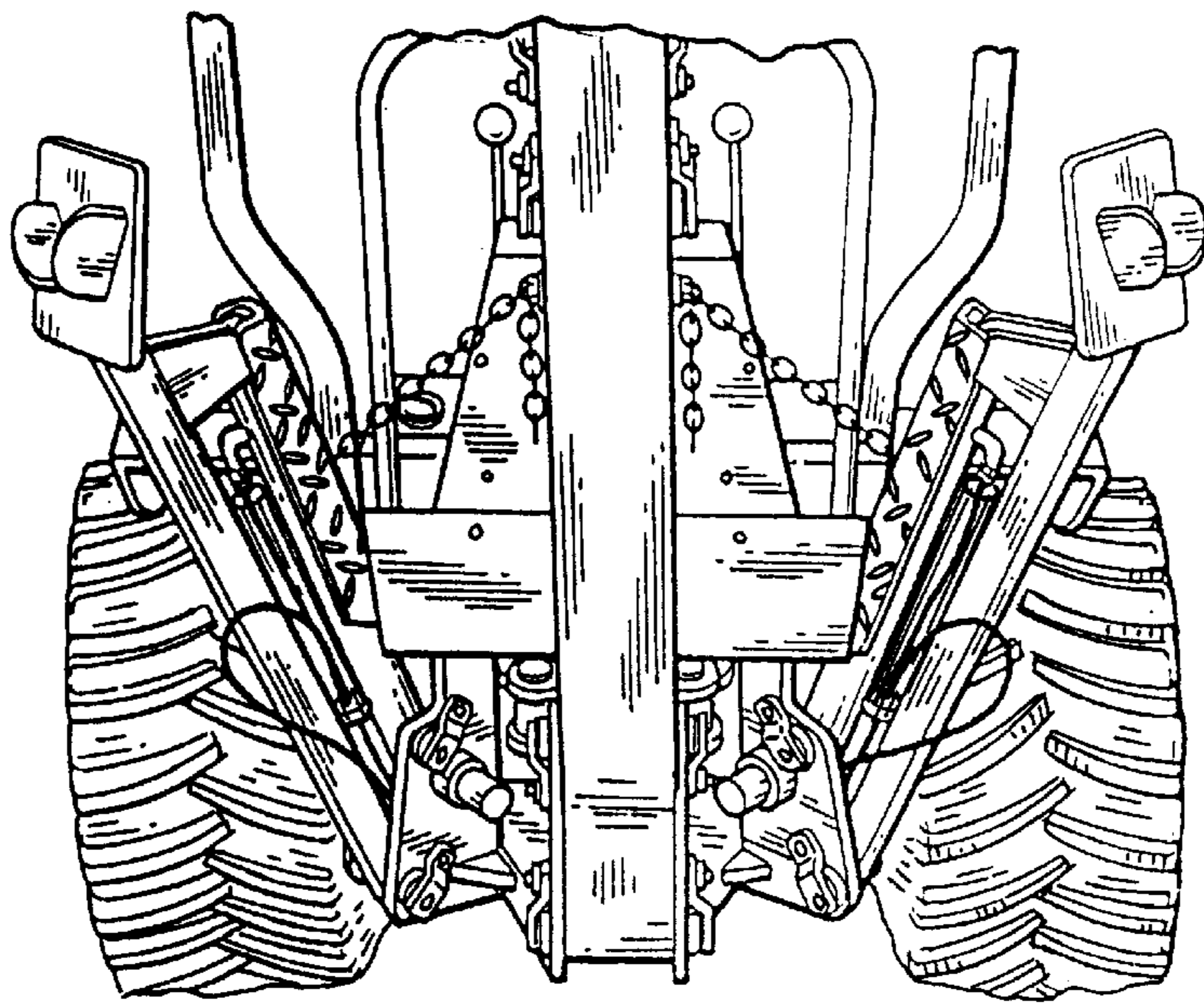


FIG. 6

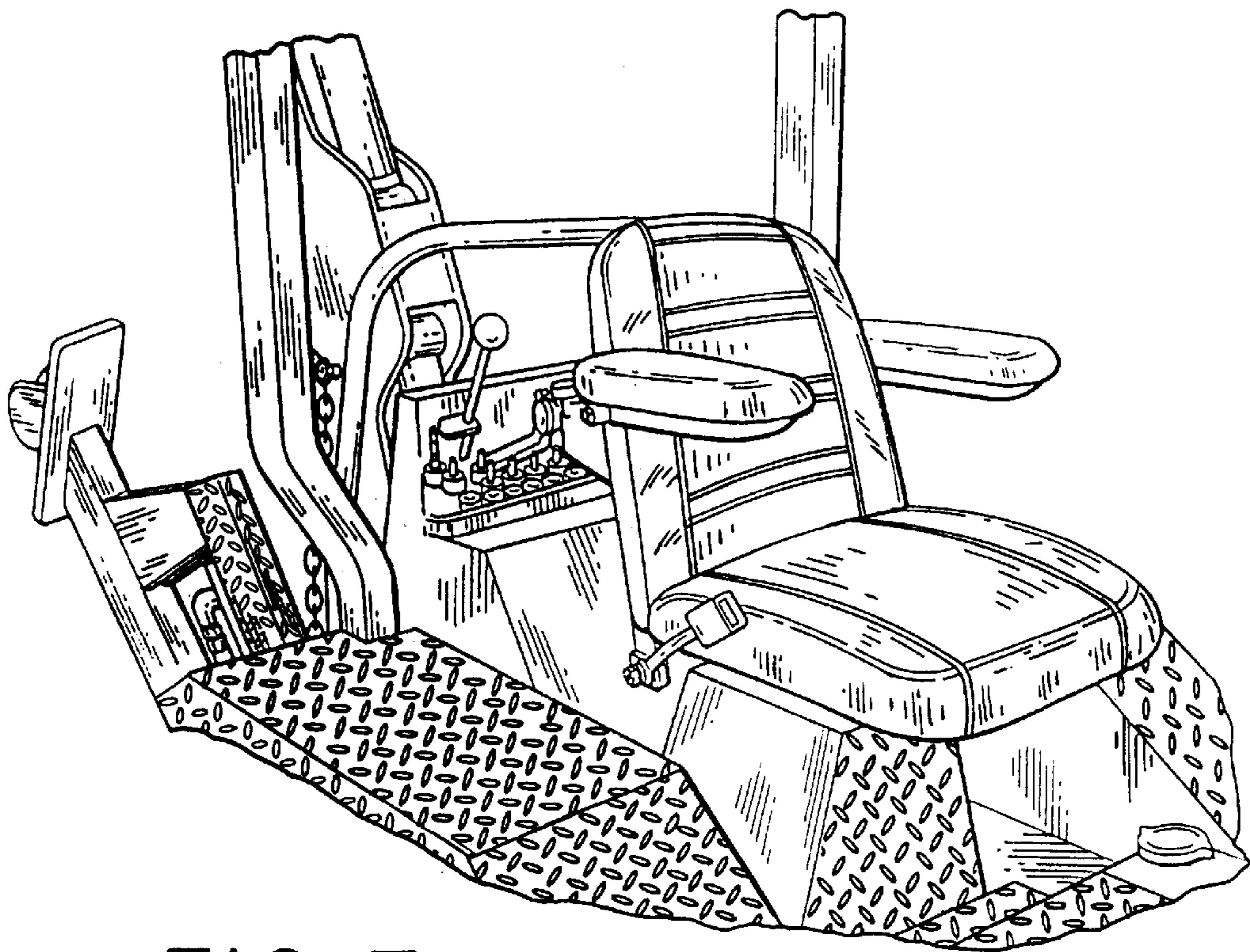


FIG. 7

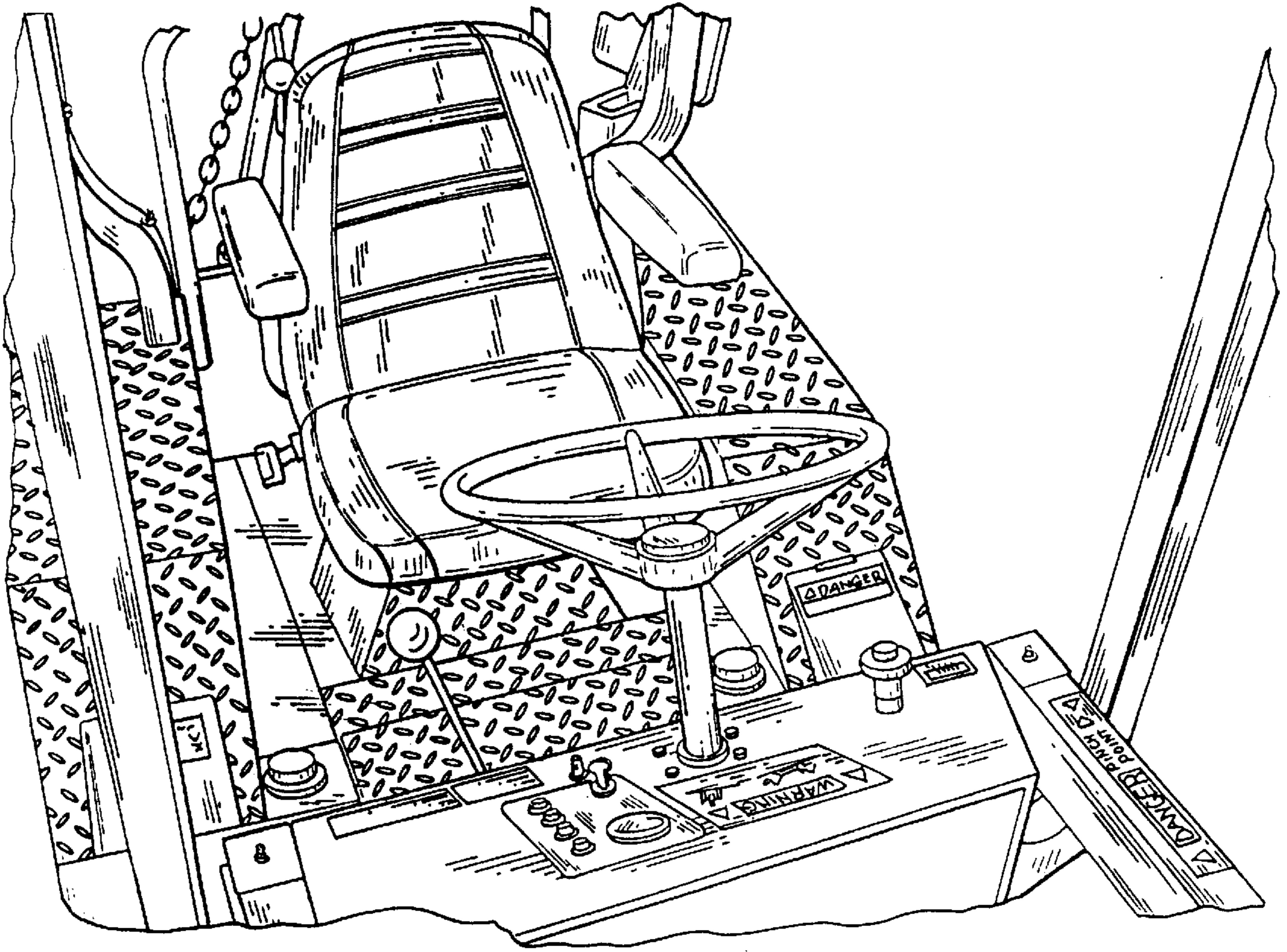


FIG. 8

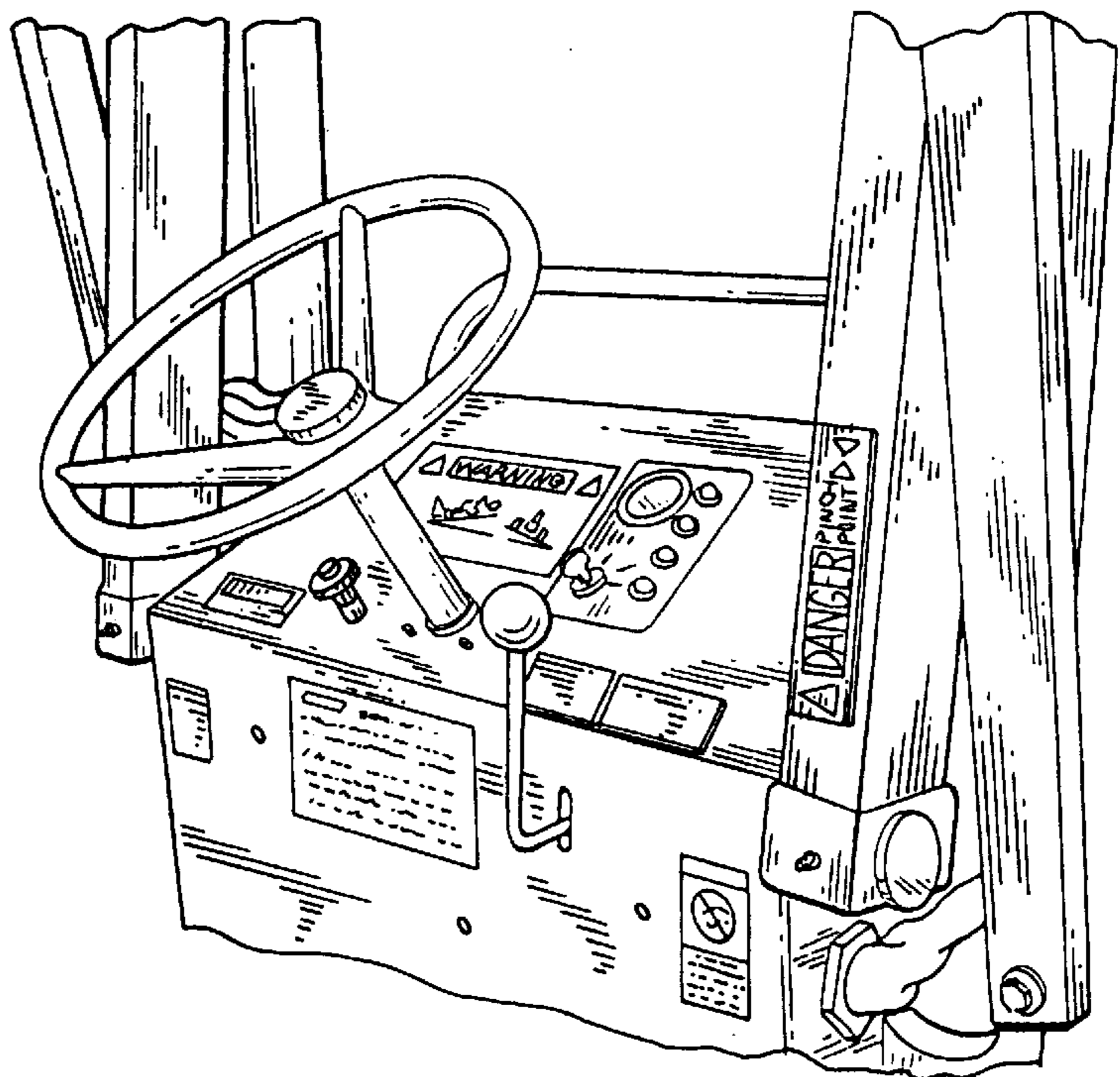


FIG. 9