

US00D406150S

United States Patent [19] Wang

[11] **Patent Number: Des. 406,150**

[45] **Date of Patent: **Feb. 23, 1999**

[54] **AIR COMPRESSOR**

[75] Inventor: **Min-Hsieng Wang**, Tainan Hsien,
Taiwan

[73] Assignee: **Coido Corporation**, Tainan Hsien,
Taiwan

[**] Term: **14 Years**

[21] Appl. No.: **82,099**

[22] Filed: **Jan. 14, 1998**

[51] **LOC (6) Cl.** **15-02**

[52] **U.S. Cl.** **D15/9**

[58] **Field of Search** D15/7-9; D26/38;
417/415, 234, 235, 410-411; D24/8; 410/411

[56] **References Cited**

U.S. PATENT DOCUMENTS

- D. 270,733 9/1983 Davis D15/90
- D. 277,675 2/1985 Hung D15/9

- D. 340,458 10/1993 Wang D15/7
- D. 355,918 2/1995 Wang D15/9
- D. 385,566 10/1997 Wang D15/9

Primary Examiner—Ralf Seifert
Attorney, Agent, or Firm—Varndell Legal Group

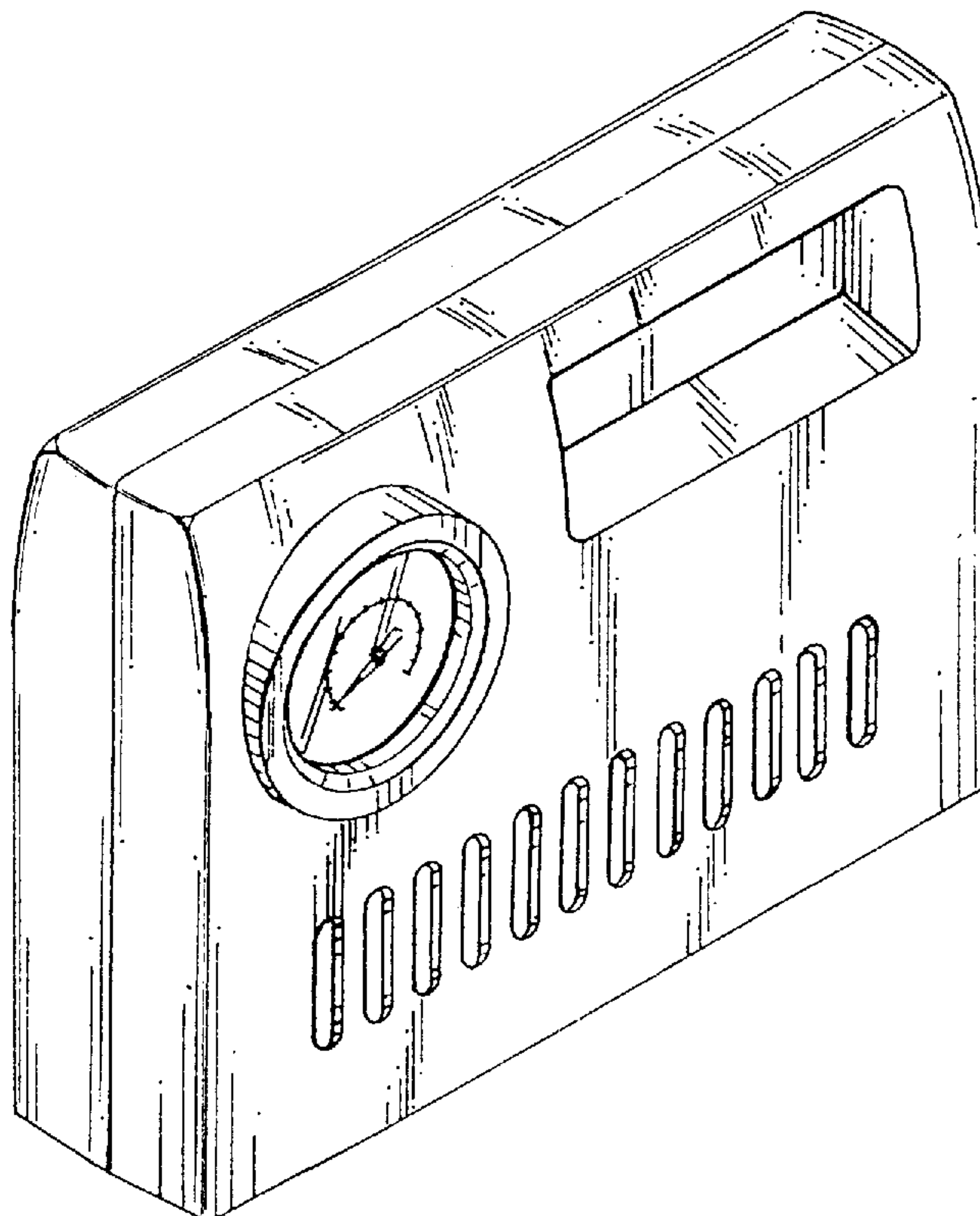
[57] **CLAIM**

The ornamental design for air compressor, as shown and described.

DESCRIPTION

FIG. 1 is a perspective view of air compressor showing the new design thereof;
FIG. 2 is a front elevational view thereof;
FIG. 3 is a rear elevational view thereof;
FIG. 4 is a left side elevational view thereof;
FIG. 5 is a right side elevational view thereof;
FIG. 6 is a top plan view thereof; and,
FIG. 7 is a bottom plan view thereof.

1 Claim, 4 Drawing Sheets



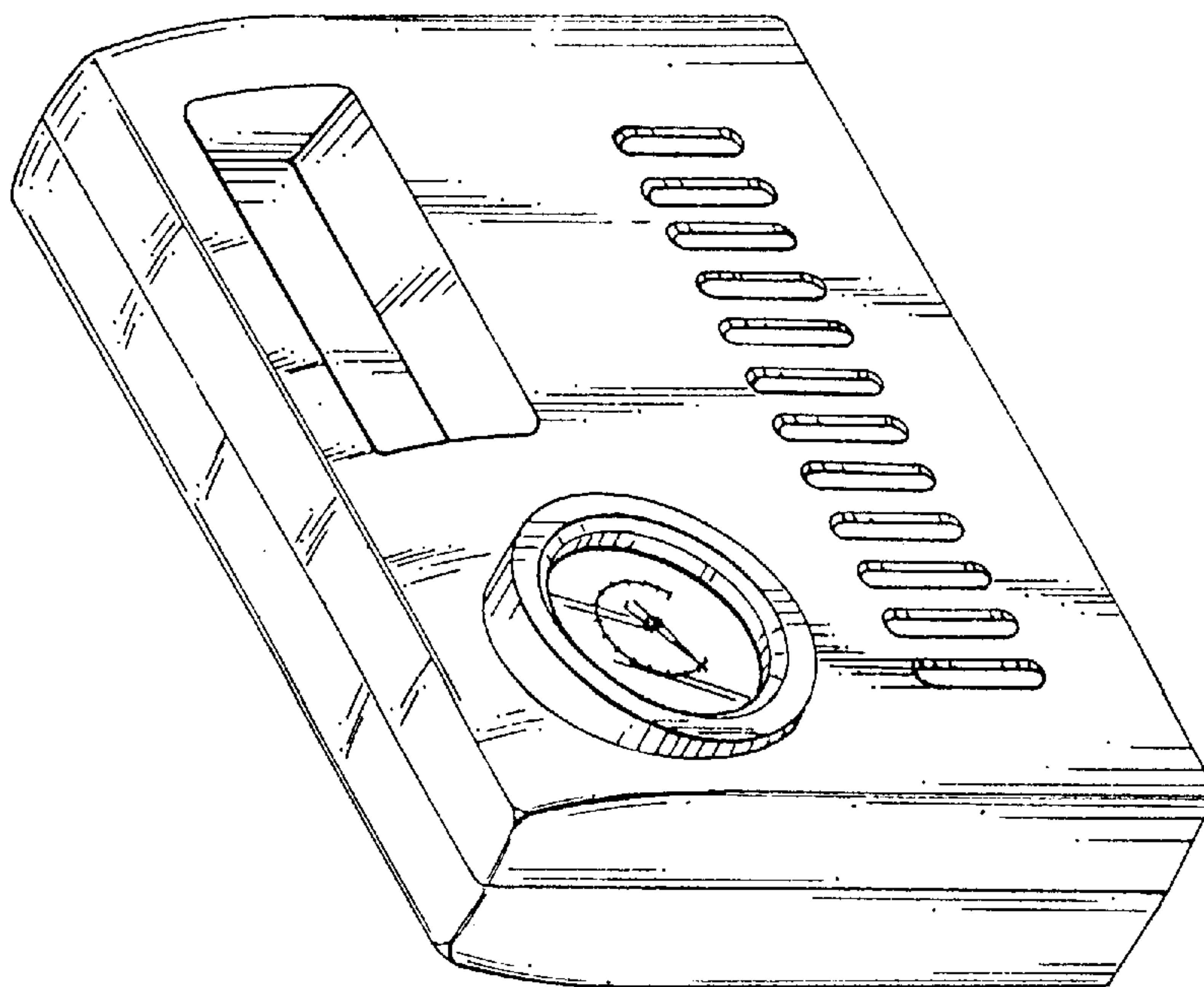


FIG. 1

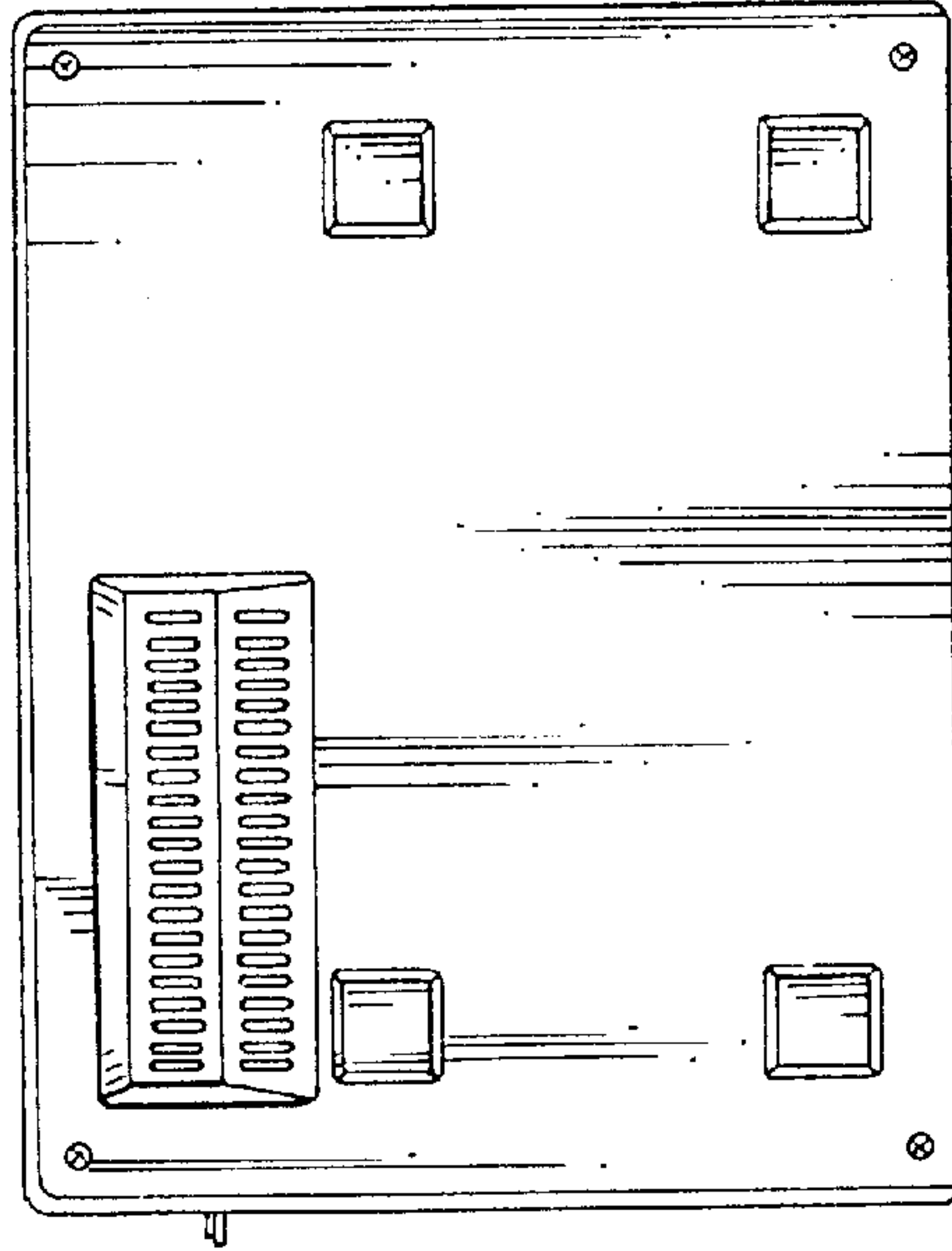


FIG. 3

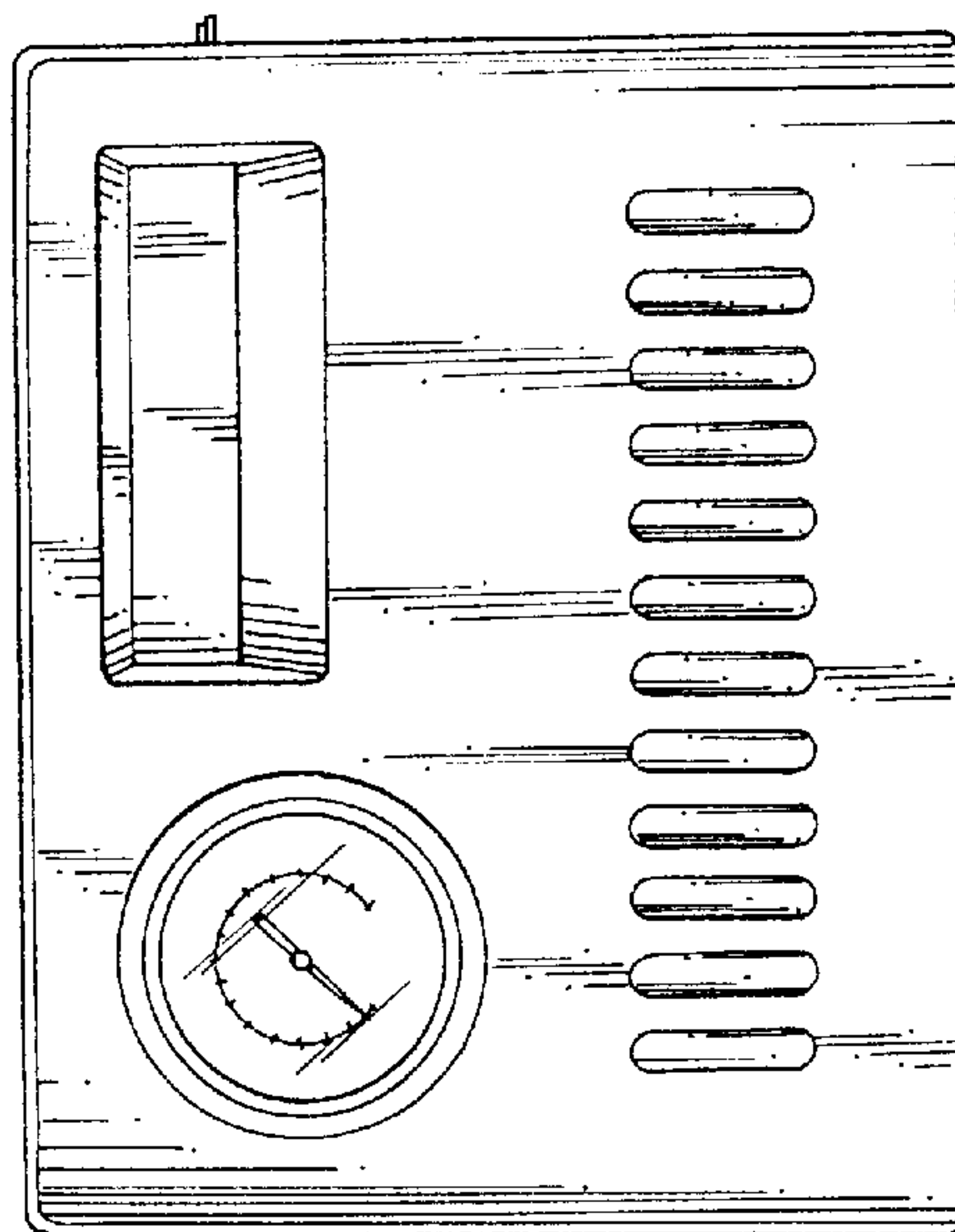


FIG. 2

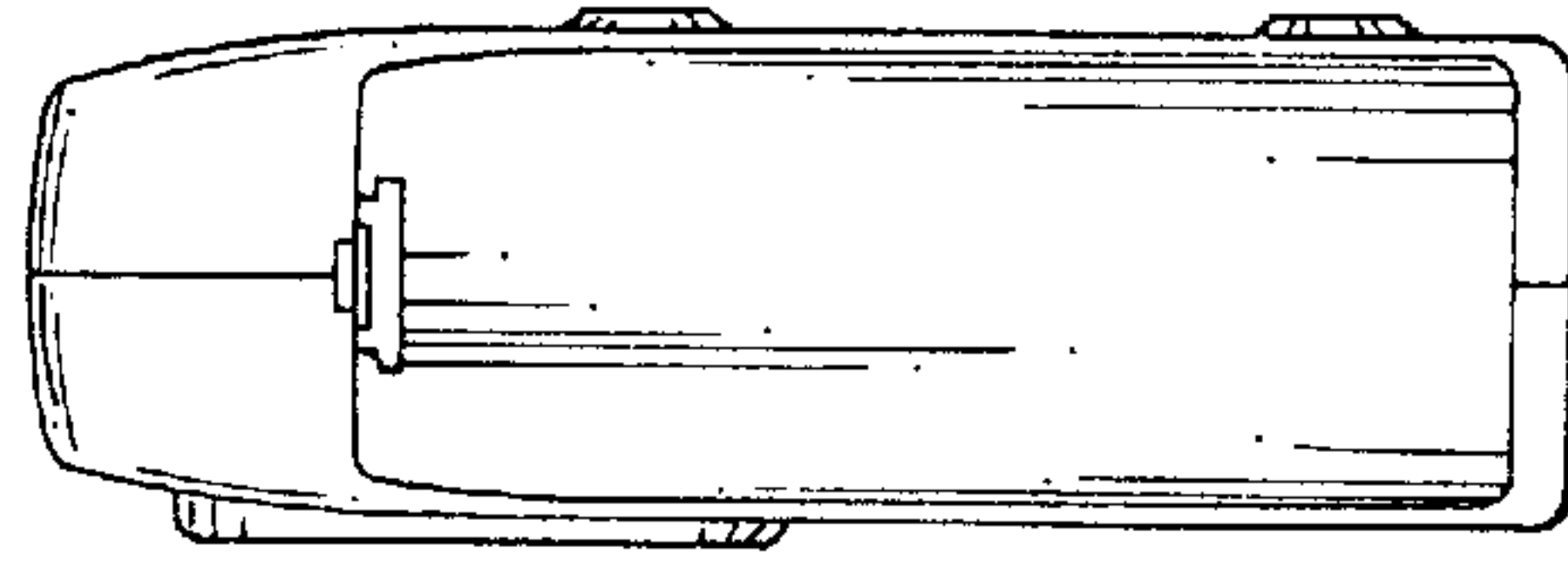


FIG. 5

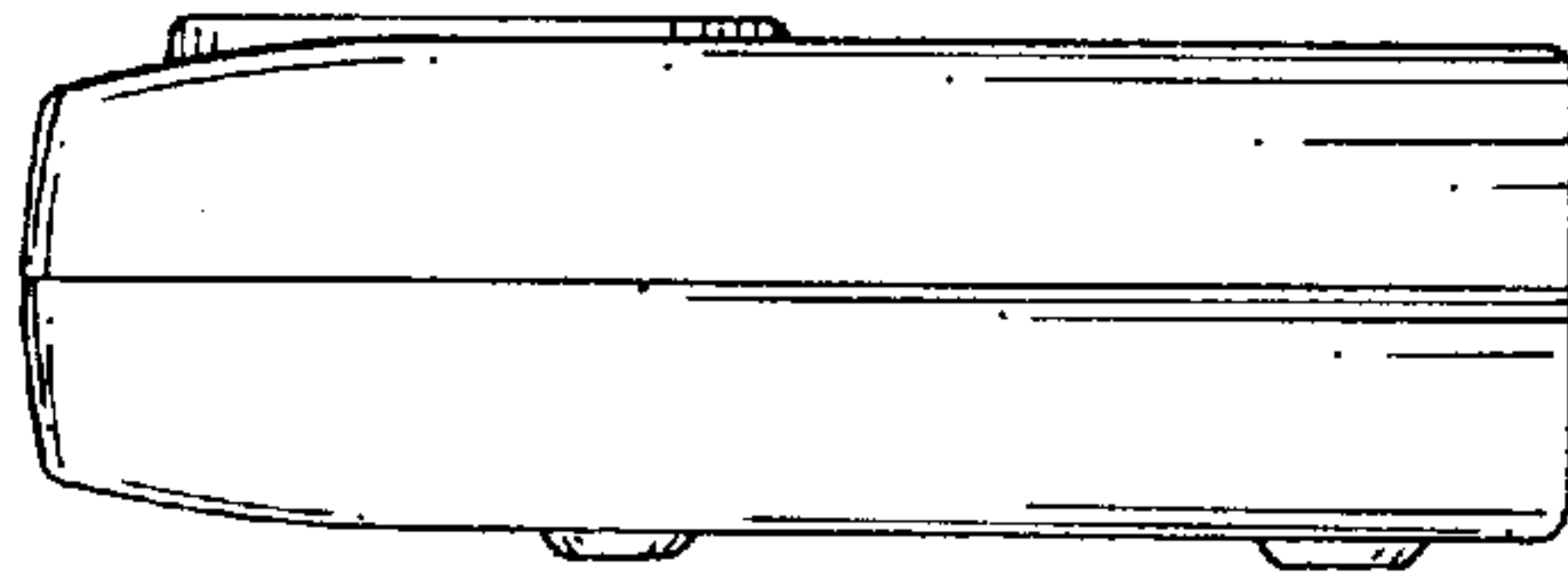


FIG. 4

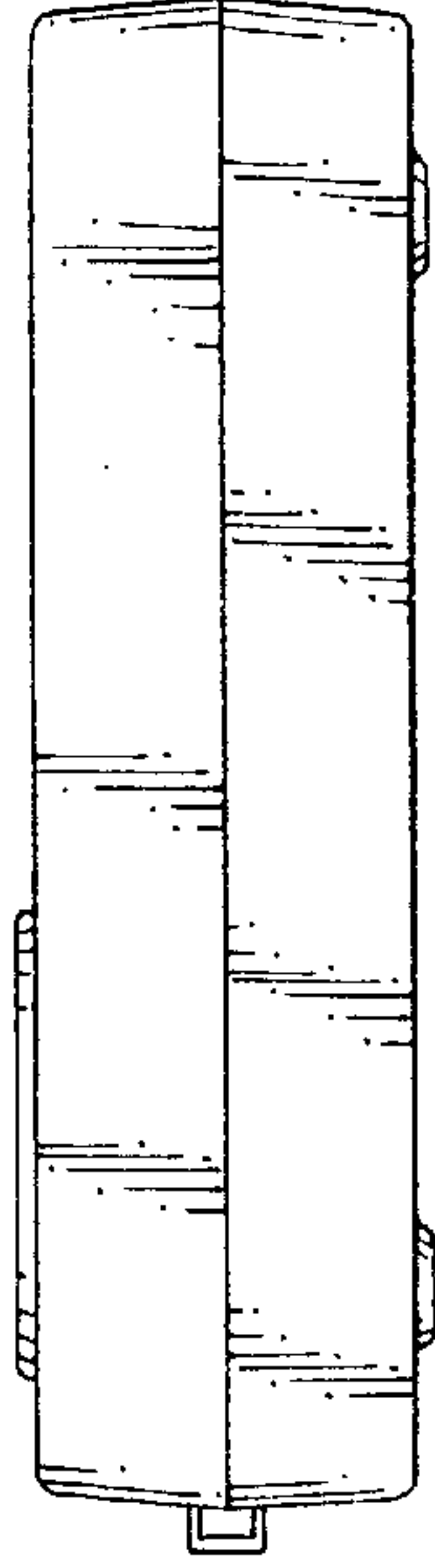


FIG. 7

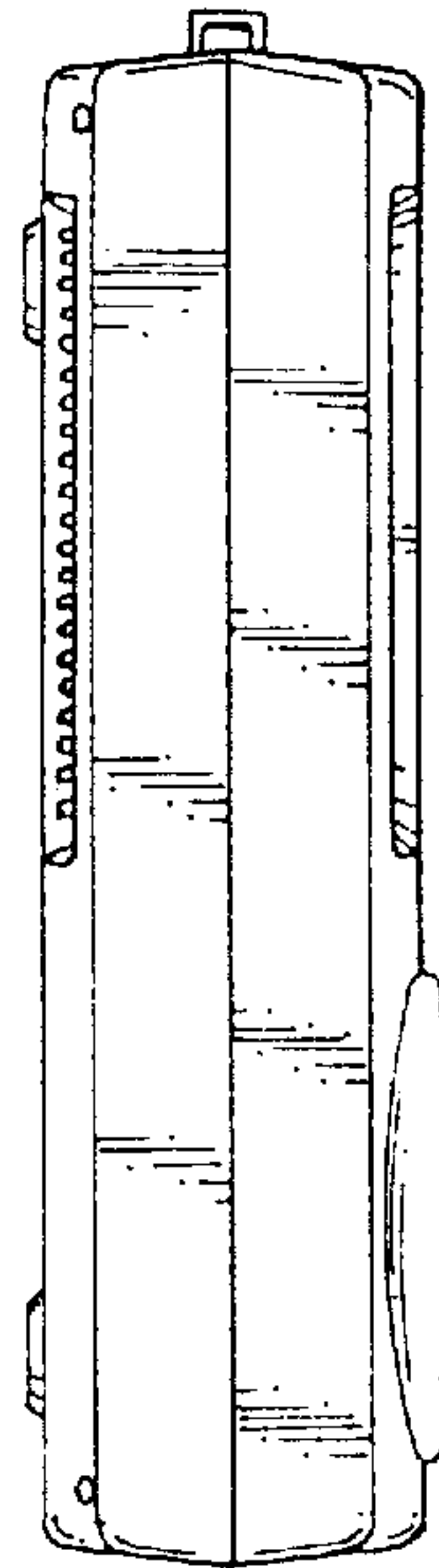


FIG. 6