



US00D406148S

United States Patent [19] Cirincione

[11] **Patent Number: Des. 406,148**

[45] **Date of Patent: **Feb. 23, 1999**

[54] **SEE-THRU DISTRIBUTOR CAP**

[76] Inventor: **Peter J Cirincione**, 574 N. 19th St.,
San Jose, Calif. 65112

[**] Term: **14 Years**

[21] Appl. No.: **64,402**

[22] Filed: **Dec. 31, 1996**

[51] **LOC (6) Cl.** **15-01**

[52] **U.S. Cl.** **D15/5**

[58] **Field of Search** D15/1-5; 123/146.5 R,
123/146.5 A, 146.5 B, 146.5 C, 146.5 D;
200/19 A, 19 DC, 19 DR, 19 EL, 19 L,
19 M, 19 TS, 19 WG

[56] **References Cited**

U.S. PATENT DOCUMENTS

3,237,619	3/1966	Kind et al.	123/146.5 A X
3,529,112	9/1970	Morra	200/19 DC
4,011,851	3/1977	Beutler	200/19 R X
4,077,378	3/1978	Okumura	200/19 DC X
4,383,505	5/1983	Hanaoka et al.	200/19 DC X
4,512,296	4/1985	Herrington et al.	123/146.5 R
4,639,560	1/1987	Kronberger	200/19 R

OTHER PUBLICATIONS

J.C. Whitney and Co. catalog, p. 166, Hi-Performance
Transparent Distributor Caps, Mar. 1983.

Jeg's High Performance Mail Order, p. 40-Q, Distributor
Caps, 37-Series Racing Dual point Distributor; 34-Series
Super Stock Dual Point Distributor; 41-Series Unispark
electronic Distributor, Apr. 1993.

Jeg's High Performance Mail Order, p. 41-Q, Marine Dis-
tributors Caps, Apr. 1993.

Jeg's High Performance Mail Order, p. 89-Q, V8 Distributor
Cap and rotor kit, Apr. 1993.

Primary Examiner—Ted Shooman

Assistant Examiner—Nanda Bondade

[57] **CLAIM**

The ornamental design for a see-thru distributor cap, as
shown.

DESCRIPTION

FIG. 1 is a front elevational view of a see-thru distributor cap
showing my new design;

FIG. 2 is a rear elevational view thereof;

FIG. 3 is a left side elevational view thereof;

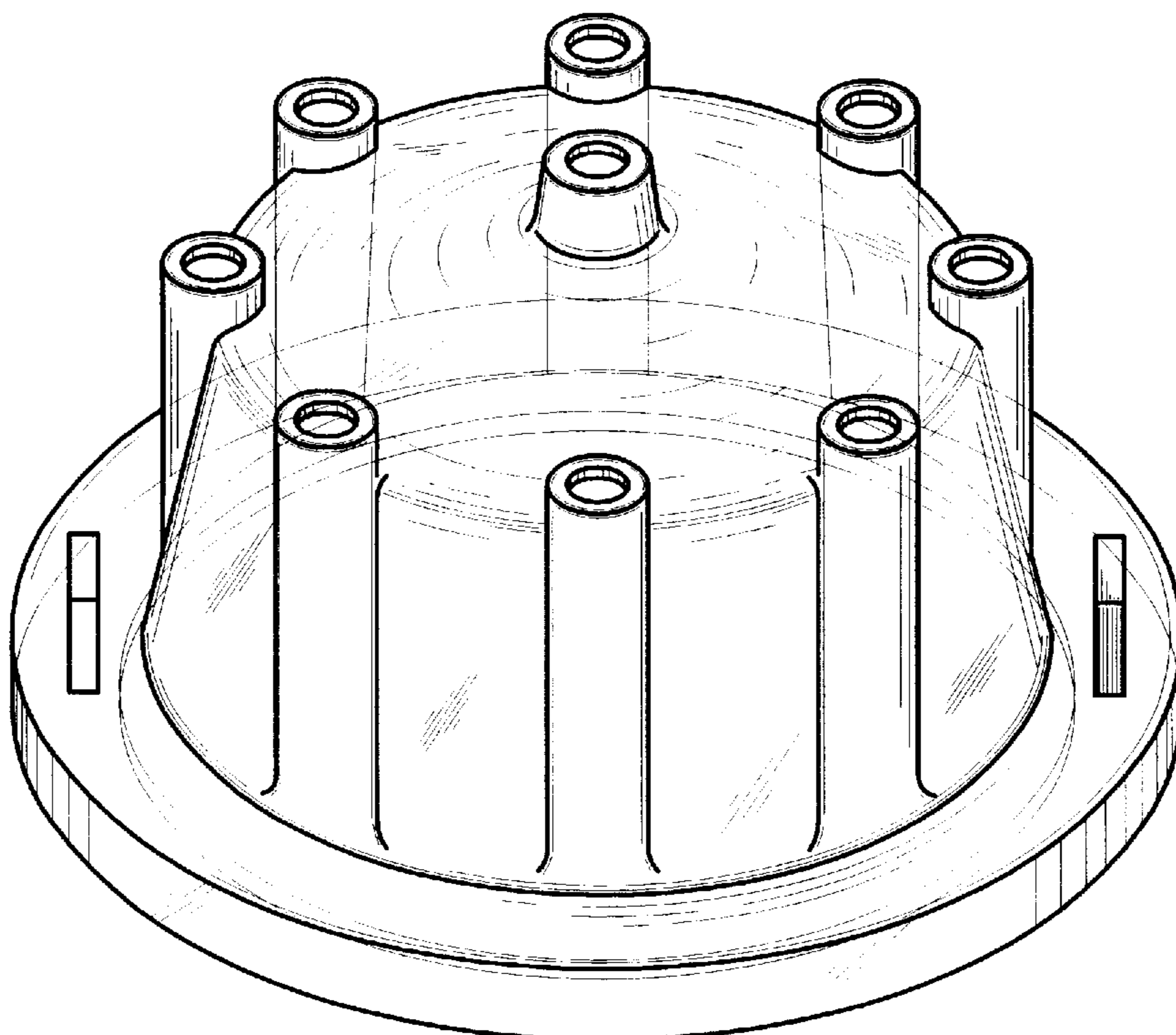
FIG. 4 is a right side elevational view thereof;

FIG. 5 is a top plan view thereof;

FIG. 6 is a bottom plan view thereof; and,

FIG. 7 is a top and front perspective view thereof.

1 Claim, 4 Drawing Sheets



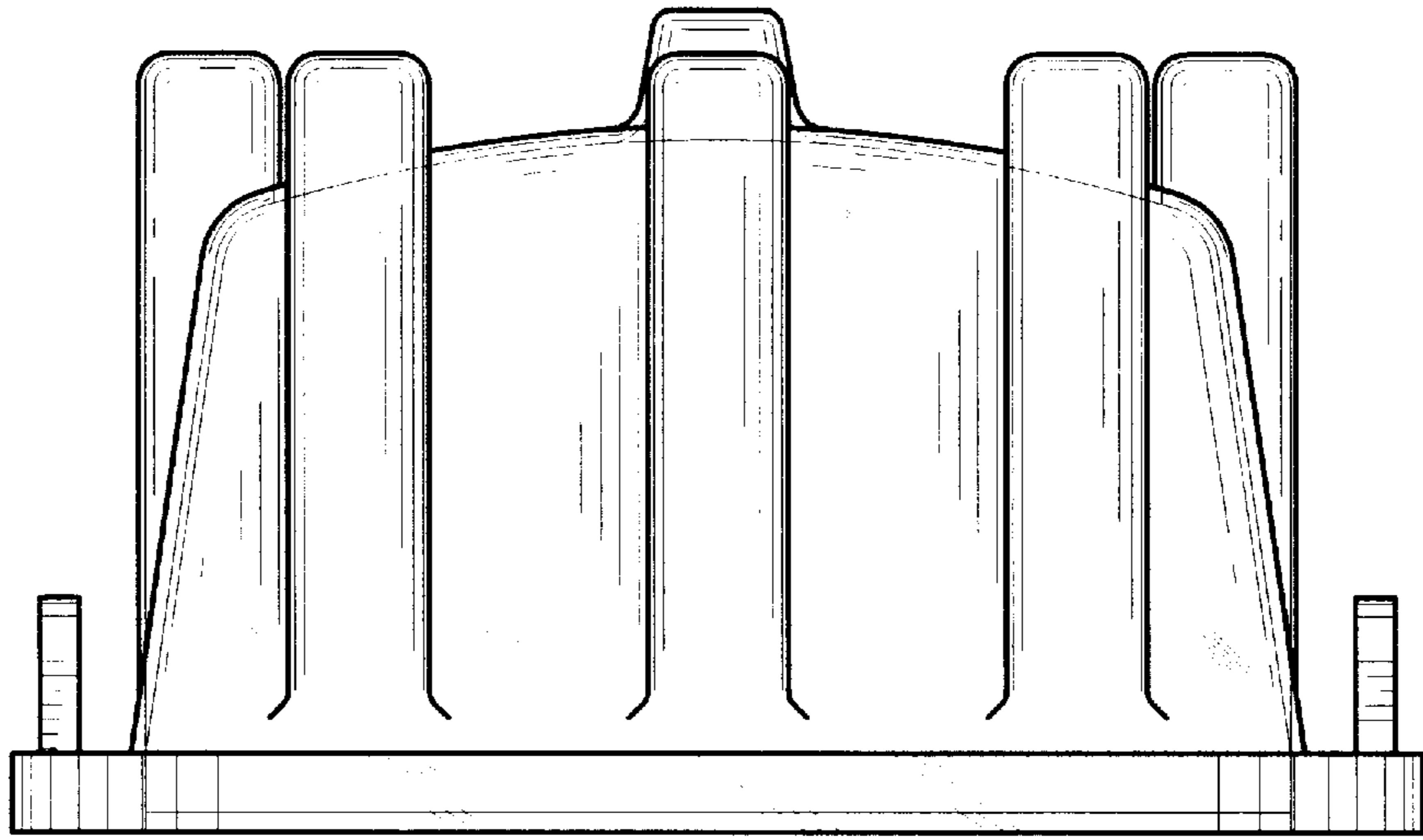


Fig. 2

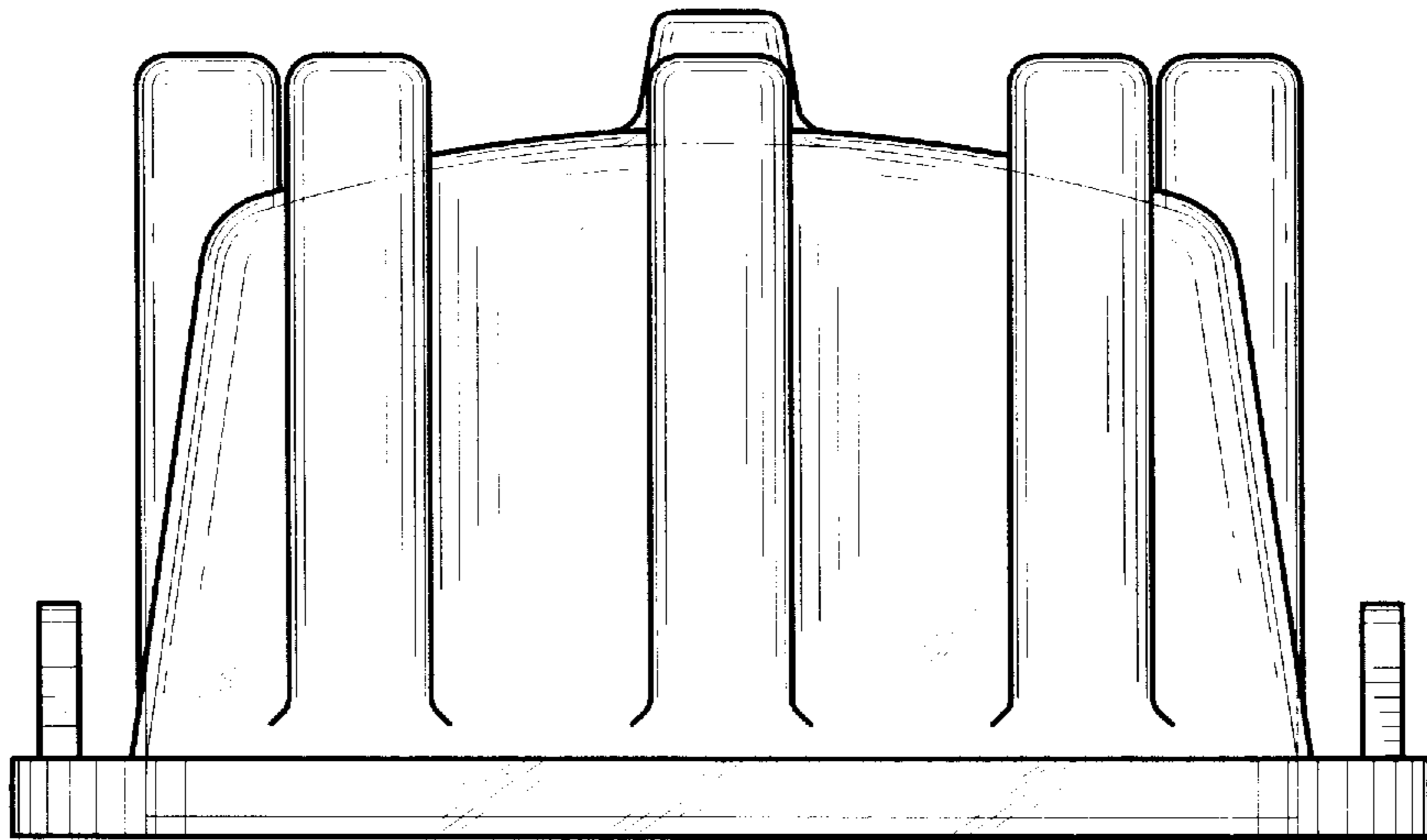


Fig. 1

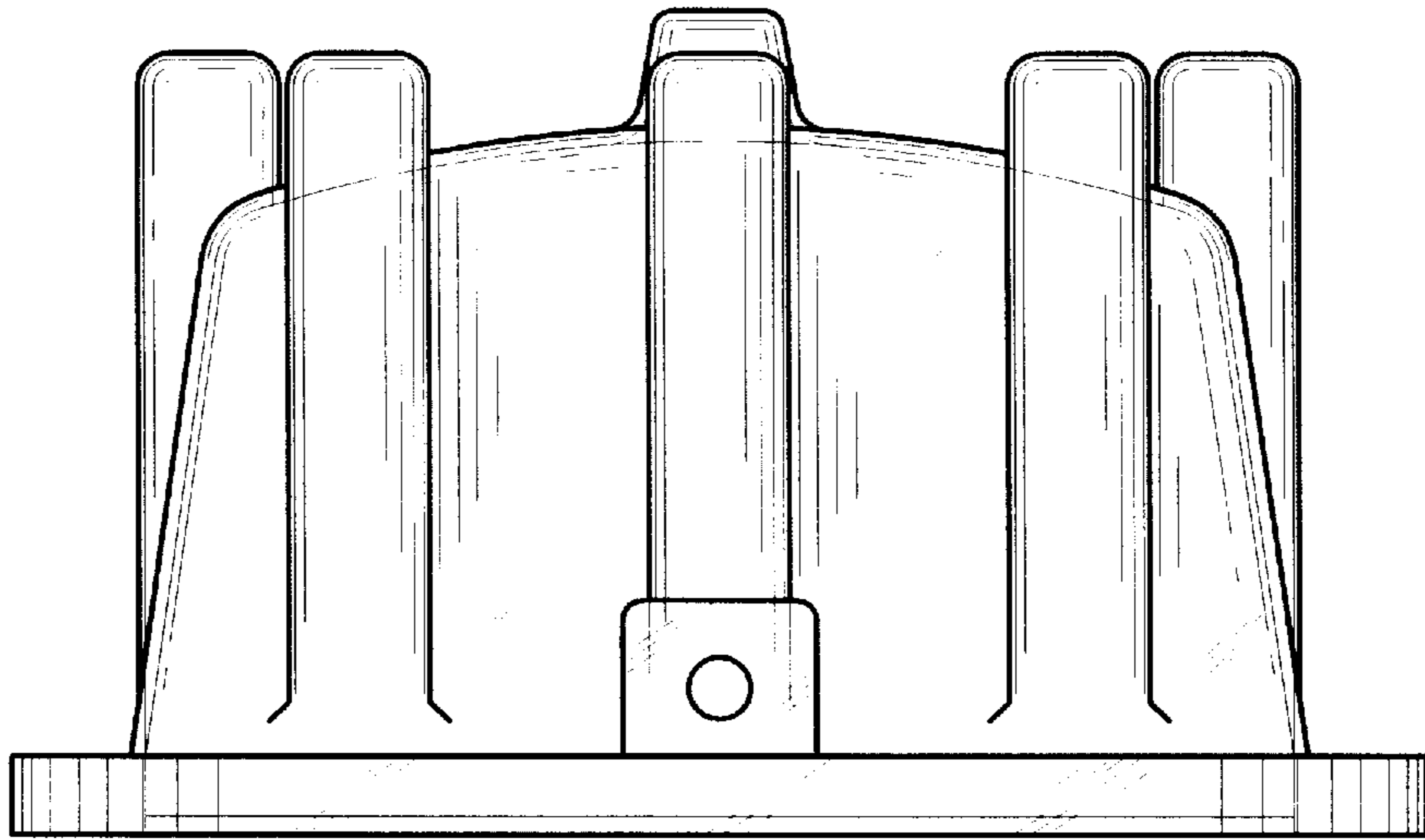


Fig. 3

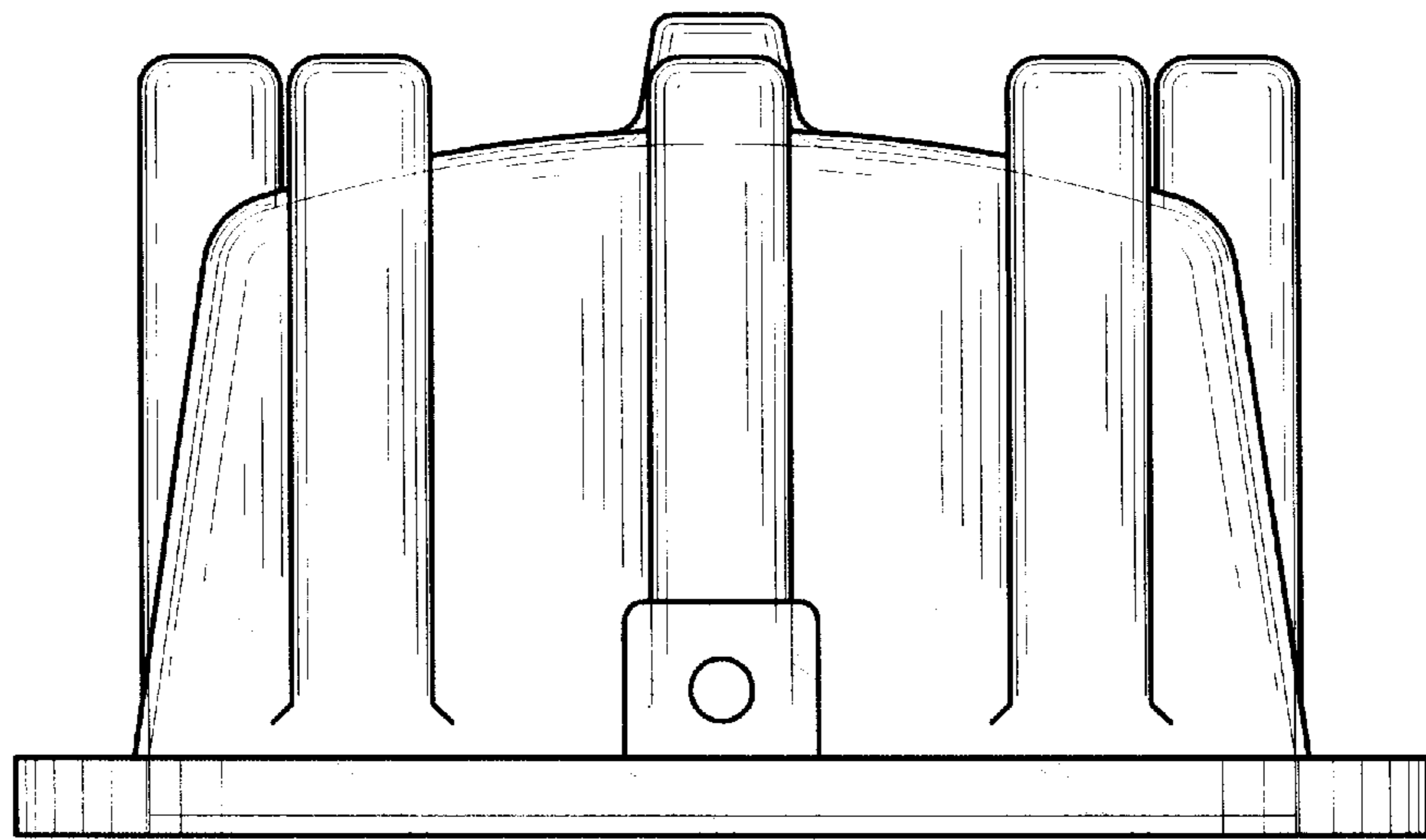


Fig. 4

Fig. 5

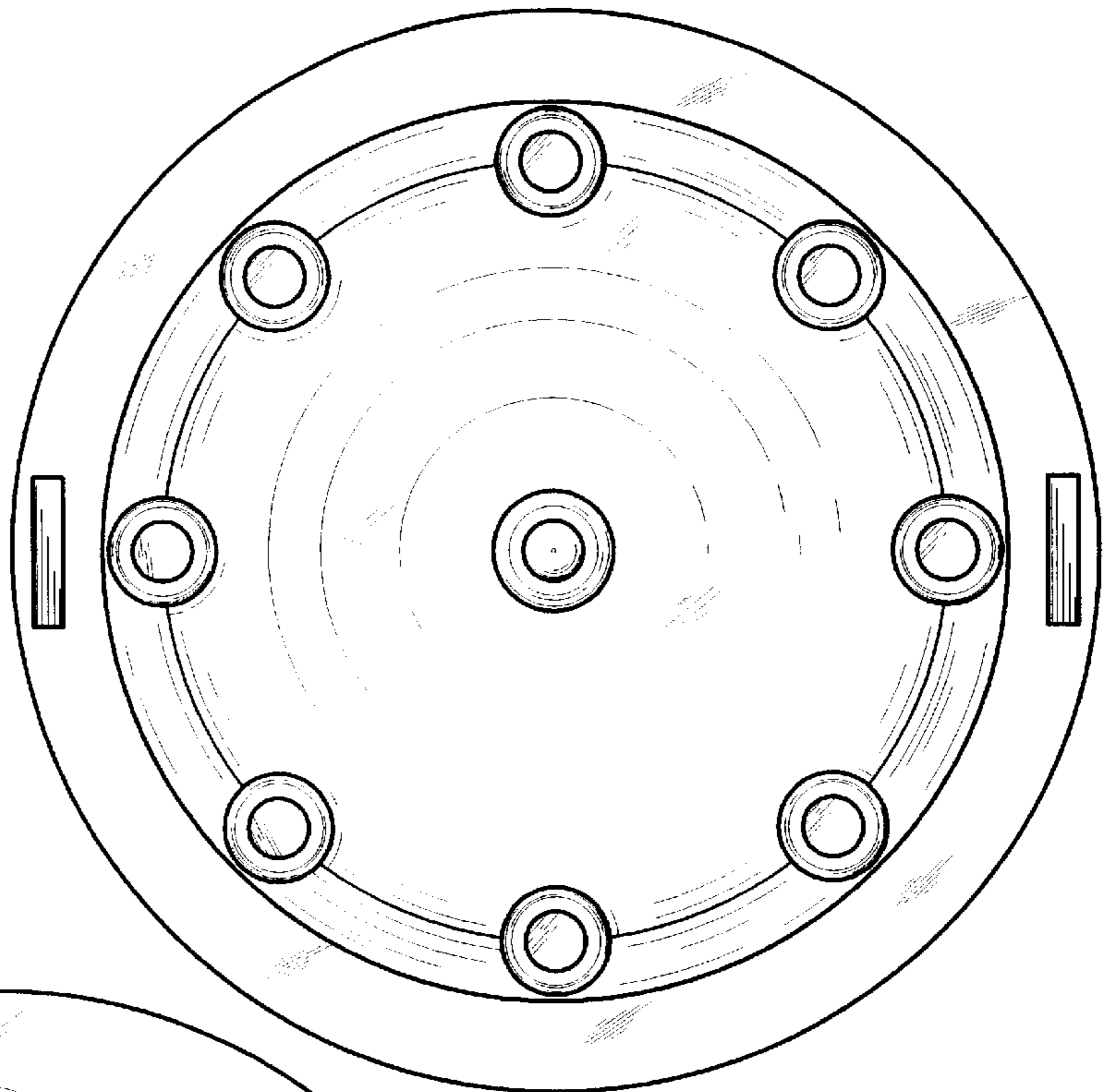
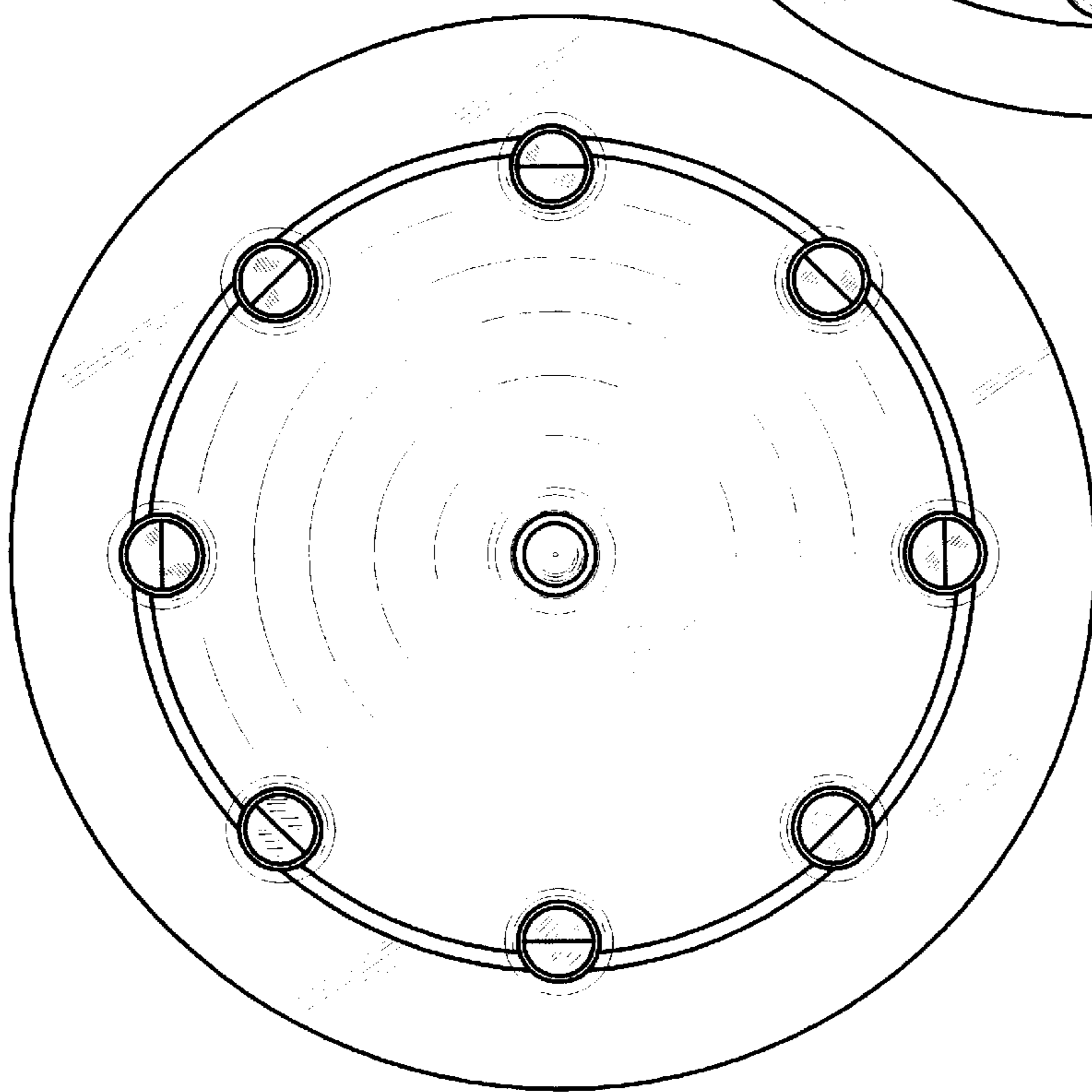


Fig. 6



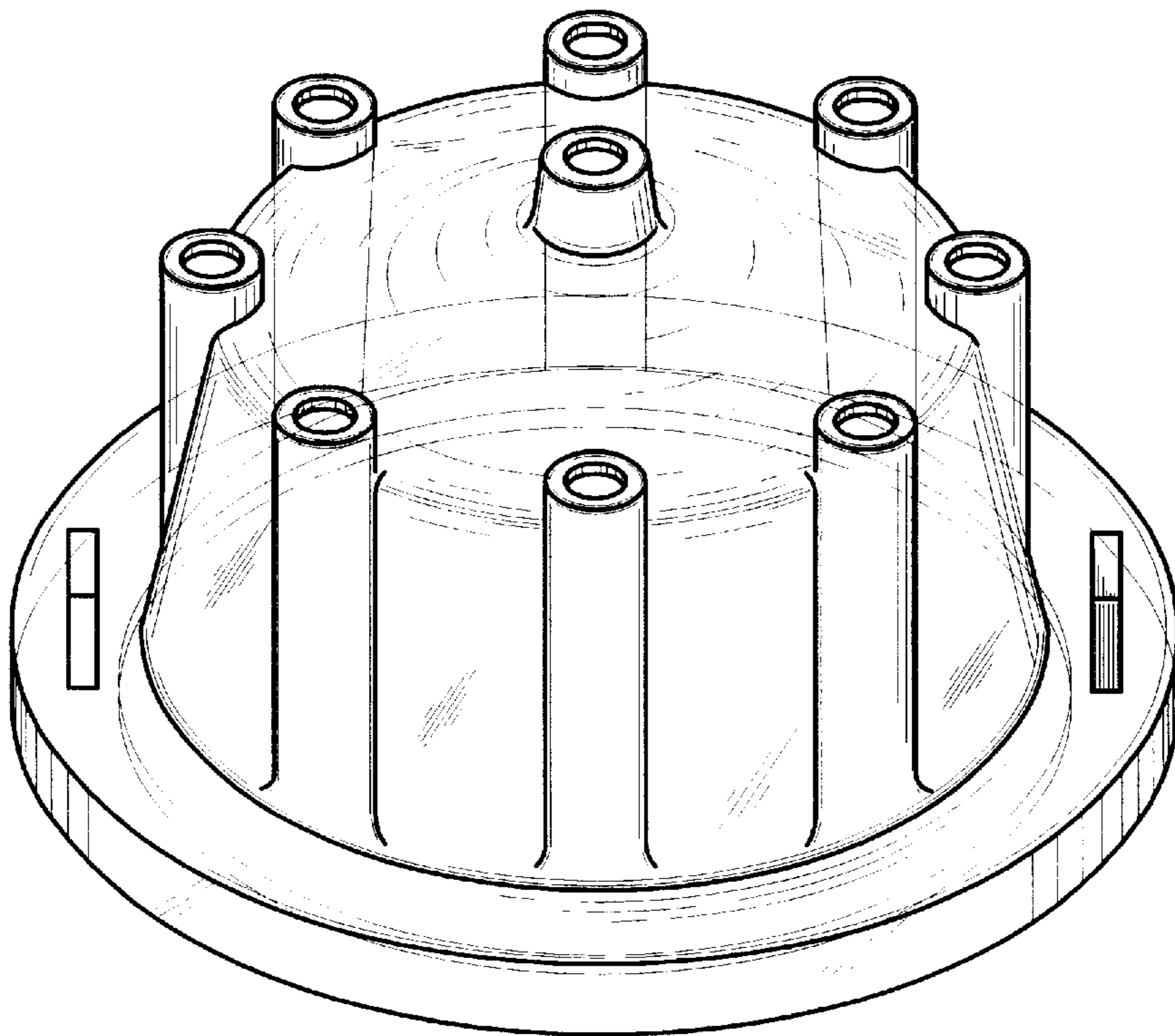


Fig. 7