



US00D406142S

United States Patent [19]
Meurer

[11] **Patent Number: Des. 406,142**

[45] **Date of Patent: **Feb. 23, 1999**

[54] **VIDEO COMMUNICATION UNIT**

[75] Inventor: **Eberhard Meurer**, Furtwangen,
Germany

[73] Assignee: **S. Siedle & Söhne**, Germany

[**] Term: **14 Years**

[21] Appl. No.: **78,374**

[22] Filed: **Oct. 22, 1997**

[51] **LOC (6) Cl.** **14-03**

[52] **U.S. Cl.** **D14/218**

[58] **Field of Search** D14/217, 218;
D13/168; 348/734; 455/151.1, 151.2, 151.3,
151.4, 152.1, 352-355; 200/331

[56] **References Cited**

U.S. PATENT DOCUMENTS

D. 317,310	6/1991	Schwartz	D14/218
D. 337,588	7/1993	Cruz et al.	D14/218
D. 348,065	6/1994	Madill et al.	D14/218
D. 356,570	3/1995	Shinohara et al.	D14/218
D. 357,018	4/1995	Takami	D14/218

D. 382,948	8/1997	Veal	D14/218
D. 384,940	10/1997	Kono et al.	D14/218

Primary Examiner—Ruth McInroy
Attorney, Agent, or Firm—Ira S. Dorman

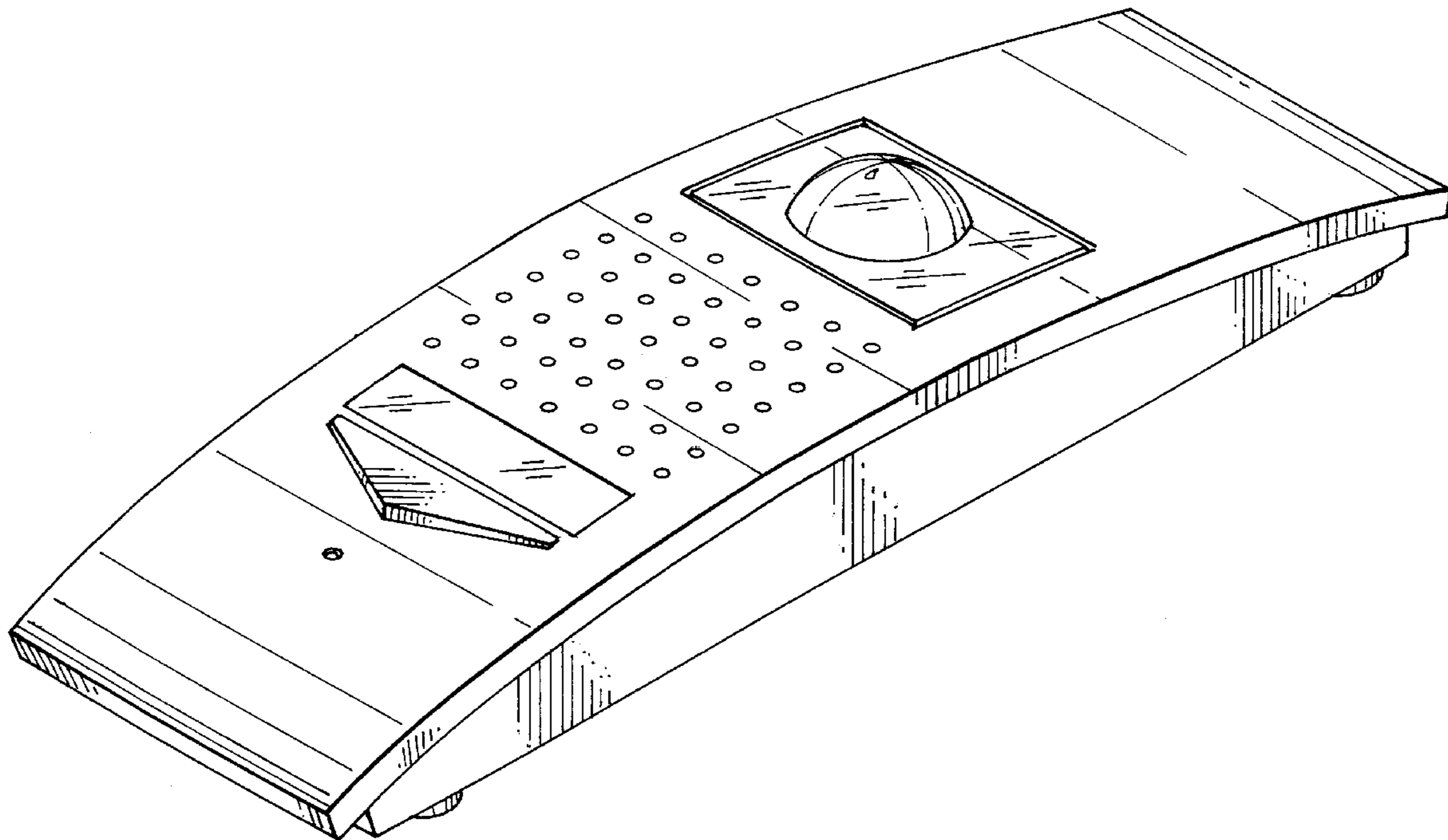
[57] **CLAIM**

The ornamental design for a video communication unit, as shown.

DESCRIPTION

FIG. 1 is a front perspective view of a video communication unit showing my new design;
FIG. 2 is a top plan view thereof;
FIG. 3 is a side elevational view thereof; the opposite side is a mirror image;
FIG. 4 is an elevational view of one end thereof;
FIG. 5 is an elevational view of the opposite end thereof; and,
FIG. 6 is a bottom plan view thereof.
The details shown in broken lines in FIG. 6 are shown for illustrative purposes only and form no part of the claimed design.

1 Claim, 3 Drawing Sheets



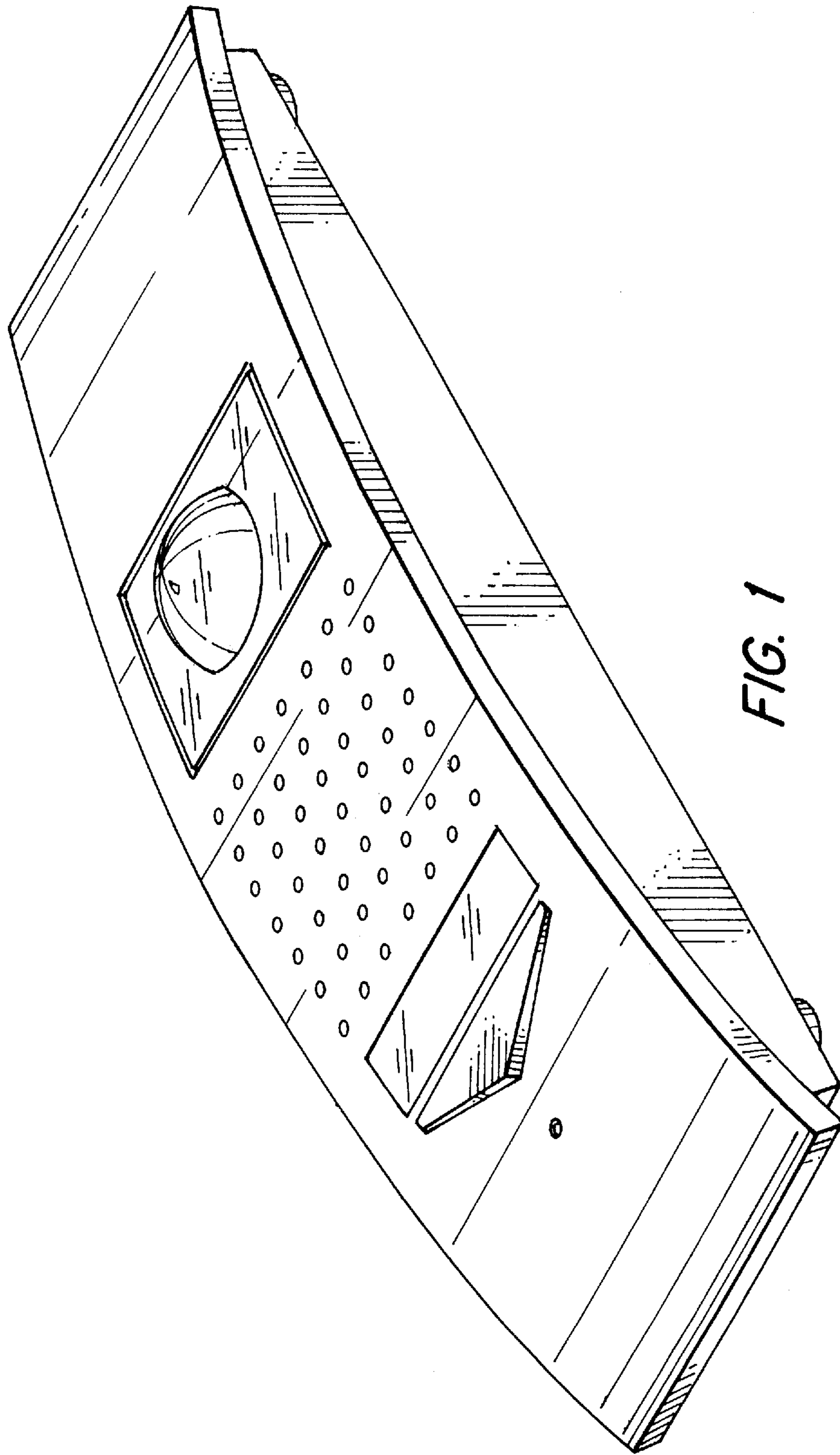


FIG. 1

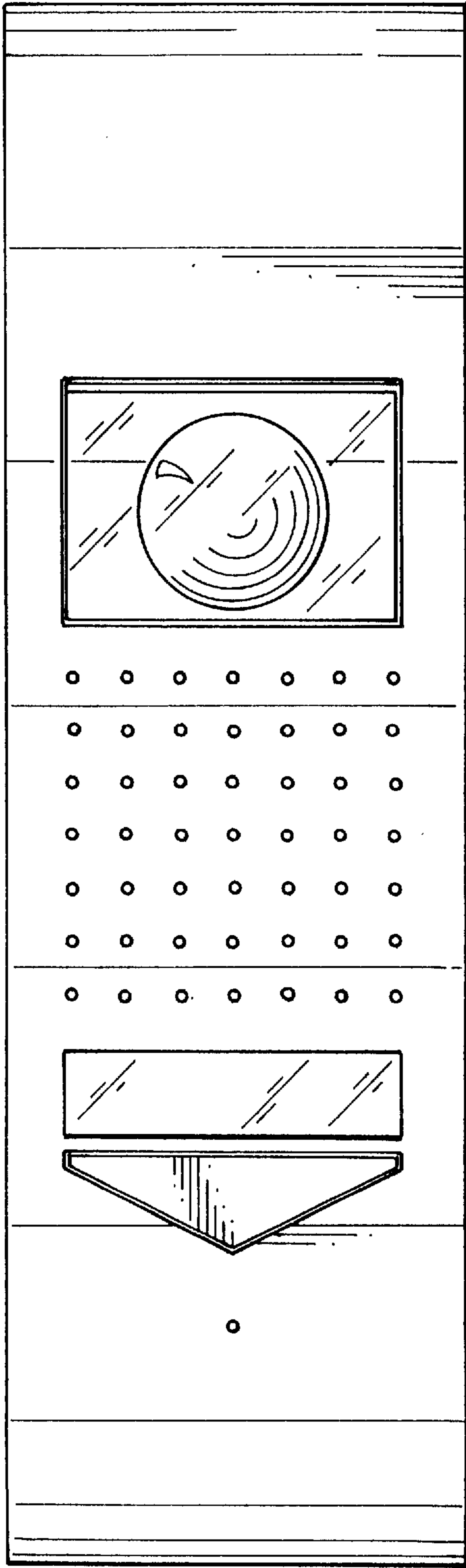


FIG. 2

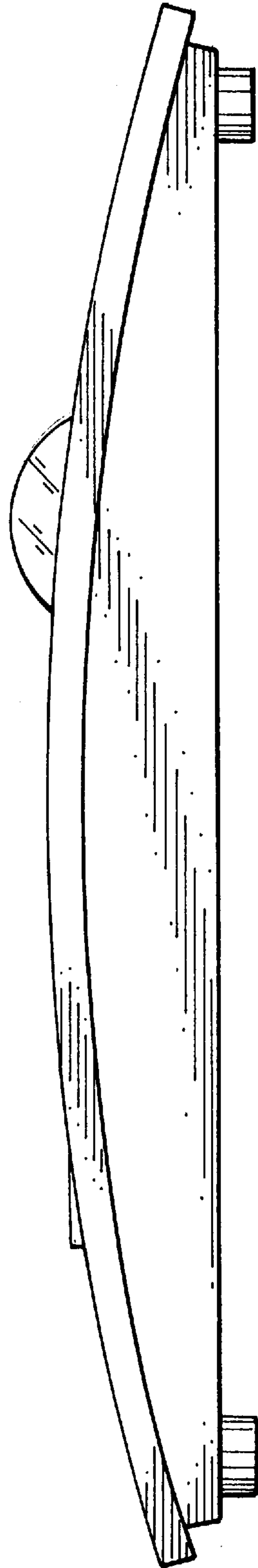


FIG. 3

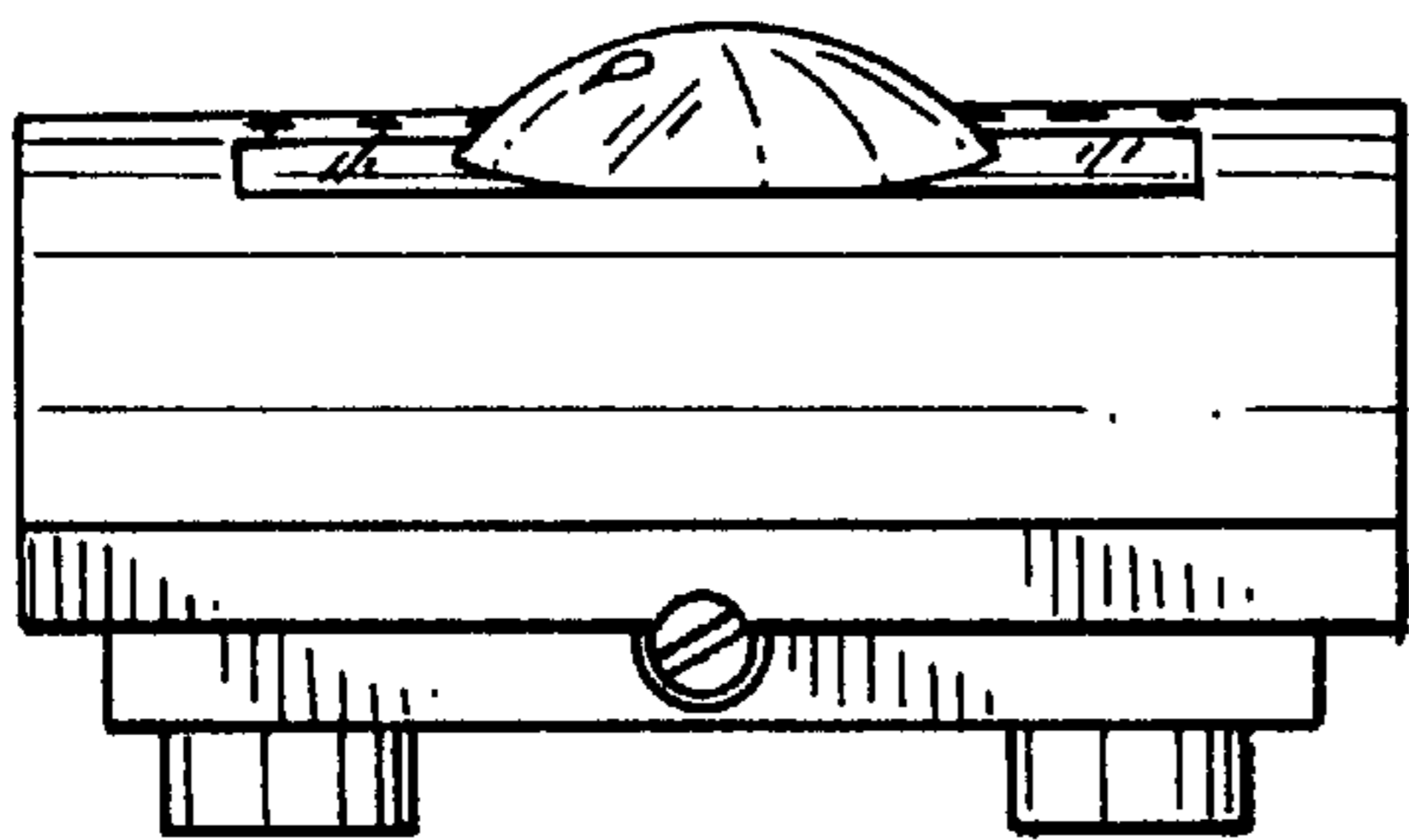


FIG. 4

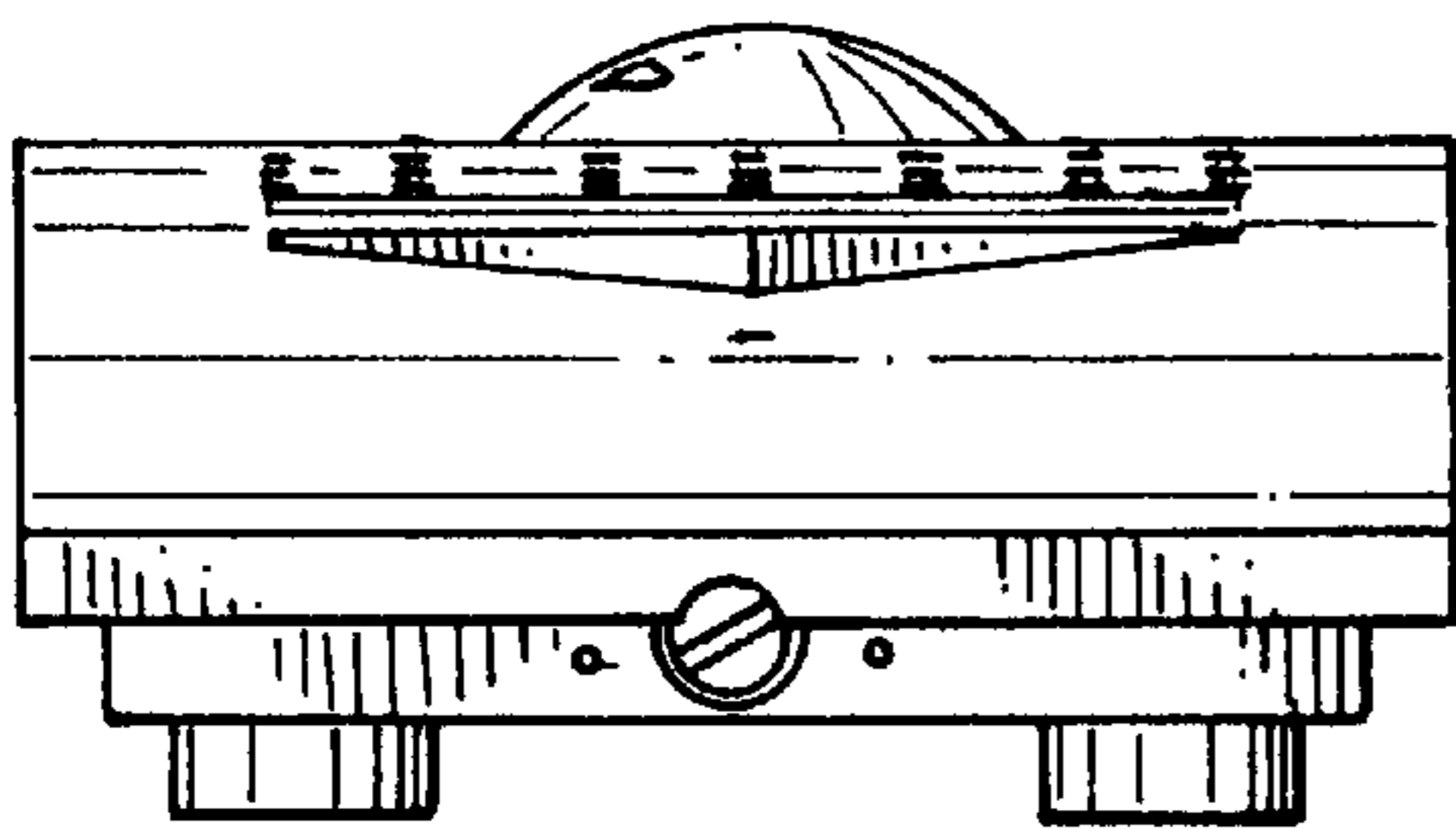


FIG. 5

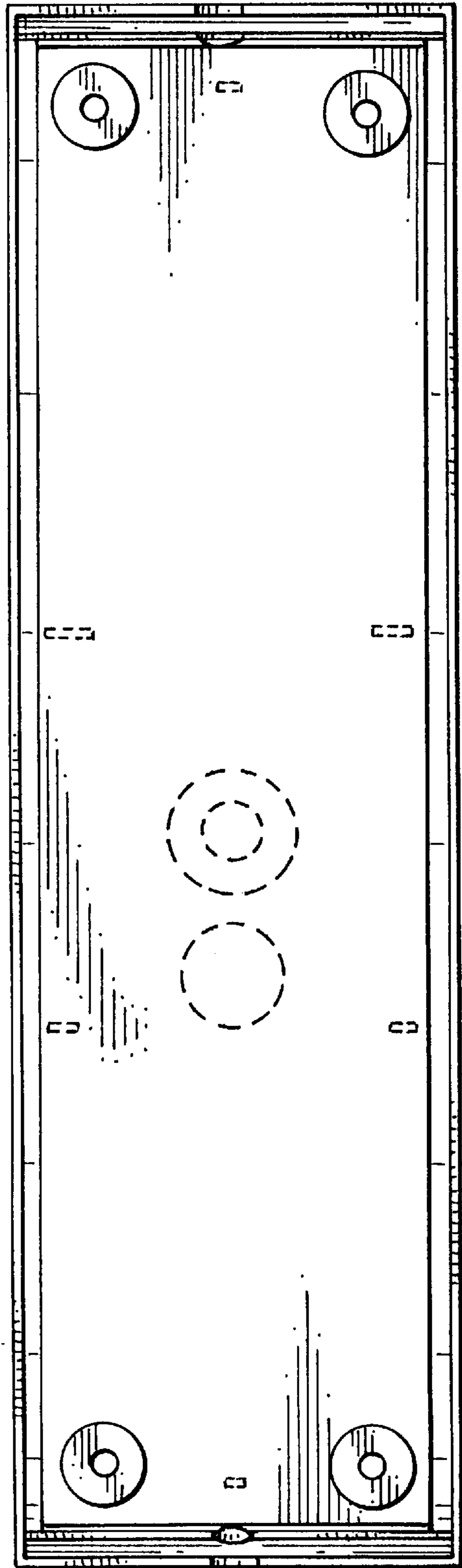


FIG. 6