



US00D406141S

United States Patent [19] Hill

[11] **Patent Number: Des. 406,141**

[45] **Date of Patent: **Feb. 23, 1999**

[54] **COMBINED REMOTE CONTROL DEVICE AND STAND**

[75] Inventor: **Christopher S. Hill**, Katonah, N.Y.

[73] Assignee: **Nick Penachio Co., Inc.**, Bronx, N.Y.

[**] Term: **14 Years**

[21] Appl. No.: **77,161**

[22] Filed: **Jul. 29, 1997**

[51] **LOC (6) Cl.** **14-03**

[52] **U.S. Cl.** **D14/218**

[58] **Field of Search** D14/217, 218;
D13/168; 348/734; 455/151.1, 151.2, 151.3,
151.4, 152.1, 352-355; 200/331

[56] **References Cited**

U.S. PATENT DOCUMENTS

D. 368,094	3/1996	Turin et al.	D14/218
D. 372,716	8/1996	Thorne, III	D14/218
D. 377,352	1/1997	Bird et al.	D14/218
D. 378,679	4/1997	Soriano	D14/218
D. 379,184	5/1997	Luciano et al.	D14/218
D. 379,460	5/1997	Chang et al.	D14/218
D. 383,135	9/1997	Arthur	D14/218
D. 387,766	10/1996	Schultz et al.	D14/218

D. 392,642 11/1996 Bickford et al. D14/218

Primary Examiner—Ruth McInroy
Attorney, Agent, or Firm—Charles E. Temko

[57] **CLAIM**

I claim the ornamental design for a combined remote control device and stand, as shown and described.

DESCRIPTION

FIG. 1 is a front elevational view of a remote control device showing my new design, the claim being directed to the combined remote control device and stand shown in FIGS. 6-10;

FIG. 2 is a right side elevational view thereof;

FIG. 3 is a bottom plan view thereof;

FIG. 4 is a rear elevational view thereof;

FIG. 5 is a top plan view thereof;

FIG. 6 is a front elevational view showing a combined remote control device and stand;

FIG. 7 is a right side elevational view thereof;

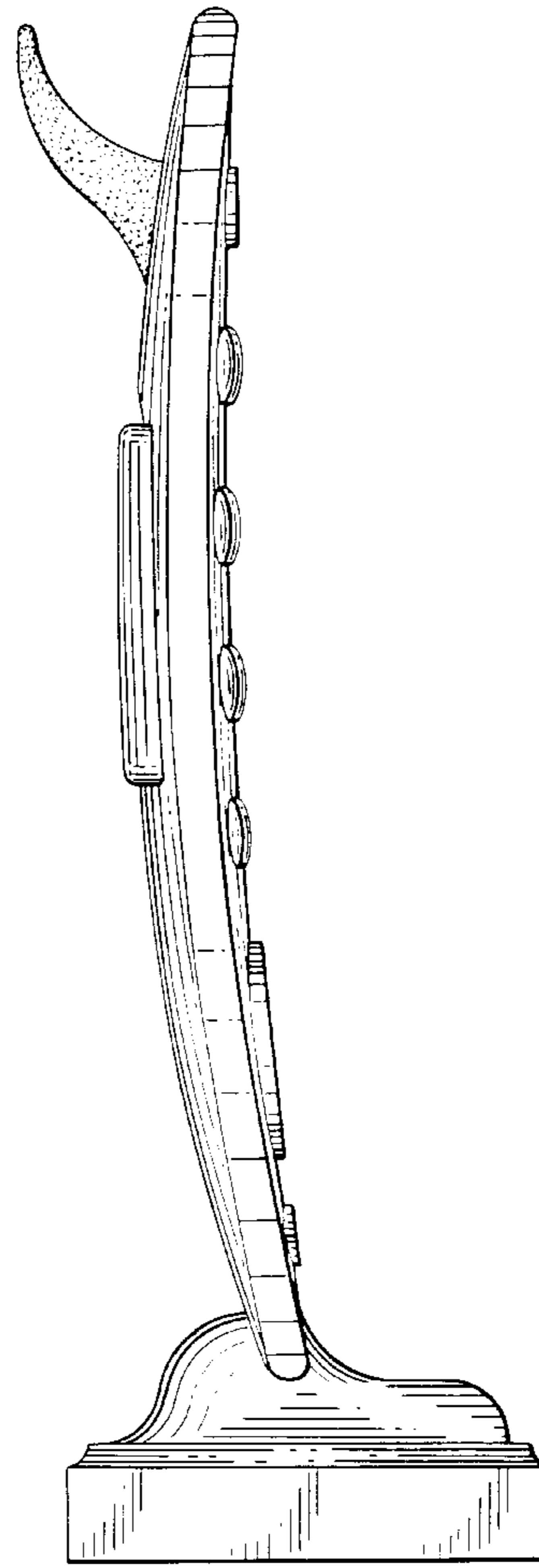
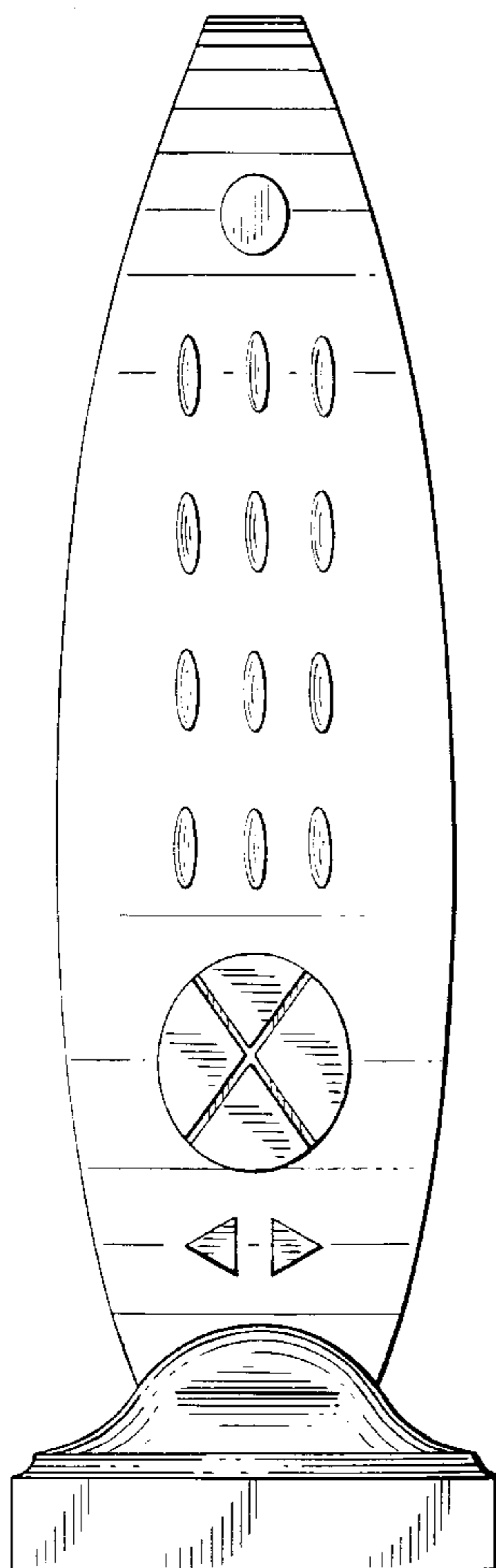
FIG. 8 is a rear elevational view thereof;

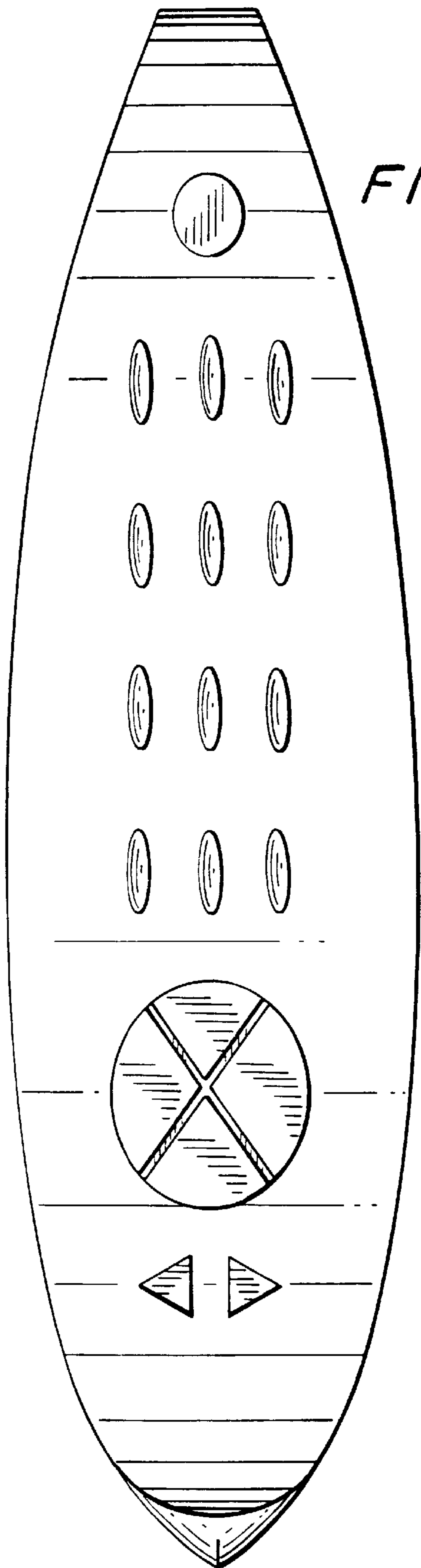
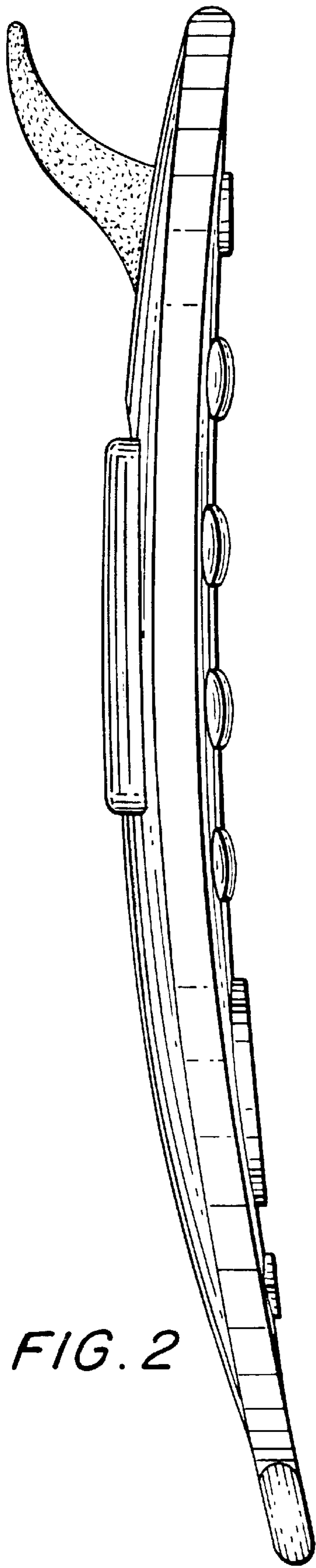
FIG. 9 is a top plan view thereof; and,

FIG. 10 is a bottom plan view thereof.

The remote control device is shown separate from the stand in FIGS. 1-5 for clarity of illustration.

1 Claim, 4 Drawing Sheets





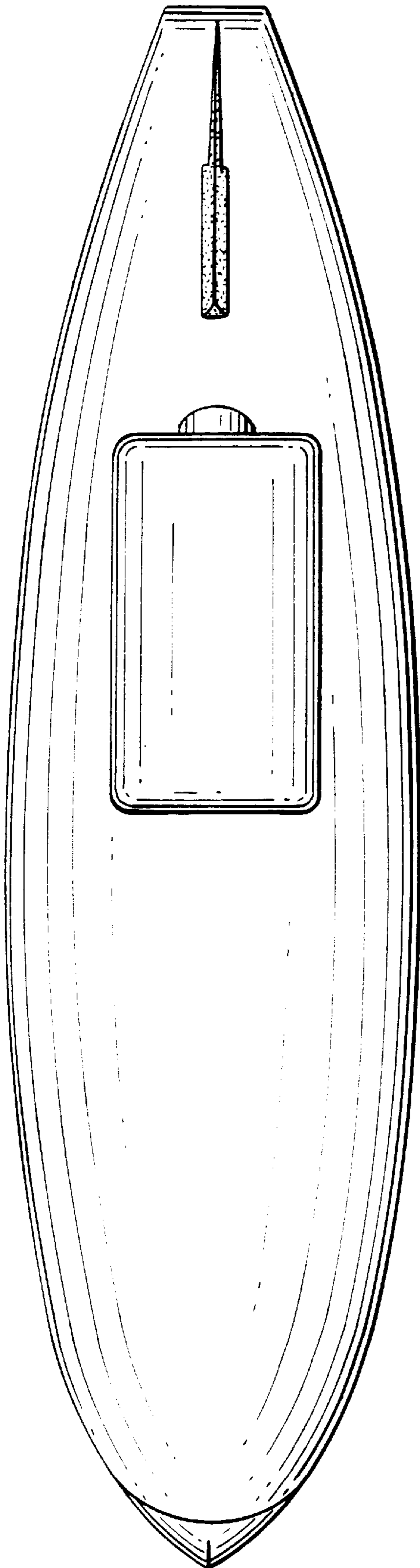


FIG. 4

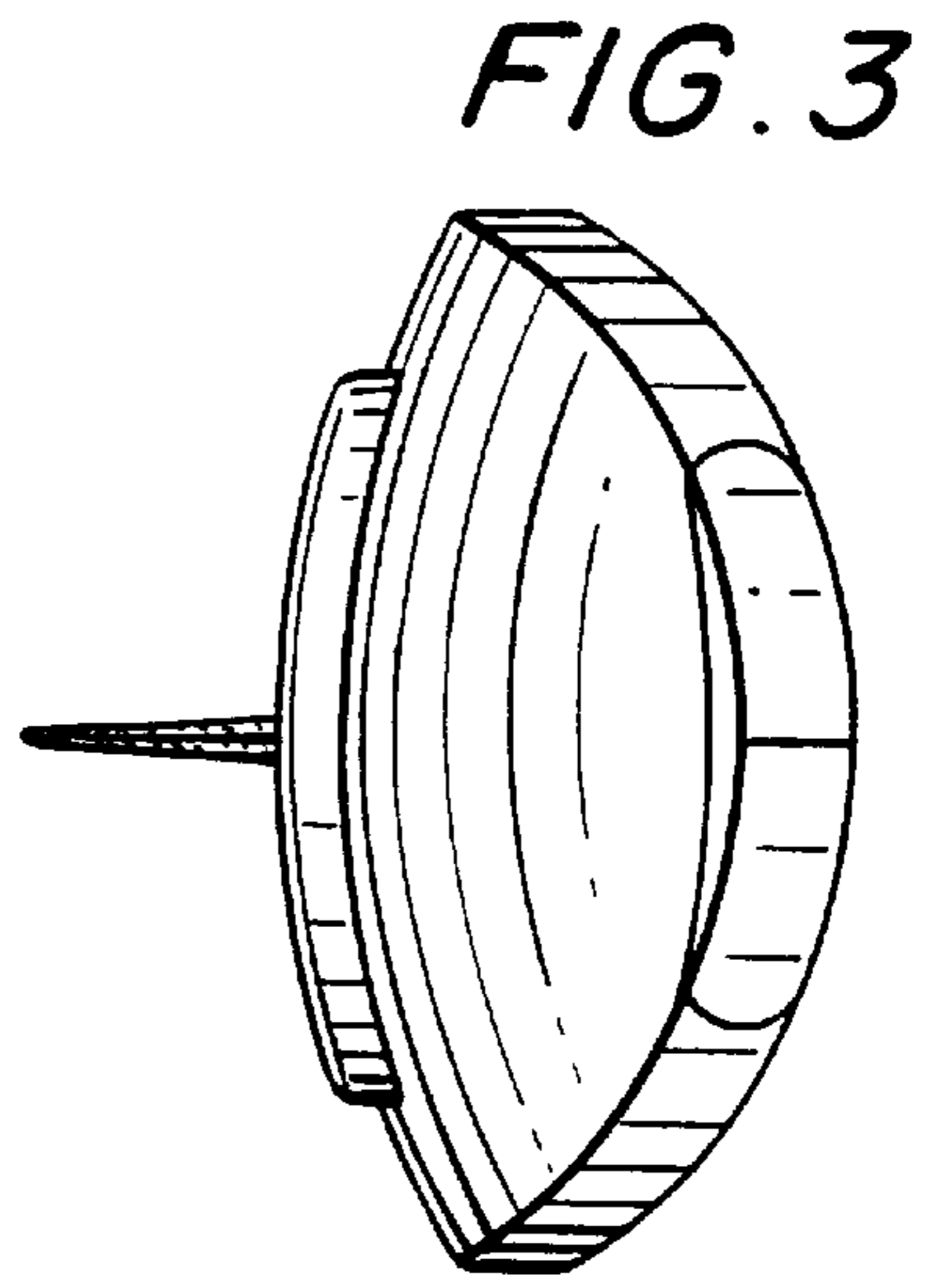


FIG. 3

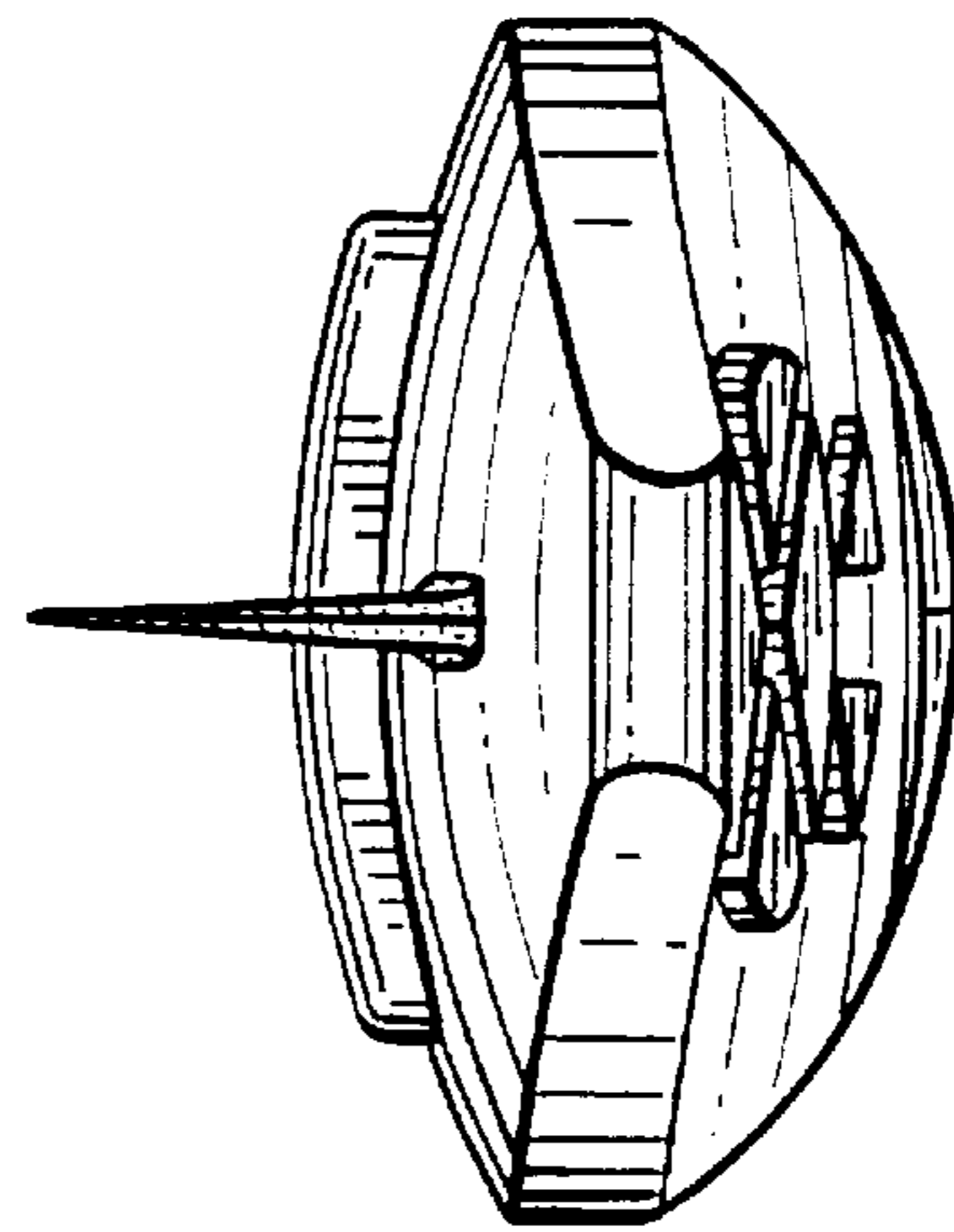


FIG. 5

FIG.6

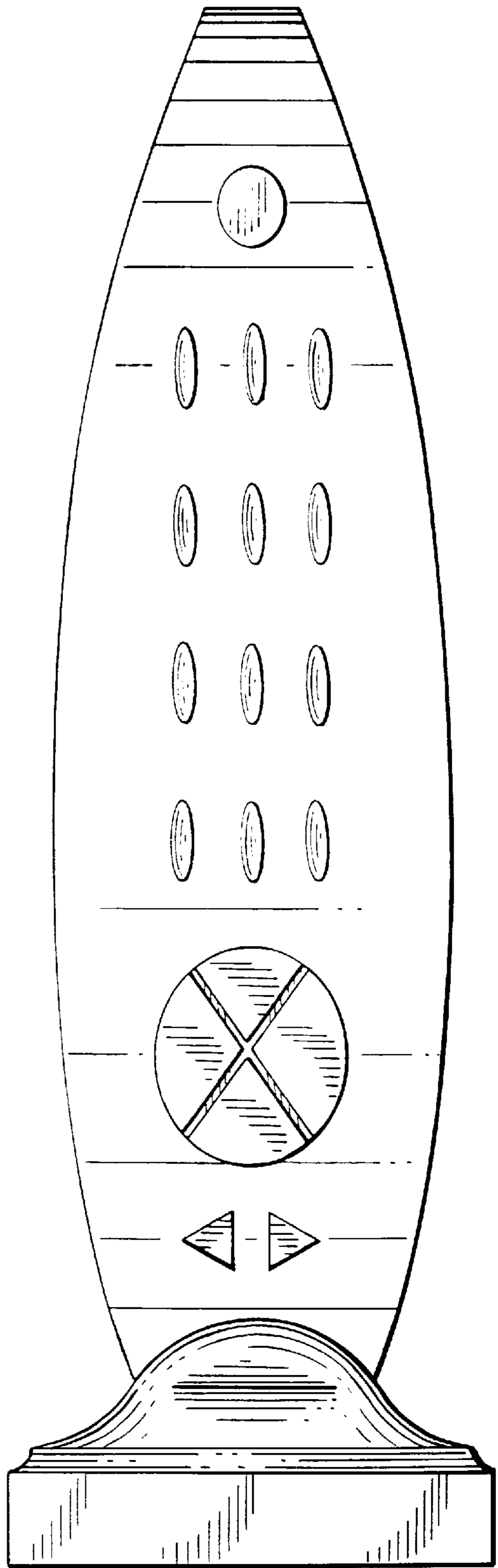


FIG.7

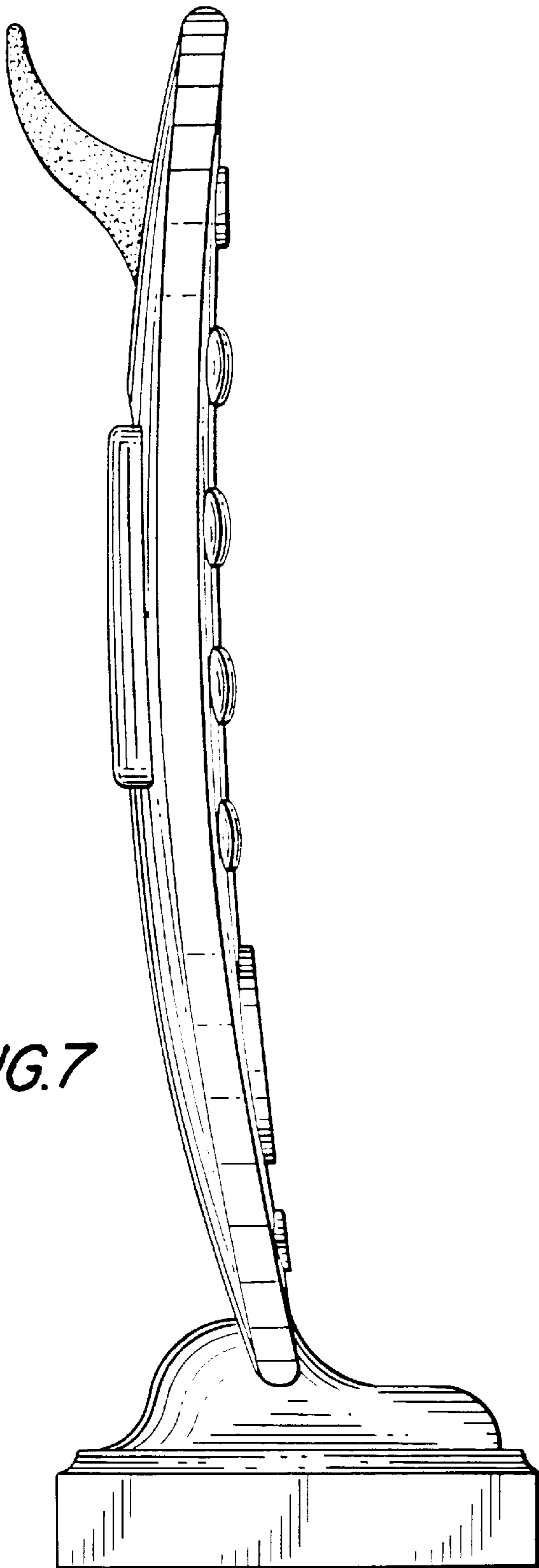


FIG. 8

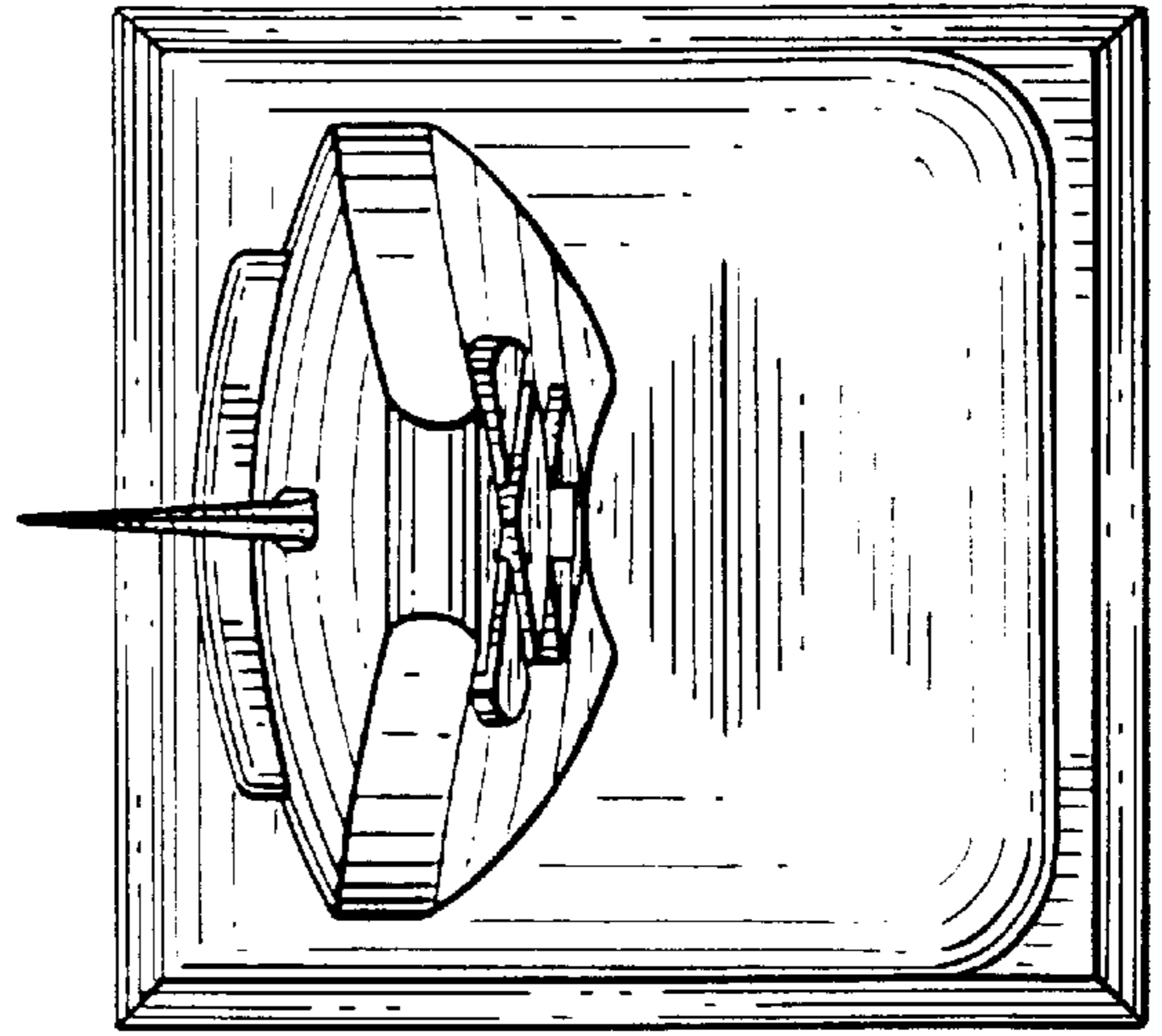


FIG. 9

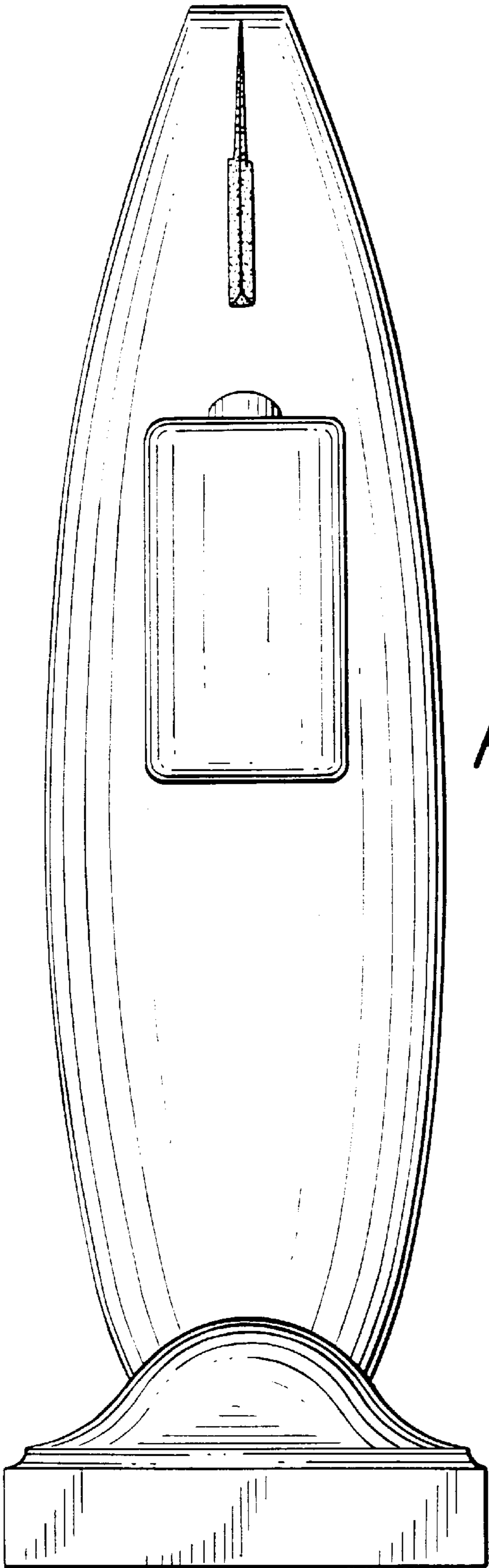


FIG. 10

