



US00D406139S

United States Patent [19]

Shimatsu et al.

[11] Patent Number: Des. 406,139

[45] Date of Patent: **Feb. 23, 1999

[54] **PORTABLE VOICE RECORDER**

[75] Inventors: **Scott T. Shimatsu**, Alhambra; **Cleve A. Graham**, Simi Valley; **Spencer L. Mackay**, Agoura Hills, all of Calif.

[73] Assignee: **Voice It Worldwide, Inc.**, Fort Collins, Colo.

[**] Term: **14 Years**

[21] Appl. No.: **75,015**

[22] Filed: **Aug. 11, 1997**

[51] **LOC (6) Cl.** **14-01**

[52] **U.S. Cl.** **D14/167**

[58] **Field of Search** D14/137, 160-165, D14/167, 168; 455/344, 347, 350, 351

[56] **References Cited**

U.S. PATENT DOCUMENTS

D. 318,666	7/1991	Mitsuse	D14/165
D. 346,602	5/1994	Robertson	D14/160 X
D. 371,554	7/1996	Shimatsu et al.	D14/160
D. 374,871	10/1996	Taniguchi	D14/160 X
4,199,724	4/1980	Kondo	455/344
4,287,568	9/1981	Lester	.	
4,668,117	5/1987	Dwyer et al.	.	
4,677,657	6/1987	Nagata et al.	.	
4,686,587	8/1987	Hipp et al.	.	

5,008,942	4/1991	Kikuchi	.
5,045,327	9/1991	Tarlow et al.	.
5,056,145	10/1991	Yamamoto et al.	.
5,217,379	6/1993	Kirschenbaum et al.	.

OTHER PUBLICATIONS

L.J. Stifelman, "VoiceNotes: An Application for a Voice-Controlled Hand-Held Computer," M.S. Thesis, Massachusetts Institute of Technology, Jun. 1992.

Primary Examiner—Ted Shooman
Assistant Examiner—Nanda Bondade
Attorney, Agent, or Firm—Merchant, Gould, Smith, Edell, Welter & Schmidt, P.A.

[57] **CLAIM**

The ornamental design for the portable voice recorder, as shown described.

DESCRIPTION

FIG. 1 is a front bottom and right perspective view of a portable voice recorder showing our new design; FIG. 2 is a front elevation view; FIG. 3 is a rear elevation view; FIG. 4 is a left side elevation view; FIG. 5 is a right side elevation view; FIG. 6 is a top plan view; and, FIG. 7 is a bottom plan view.

1 Claim, 4 Drawing Sheets

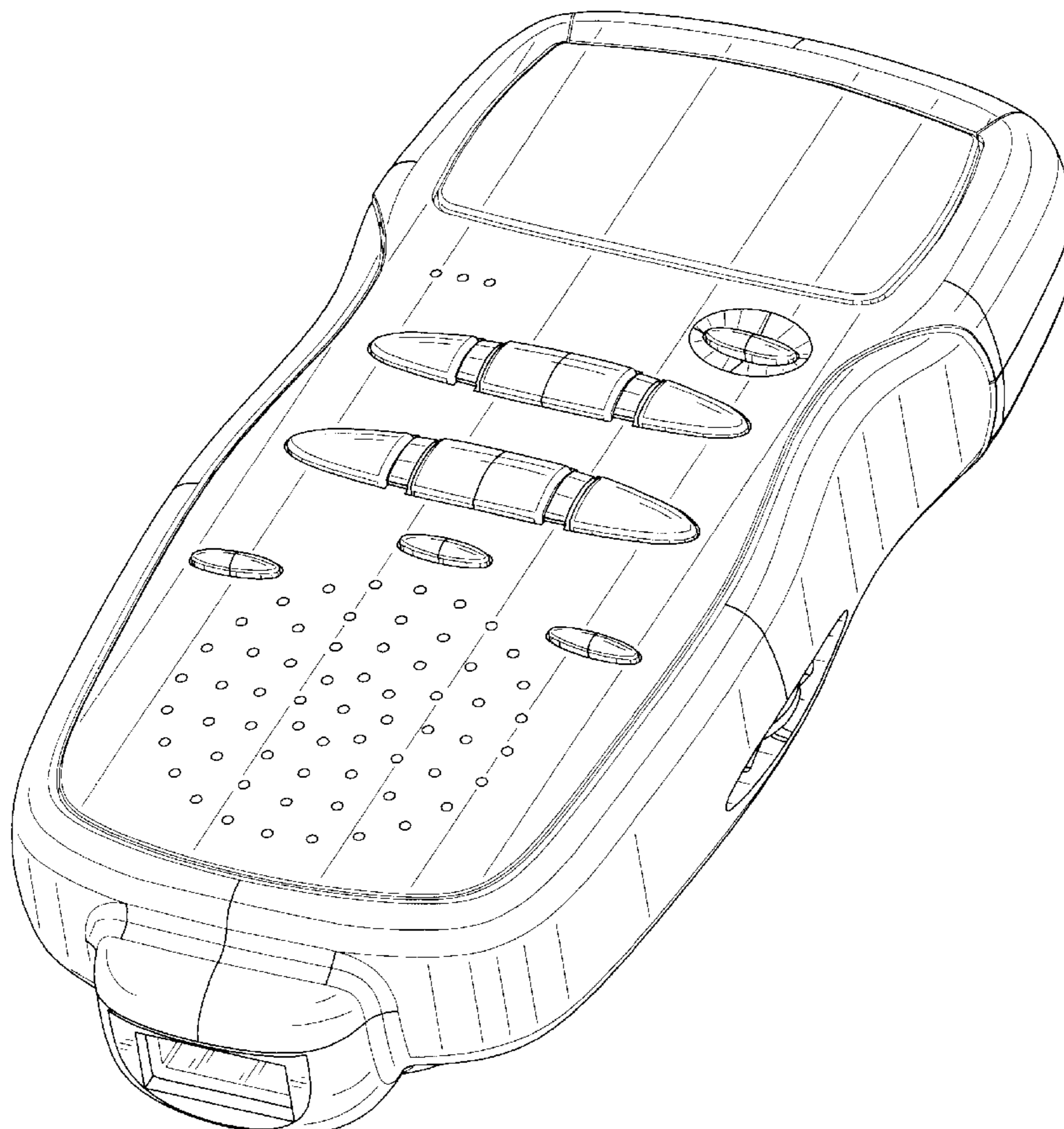


FIG. 1

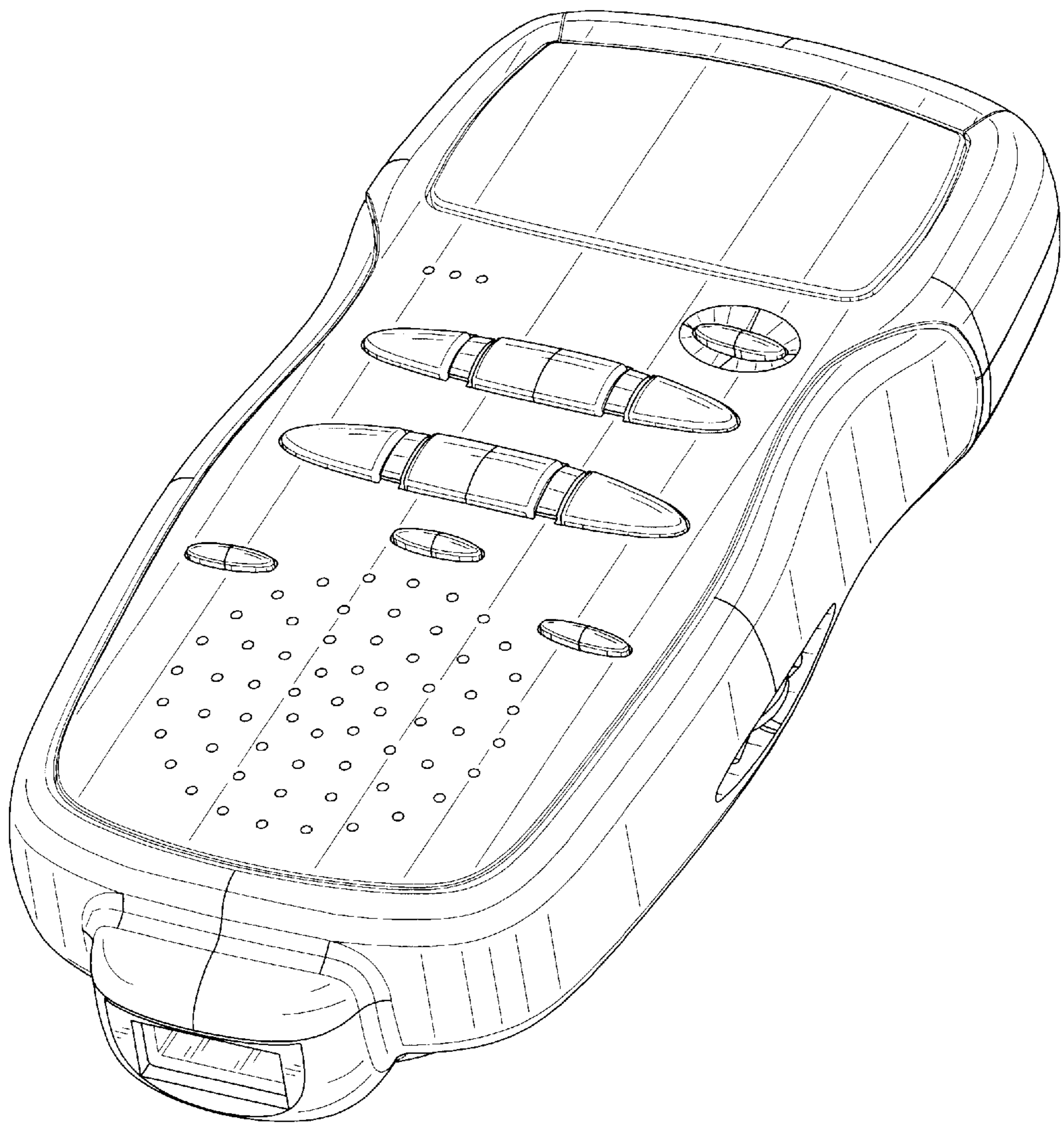


FIG. 2

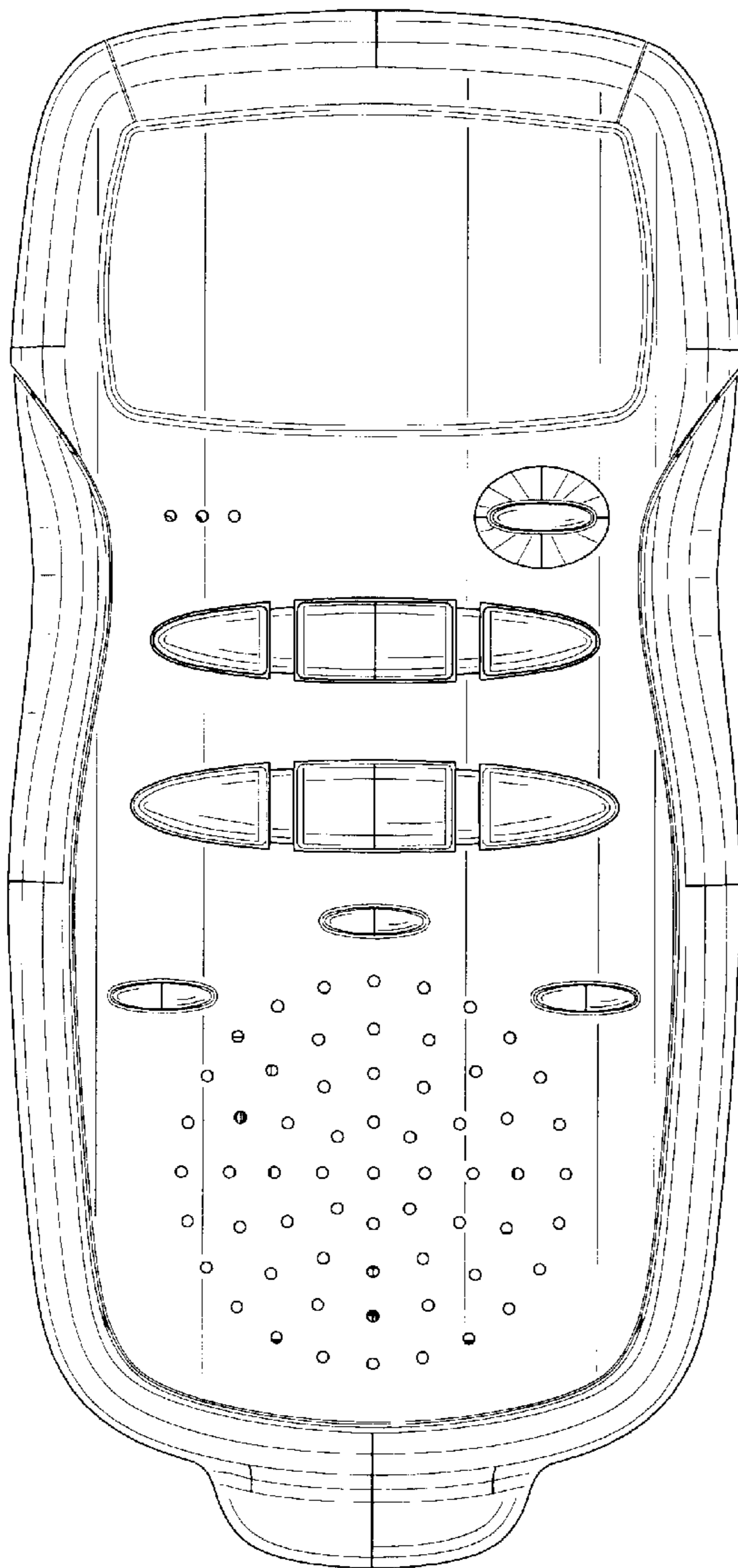


FIG. 3

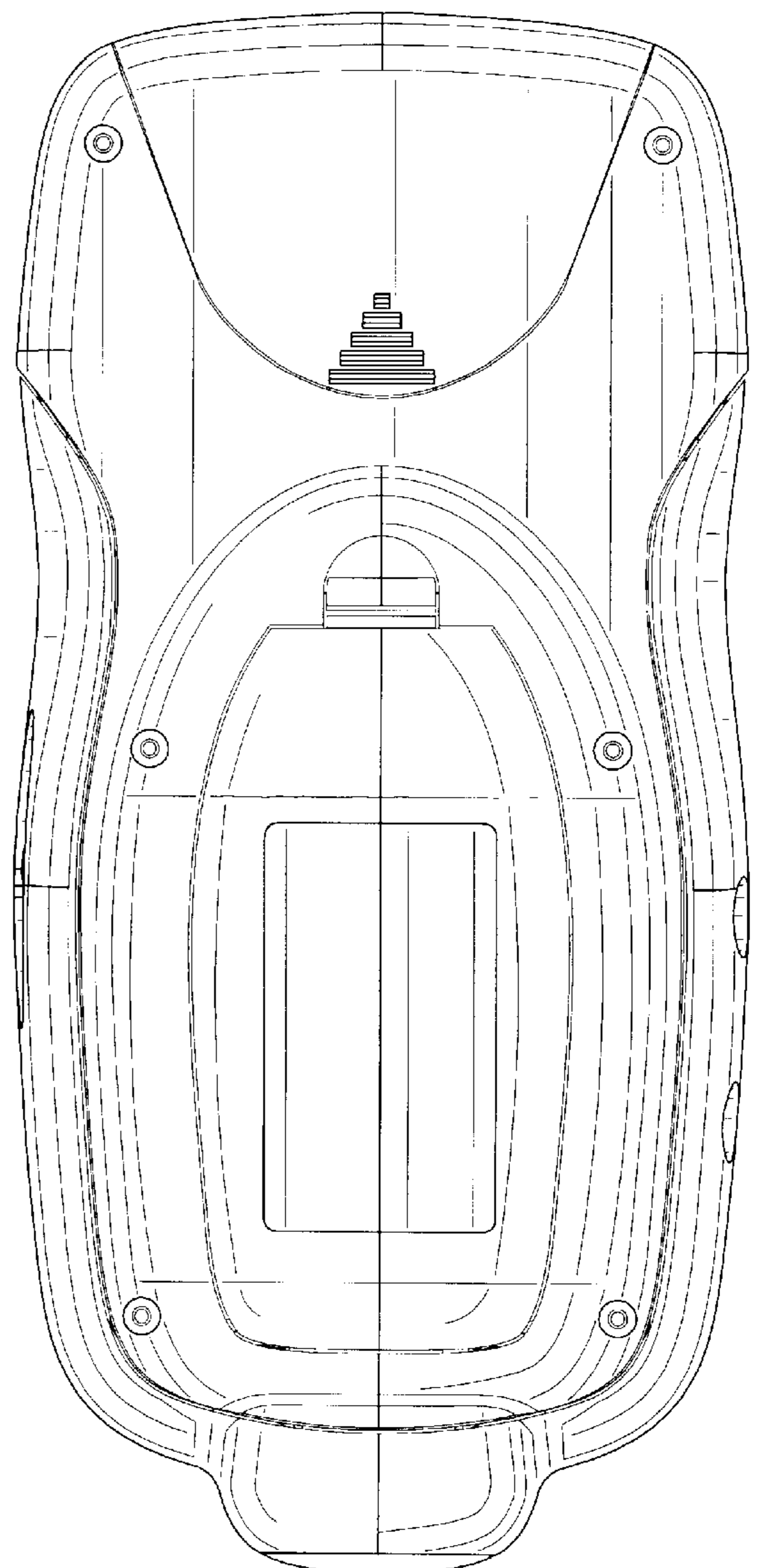


FIG. 4

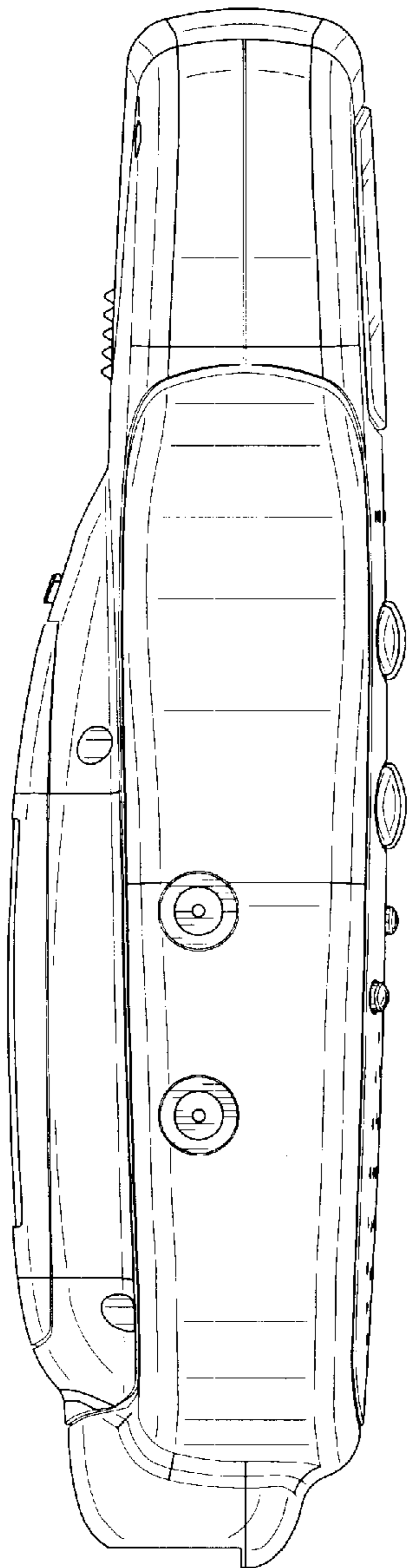


FIG. 5

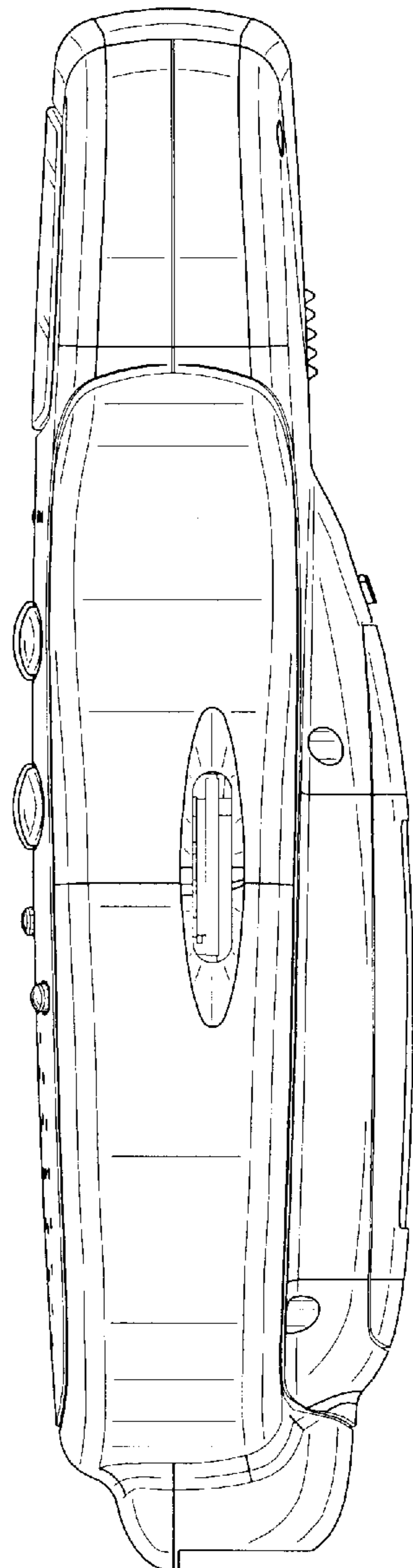


FIG. 6

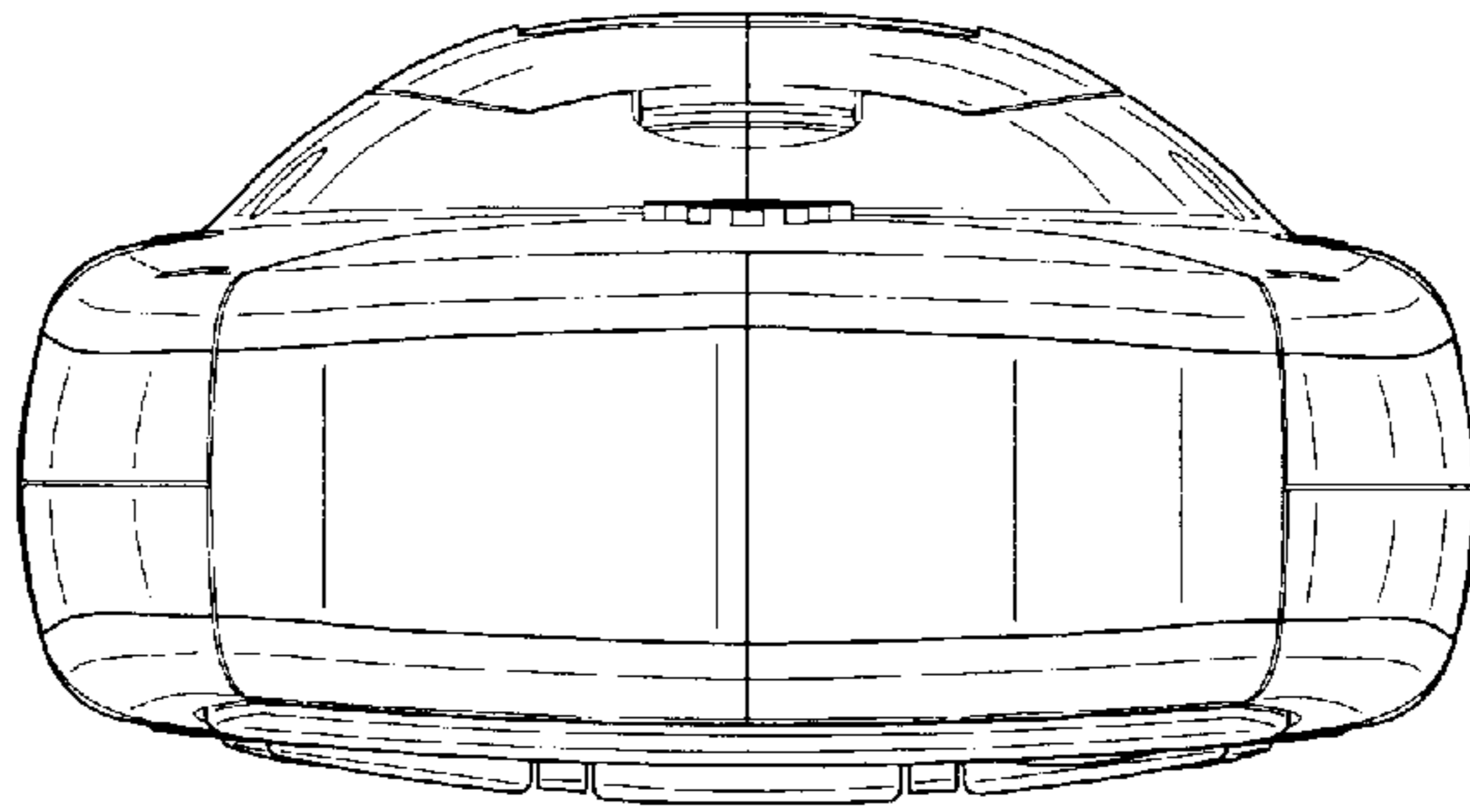


FIG. 7

