



US00D406129S

United States Patent [19] Renk

[11] **Patent Number: Des. 406,129**

[45] **Date of Patent: **Feb. 23, 1999**

[54] **TELEVISION NETWORK COMPUTER COMBINATION**

D. 379,805 6/1997 Ratzlaff D14/113
D. 384,947 10/1997 Barthelemy et al. D14/113

[75] Inventor: **Thomas Edward Renk**, Indianapolis, Ind.

Primary Examiner—Ted Shooman
Assistant Examiner—Richelle Shelton
Attorney, Agent, or Firm—Woodard, Emhardt, Naughton, Moriarty & McNett

[73] Assignee: **Thomson Consumer Electronics, Inc.**, Indianapolis, Ind.

[**] Term: **14 Years**

[57] **CLAIM**

The ornamental design for a television network computer combination, as shown and described.

[21] Appl. No.: **83,446**

[22] Filed: **Feb. 10, 1998**

DESCRIPTION

[51] **LOC (6) Cl. 14-03**

[52] **U.S. Cl. D14/129; D14/113; D14/126**

[58] **Field of Search D14/113, 124-134; 312/7.2; 348/836, 838; 345/905**

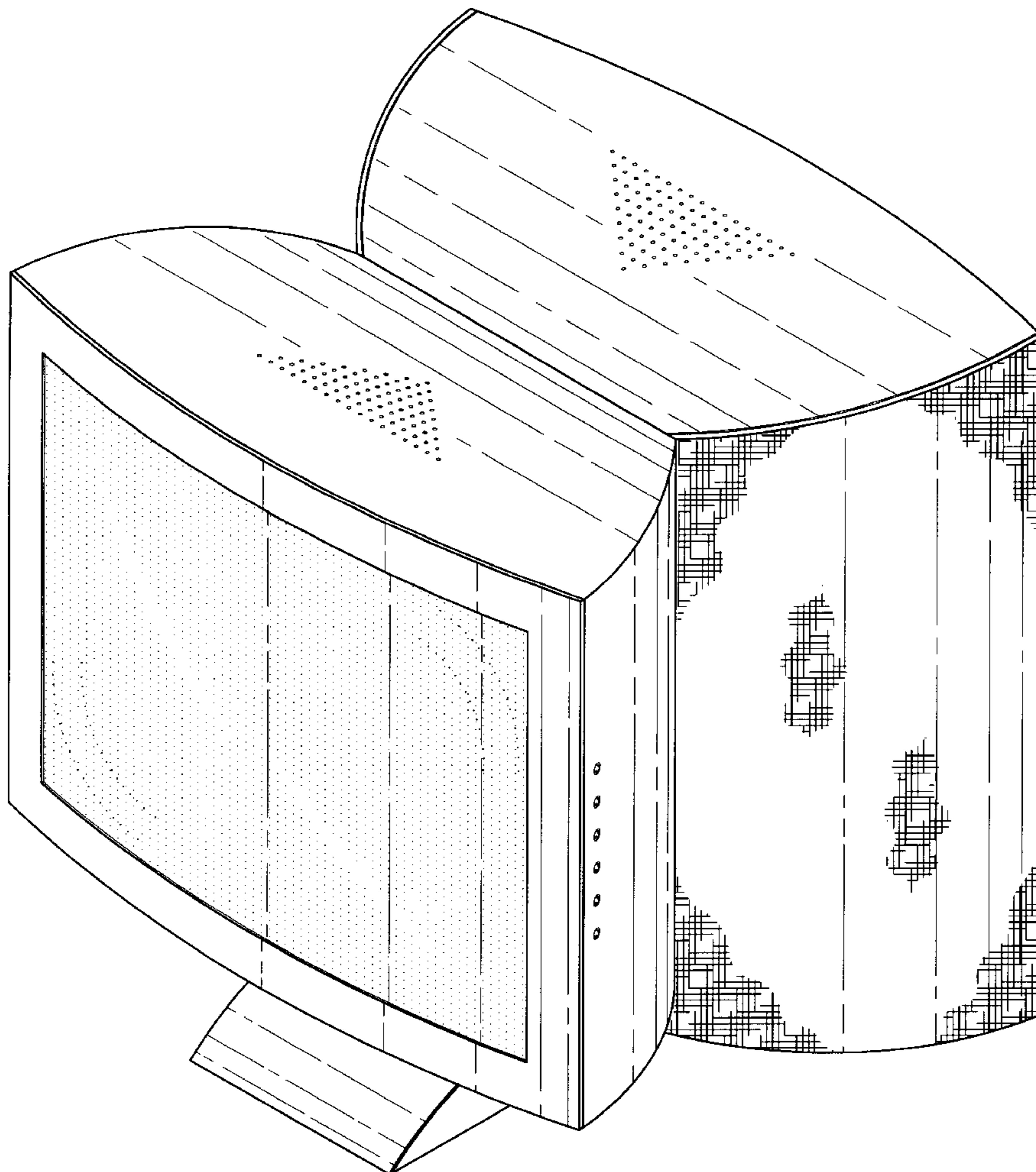
FIG. 1 is a front elevational view of a television network computer combination showing my new design; FIG. 2 is a rear elevational view thereof; FIG. 3 is a right side elevational view thereof; FIG. 4 is a left side elevational view thereof; FIG. 5 is a top plan view thereof; FIG. 6 is a bottom plan view thereof; and, FIG. 7 is a front, right side, and top perspective view thereof.

[56] **References Cited**

U.S. PATENT DOCUMENTS

D. 371,349 7/1996 Barthelemy et al. D14/113

1 Claim, 7 Drawing Sheets



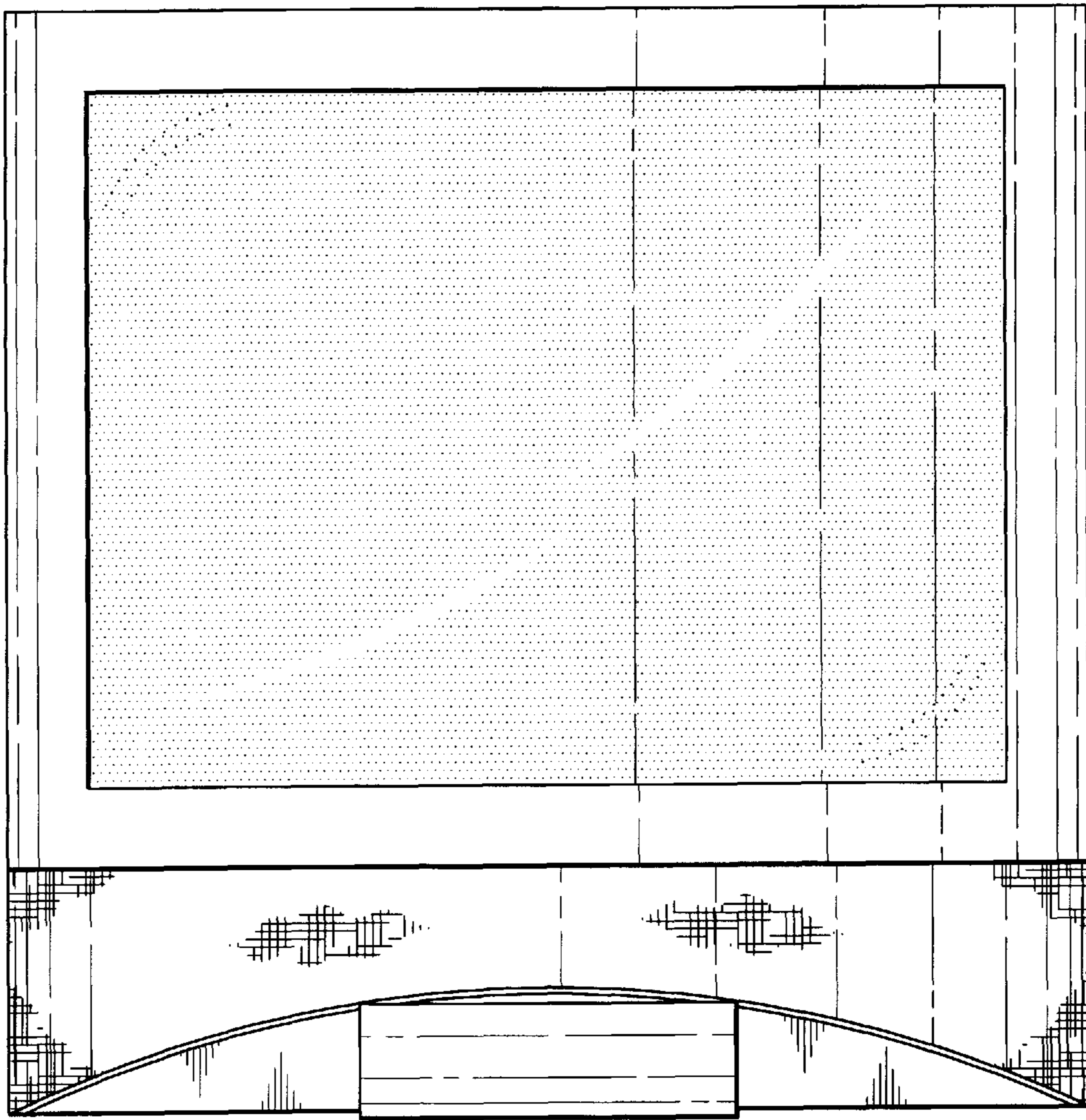


Fig. 1

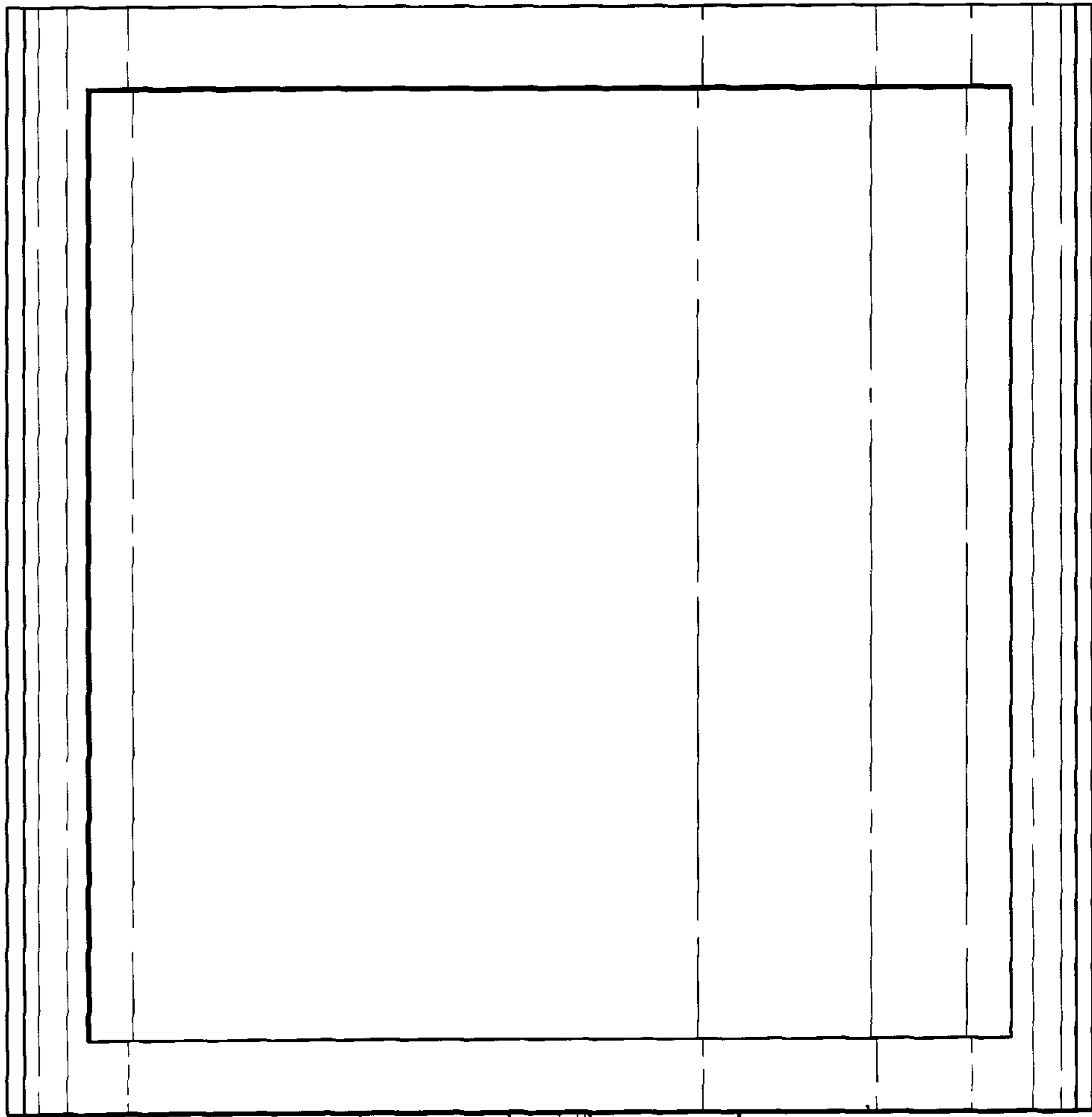


Fig. 2

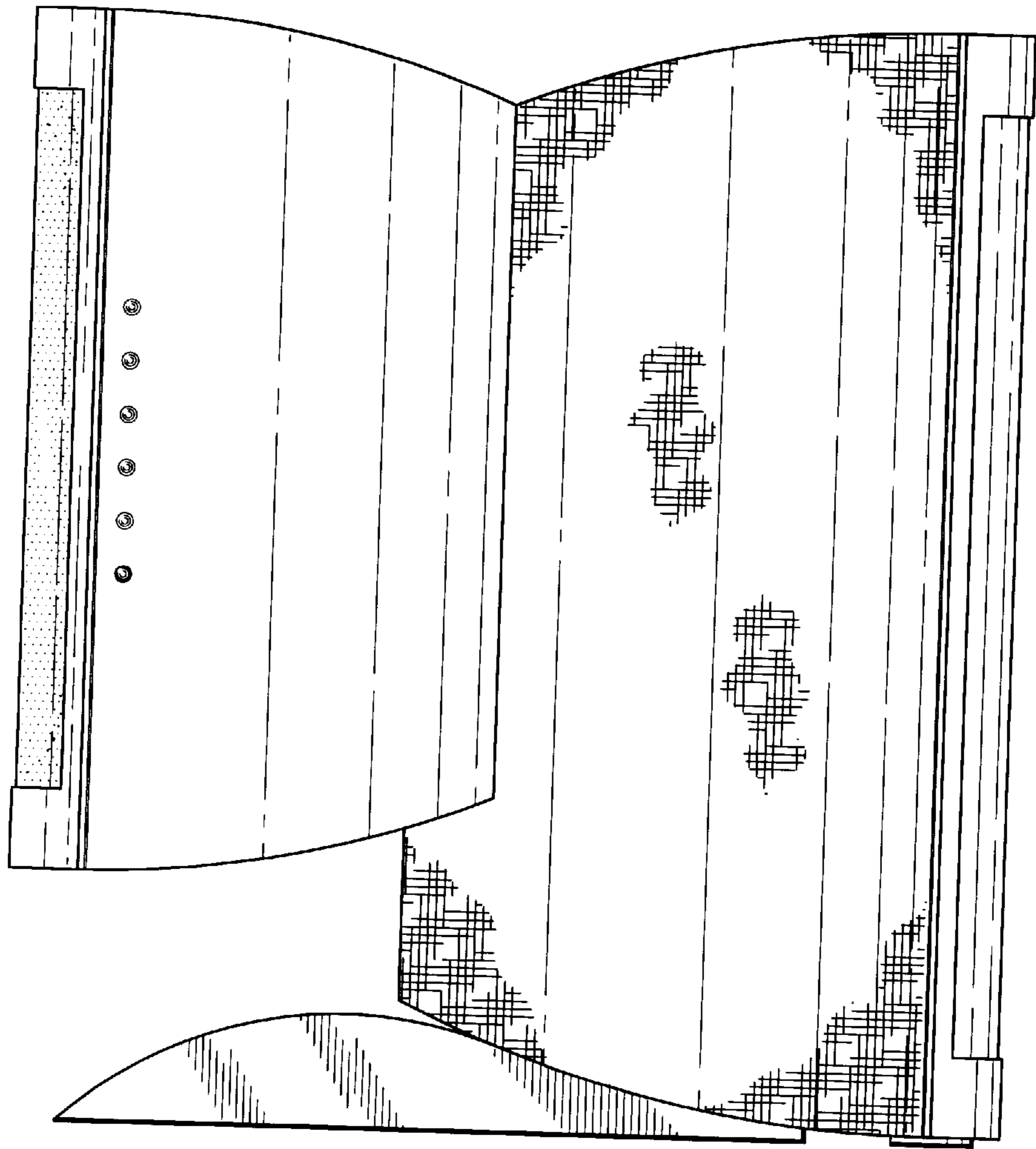


Fig. 3

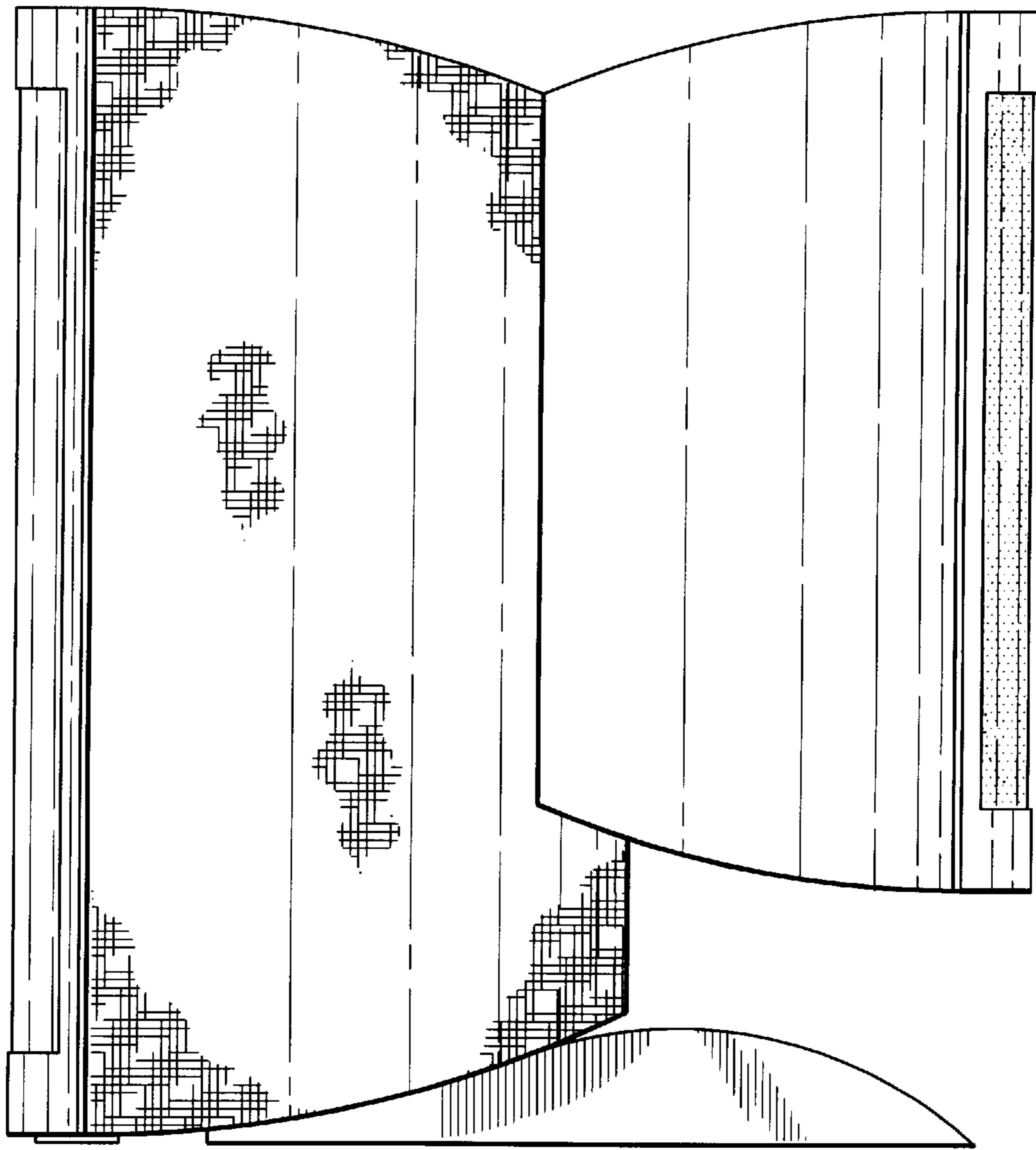


Fig. 4

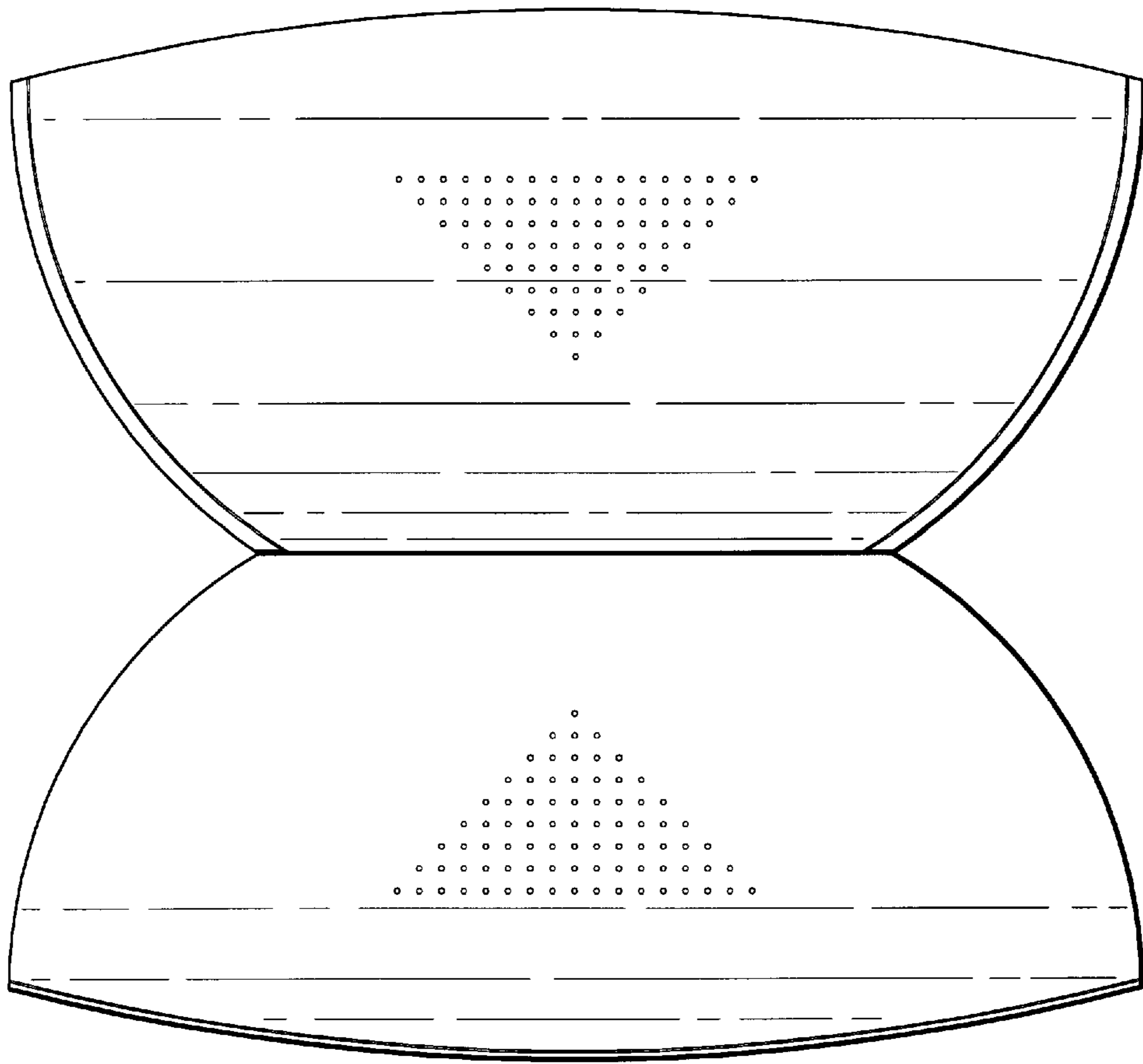


Fig. 5

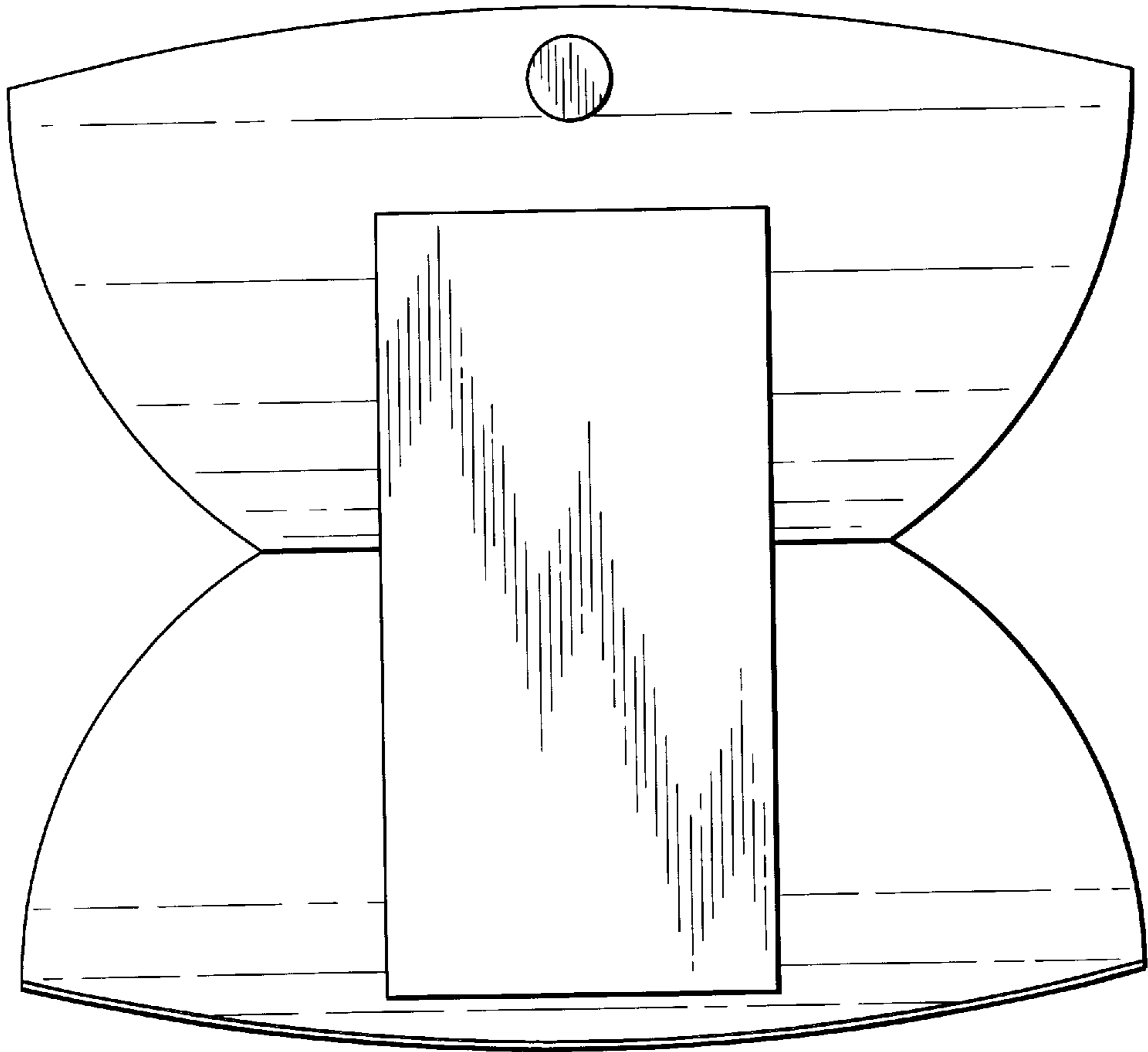


Fig. 6

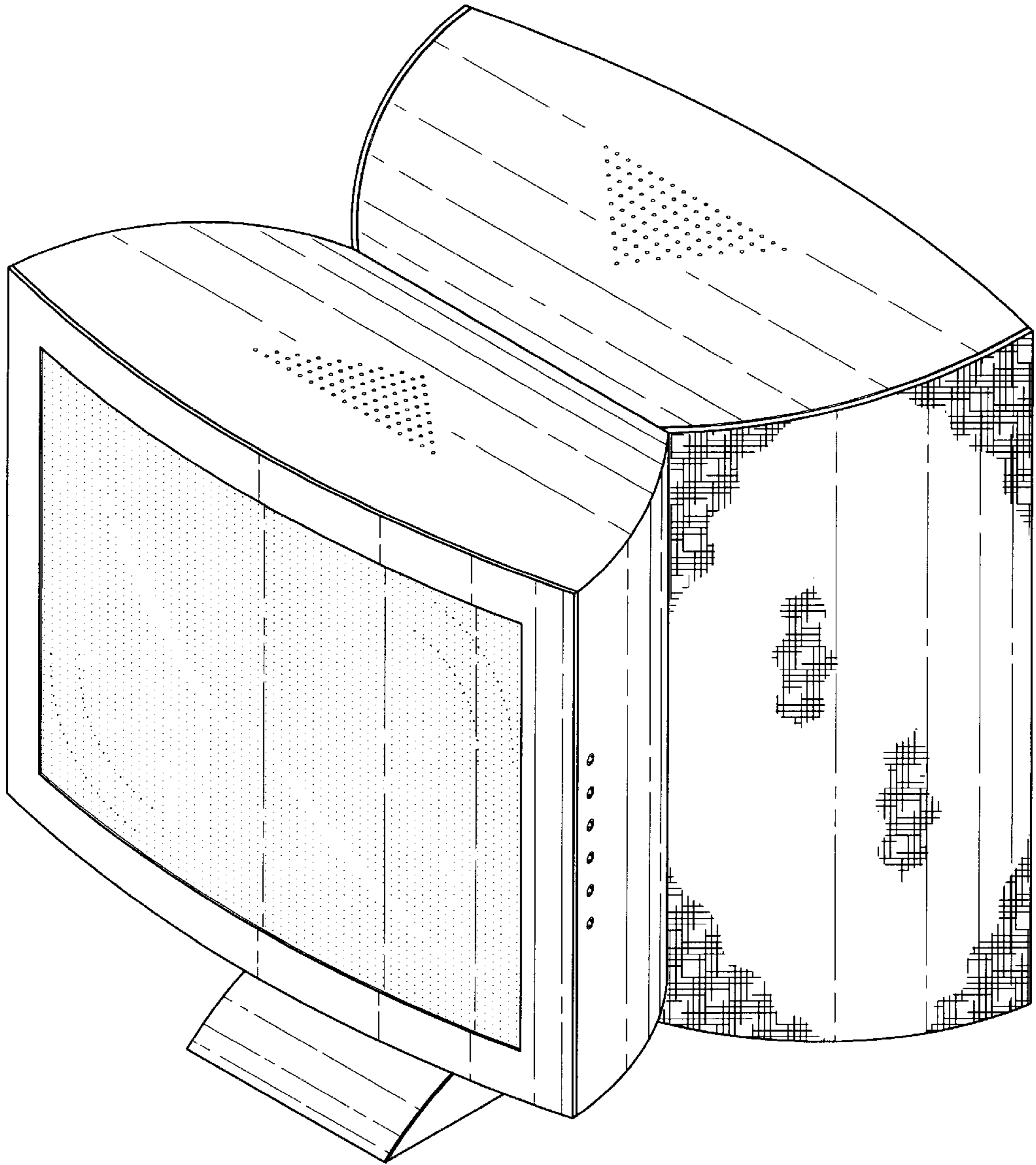


Fig. 7