



US00D406128S

# United States Patent [19]

Renk et al.

[11] Patent Number: **Des. 406,128**

[45] Date of Patent: **\*\*Feb. 23, 1999**

[54] **STEREO TELEVISION RECEIVER**

[75] Inventors: **Thomas Edward Renk**, Indianapolis;  
**Mark Allen Smith**, New Palestine, both  
of Ind.

[73] Assignee: **Thomson Consumer Electronics, Inc.**,  
Indianapolis, Ind.

[\*\*] Term: **14 Years**

[21] Appl. No.: **80,265**

[22] Filed: **Dec. 3, 1997**

[51] **LOC (6) Cl.** ..... **14-03**

[52] **U.S. Cl.** ..... **D14/126**

[58] **Field of Search** ..... D14/113, 124-134;  
312/7.2; 348/836, 838

- D. 350,346 9/1994 Takemasa et al. .... D14/126
- D. 352,027 11/1994 Renk ..... D14/126
- D. 371,551 7/1996 Renk ..... D14/113
- D. 371,552 7/1996 Akiyama et al. .... D14/129
- D. 372,026 7/1996 Akiyama et al. .... D14/126
- D. 376,798 12/1996 Renk ..... D14/113

*Primary Examiner*—Ted Shooman  
*Assistant Examiner*—Richelle Shelton  
*Attorney, Agent, or Firm*—Woodard, Emhardt, Naughton,  
Moriarty & McNett

## [57] CLAIM

The ornamental design for a stereo television receiver, as shown and described.

## DESCRIPTION

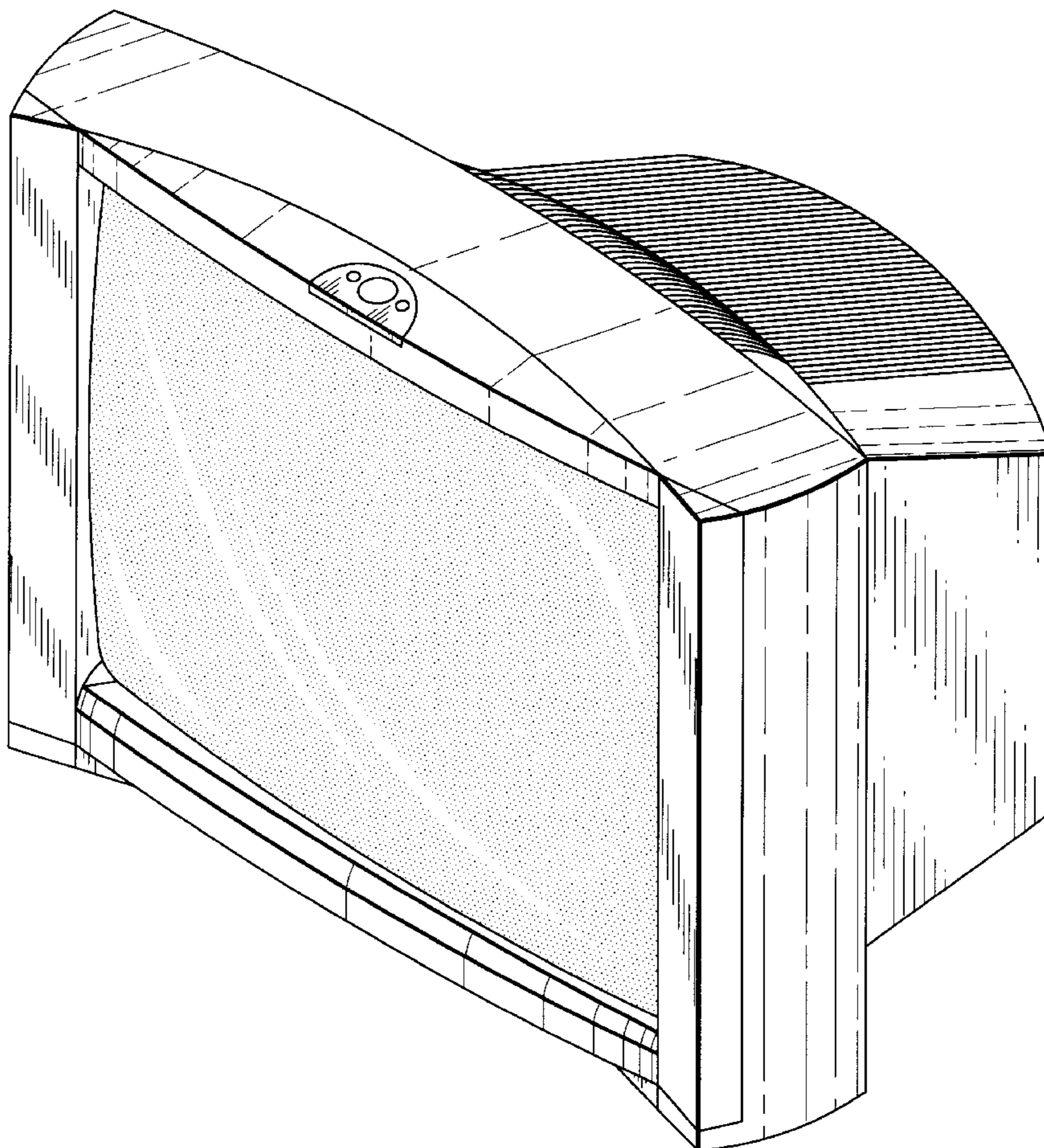
FIG. 1 is a front elevational view of a stereo television receiver showing our new design;  
FIG. 2 is a right, rear, and top perspective view thereof;  
FIG. 3 is a right side elevational view thereof;  
FIG. 4 is a left side elevational view thereof;  
FIG. 5 is a top elevational view thereof;  
FIG. 6 is a bottom elevational view thereof; and,  
FIG. 7 is a front, right, and top perspective view thereof.

**1 Claim, 7 Drawing Sheets**

## [56] References Cited

### U.S. PATENT DOCUMENTS

- D. 246,713 12/1977 Becker et al. .... D14/126
- D. 316,260 4/1991 Renk, Jr. .... D14/113
- D. 317,304 6/1991 Renk, Jr. .... D14/126
- D. 322,433 12/1991 Renk, Jr. et al. .... D14/133
- D. 338,667 8/1993 Renk, Jr. .... D14/113
- D. 348,456 7/1994 Renk, Jr. .... D14/126



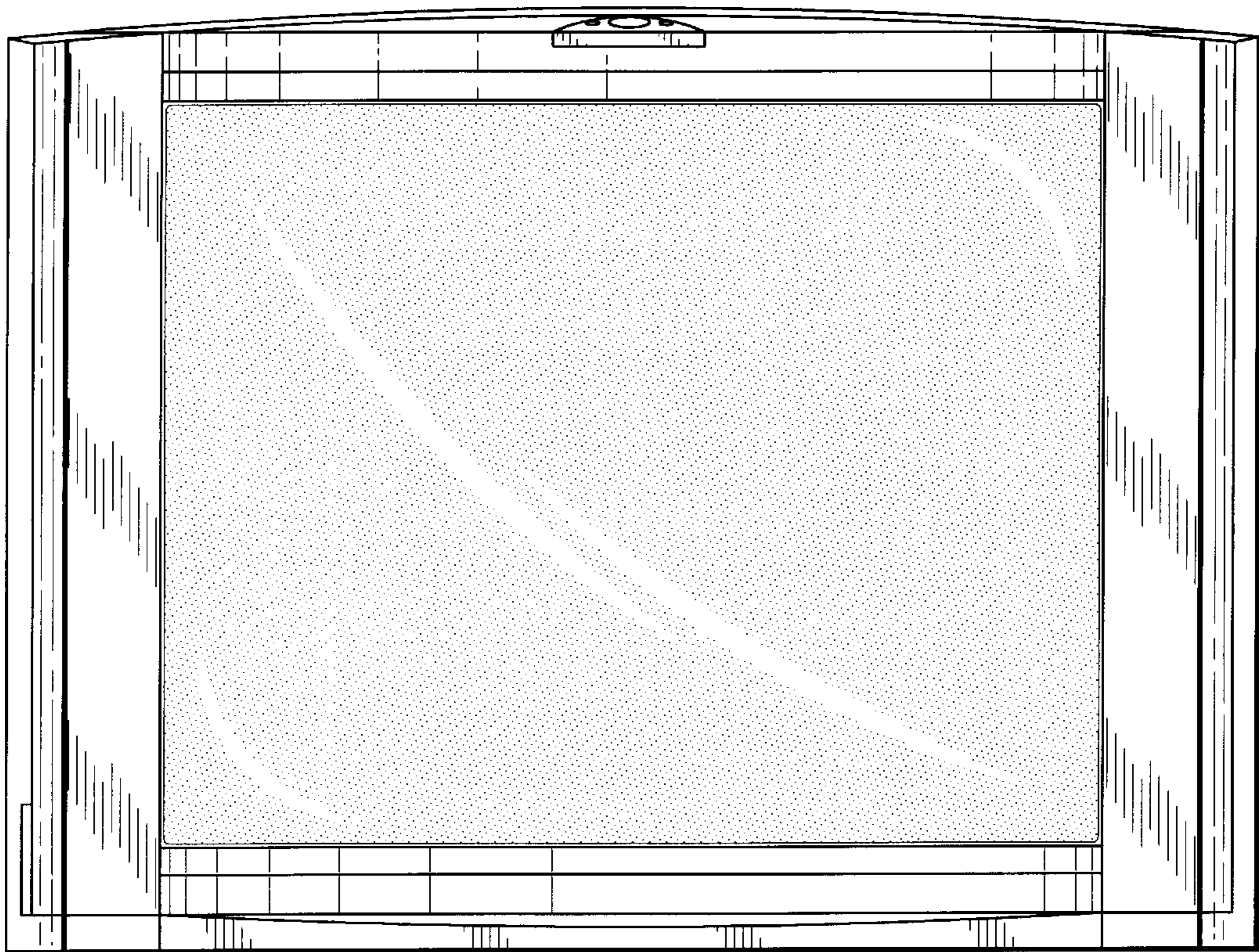


Fig. 1



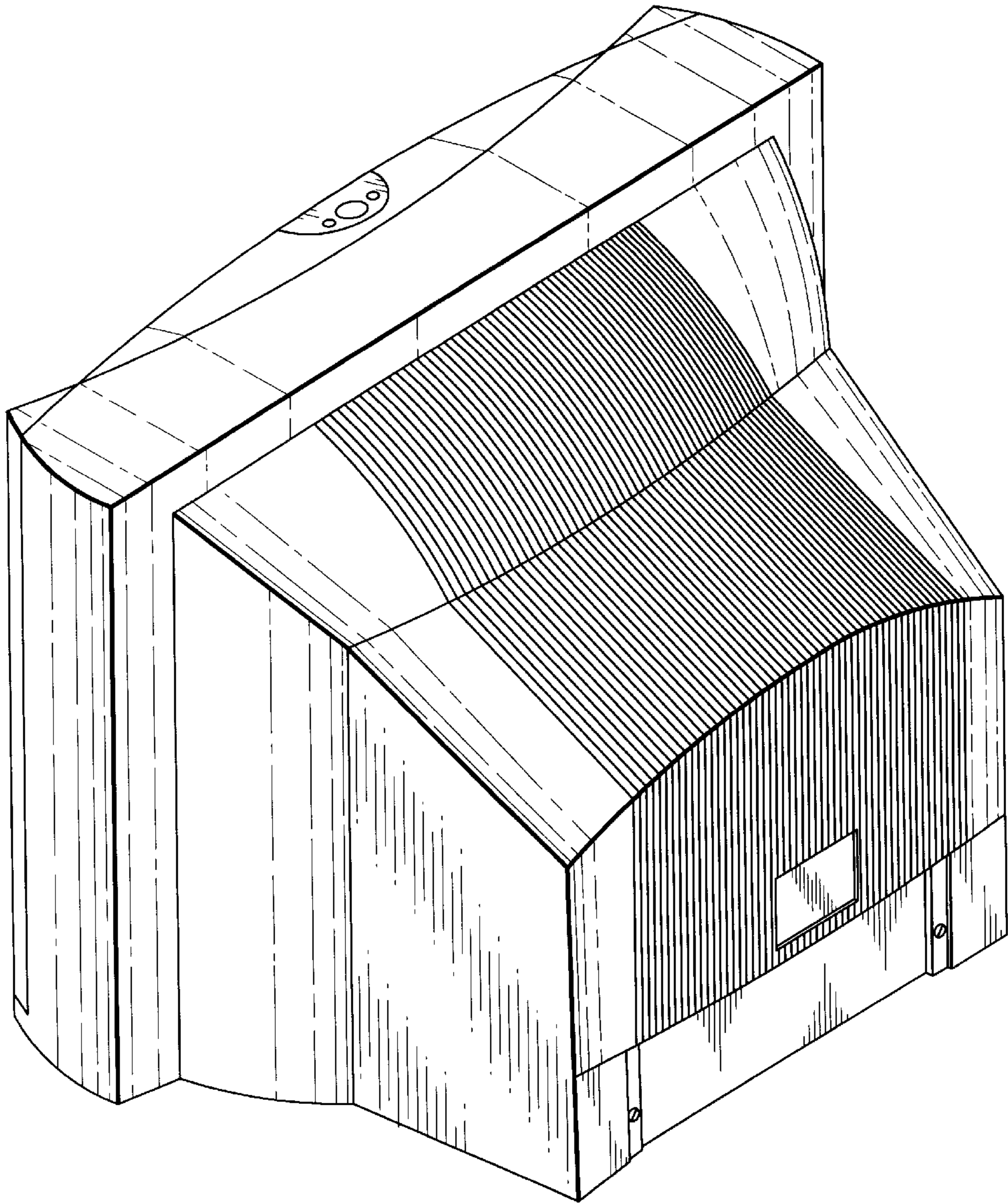


Fig. 2

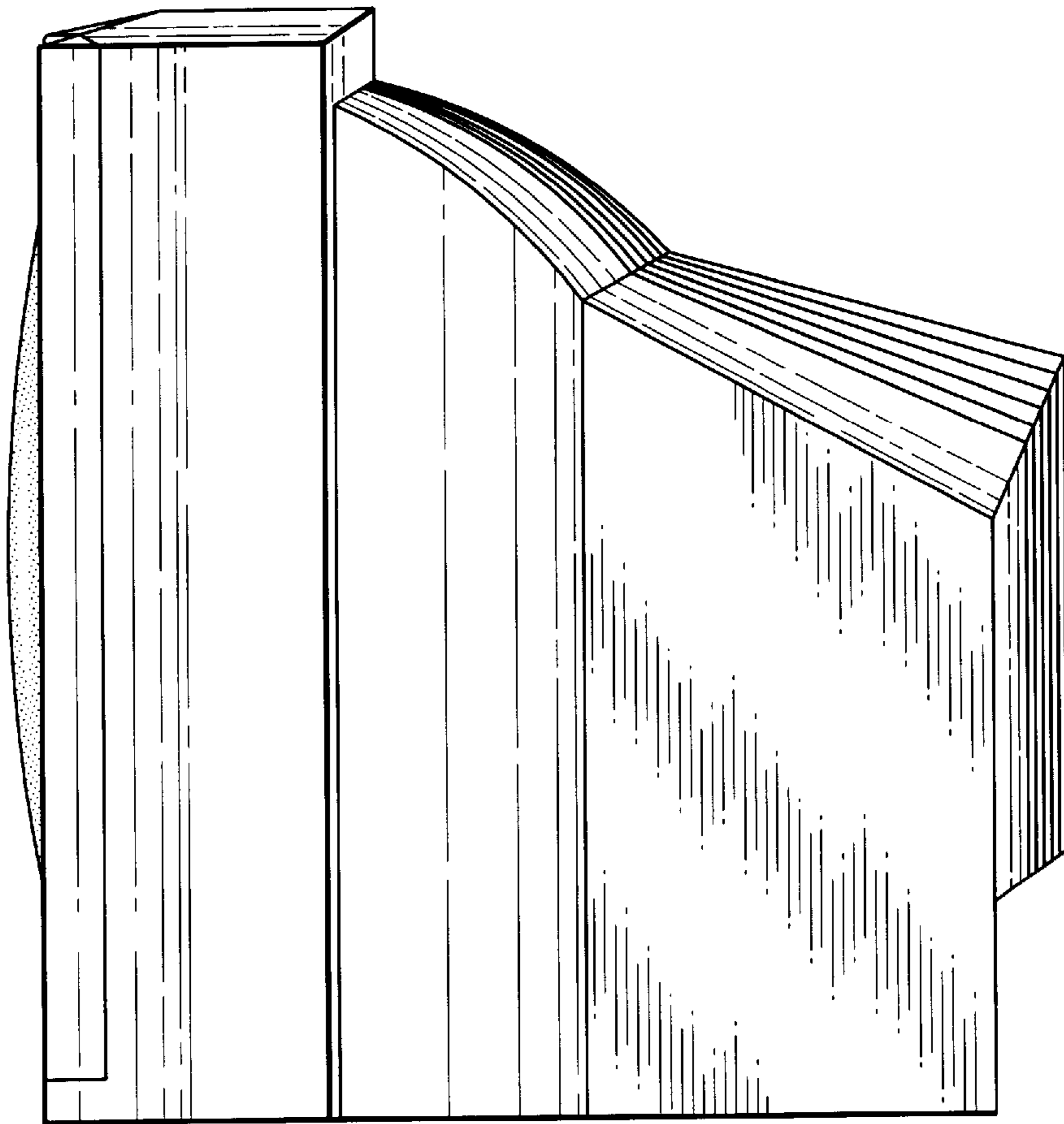


Fig. 3

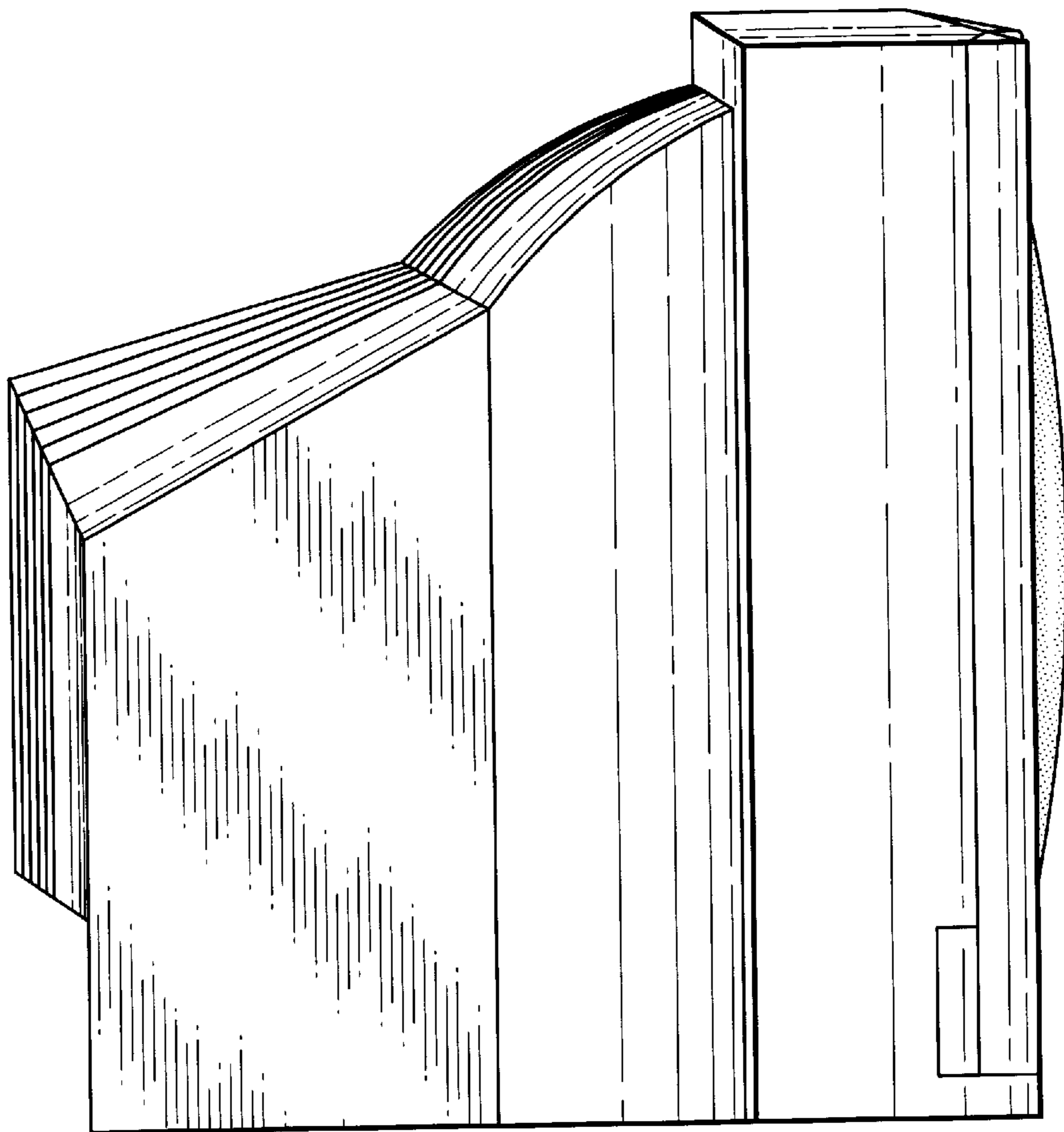


Fig. 4

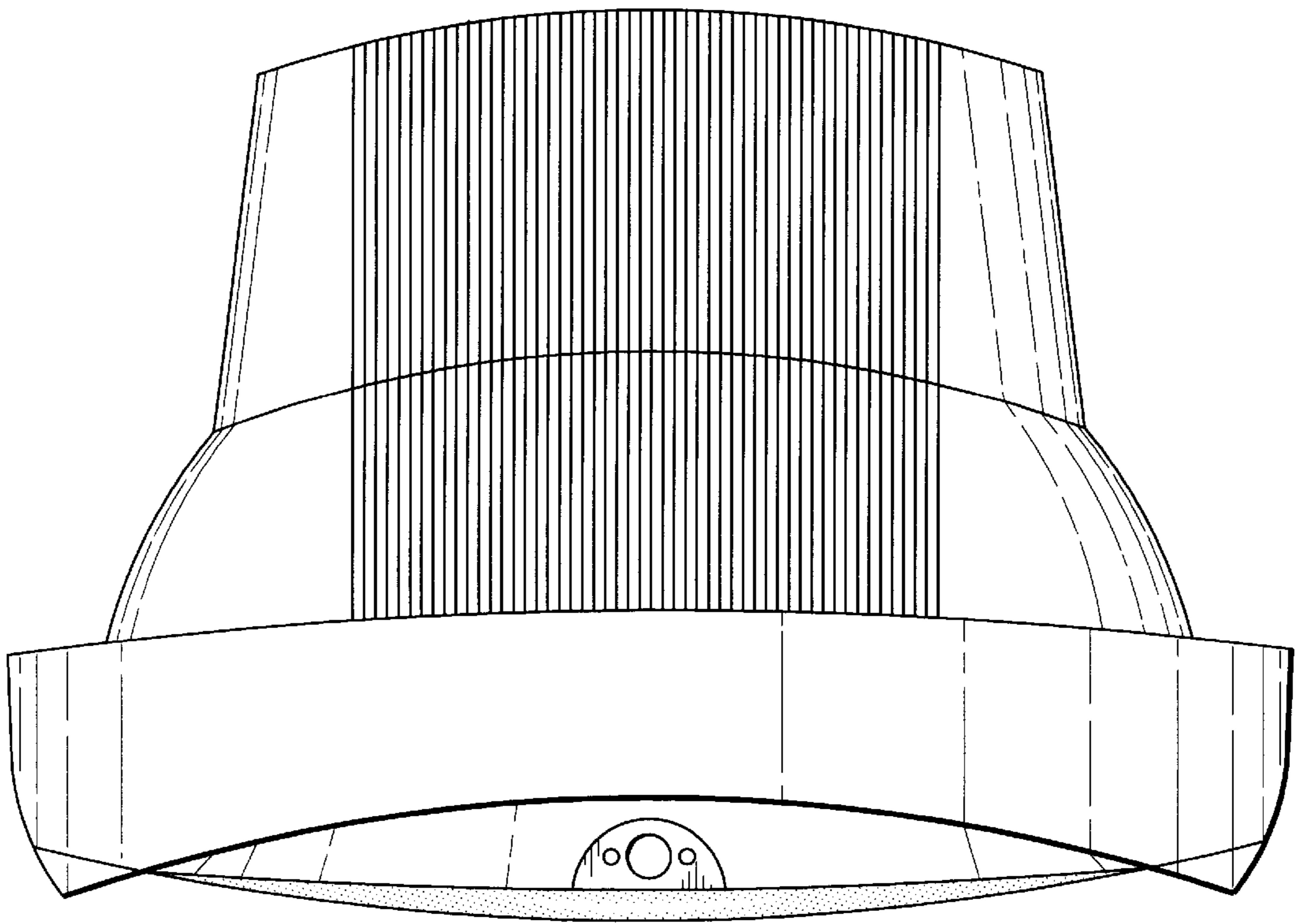


Fig. 5

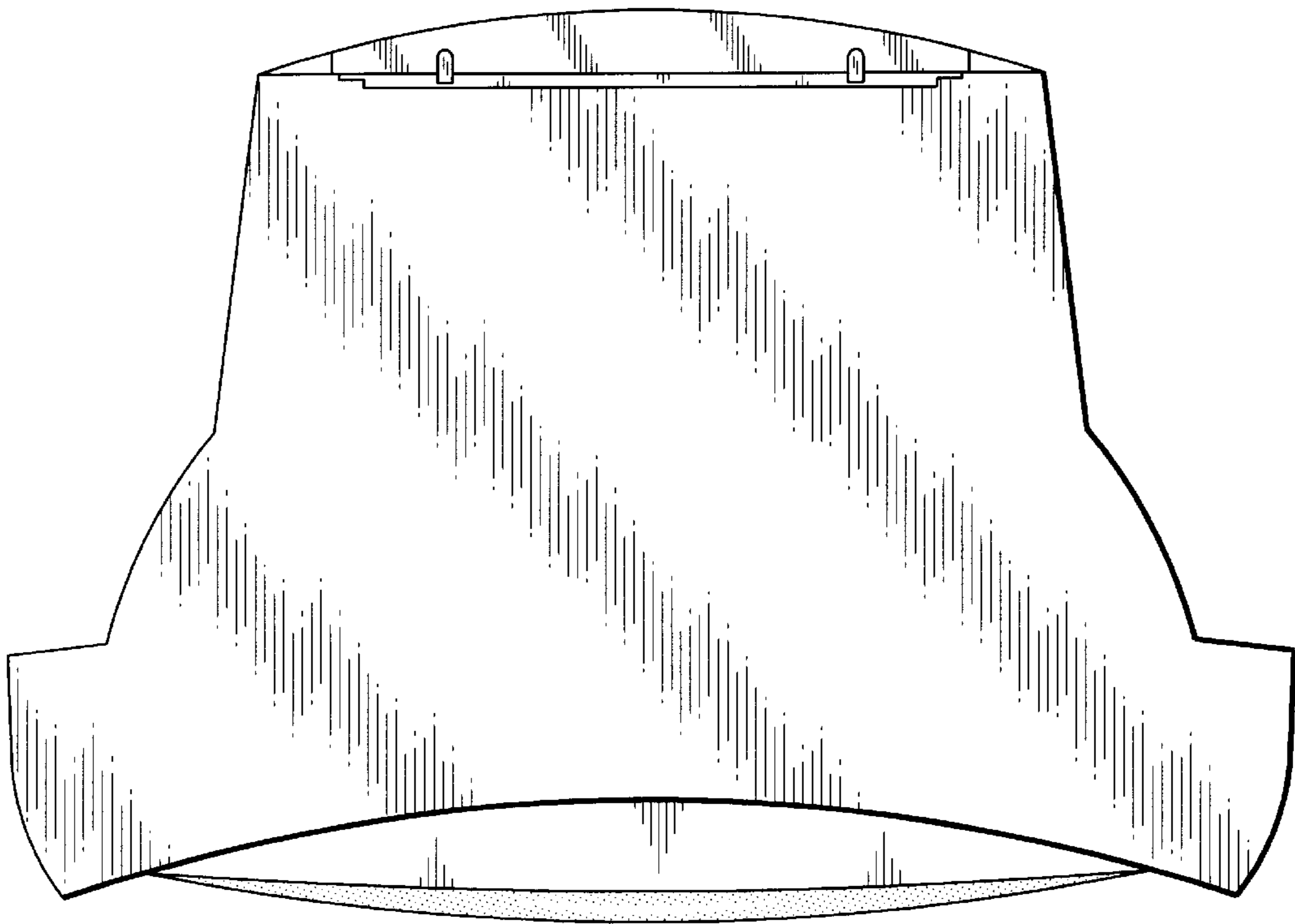


Fig. 6

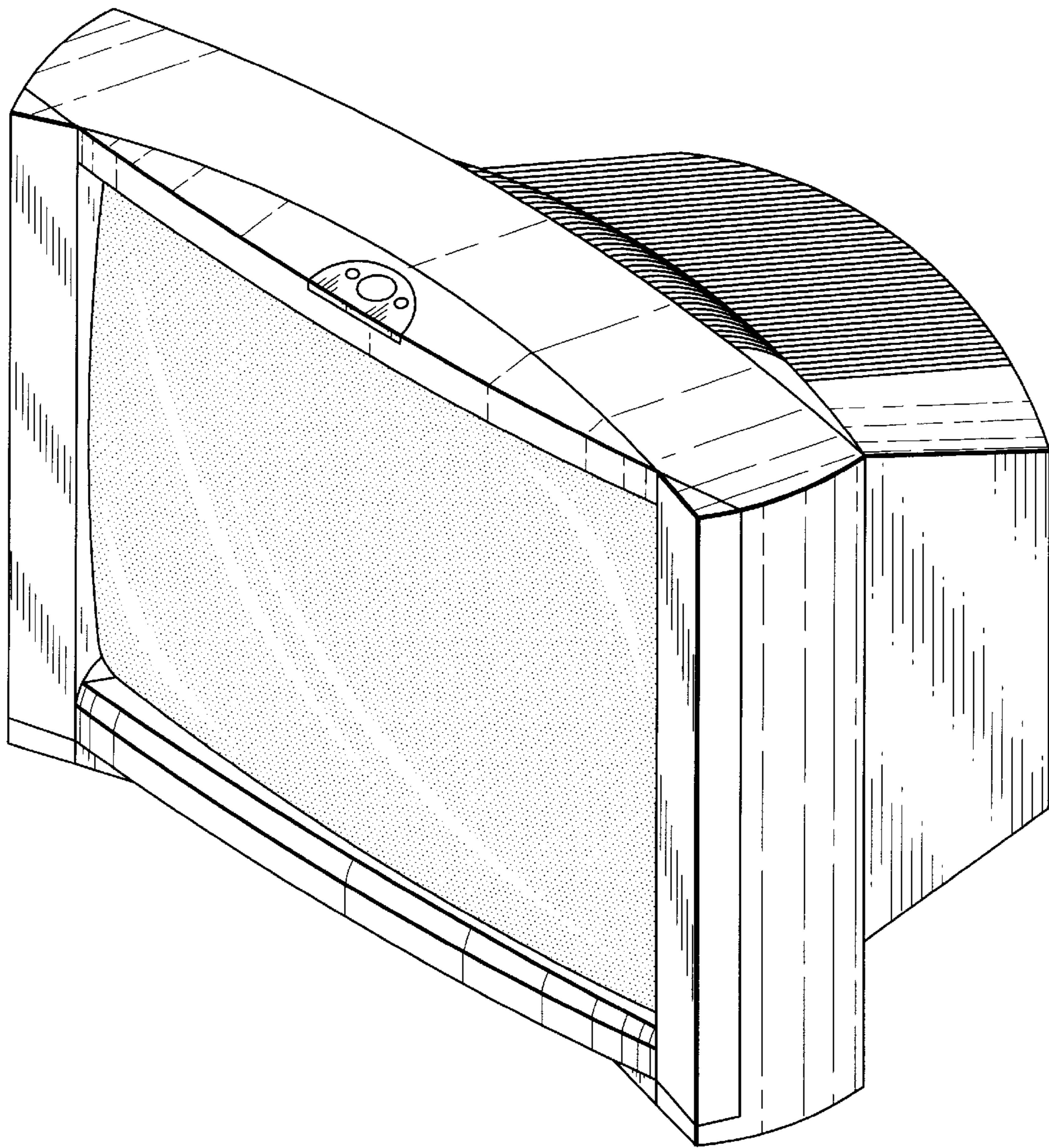


Fig. 7