

US00D406124S

# United States Patent [19]

Newton et al.

[11] Patent Number: **Des. 406,124**

[45] Date of Patent: **\*\*Feb. 23, 1999**

[54] **ICON FOR A COMPUTER SCREEN**

[75] Inventors: **James W. Newton**, Belmont; **Larry M. Hoffman**, Mountain View, both of Calif.

[73] Assignee: **Sun Microsystems, Inc.**, Palo Alto, Calif.

[\*\*] Term: **14 Years**

[21] Appl. No.: **75,371**

[22] Filed: **Aug. 18, 1997**

D. 388,419 12/1997 Polson et al. .... D14/114.4  
 D. 388,425 12/1997 Newton et al. .... D14/114.9  
 D. 393,845 4/1998 Wanishi et al. .... D14/114.3  
 D. 396,456 7/1998 Bier ..... D14/114.3  
 D. 396,709 8/1998 Bier ..... D14/114.3  
 D. 397,101 8/1998 Bier ..... D14/114.3  
 D. 398,001 9/1998 Bohnert et al. .... D14/114.3

*Primary Examiner*—M. H. Tung  
*Attorney, Agent, or Firm*—Erwin J. Basinski; Patrick J. S. Inouye

### Related U.S. Application Data

[62] Division of Ser. No. 52,185, Mar. 25, 1996, Pat. No. Des. 389,471.

[51] **LOC (6) Cl.** ..... **14-02**

[52] **U.S. Cl.** ..... **D14/114.9**

[58] **Field of Search** ..... D14/114, 114.1–114.9; D18/24, 27; D10/11; D19/6; 345/326, 339–40, 347–57; D21/324–33

### [57] CLAIM

The ornamental design for a icon for a computer screen, as shown and described.

### DESCRIPTION

FIG. 1 is a front perspective view of an icon for a computer screen comprising the present invention, the broken line drawing of a computer screen is for illustrative purposes only and forms no part of the claimed design; and,

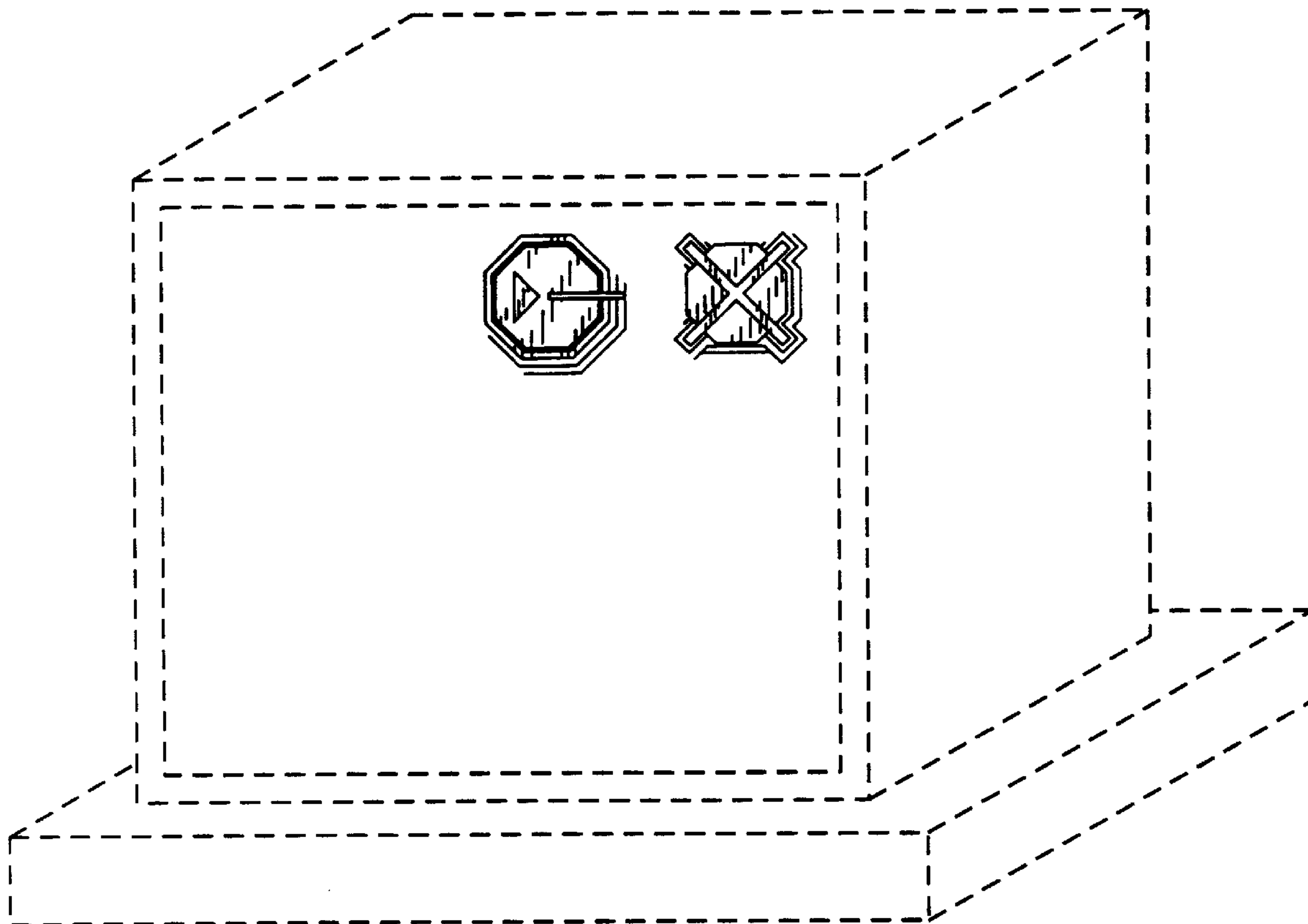
FIG. 2 is a front view thereof, on an enlarged scale, the broken line drawing of a computer screen is for illustrative purposes only and forms no part of the claimed design.

### [56] References Cited

#### U.S. PATENT DOCUMENTS

D. 386,477 11/1997 Thomas ..... D14/114.3

**1 Claim, 2 Drawing Sheets**



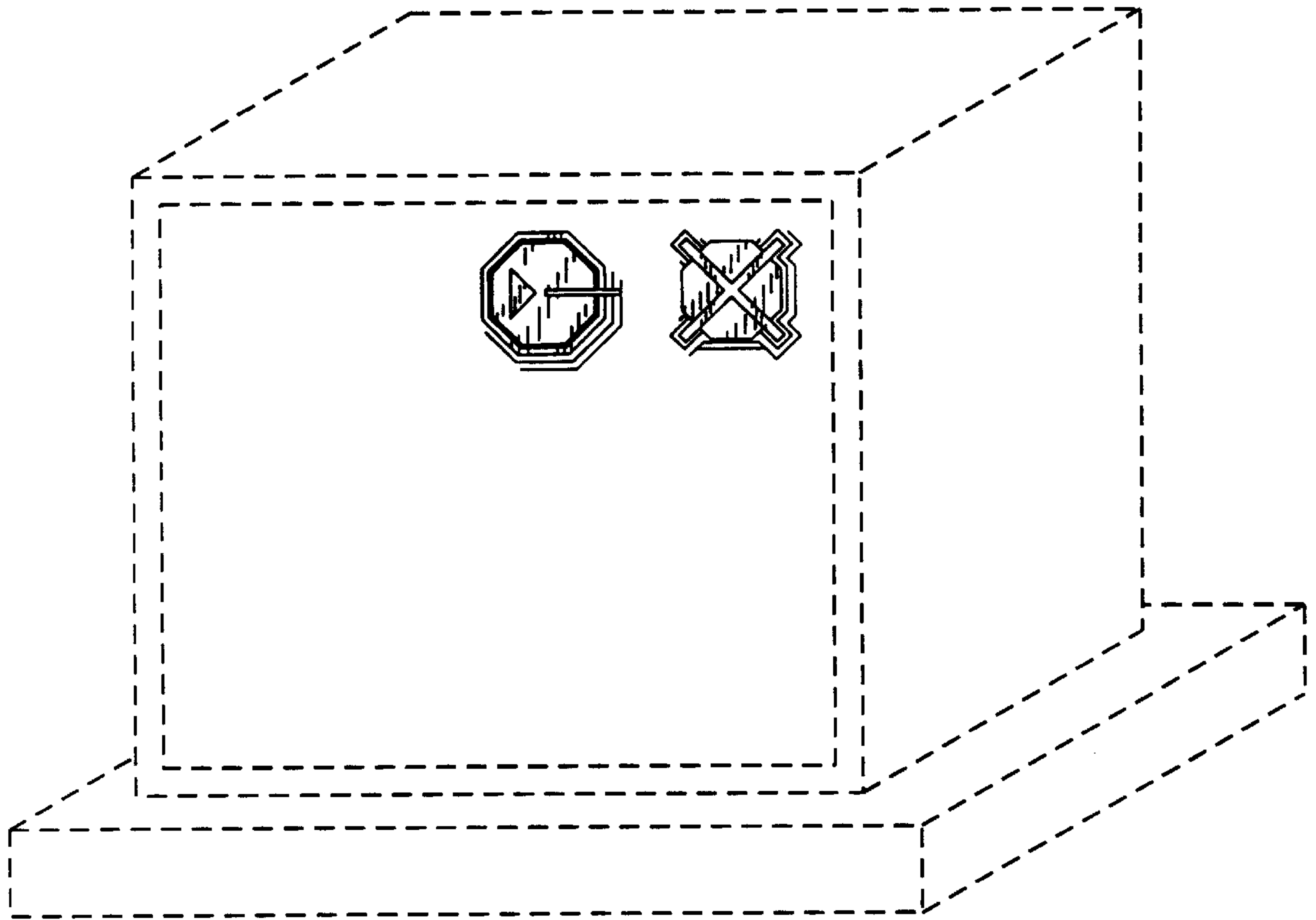


FIG. 1

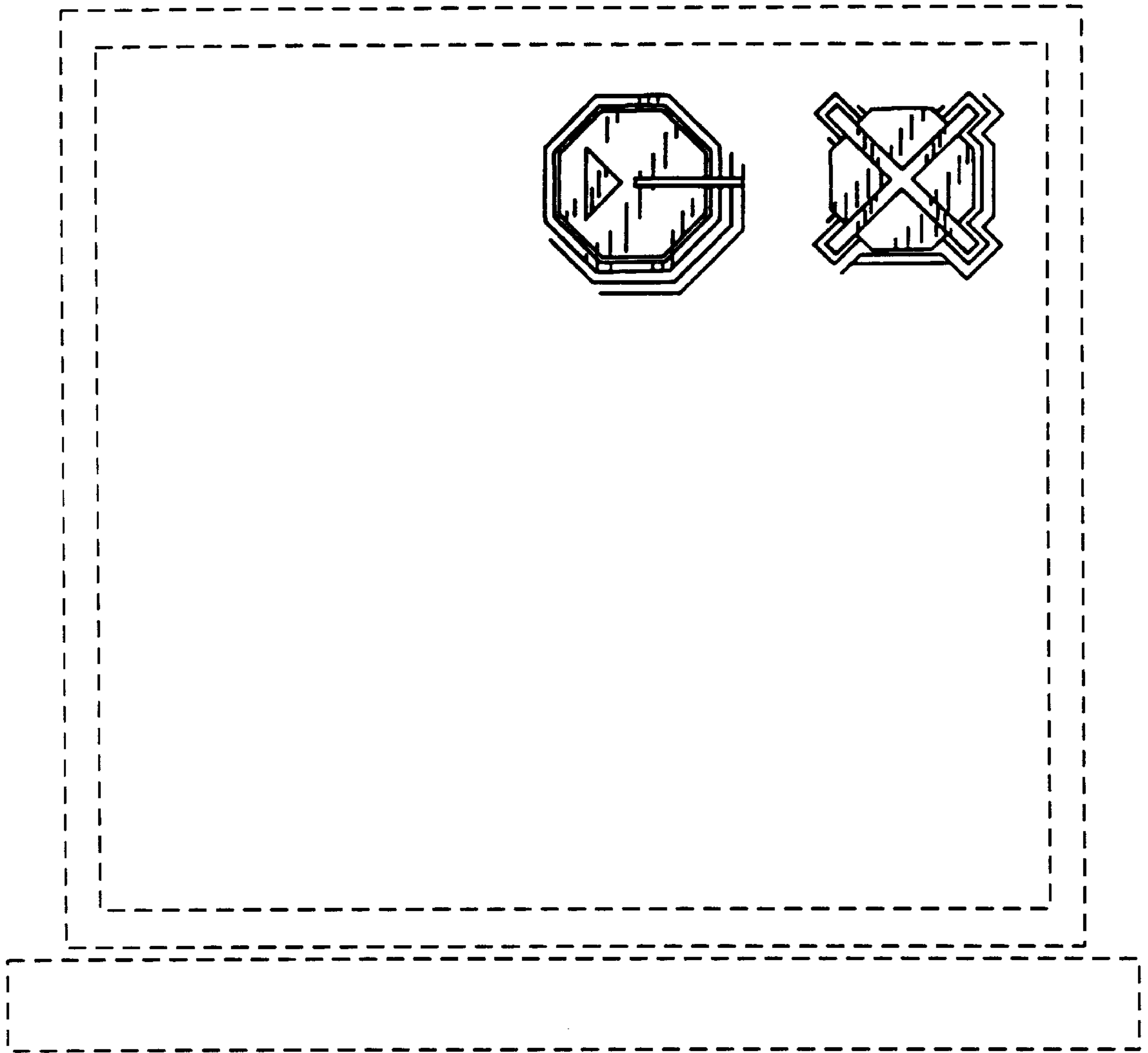


FIG. 2