



US00D406123S

United States Patent [19] Hodgson

[11] **Patent Number: Des. 406,123**
[45] **Date of Patent: **Feb. 23, 1999**

- [54] **SCROLL BAR DESIGN FOR A WINDOW FOR A COMPUTER DISPLAY SCREEN**
- [75] Inventor: **Peter J. Hodgson**, London, Great Britain
- [73] Assignee: **Apple Computer, Inc.**, Cupertino, Calif.
- [**] Term: **14 Years**
- [21] Appl. No.: **72,419**
- [22] Filed: **Jun. 18, 1997**
- [51] **LOC (6) Cl. 14-02**
- [52] **U.S. Cl. D14/114.2**
- [58] **Field of Search** D14/114, 114.1, D14/114.9; D18/24, 27; D10/111; D19/6; 345/326, 339-340, 347-357

- 5,559,942 9/1996 Gough et al. .
- 5,603,034 2/1997 Swanson .
- 5,621,876 4/1997 Odam et al. .
- 5,627,954 5/1997 McFarland .
- 5,644,334 7/1997 Jones et al. .
- 5,675,520 10/1997 Pit, III et al. .

OTHER PUBLICATIONS

Human Interface Guidelines: The Apple Desktop Interface, 1992, pp. 20-27, 40-48, 65-73 and 87-88.
 Microsoft Windows 3.1 Users Guide, 1992, Microsoft, pp. 3, 13 and 14.
 Luca Cardelli, "Building User Interfaces by Direct Manipulation", Proceedings of the ACM Siggraph, 1988, pp. 152-166.

Primary Examiner—M. H. Tung
Attorney, Agent, or Firm—Nancy R. Simon

[57] CLAIM

The ornamental design for a scroll bar design for a window for a computer display screen, as shown and described.

DESCRIPTION

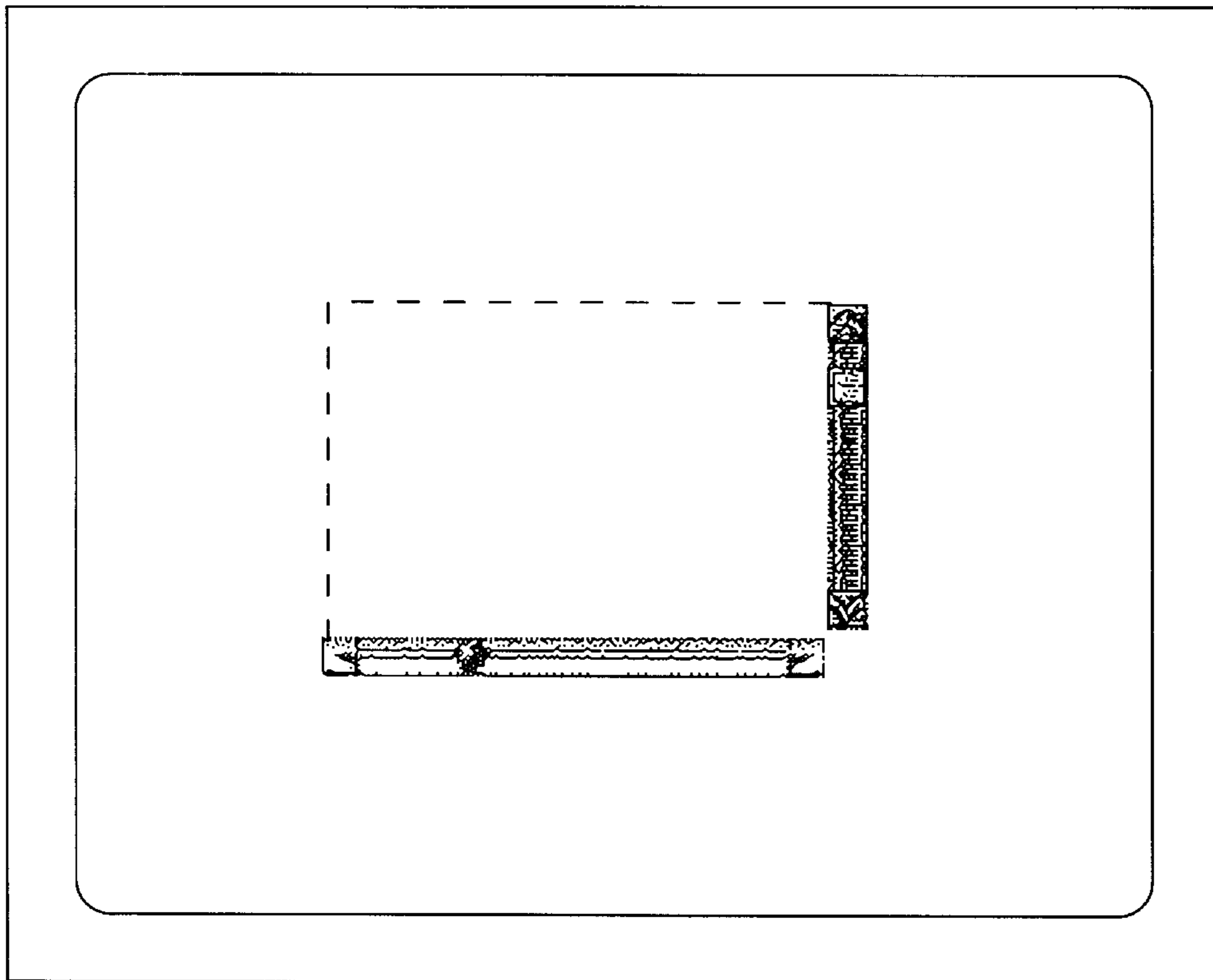
FIG. 1 is a front view of a scroll bar design for a window for a computer display screen;
 FIG. 2 is a front view of a second embodiment thereof; and,
 FIG. 3 is a front view of a third embodiment thereof.
 The broken line drawing of a window border in figure views 1 through 3 is for illustrative purposes only and forms no part of the claimed design.

1 Claim, 3 Drawing Sheets

[56] References Cited

U.S. PATENT DOCUMENTS

- D. 296,114 6/1988 Wells-Papanek et al. .
- D. 297,243 8/1988 Wells-Papanek et al. .
- D. 391,947 3/1998 Faris et al. D14/114.2
- D. 392,963 3/1998 Coleman D14/114.2
- D. 393,635 4/1998 Coleman D14/114.2
- 5,202,961 4/1993 Mills et al. .
- 5,371,844 12/1994 Andrew et al. .
- 5,388,202 2/1995 Squires et al. .
- 5,450,540 9/1995 Spohrer et al. .
- 5,469,540 11/1995 Powers, III et al. .
- 5,537,529 7/1996 Borovoy et al. .



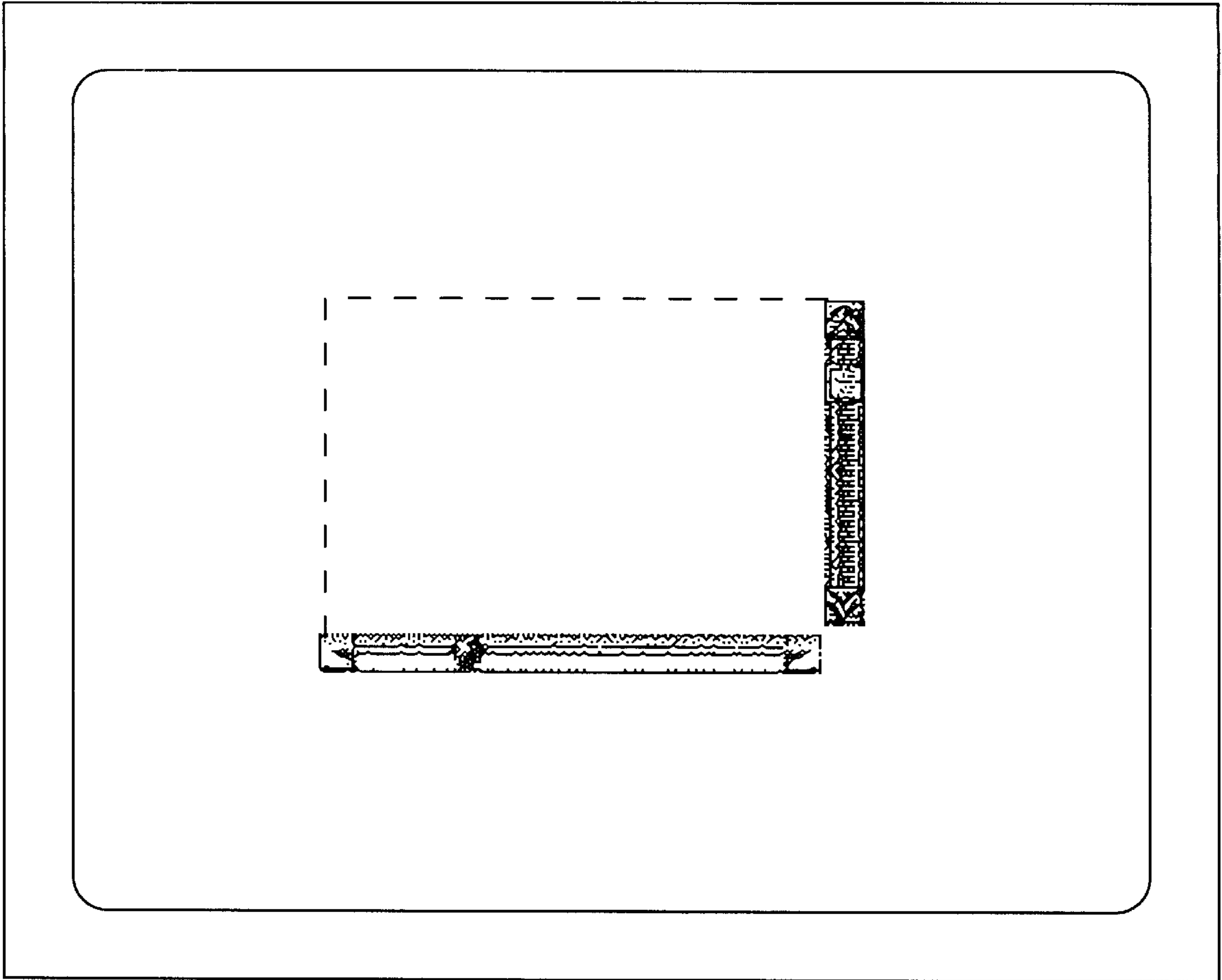


FIG. 1

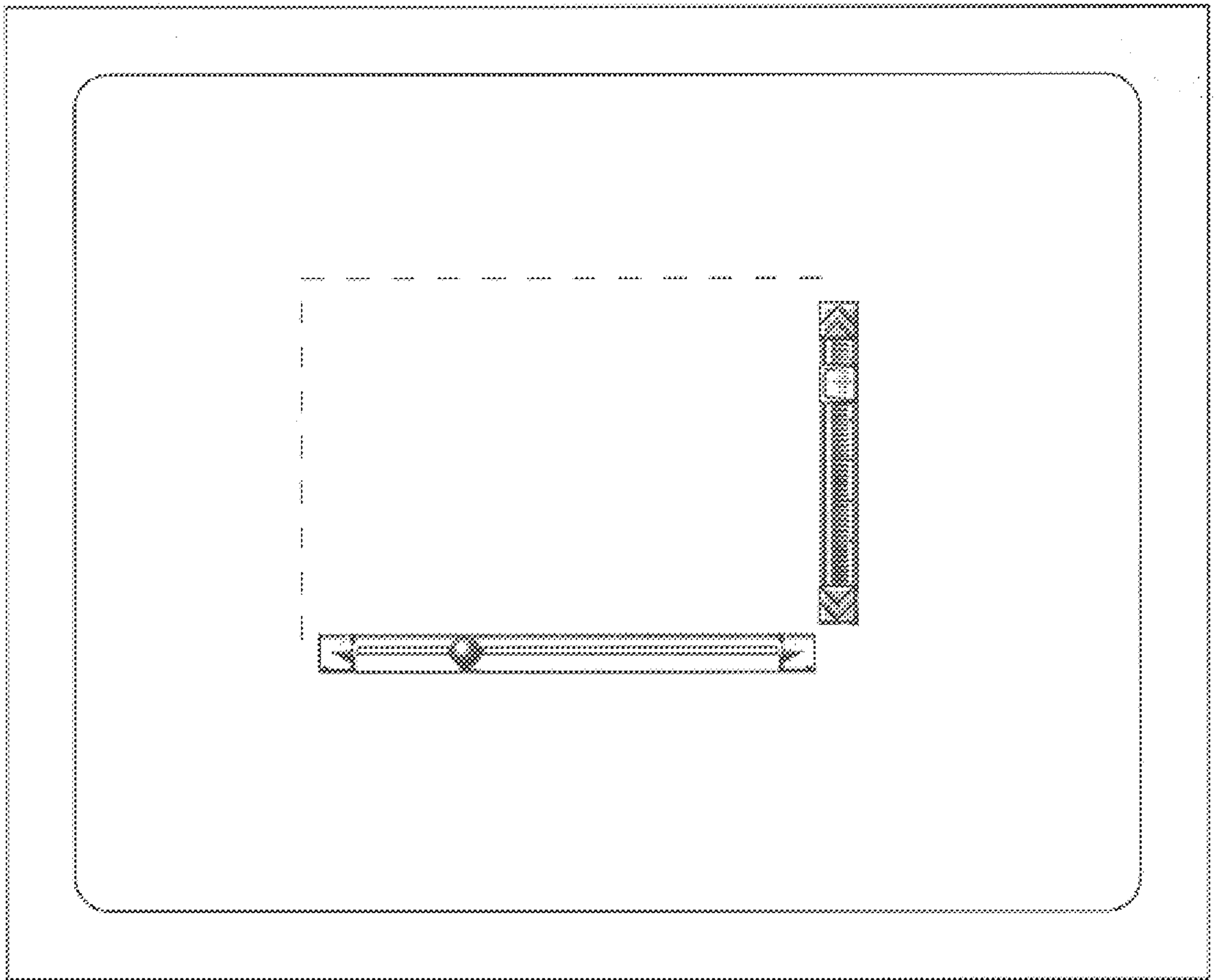


FIG. 2

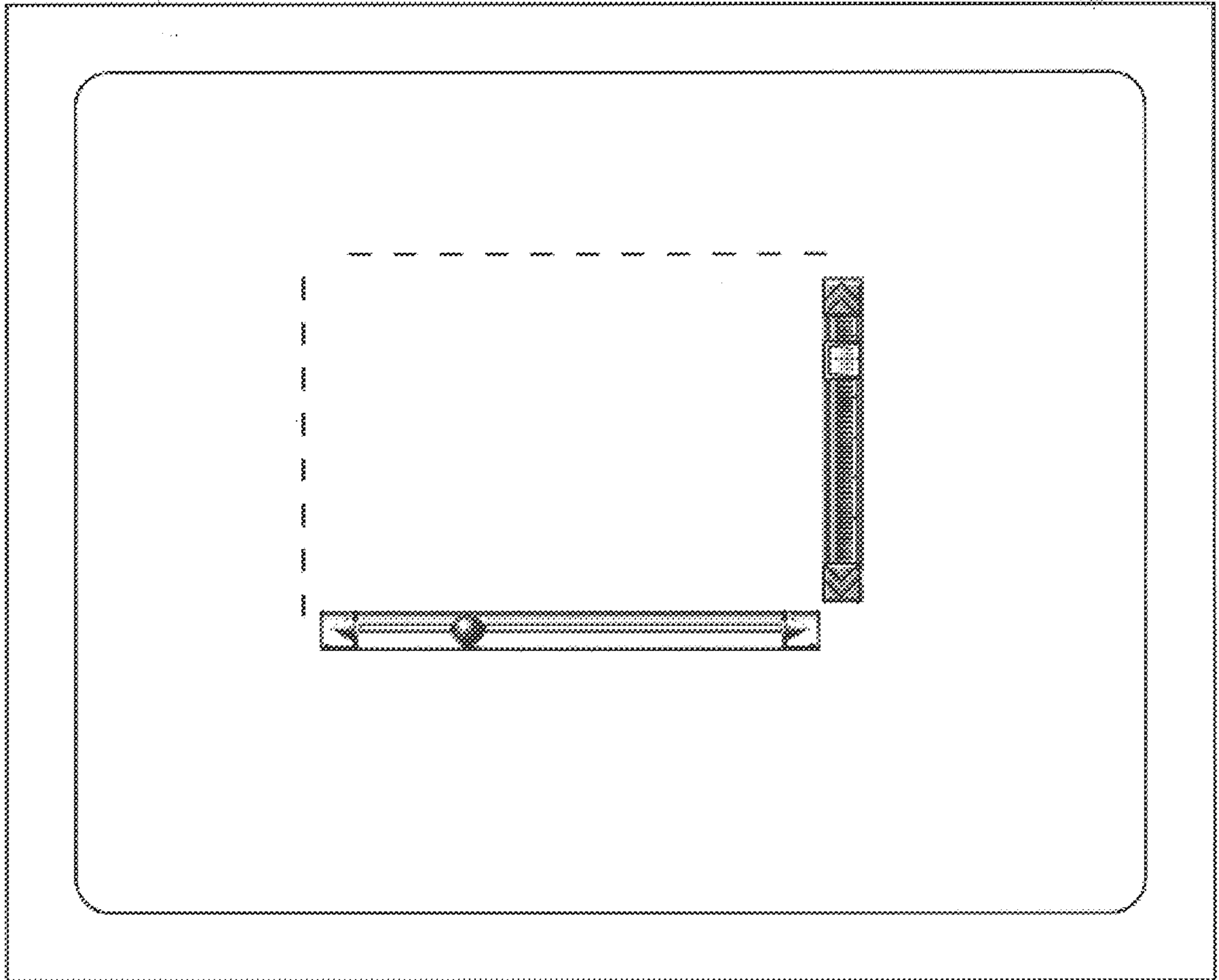


FIG. 3