



US00D406112S

United States Patent [19]

Hargroves et al.

[11] **Patent Number: Des. 406,112**

[45] **Date of Patent: **Feb. 23, 1999**

[54] **HEAT SINK**

D. 376,132 12/1996 Orton D13/179
5,367,193 11/1994 Malladi 257/707

[75] Inventors: **Curtis L. Hargroves**, Double Oak;
David Wayne Lambeth, McKinney,
both of Tex.

Primary Examiner—Alan P. Douglas
Assistant Examiner—Lavone D. Tabor
Attorney, Agent, or Firm—Locke Purnell Rain Harrell

[73] Assignee: **DSC Communications Corporation**,
Plano, Tex.

[57] **CLAIM**

[**] Term: **14 Years**

The ornamental design for “heat sink”, as shown and described.

[21] Appl. No.: **85,313**

DESCRIPTION

[22] Filed: **Mar. 20, 1998**

FIG. 1 is a perspective view of a heat sink showing our new design;

[51] **LOC (6) Cl.** **13-03**

[52] **U.S. Cl.** **D13/179**

[58] **Field of Search** D13/179; 165/80.3,
165/185; 174/16.3; 257/706, 707, 722;
361/702–704, 709, 710

FIG. 2 is a is an end elevational view thereof, the opposite end being a mirror image thereof;

FIG. 3 is a top plan view thereof;

FIG. 4 is a side elevational view thereof, the opposite side being a mirror image thereof; and,

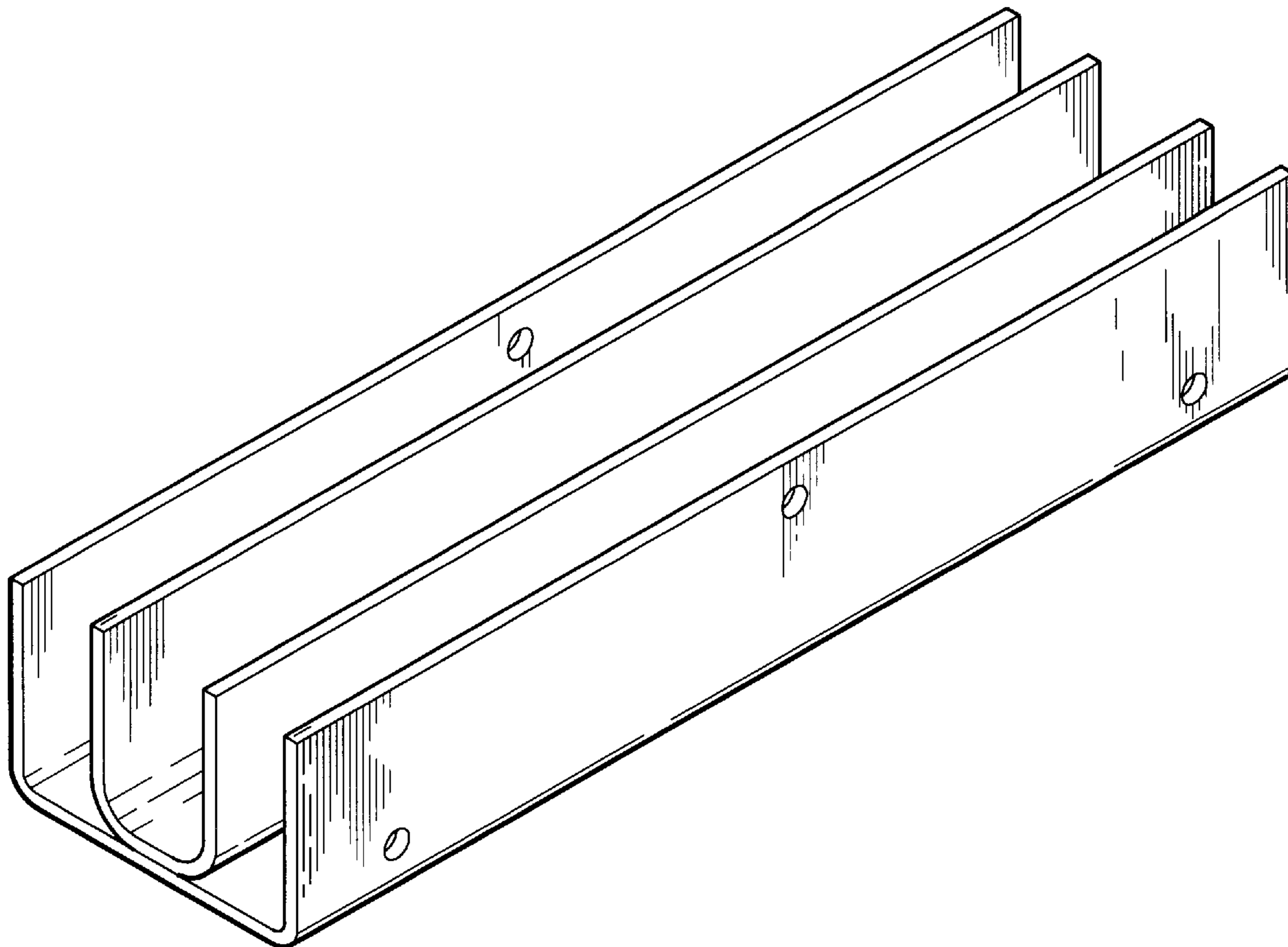
FIG. 5 is a bottom plan view thereof.

[56] **References Cited**

U.S. PATENT DOCUMENTS

D. 277,748 2/1985 McCarthy D13/179

1 Claim, 1 Drawing Sheet



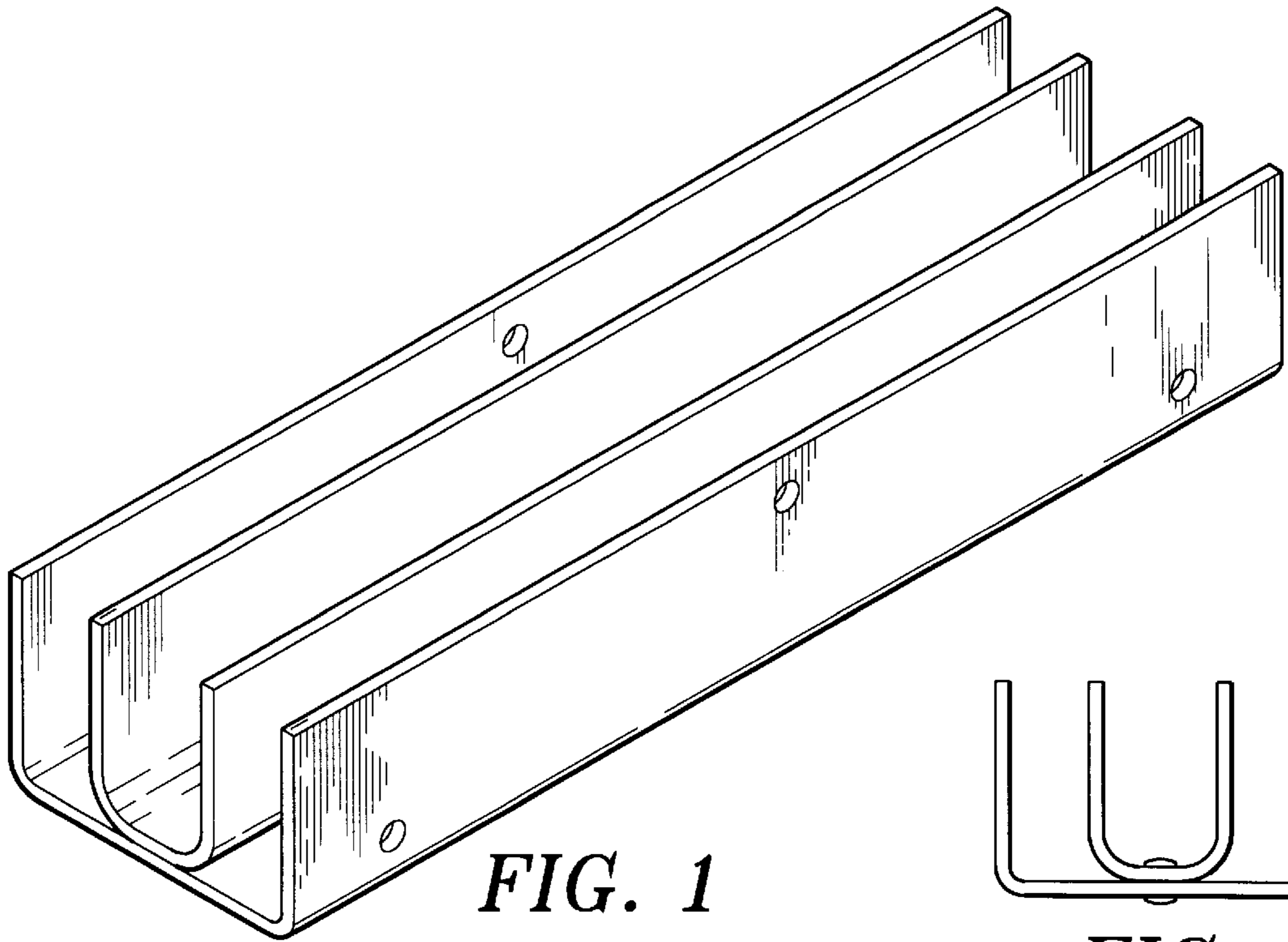


FIG. 1

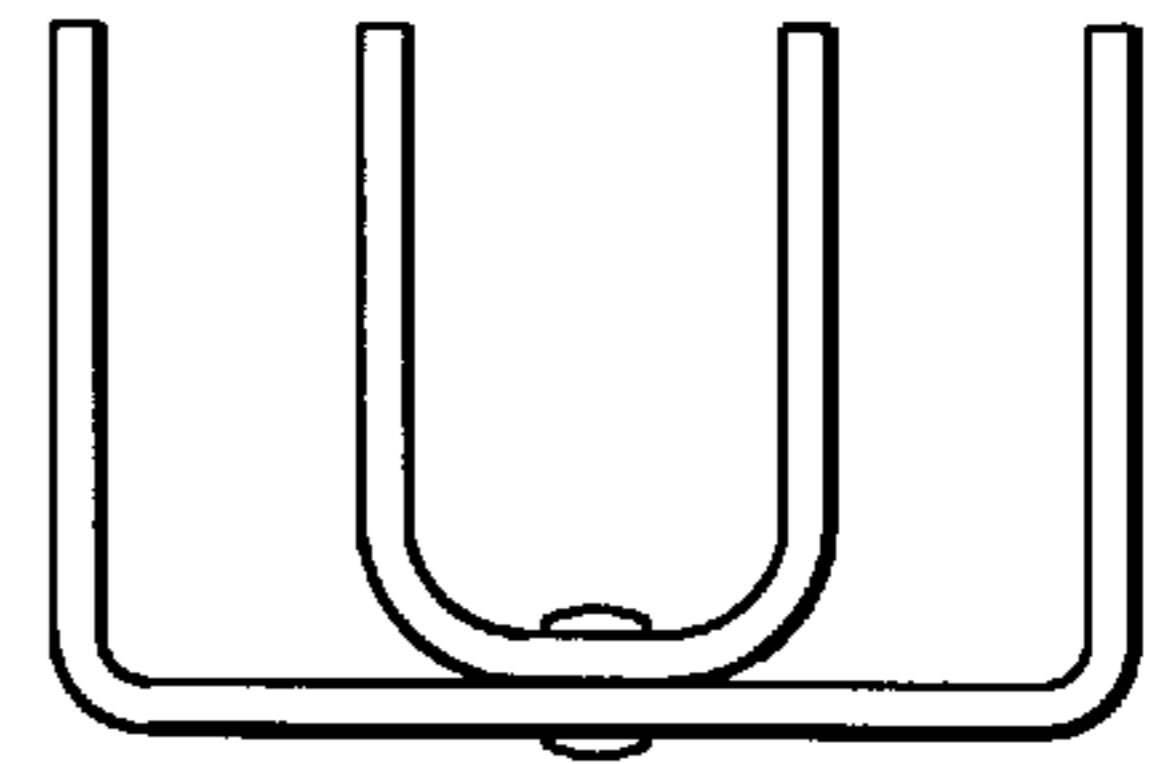


FIG. 2

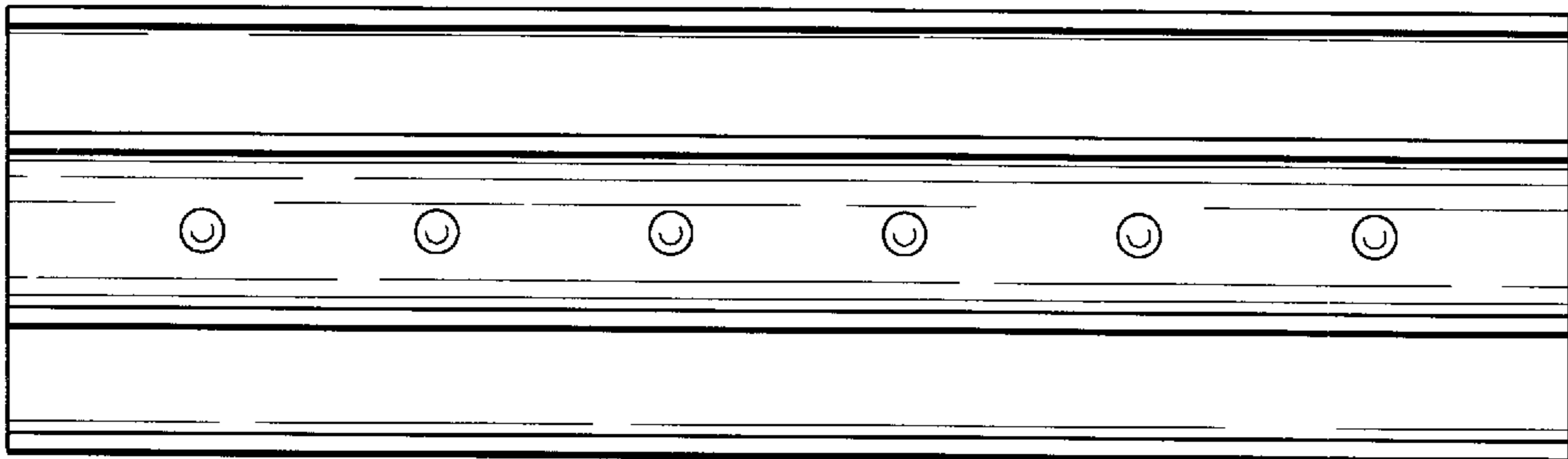


FIG. 3

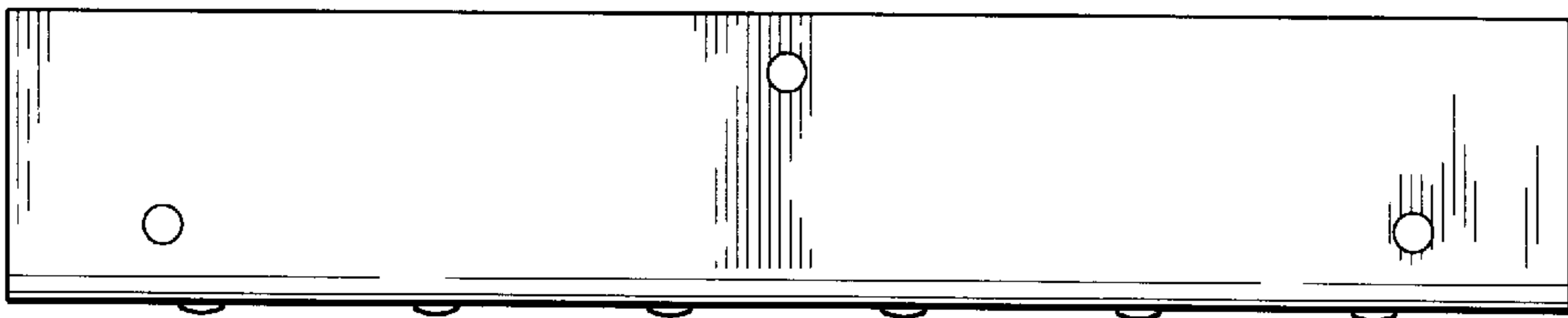


FIG. 4

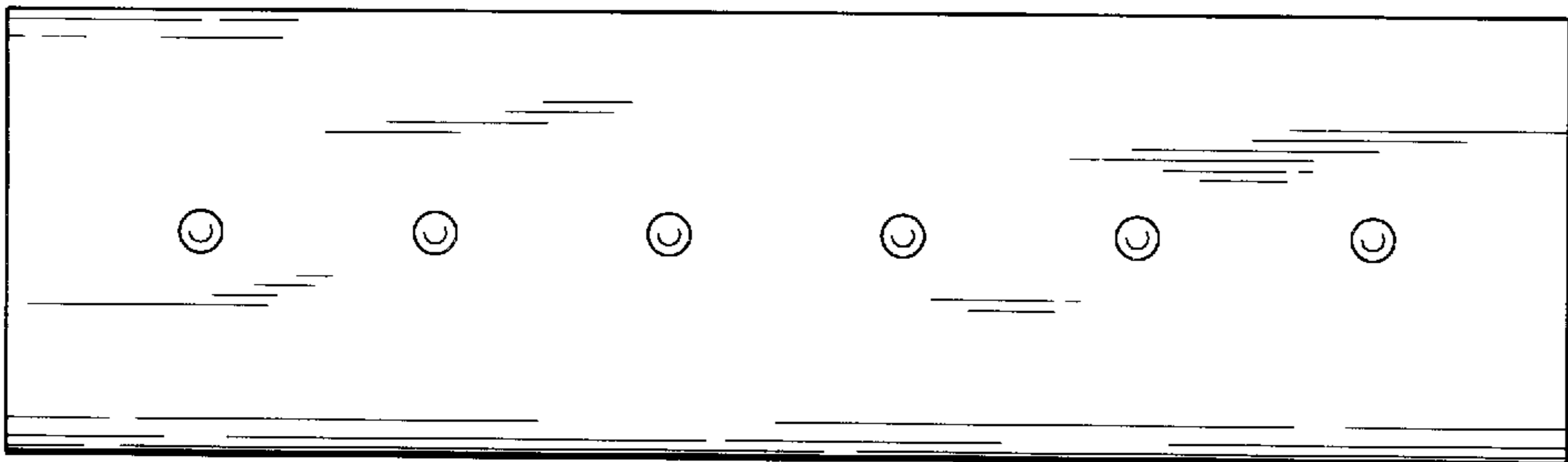


FIG. 5